



US00D383176S

# United States Patent [19]

[11] Patent Number: **Des. 383,176**

Rasmussen et al.

[45] Date of Patent: **\*\*Sep. 2, 1997**

[54] **TOY BUILDING ELEMENT**

[75] Inventors: **Kenn Rasmussen**, Frederiksberg; **Niels Øhrwald**, Helsingør; **Jan Egholm Jørgensen**, Søborg, all of Denmark

[73] Assignee: **Interlego AG**, Baar, Switzerland

[\*\*] Term: **14 Years**

[21] Appl. No.: **59,843**

[22] Filed: **Sep. 17, 1996**

[51] LOC (6) Cl. .... **21-01**

[52] U.S. Cl. .... **D21/108**

[58] **Field of Search** ..... D21/108, 123, D21/121; D6/477, 479, 470; 446/85, 88, 93, 102, 104, 108-111, 120-121, 124-126, 128, 479, 482

[56] **References Cited**

**U.S. PATENT DOCUMENTS**

- D. 350,787 9/1994 Hojlund et al. .... D21/108
- D. 351,006 9/1994 Nielsen et al. .... D21/108

- D. 352,747 11/1994 Hojlund et al. .... D21/108
- D. 357,829 5/1995 Lanza ..... D6/477
- D. 360,908 8/1995 Ruzskai ..... D21/108
- D. 367,190 2/1996 Berry, Jr. et al. .... D6/470
- D. 368,814 4/1996 Riback et al. .... D6/479
- 5,154,656 10/1992 Milstein ..... 446/125

*Primary Examiner*—Raphael Barkai  
*Attorney, Agent, or Firm*—Kane, Dalsimer, Sullivan, Kurucz, Levy, Eisele and Richard, LLP

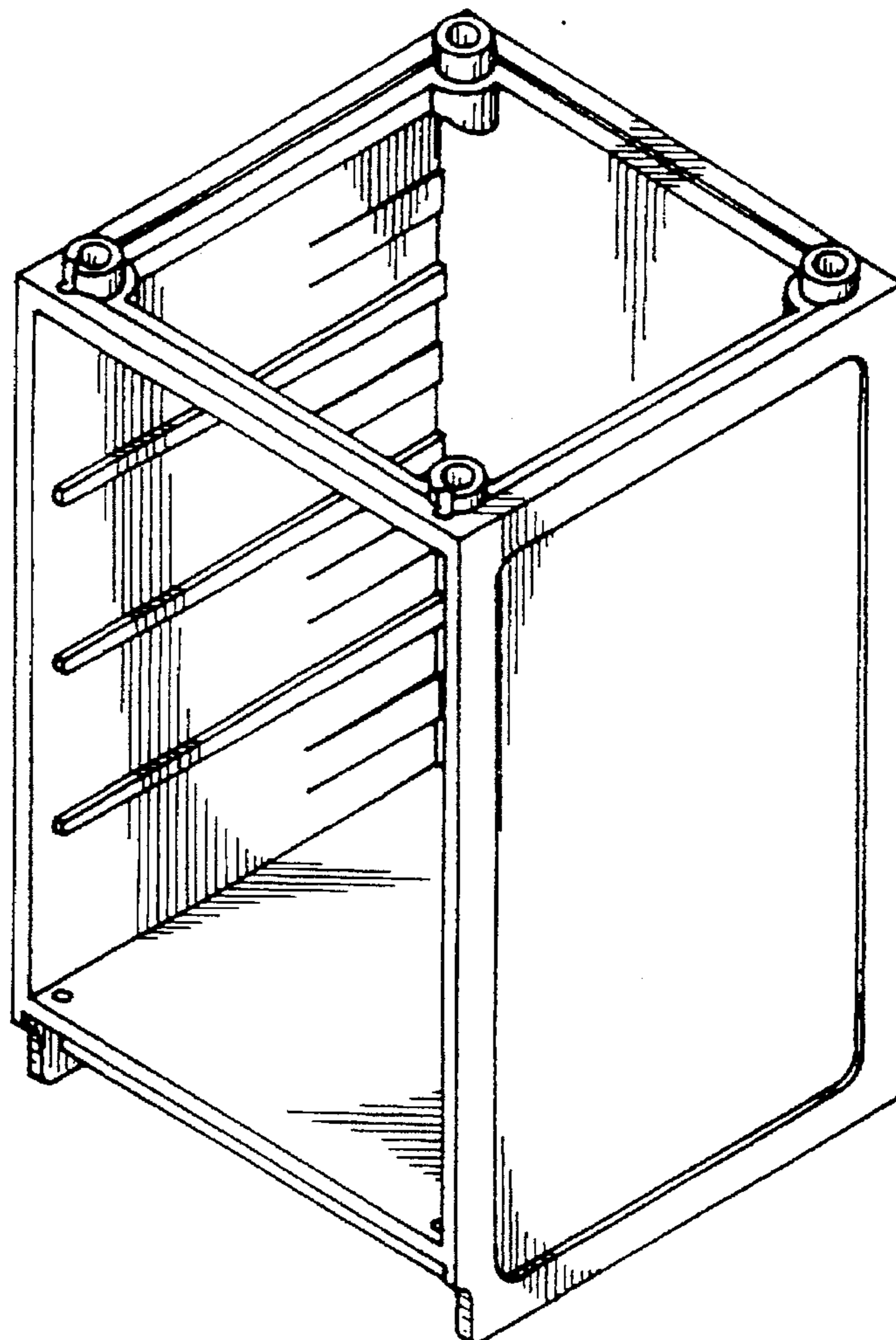
[57] **CLAIM**

The ornamental design for a toy building element, as shown and described.

**DESCRIPTION**

FIG. 1 is a top perspective view of the toy building element; FIG. 2 is a front elevational view thereof; FIG. 3 is a left side elevational view thereof; FIG. 4 is a right side elevational view thereof; FIG. 5 is a rear elevational view thereof; FIG. 6 is a bottom plan view thereof; and, FIG. 7 is a top plan view thereof.

**1 Claim, 2 Drawing Sheets**



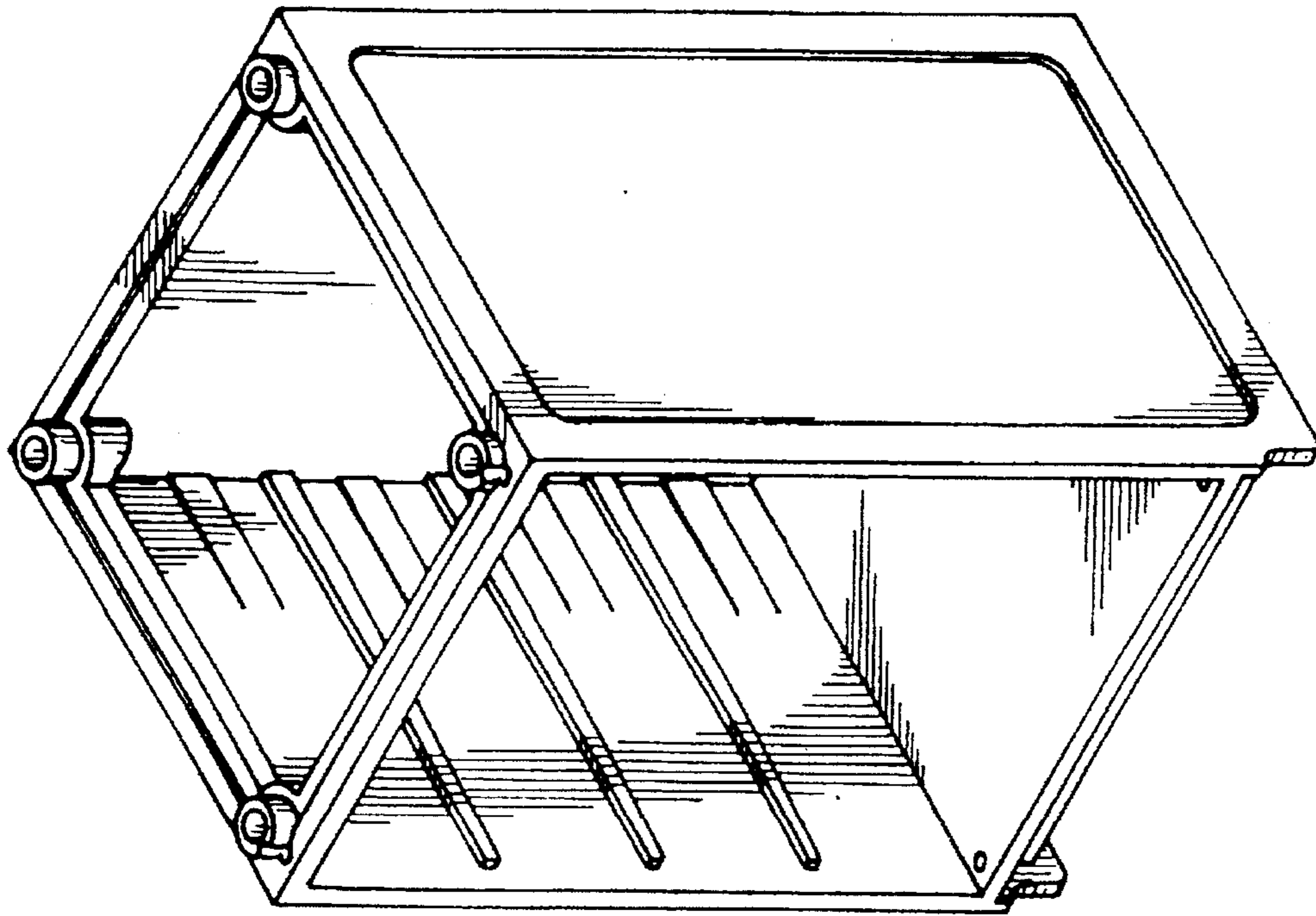


FIG. 1

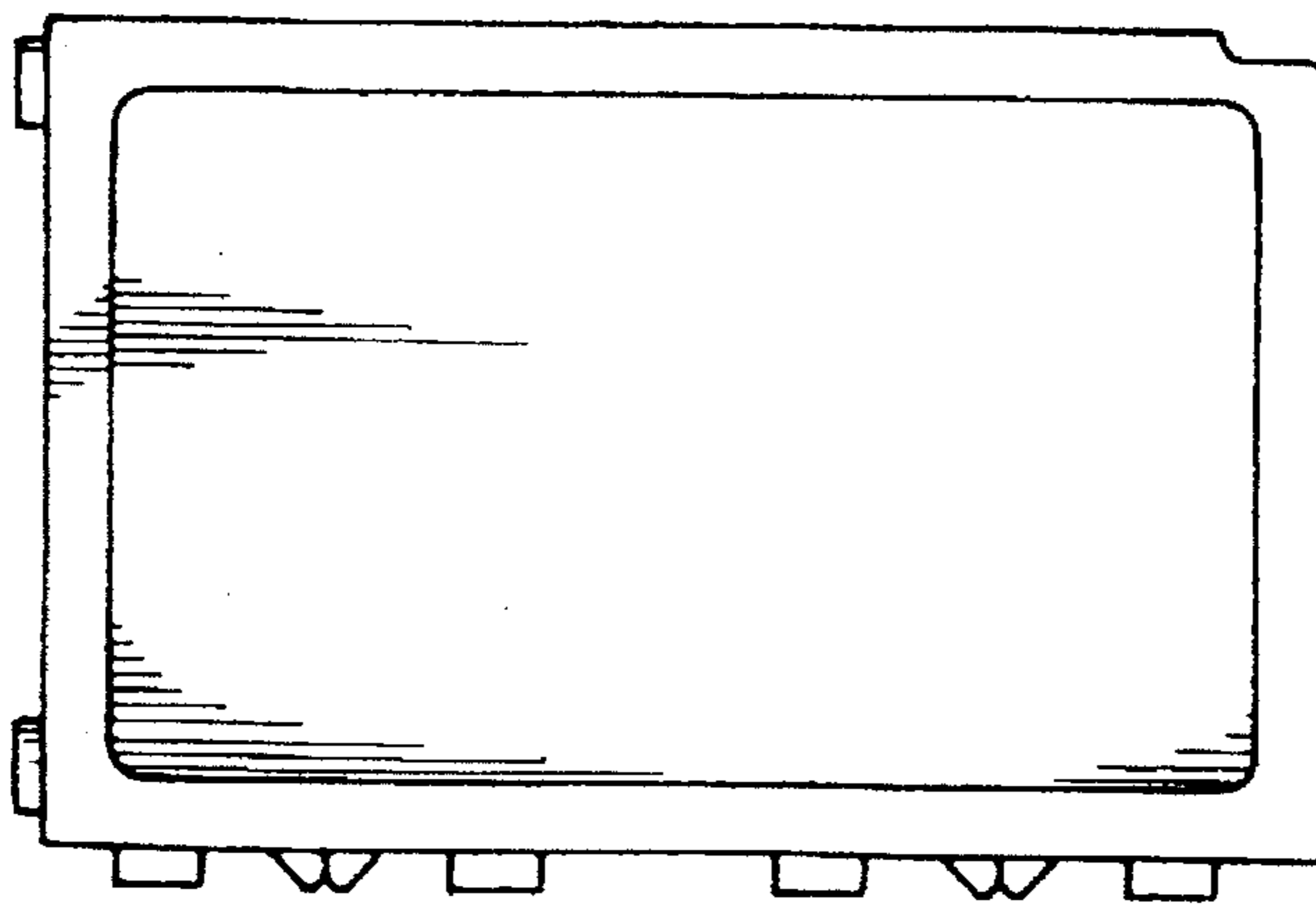


FIG. 3

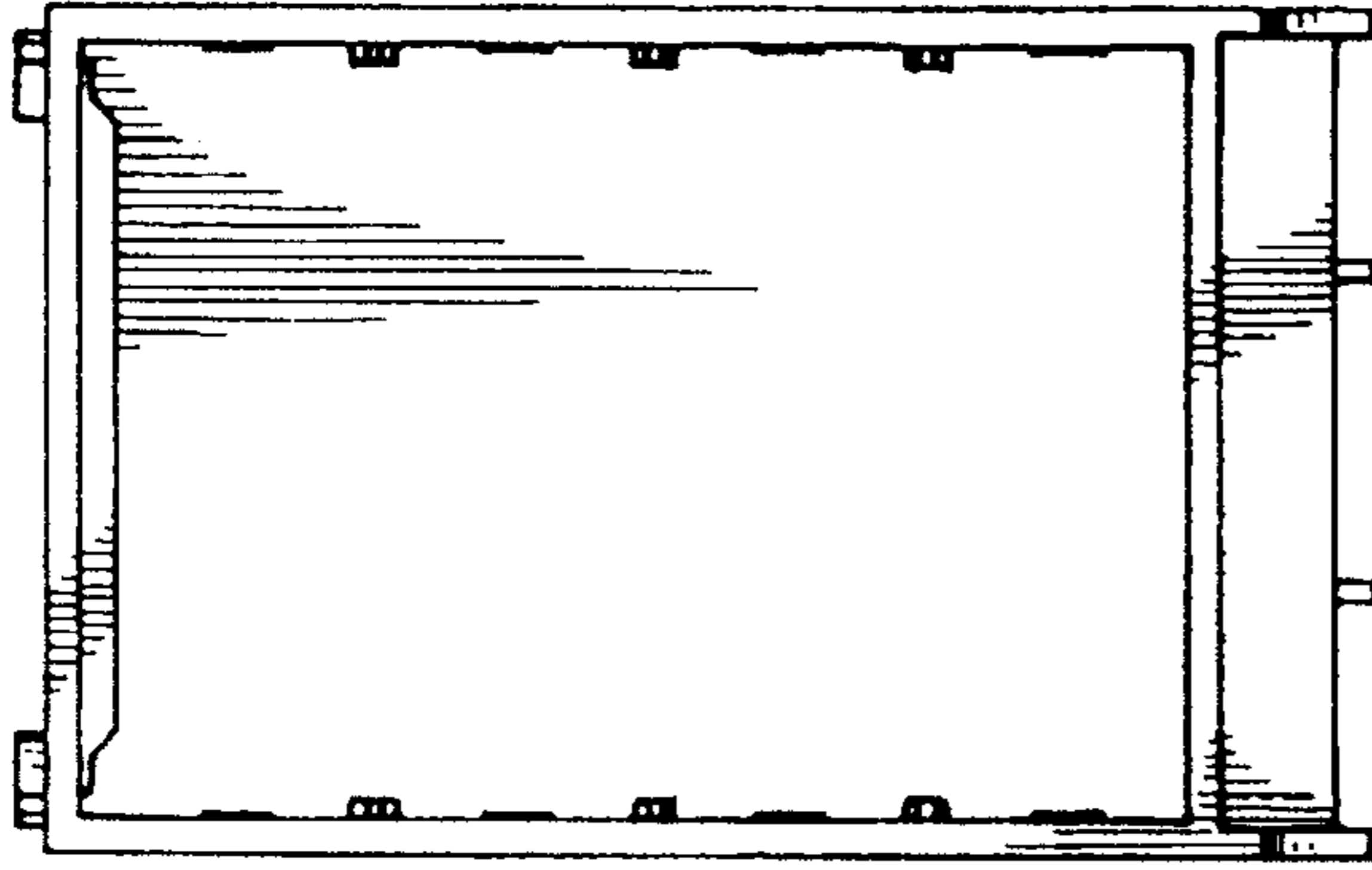


FIG. 2

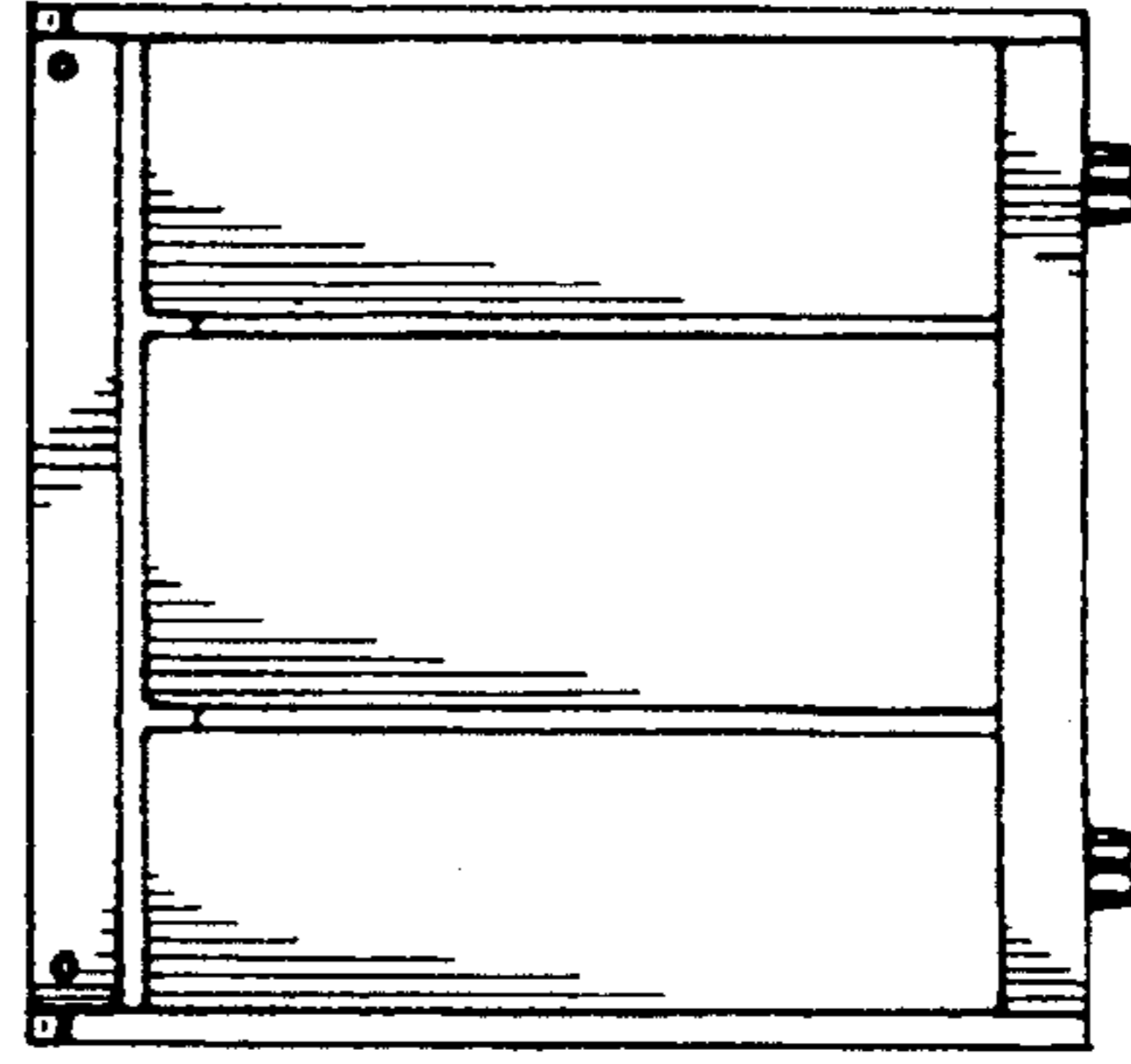


FIG. 6

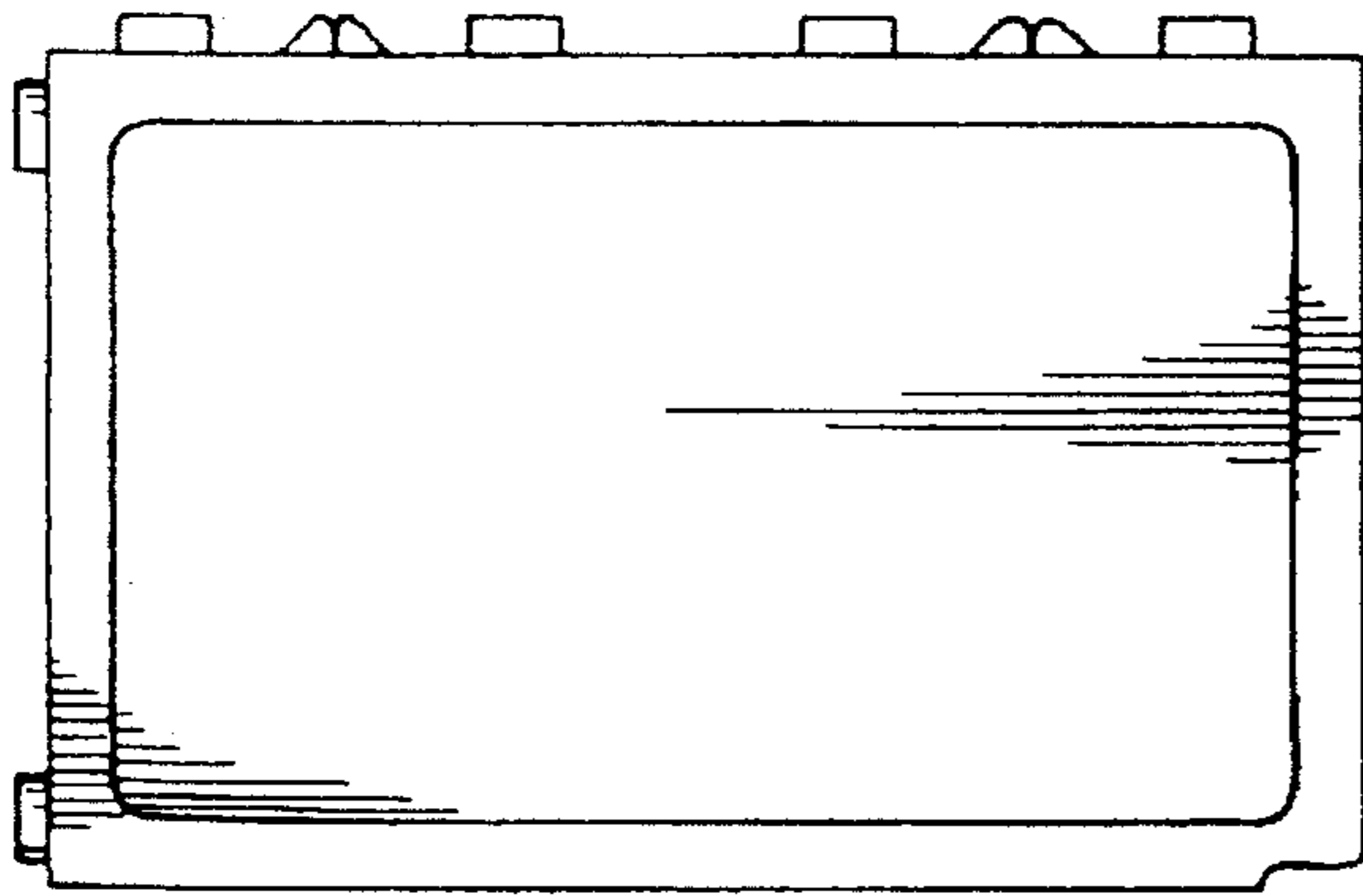


FIG. 4

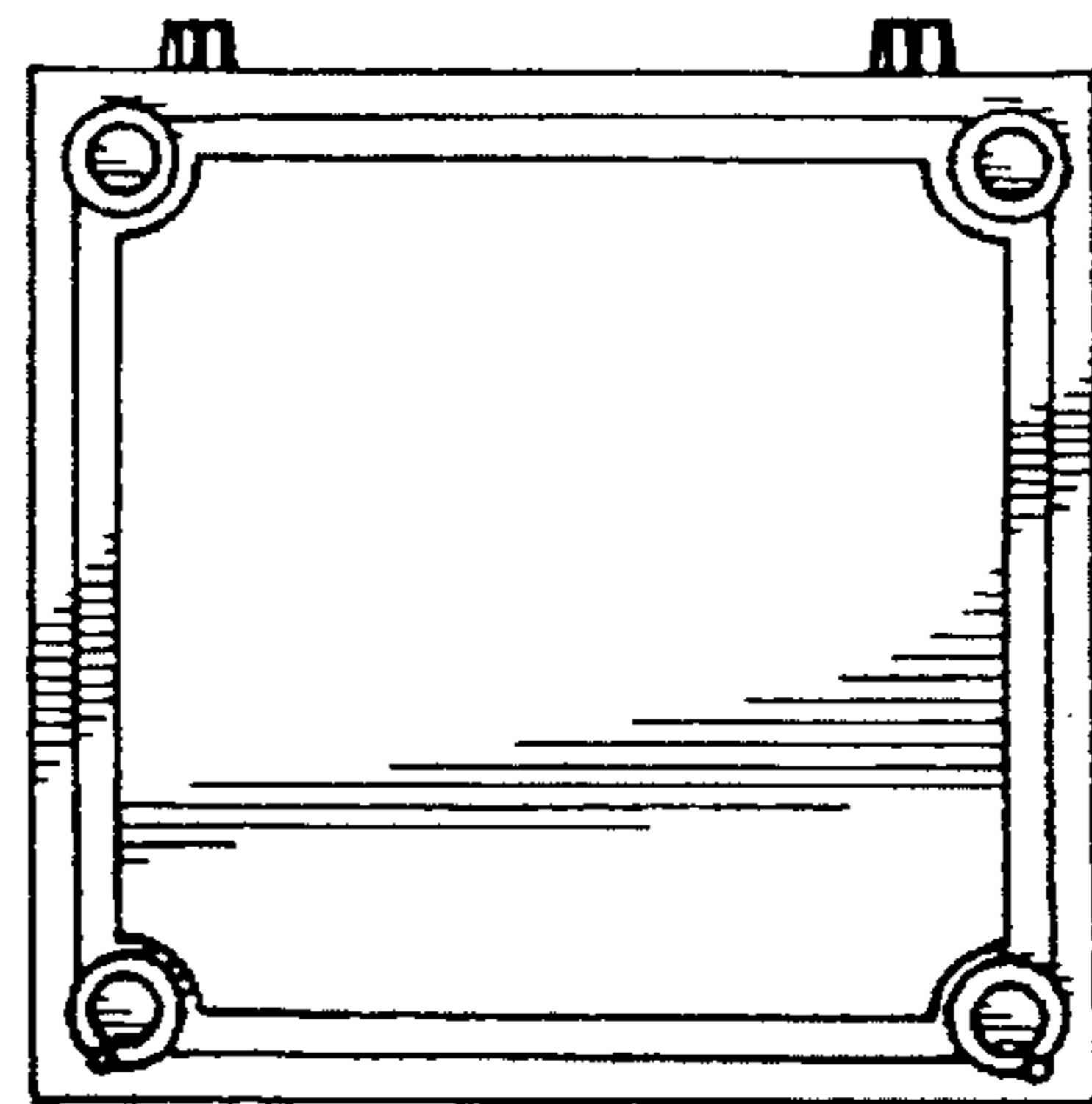


FIG. 7

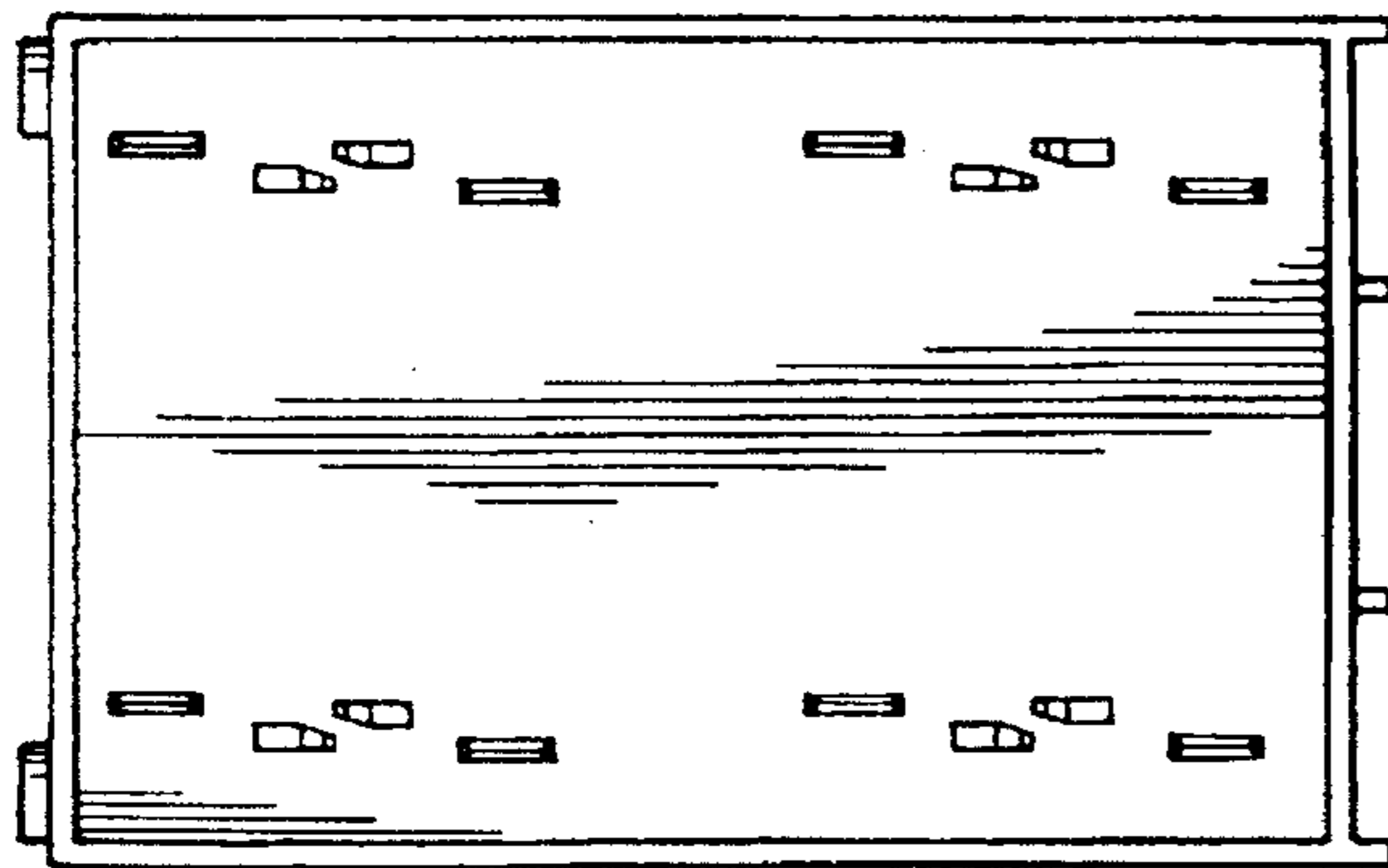


FIG. 5