



US00D383169S

United States Patent [19]
Shinzato

[11] **Patent Number:** **Des. 383,169**
[45] **Date of Patent:** ****Sep. 2, 1997**

[54] **SIMULATION GAME MACHINE**
[75] **Inventor:** **Yasunobu Shinzato**, Tokyo, Japan
[73] **Assignee:** **Sega Enterprises, Ltd.**, Tokyo, Japan
[**] **Term:** **14 Years**

3,960,380 6/1976 Yokoi 463/50
5,114,157 5/1992 Kita 463/46 X
5,221,083 6/1993 Dote 463/32
5,439,230 8/1995 Mendes, Jr. 463/51 X

[21] **Appl. No.:** **55,696**
[22] **Filed:** **Jun. 11, 1996**
[30] **Foreign Application Priority Data**
Dec. 14, 1995 [JP] Japan 7-37714
[51] **LOC (6) Cl.** **21-01**
[52] **U.S. Cl.** **D21/13**
[58] **Field of Search** D21/13, 48, 1;
463/30-35, 46, 47; 273/148 B; D14/124,
114, 217

OTHER PUBLICATIONS

Sega Enterprises Ltd 1994 Cat.
Vending Times, Apr. 1977, p. 48.

Primary Examiner—Pabhakar G. Deshmukh
Attorney, Agent, or Firm—Michael N. Meller

[56] **References Cited**
U.S. PATENT DOCUMENTS

D. 261,782 11/1981 Muir D21/13 X
D. 280,836 10/1985 Ludzia et al. D21/13
D. 281,085 10/1985 Smyth D21/13 X
2,404,653 7/1946 Plebanek 463/50

[57] **CLAIM**

The ornamental design for a simulation game machine, as shown and described.

DESCRIPTION

FIG. 1 is a perspective view of a simulation game machine showing my new design;
FIG. 2 is a front view thereof;
FIG. 3 is a rear view thereof;
FIG. 4 is a top view thereof;
FIG. 5 is a bottom view thereof;
FIG. 6 is a left side view thereof; and,
FIG. 7 is a right side view thereof.

1 Claim, 3 Drawing Sheets

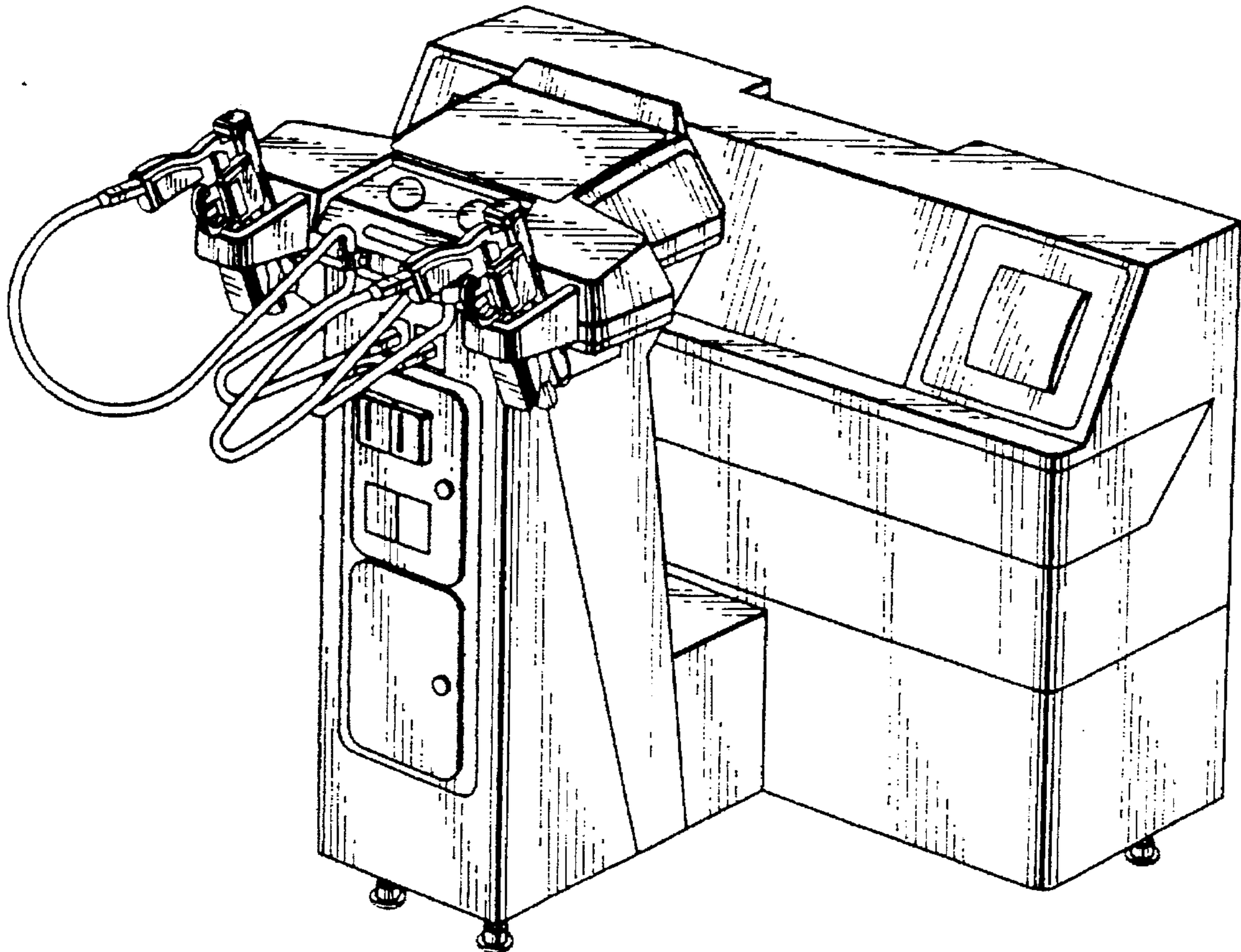


FIG. 1

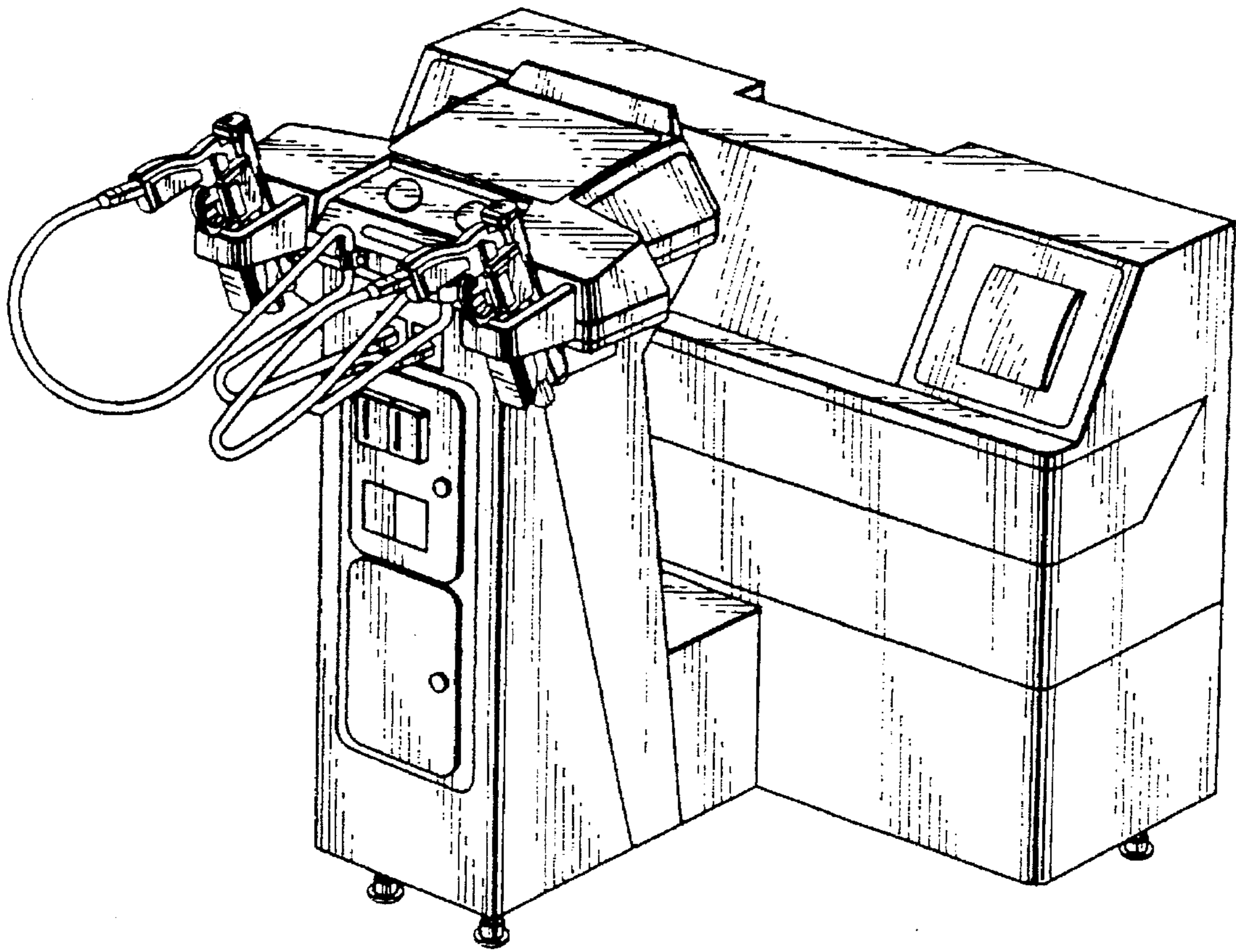


FIG. 2

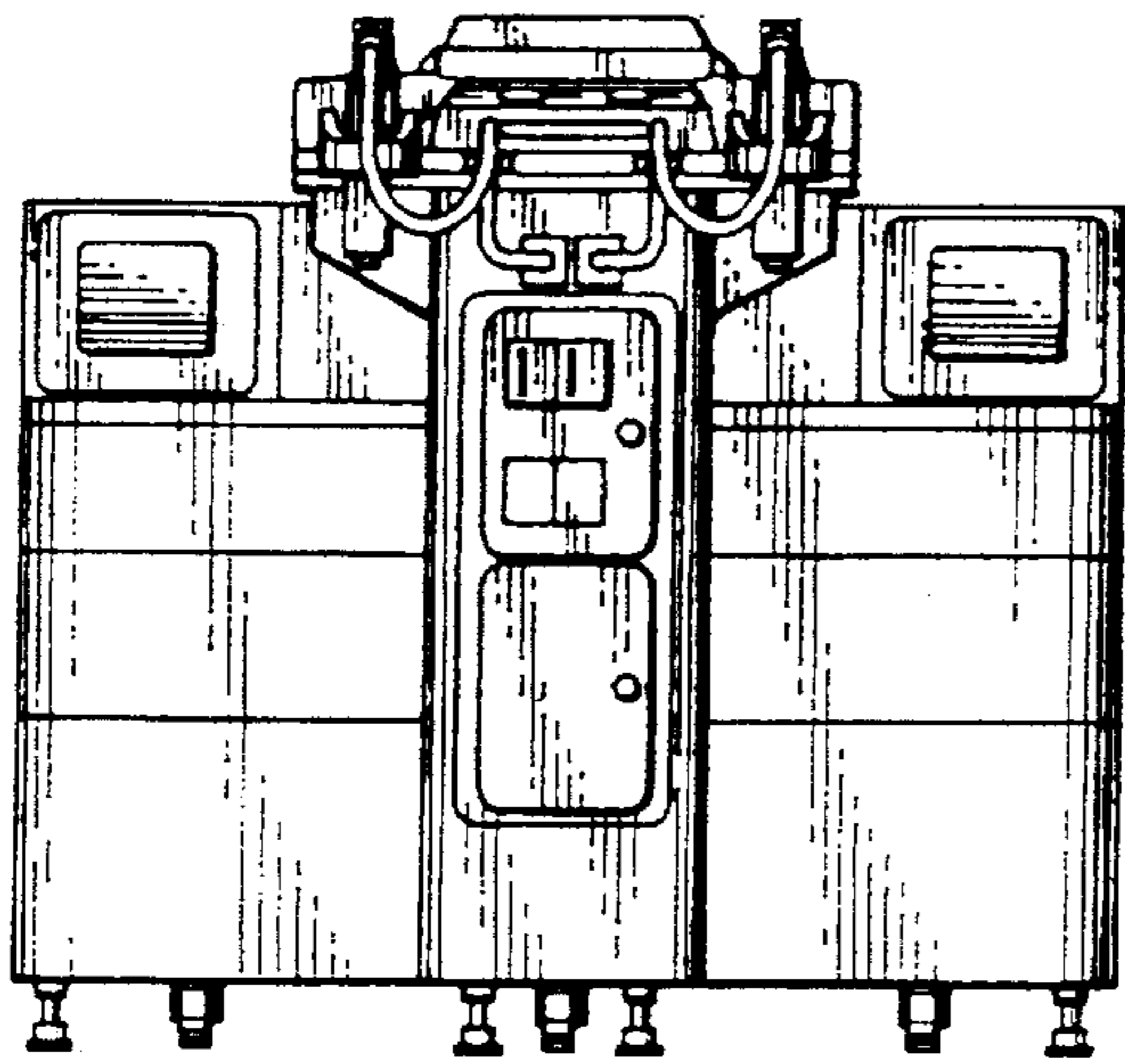


FIG. 3

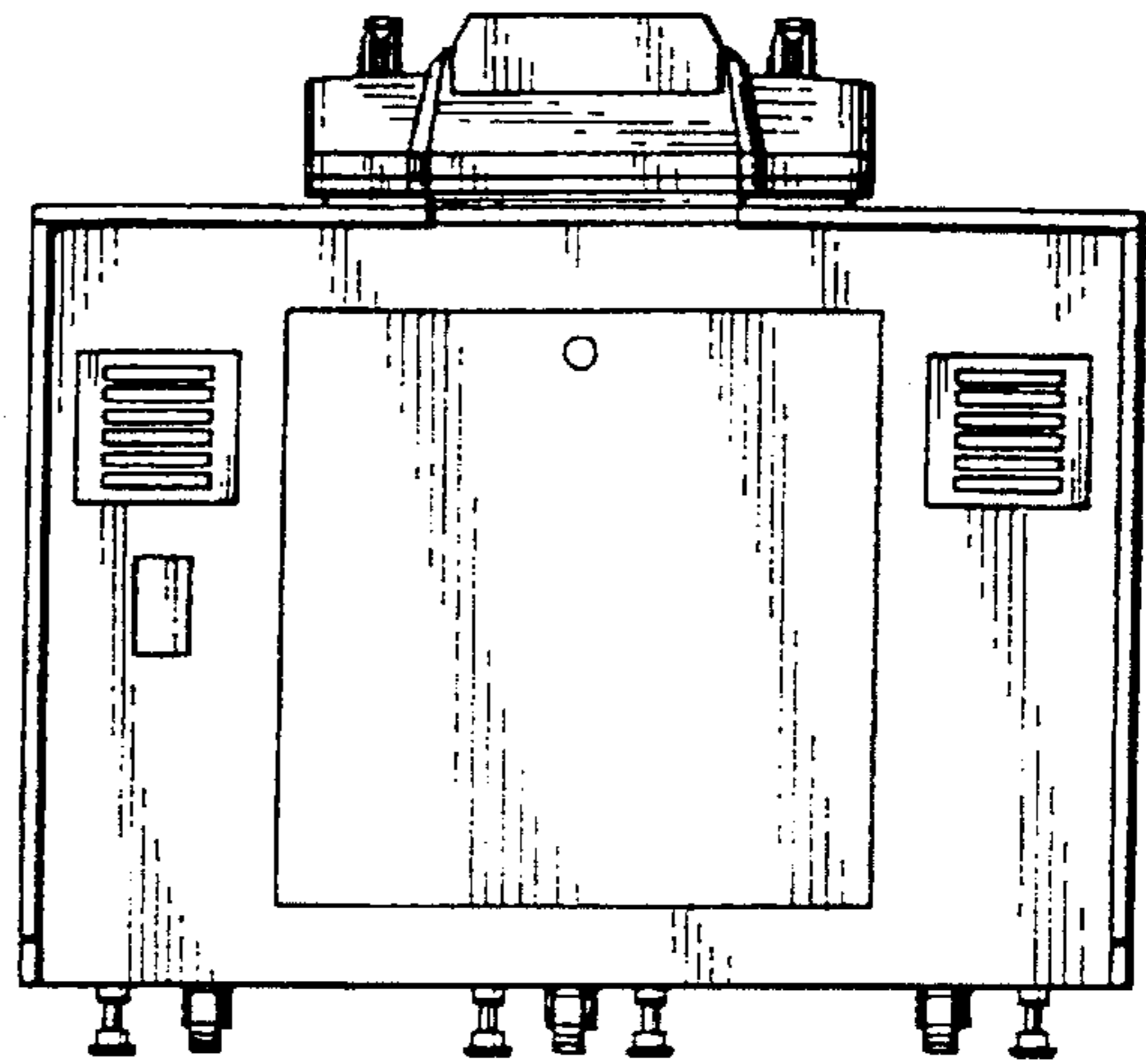


FIG. 4

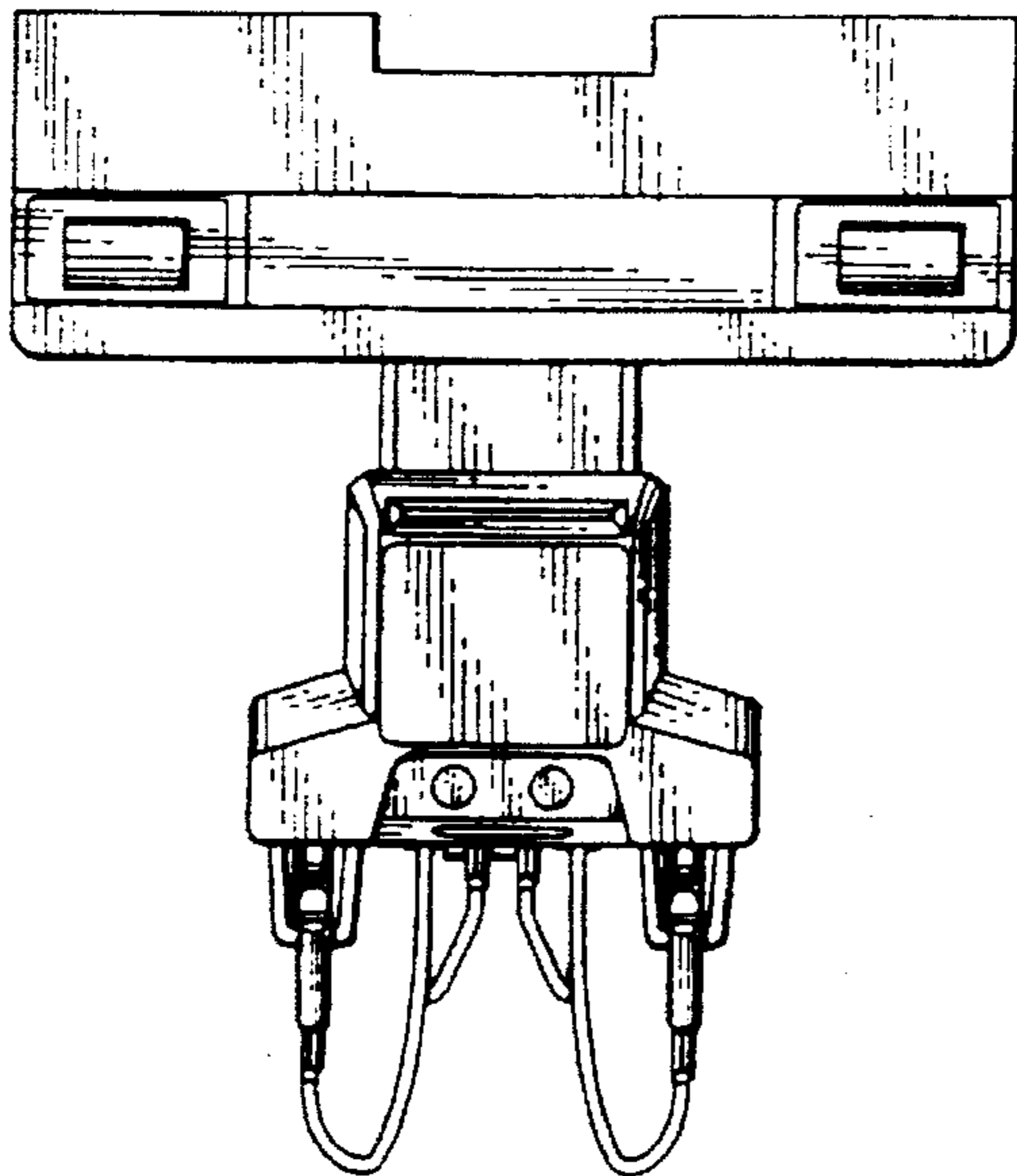


FIG. 5

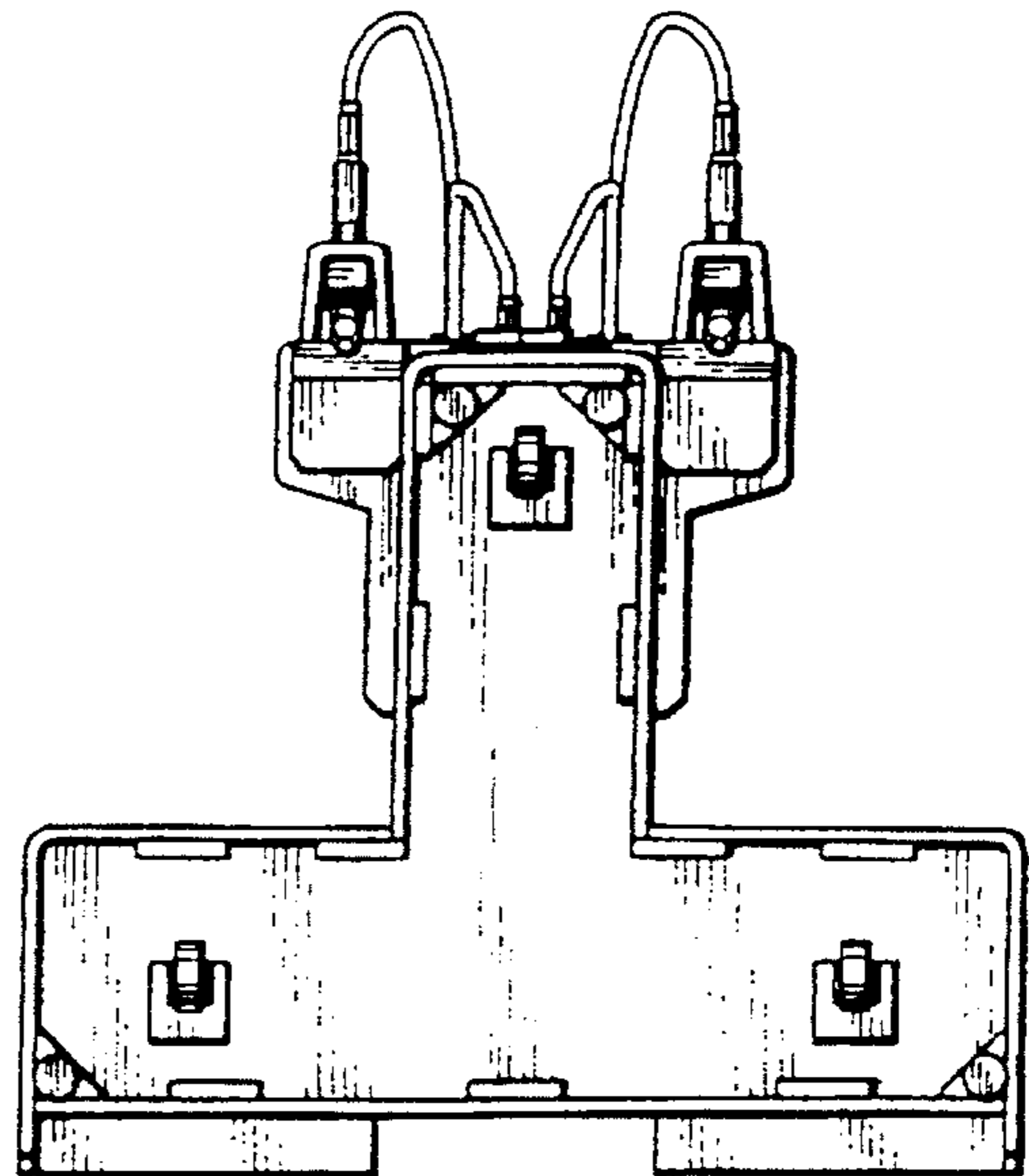


FIG. 6

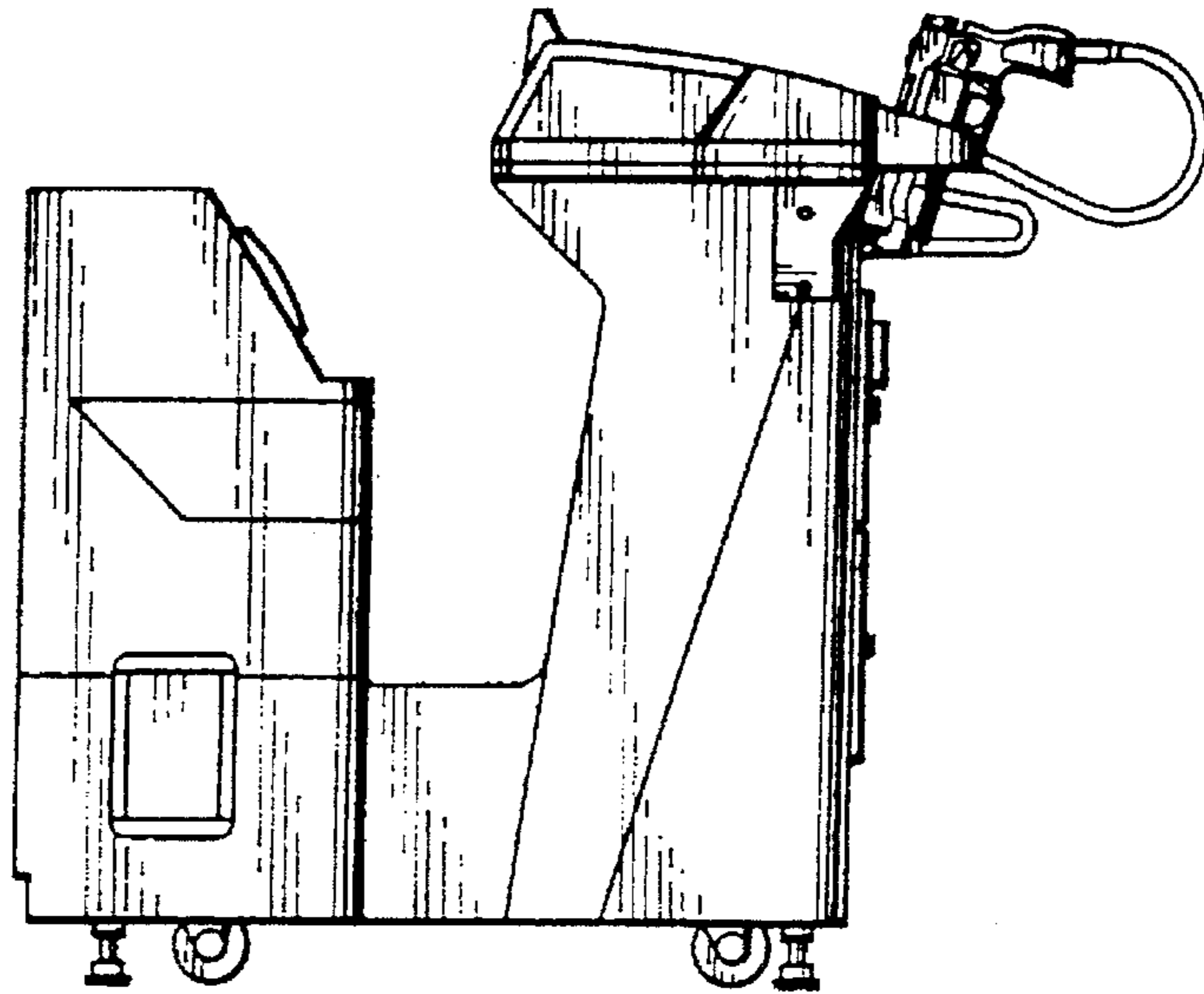


FIG. 7

