



US00D383159S

United States Patent [19]

Yoshikado

[11] Patent Number: **Des. 383,159**

[45] Date of Patent: ****Sep. 2, 1997**

[54] **DUPLEX SHEET HANDLER FOR A PRINTER**

[75] Inventor: **Shoji Yoshikado**, Iwatsuki, Japan

[73] Assignee: **Fuji Xerox Co., Ltd.**, Tokyo, Japan

[**] Term: **14 Years**

[21] Appl. No.: **53,970**

[22] Filed: **May 2, 1996**

[30] Foreign Application Priority Data

Nov. 15, 1995 [JP] Japan 7-34239

[51] LOC (6) Cl. **18-02**

[52] U.S. Cl. **D18/56**

[58] Field of Search D18/56, 12, 43,
D18/46-49; D14/114, 107; 271/3.1, 35,
240

[56] References Cited

U.S. PATENT DOCUMENTS

D. 295,188	4/1988	Yomo	D18/47
4,184,671	1/1980	Sasamori	271/35
4,506,881	3/1985	Hunt et al.	271/3.01
4,666,141	5/1987	Labombarde	271/35
5,014,972	5/1991	Anderson	271/240
5,069,436	12/1991	Lubberts	271/35
5,108,083	4/1992	Russel et al.	271/3.01
5,195,733	3/1993	Takimoto et al.	271/3.01

5,211,386	5/1993	Baba	271/3.01
5,305,995	4/1994	Nakajima et al.	271/3.01
5,348,281	9/1994	Yamada et al.	271/3.01
5,374,052	12/1994	Falsom	271/240
5,532,847	7/1996	Maruyama	271/3.01

FOREIGN PATENT DOCUMENTS

690317	7/1964	Canada	271/35
2000749	1/1979	Germany	271/3.01
3228572	2/1983	Germany	271/3.01
2012537	1/1987	Japan	271/3.01

Primary Examiner—Cathy Anne MacCormac
Attorney, Agent, or Firm—Oliff & Berridge

[57] CLAIM

The ornamental design for a duplex sheet handler for a printer, as shown and described.

DESCRIPTION

FIG. 1 is a perspective view of the top, front and right side of a duplex sheet handler for a printer showing my new design;

FIG. 2 is a front view thereof;

FIG. 3 is a top plan view thereof;

FIG. 4 is a left side view thereof;

FIG. 5 is a right side view thereof;

FIG. 6 is a rear view thereof; and,

FIG. 7 is a bottom view thereof.

1 Claim, 6 Drawing Sheets

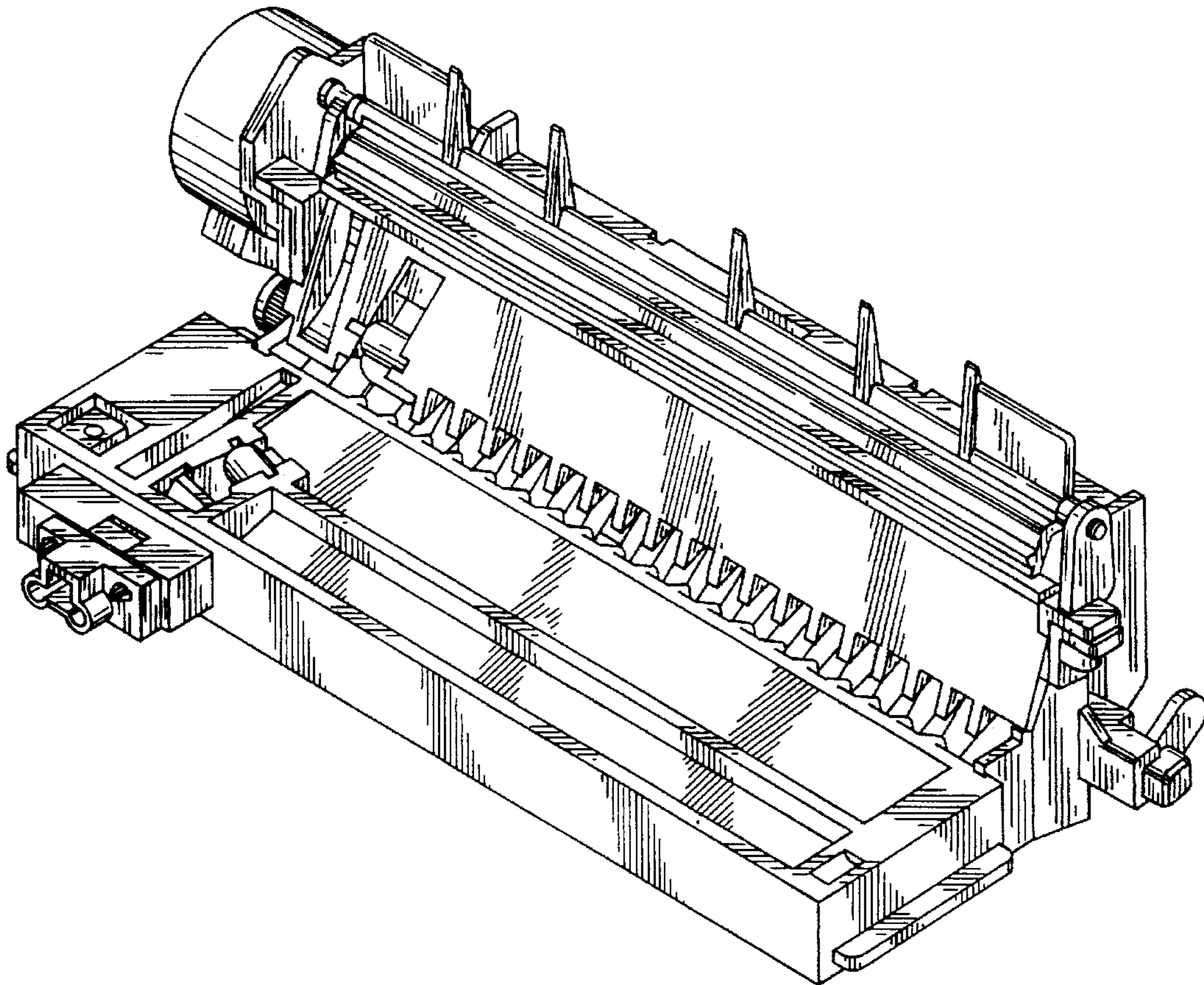


FIG. 1

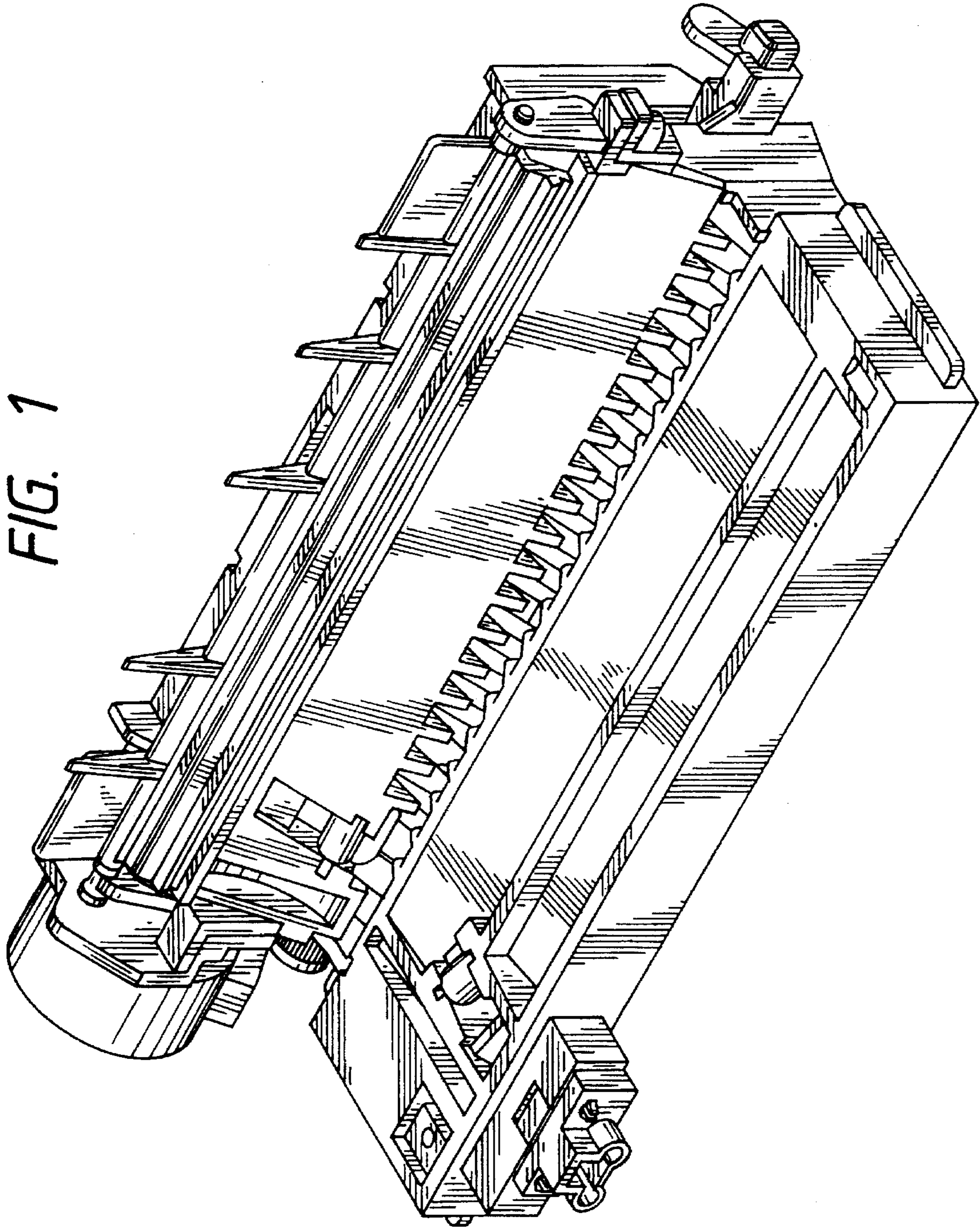


FIG. 2

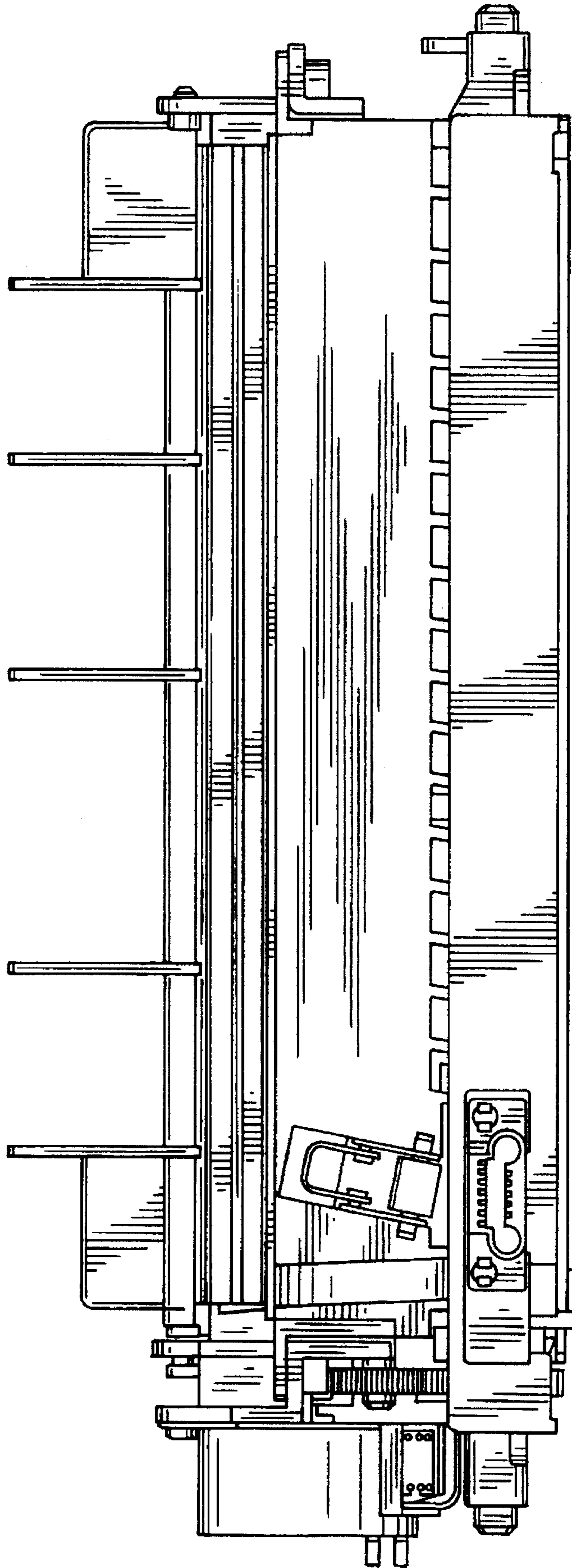


FIG. 3

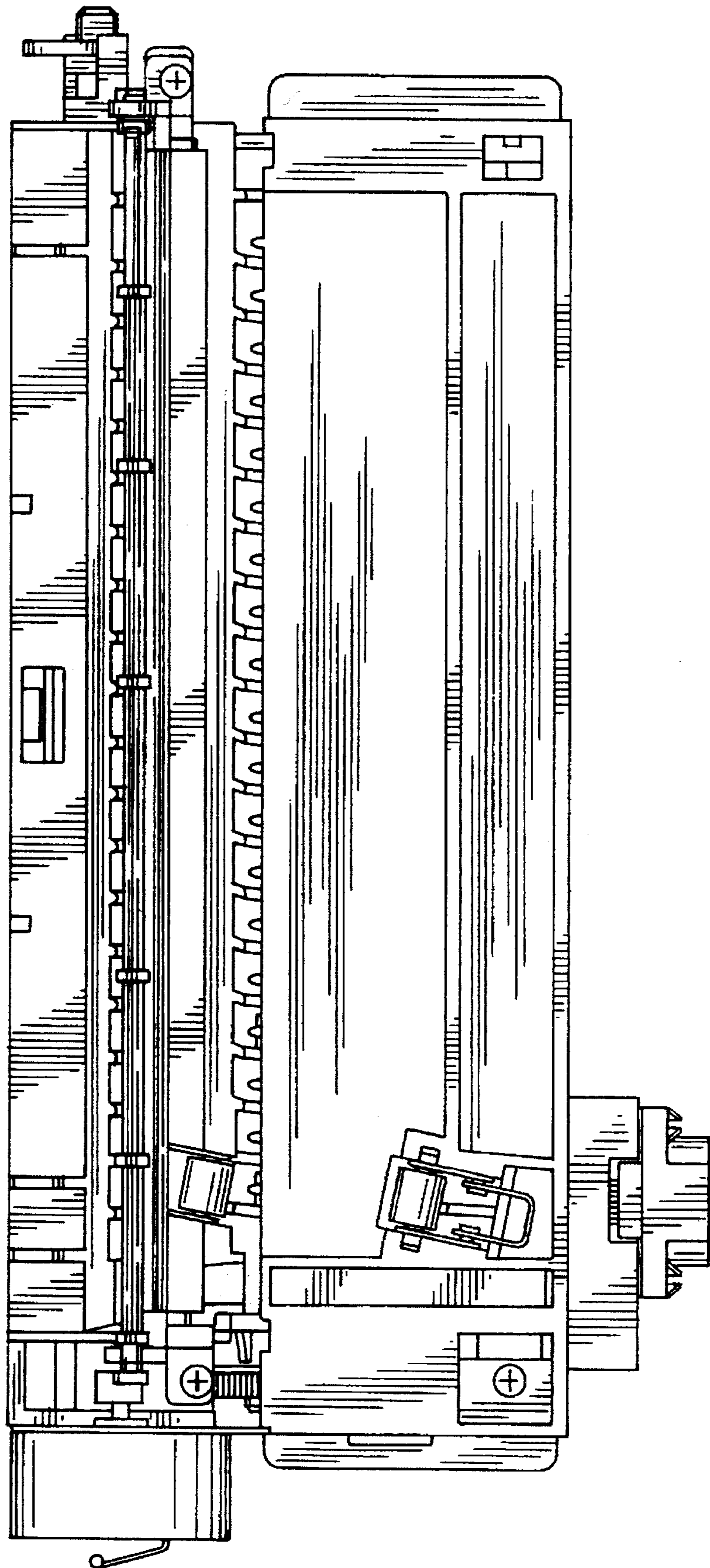


FIG. 5

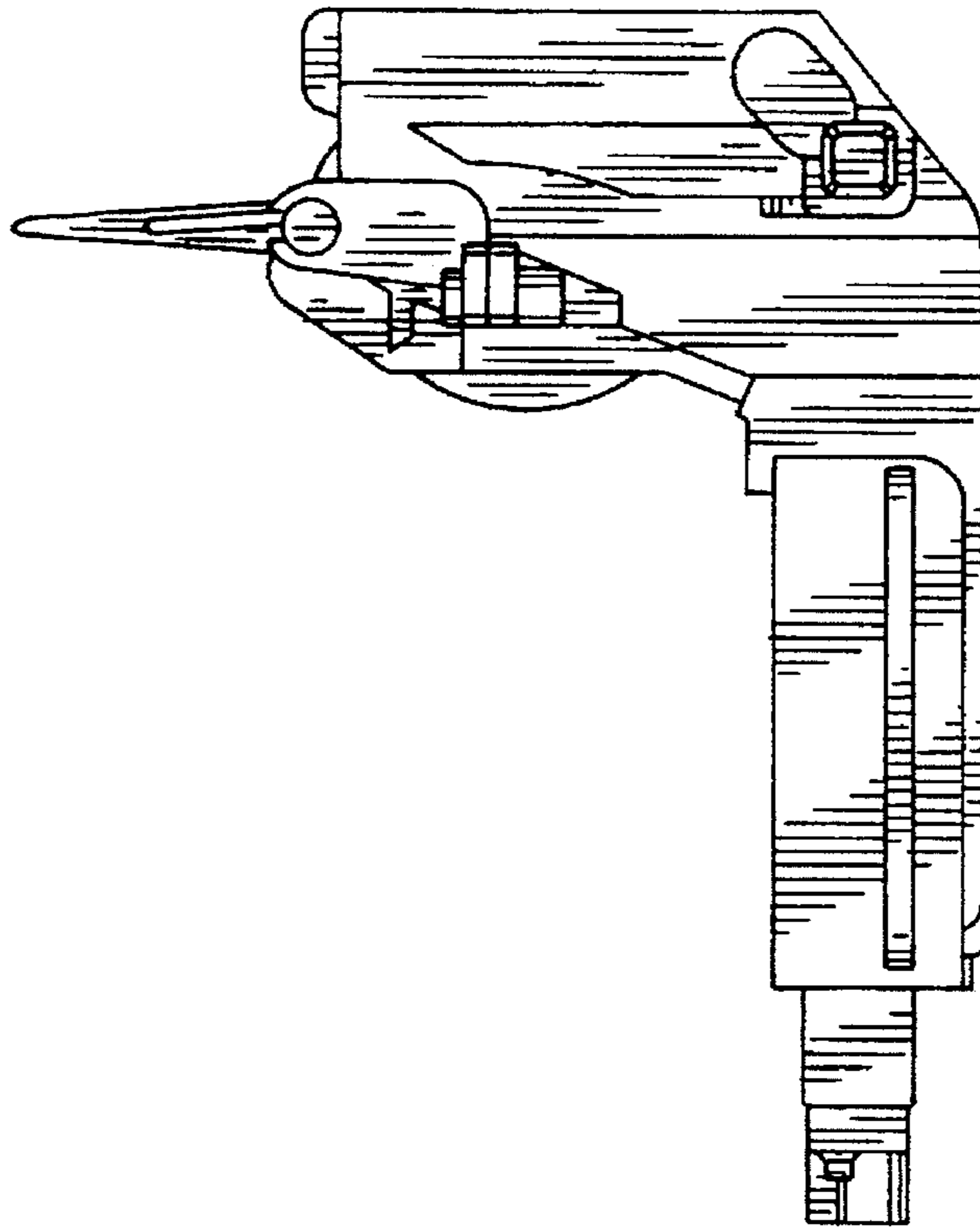


FIG. 4

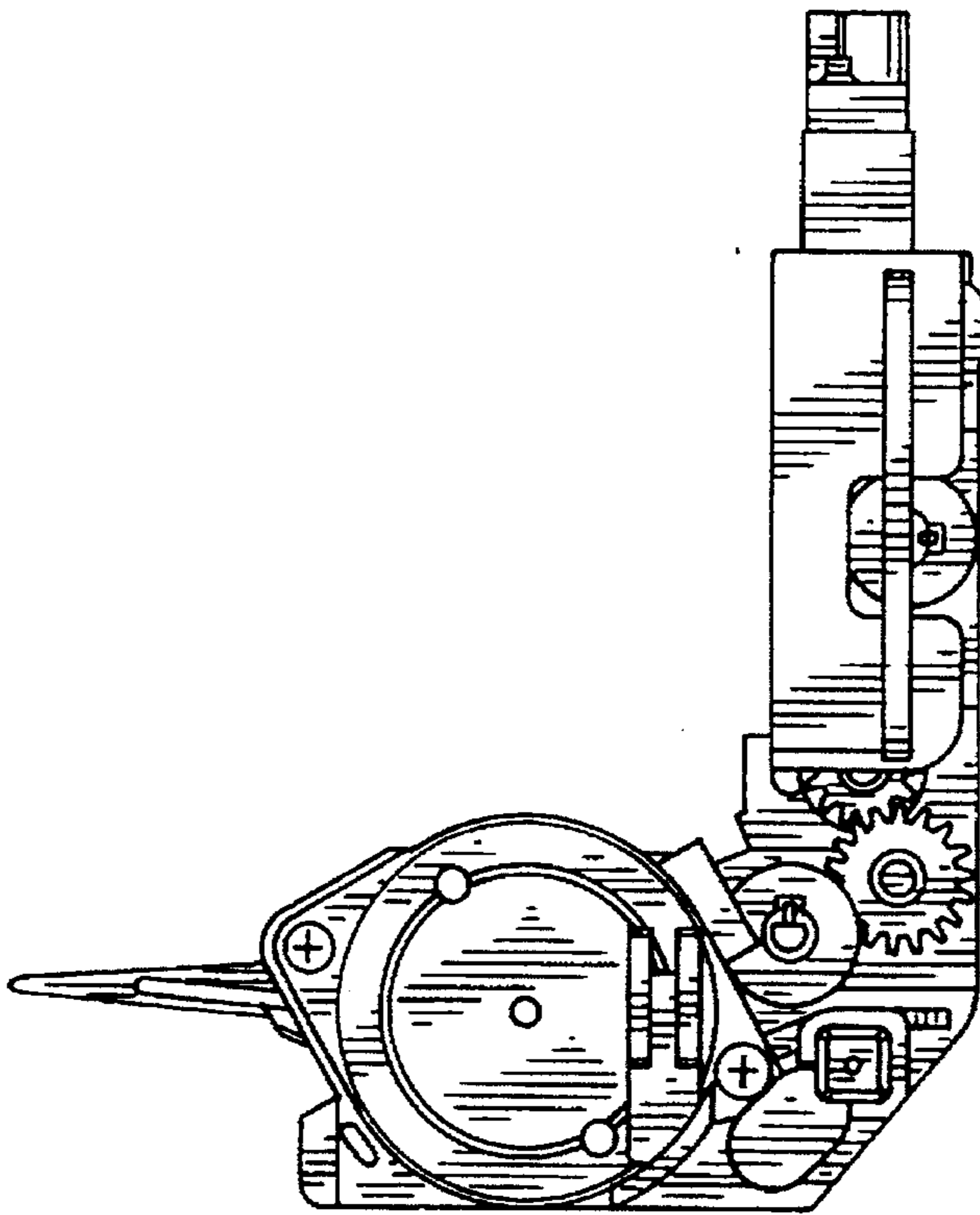


FIG. 6

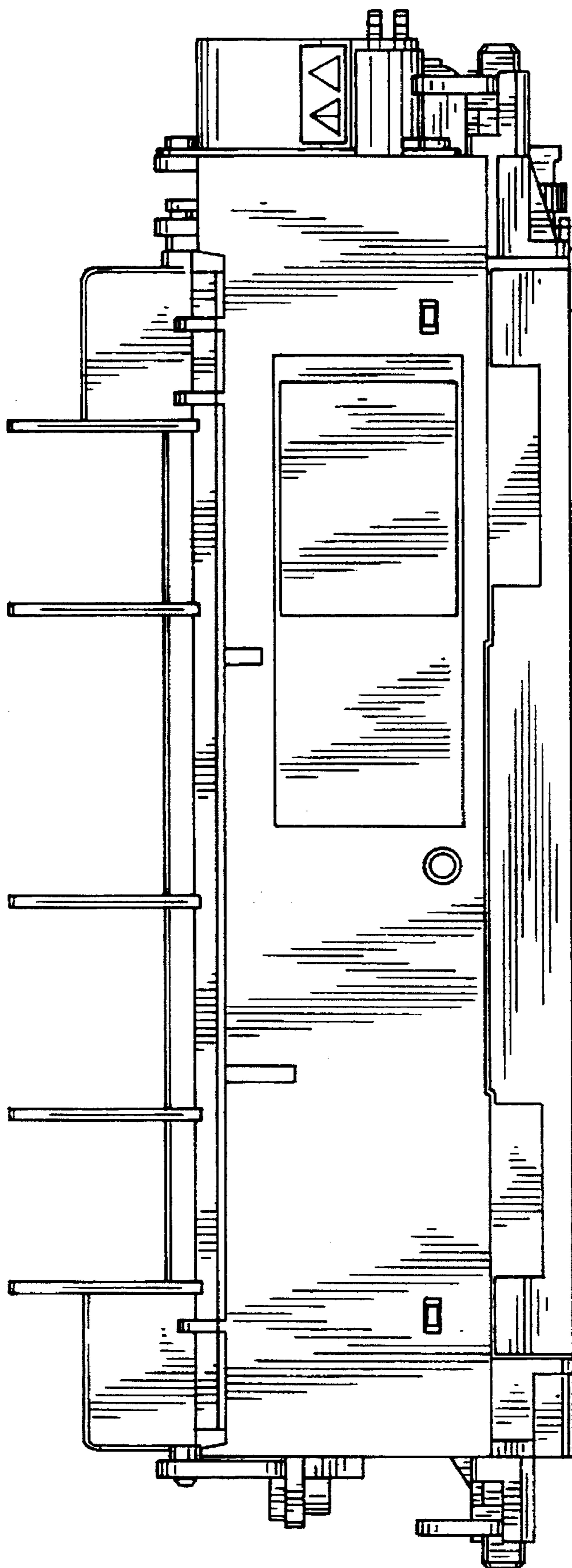


FIG. 7

