



US00D383153S

# United States Patent [19]

Jones et al.

[11] Patent Number: **Des. 383,153**

[45] Date of Patent: **\*\*\*Sep. 2, 1997**

[54] **SOLID INK STICK FOR A COLOR PRINTER**

[75] Inventors: **Brent R. Jones**, Tualatin; **Clark W. Crawford**, Wilsonville, both of Oreg.

[73] Assignee: **Tektronix, Inc.**, Wilsonville, Oreg.

[\*] Notice: The portion of the term of this patent subsequent to Aug. 27, 2010, has been disclaimed.

[\*\*] Term: **14 Years**

[21] Appl. No.: **33,835**

[22] Filed: **Jan. 20, 1995**

### Related U.S. Application Data

[63] Continuation-in-part of Ser. No. 22,542, May 6, 1994, abandoned.

[51] **LOC (6) Cl.** ..... **18-02**

[52] **U.S. Cl.** ..... **D18/56**

[58] **Field of Search** ..... D18/40, 56; 106/31 A, 106/31 R; 347/86-88, 99; D24/100-103; D1/100-101

### [56] References Cited

#### U.S. PATENT DOCUMENTS

D. 310,130	8/1990	van Kooten	.....	D1/100
D. 335,683	5/1993	Smith	.....	D18/56
D. 346,821	5/1994	Smith	.....	D18/56
4,361,843	11/1982	Cooke et al.	.....	347/99
4,808,227	2/1989	Yuasa et al.	.....	106/31 A

4,823,146	4/1989	Cooke et al.	.....	347/86
4,851,045	7/1989	Taniguchi	.....	106/31 R
5,105,209	4/1992	Koto et al.	.....	347/88
5,123,961	6/1992	Yamanioto	.....	106/31 R
5,124,719	6/1992	Matsuzaki	.....	347/88
5,170,187	12/1992	Oikawa	.....	347/88
5,223,860	6/1993	Loofbourow et al.	.....	347/88
5,259,873	11/1993	Fujioka	.....	106/31 R
5,259,874	11/1993	Miller et al.	.....	347/99
5,270,730	12/1993	Yaegashi et al.	.....	106/31 R
5,341,164	8/1994	Miyazawa et al.	.....	347/88
5,405,438	4/1995	Fujioka	.....	106/31 A

### FOREIGN PATENT DOCUMENTS

4093258	3/1992	Japan	.....	347/99
6041482	2/1994	Japan	.....	106/31 R
6143558	5/1994	Japan	.....	347/99
9110711	7/1991	WIPO	.....	106/31 R

*Primary Examiner*—Cathy Anne MacCormac  
*Attorney, Agent, or Firm*—Ralph D'Alessandro

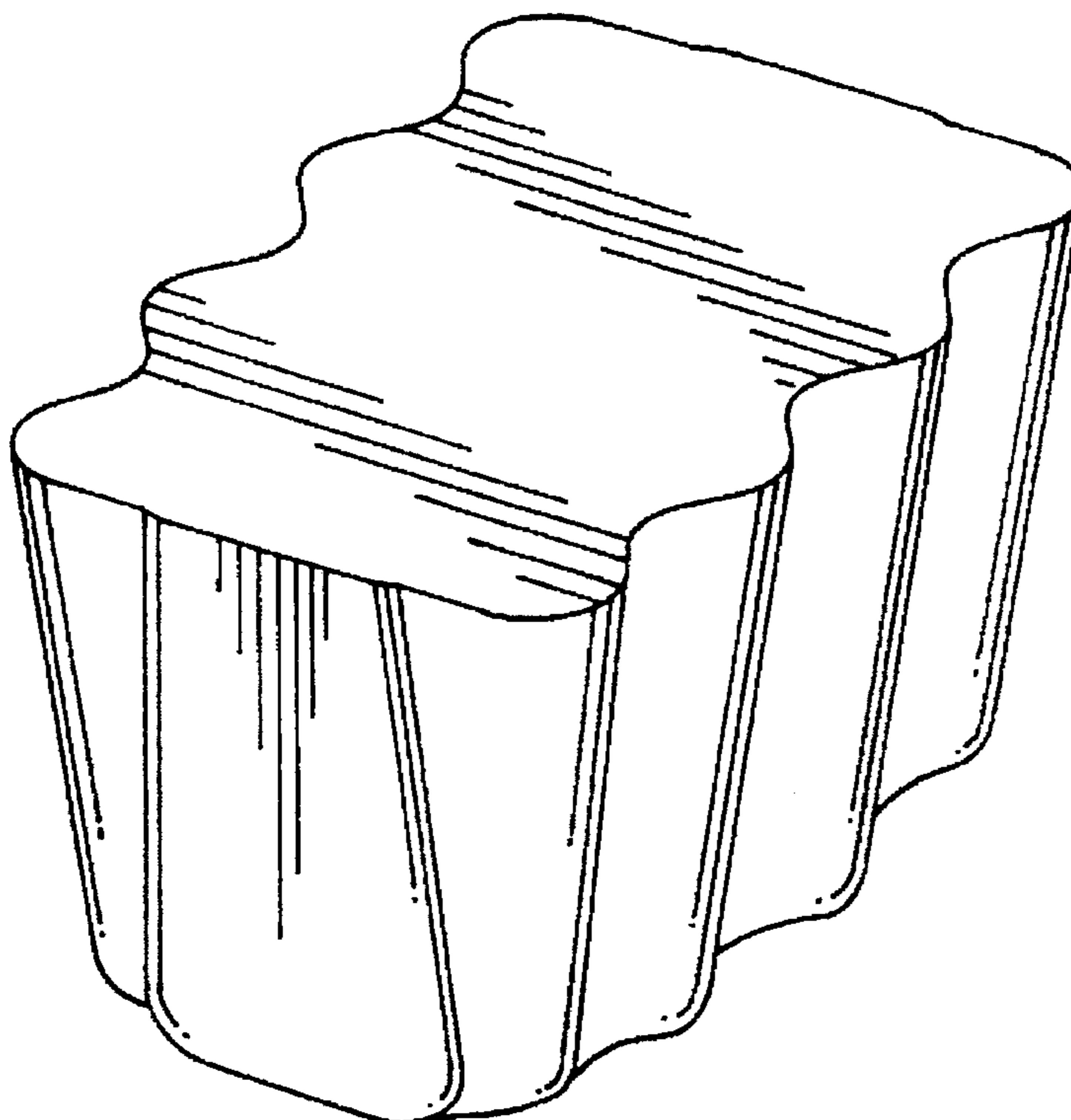
### [57] CLAIM

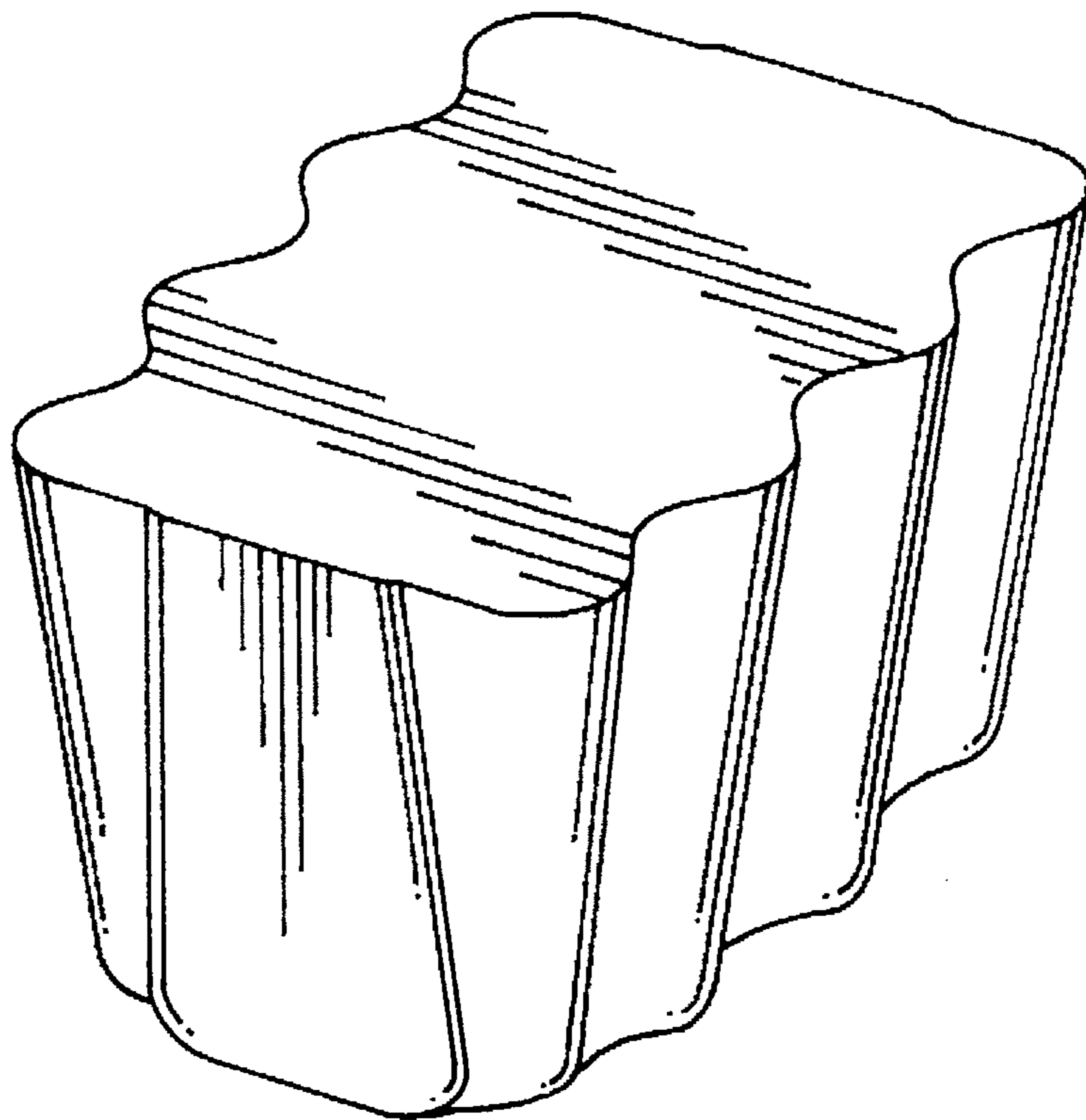
The ornamental design for a solid ink stick for a color printer, as shown and described.

### DESCRIPTION

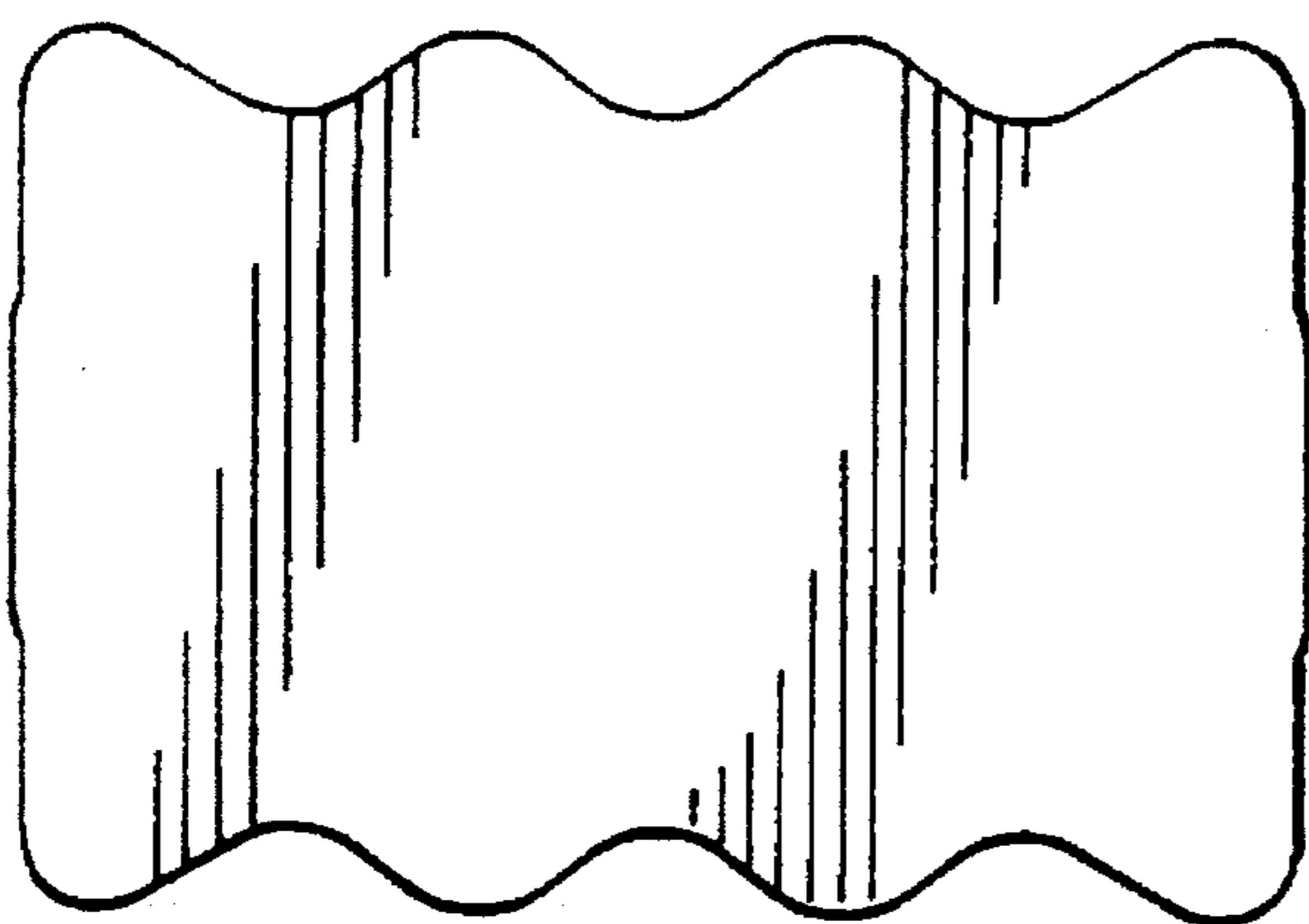
FIG. 1 is a front perspective view of a solid ink stick for a color printer showing our new design; FIG. 2 is a top plan view thereof; FIG. 3 is a side elevational view thereof, the opposite side being identical; FIG. 4 is a bottom plan view thereof; and, FIG. 5 is an end elevational view thereof.

**1 Claim, 2 Drawing Sheets**

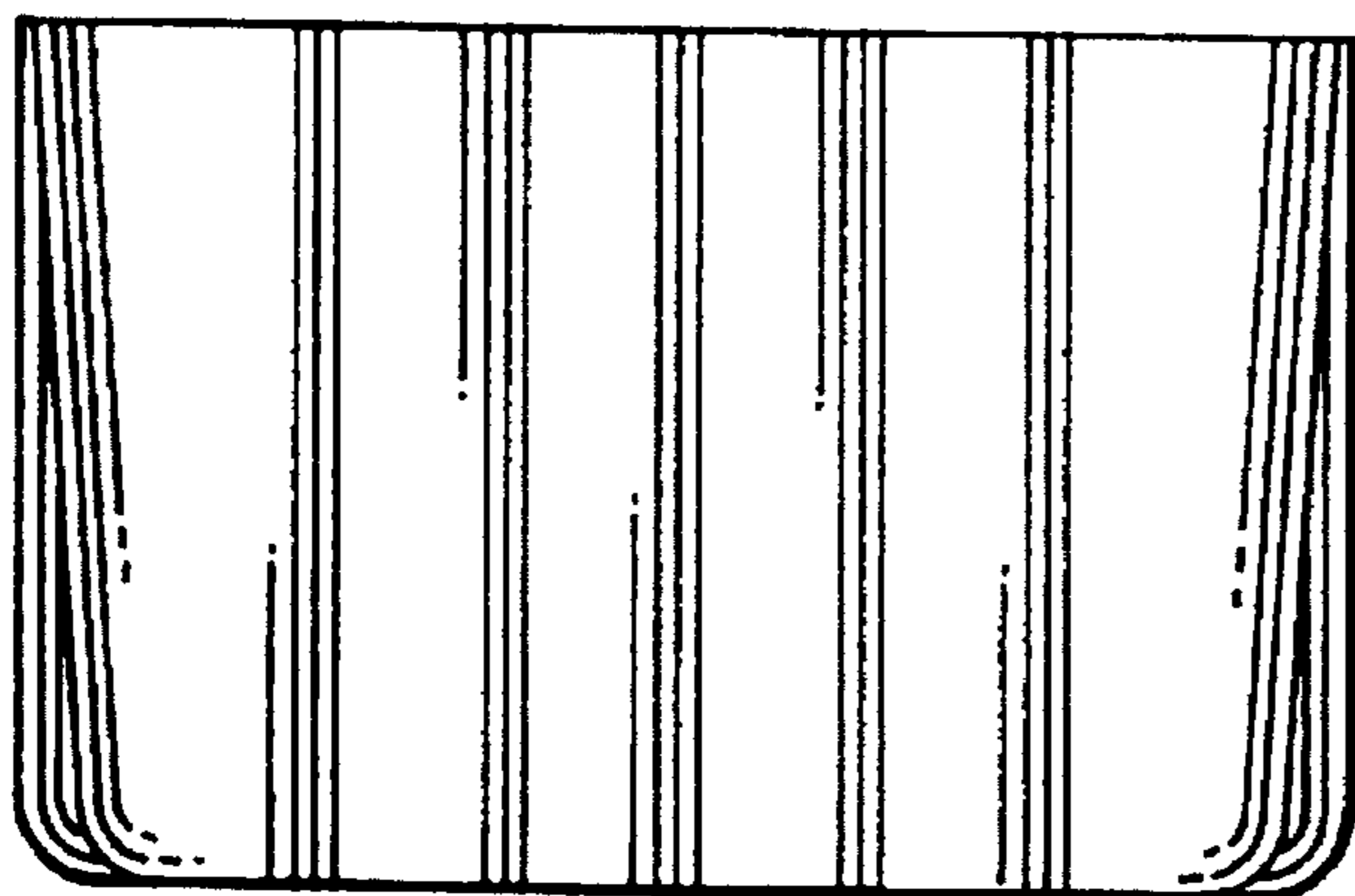




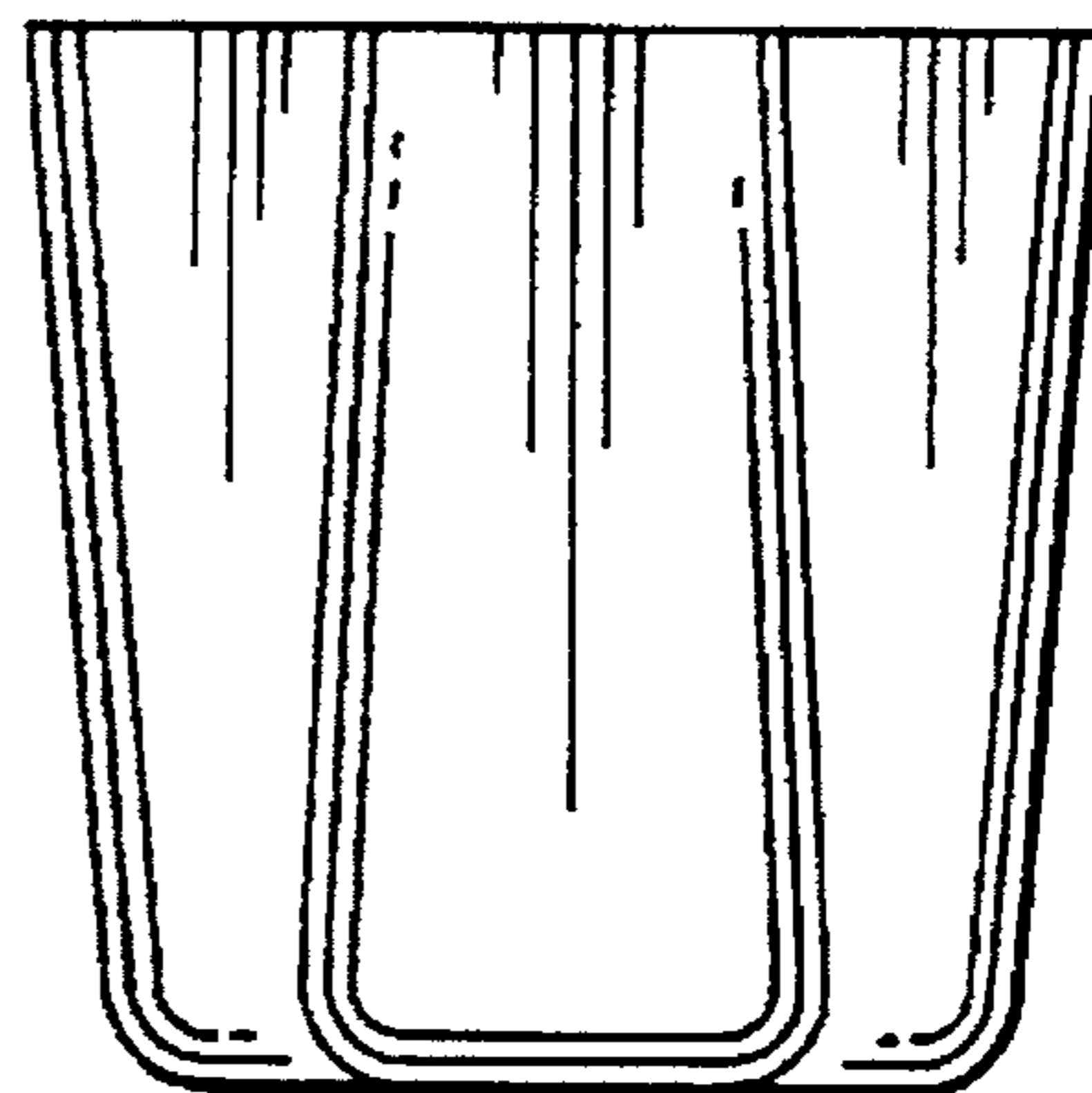
**Fig. 1**



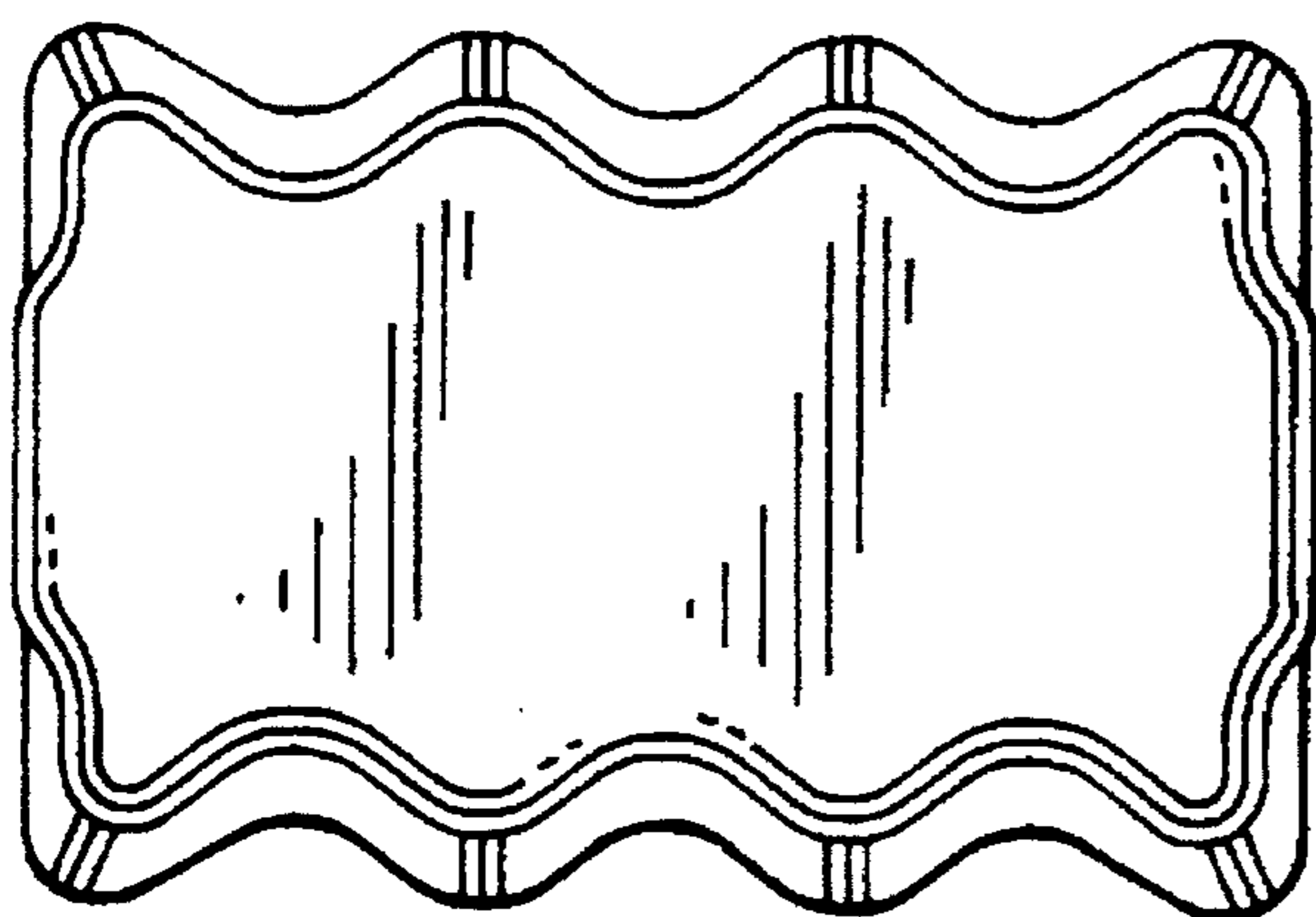
**Fig. 2**



**Fig. 3**



**Fig. 5**



**Fig. 4**