



US00D383141S

**United States Patent** [19]  
**Martini**

[11] **Patent Number:** **Des. 383,141**

[45] **Date of Patent:** **\*\*Sep. 2, 1997**

[54] **ROOFING MATERIAL APPLICATOR**

[76] **Inventor:** **Tom Martini**, 28030 Hiller, Mt. Clemens, Mich. 48045

[\*\*] **Term:** **14 Years**

[21] **Appl. No.:** **41,358**

[22] **Filed:** **Jul. 12, 1995**

[51] **LOC (6) Cl.** ..... **15-04**

[52] **U.S. Cl.** ..... **D15/13; D34/24**

[58] **Field of Search** ..... **D15/10-13, 28; D34/24; 126/271.2 A; 156/379.8, 391; 404/101, 103; 432/229; 280/47.24, 47.131, 47.15, 47.17, 47.19**

[56] **References Cited**

**U.S. PATENT DOCUMENTS**

D. 261,634	11/1981	Beshears	.....	D34/24
D. 266,368	9/1982	Flanders	.....	D34/24
D. 297,777	9/1988	Schloss et al.	.....	D15/10
D. 340,787	10/1993	Laursen	.....	D34/24
2,084,625	6/1937	Stebbins et al.	.....	154/42
3,152,353	10/1964	Cravener	.....	D15/13

4,239,581	12/1980	Lang	.....	126/271.2 A
4,452,468	6/1984	Eads et al.	.....	280/47.19
4,547,152	10/1985	Svensen	.....	432/229
4,806,194	2/1989	Wald	.....	156/379.8

*Primary Examiner*—Sandra L. Morris  
*Attorney, Agent, or Firm*—James A. Hudak

[57] **CLAIM**

The ornamental design for a roofing material applicator, as shown and described.

**DESCRIPTION**

FIG. 1 is a perspective view of the roofing material applicator showing my new design;

FIG. 2 is a front elevational view thereof;

FIG. 3 is a rear elevational view thereof;

FIG. 4 is a right side elevational view thereof;

FIG. 5 is a left side elevational view thereof;

FIG. 6 is a top plan view thereof; and,

FIG. 7 is a bottom plan view thereof.

The broken line showing is for illustrative purposes only, and forms no part of the claimed design.

**1 Claim, 4 Drawing Sheets**

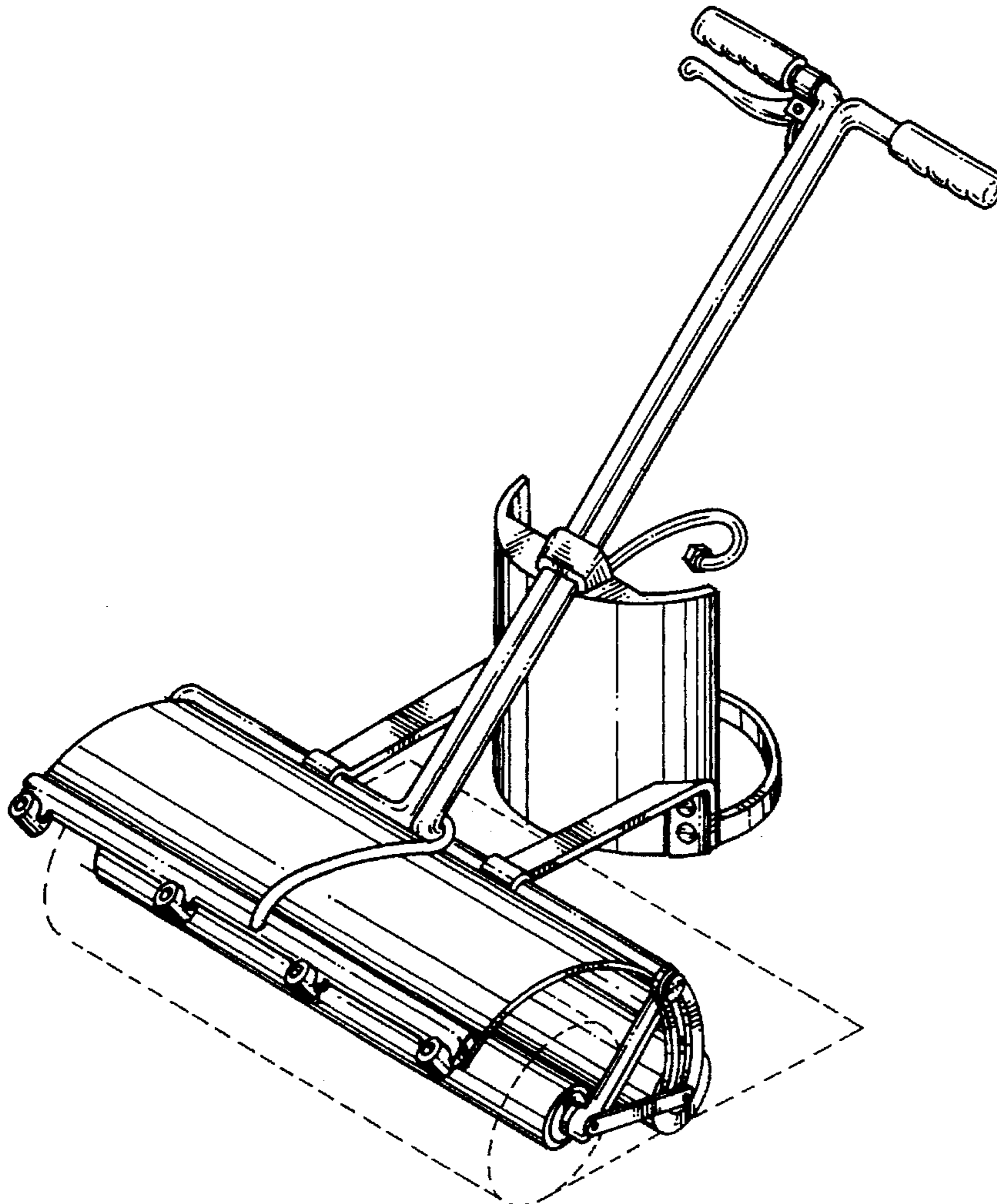
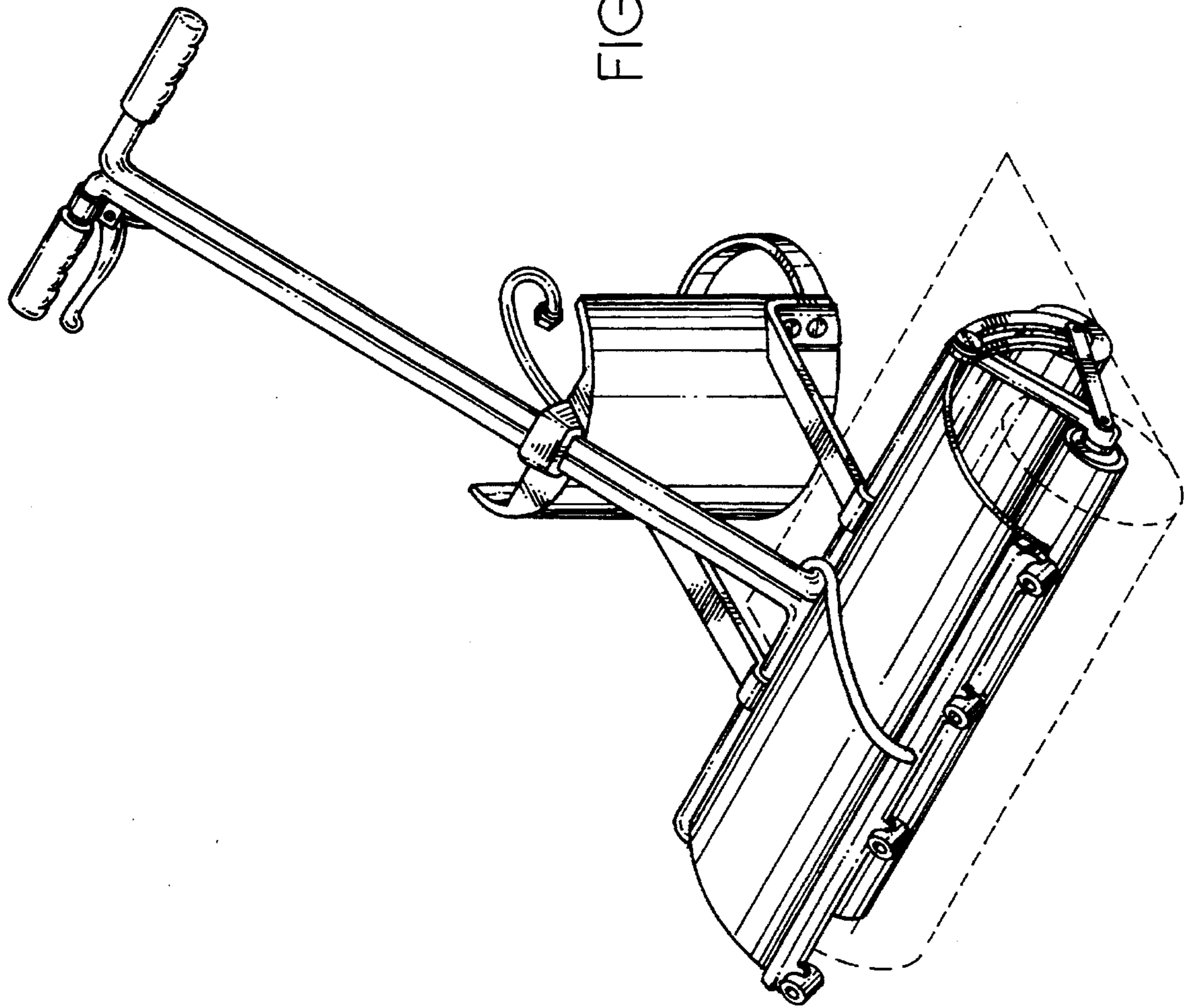


FIG. 1.



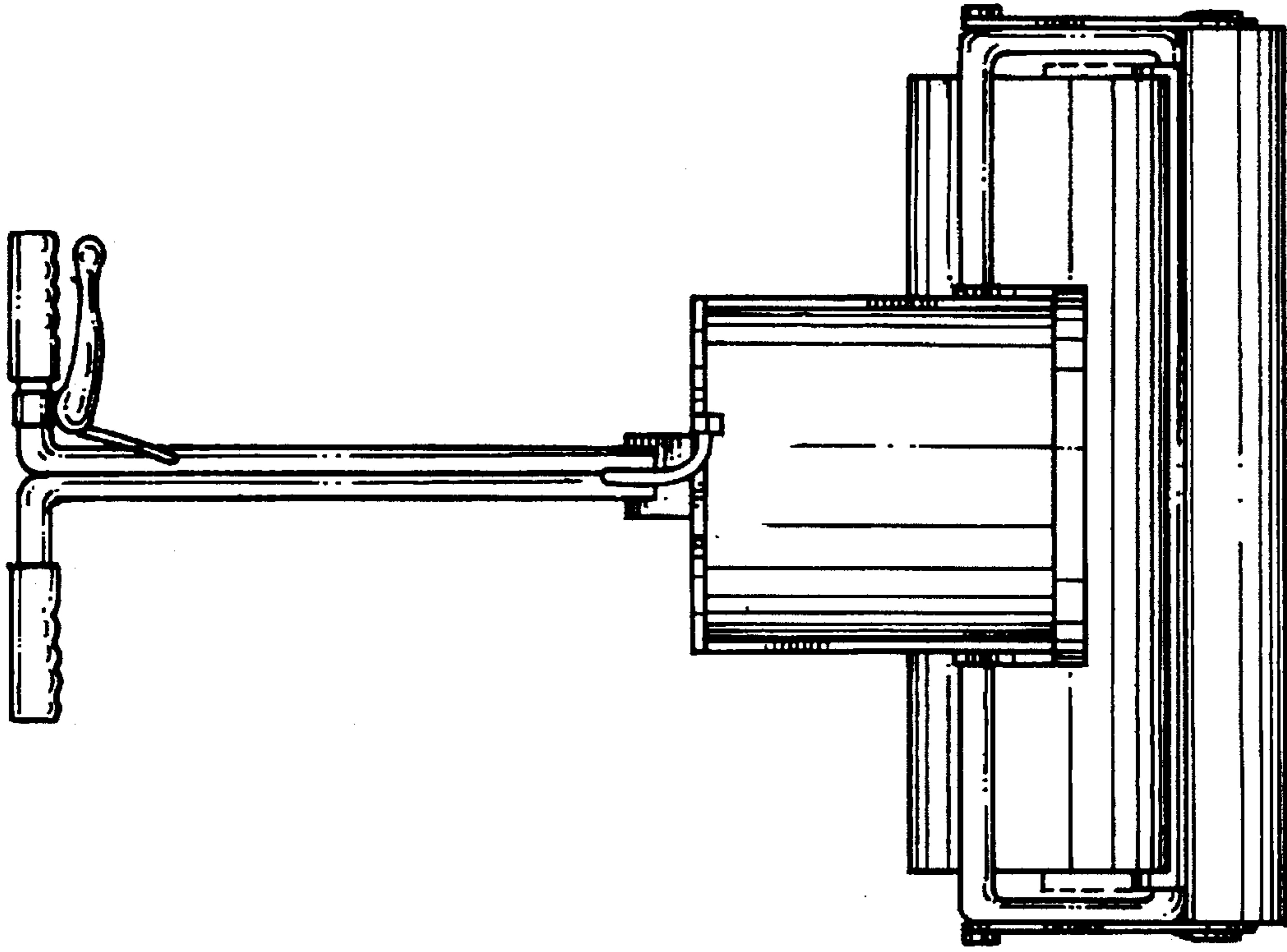


FIG. 3.

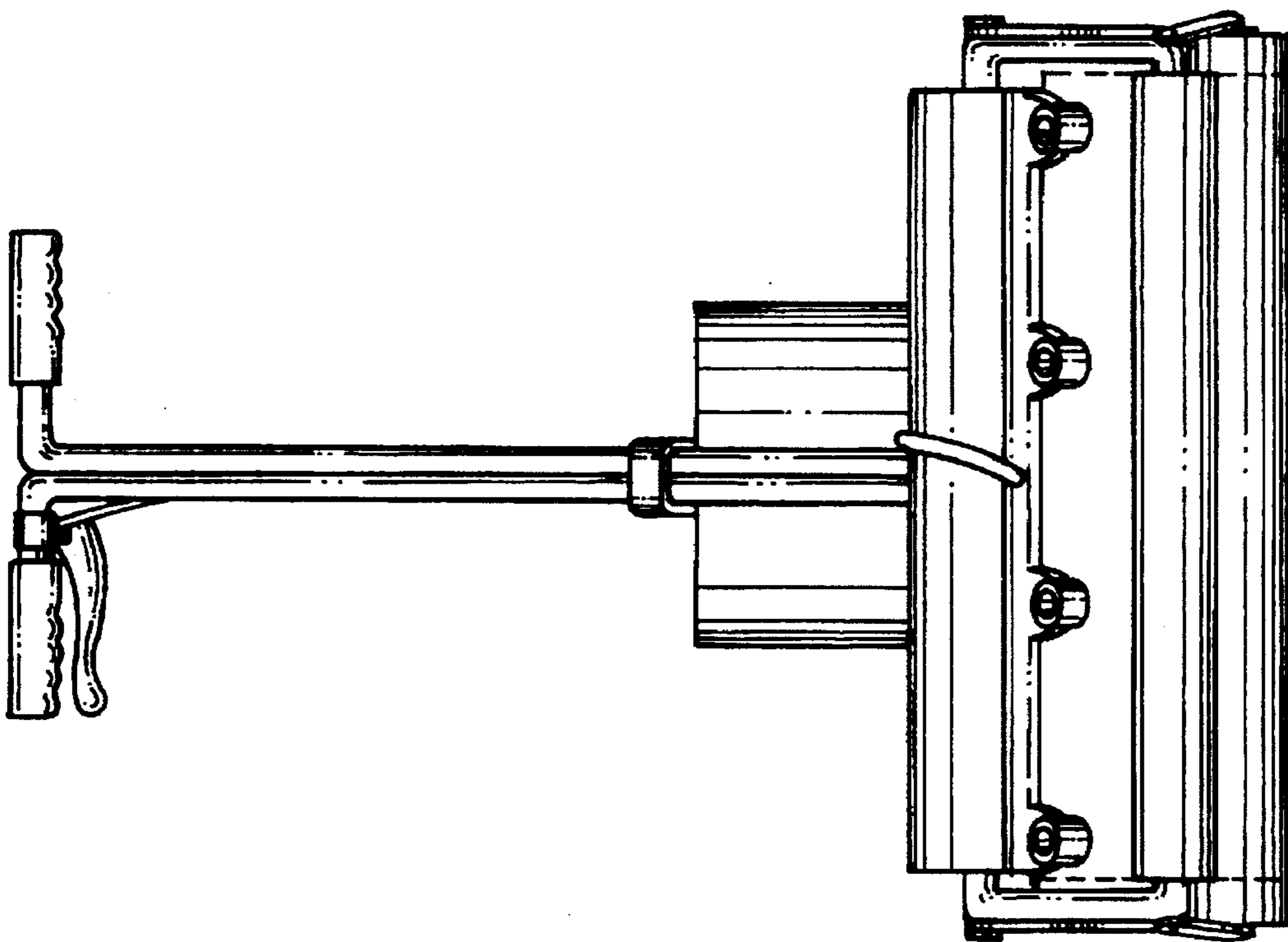


FIG. 2.

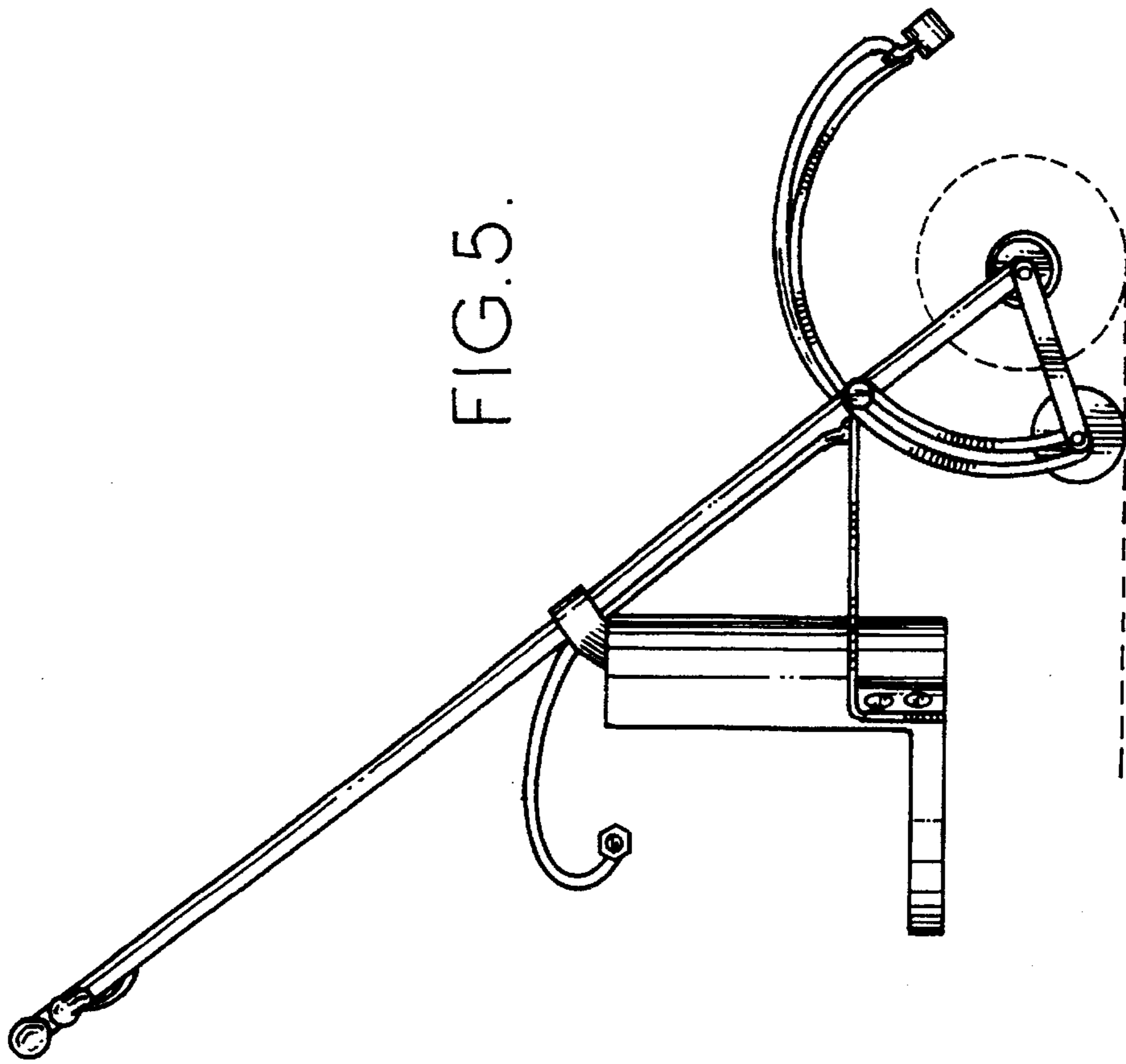


FIG. 5.

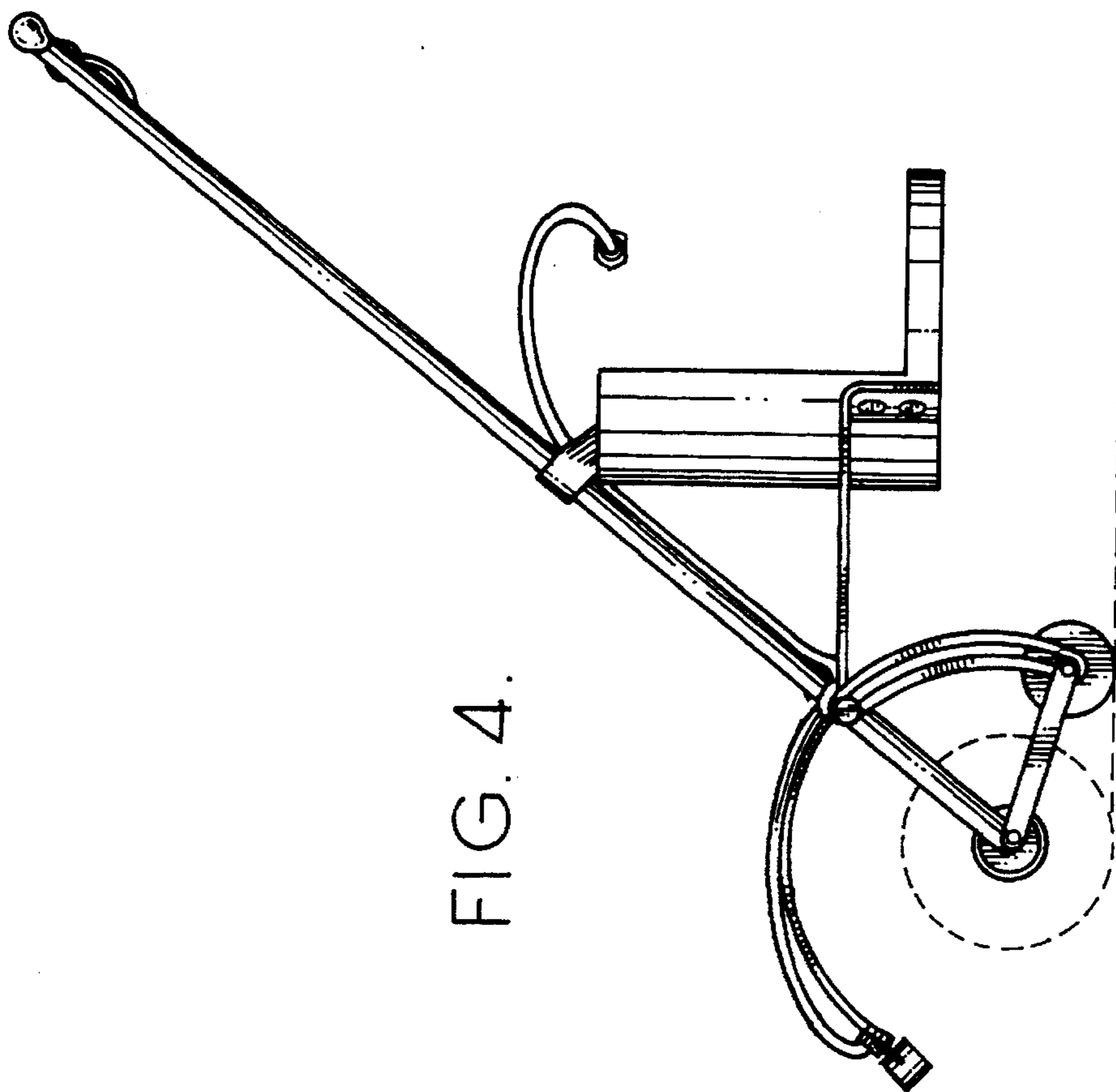


FIG. 4.

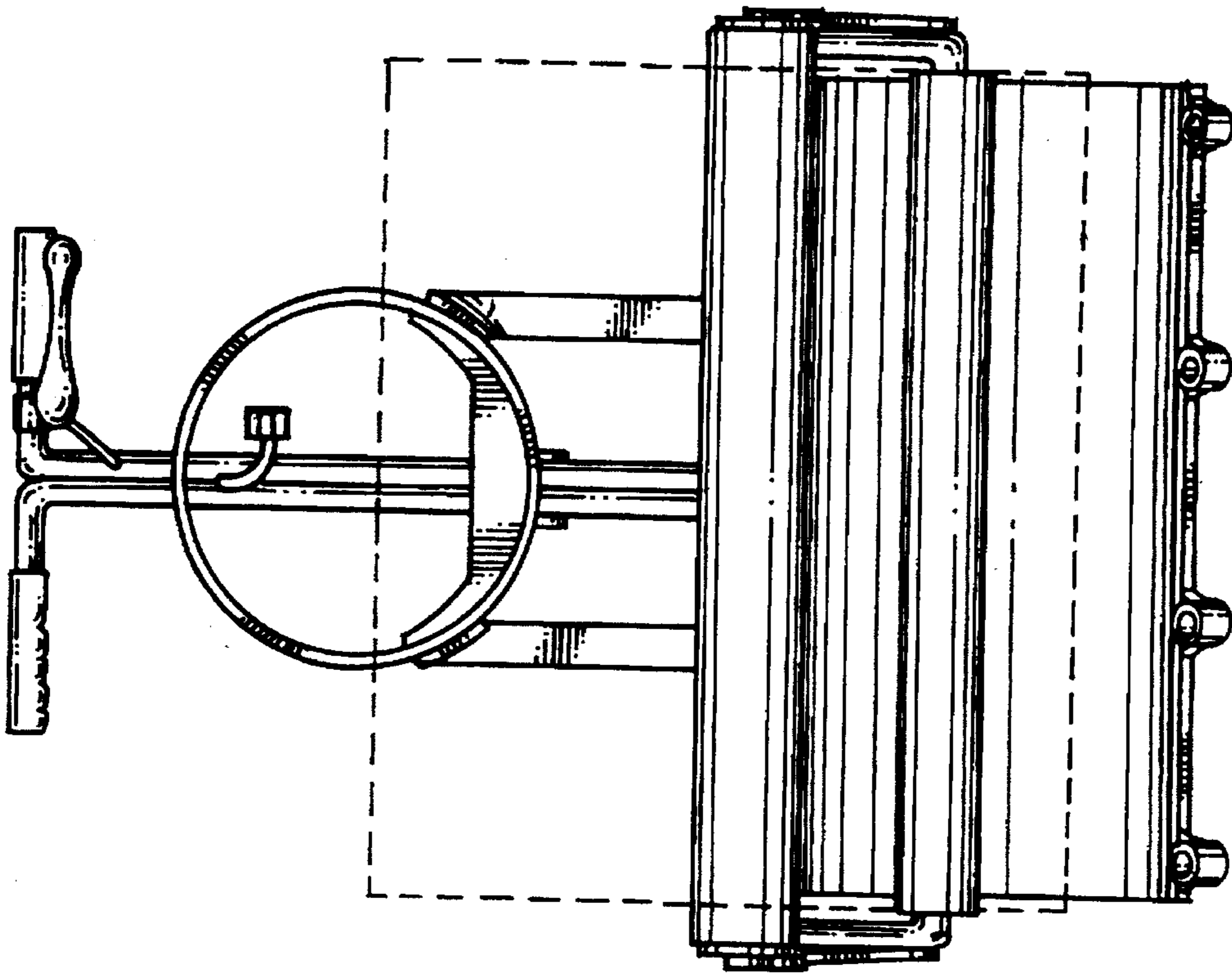


FIG. 7.

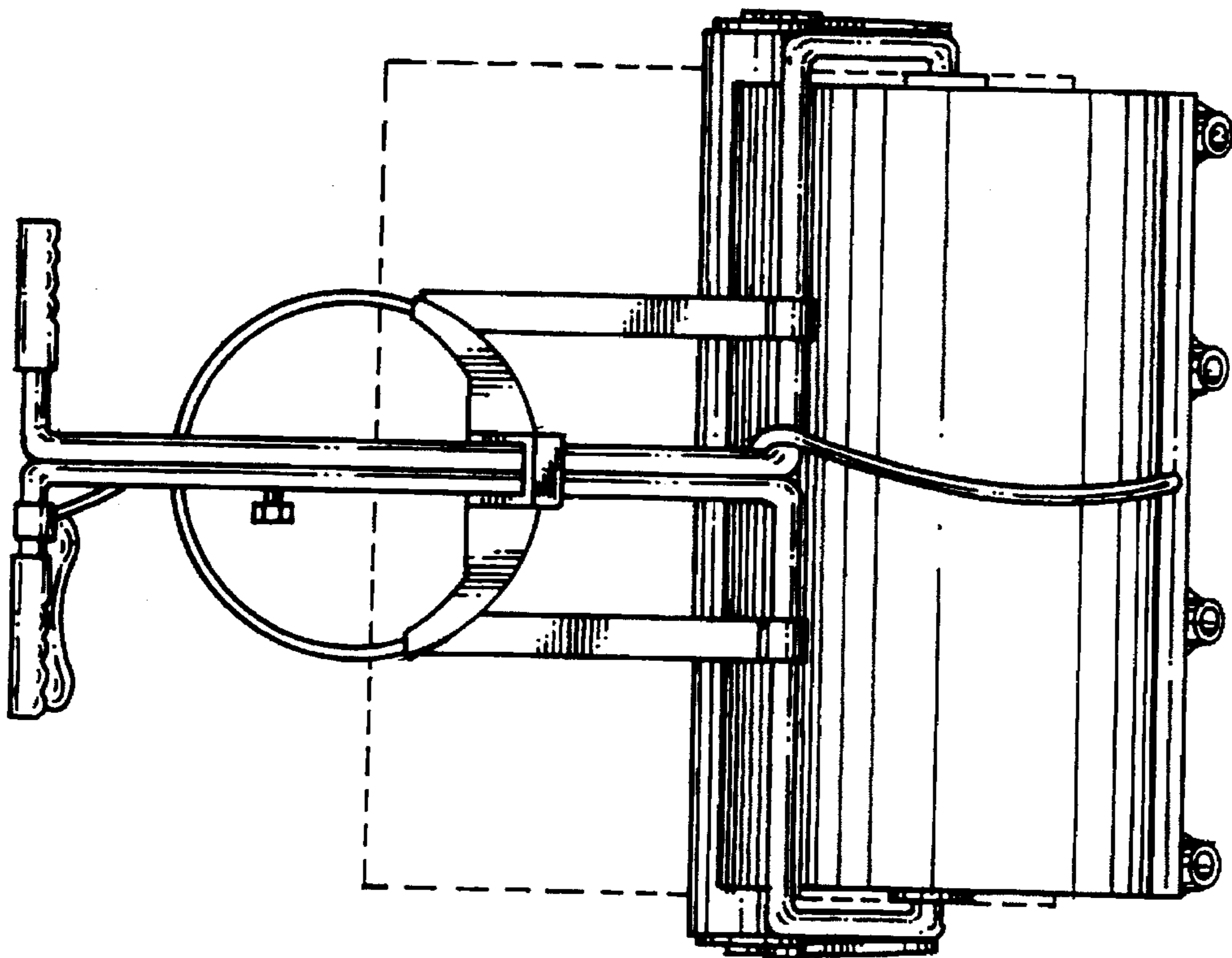


FIG. 6.