



US00D383140S

**United States Patent** [19]  
**Middlebrook**

[11] **Patent Number: Des. 383,140**

[45] **Date of Patent: \*\*Sep. 2, 1997**

[54] **SUPPORT BRACKET FOR VEHICLE SUPERCHARGERS**

5,224,459 7/1993 Middlebrook ..... 123/559.1

[76] **Inventor: James K. Middlebrook, 5351 Bonsai Ave., Moorpark, Calif. 93021**

*Primary Examiner*—James Gandy  
*Assistant Examiner*—Cathron B. Matta  
*Attorney, Agent, or Firm*—Wagner & Middlebrook

[\*\*] **Term: 14 Years**

[57] **CLAIM**

[21] **Appl. No.: 34,310**

The ornamental design for a support bracket for vehicle superchargers, as shown and described.

[22] **Filed: Feb. 1, 1995**

**DESCRIPTION**

[51] **LOC (6) Cl. .... 15-01**

[52] **U.S. Cl. .... D15/5**

[58] **Field of Search .... D12/223; D15/5; 248/300, 674; 123/559.1**

FIG. 1 is a front elevational view of the present invention; FIG. 2 is a top plan view thereof; FIG. 3 is a left side elevational view thereof; FIG. 4 is a right side elevational view thereof; FIG. 5 is a rear side elevational view thereof; FIG. 6 is a bottom plan view thereof; FIG. 7 is a front and bottom perspective view thereof; and, FIG. 8 is a rear and top perspective view thereof.

[56] **References Cited**

**U.S. PATENT DOCUMENTS**

D. 287,130 12/1986 Tilton, Jr. .... D15/5  
1,874,261 8/1932 Evelyn ..... D15/5 X

**1 Claim, 5 Drawing Sheets**

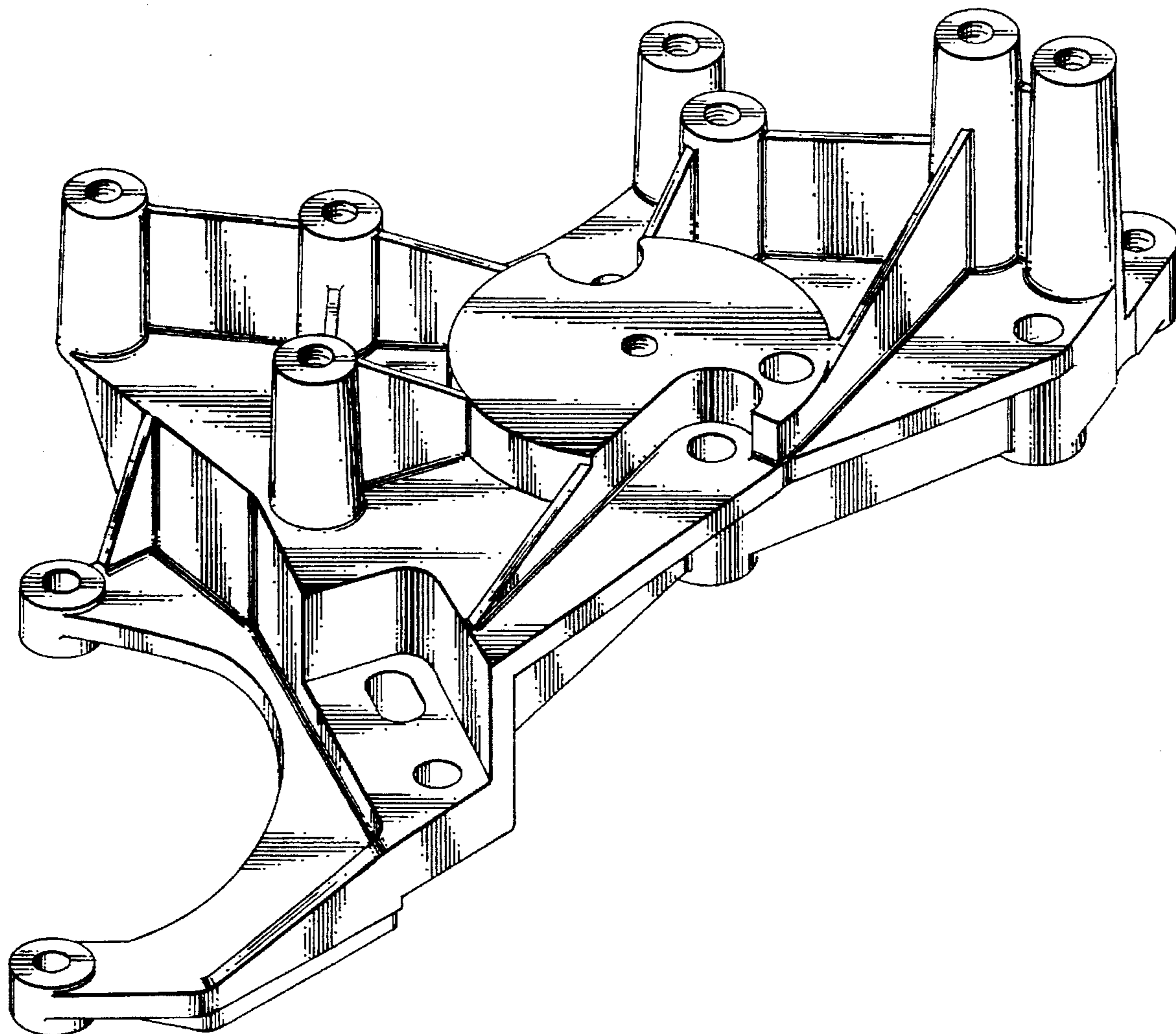


FIG. 1

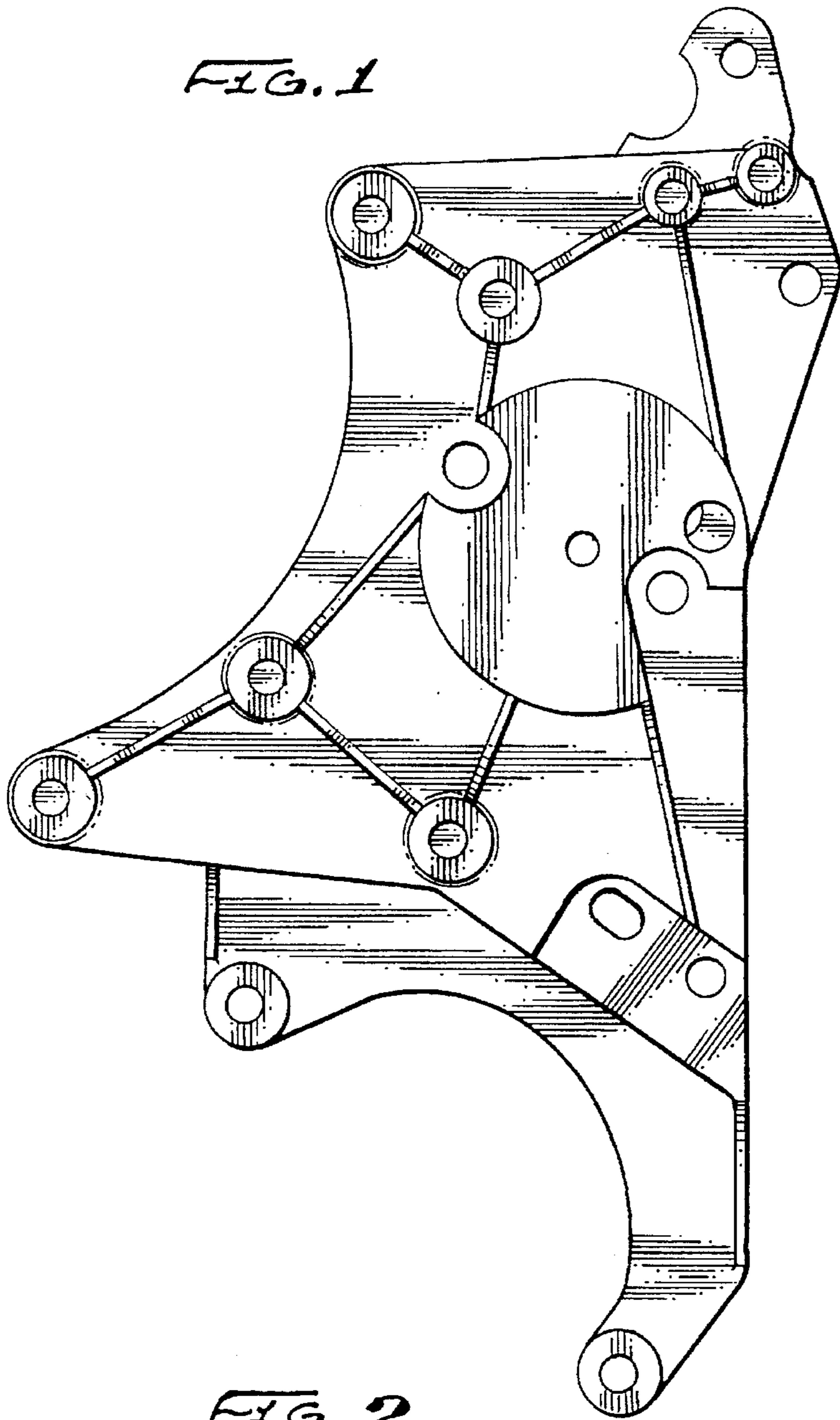


FIG. 2

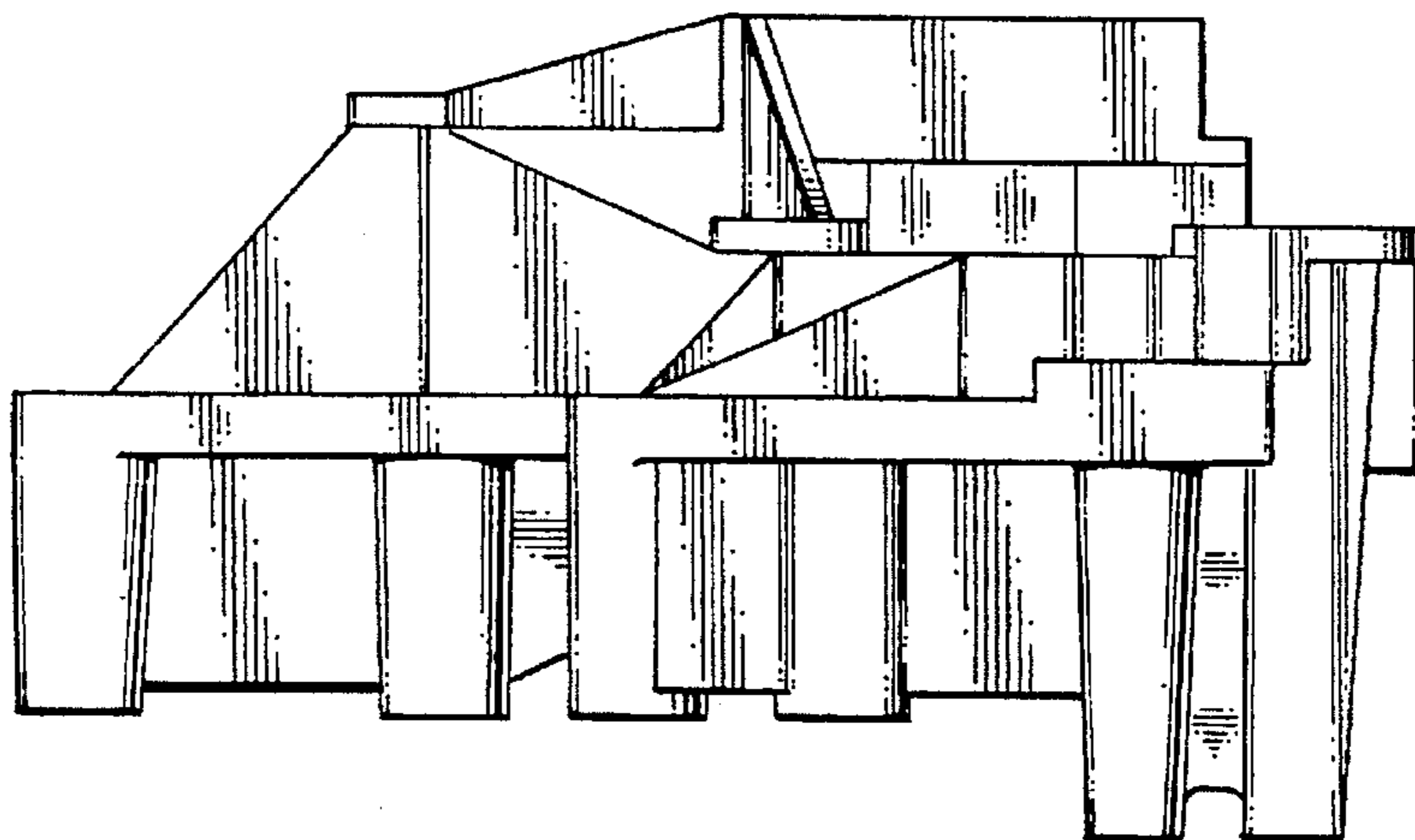


FIG. 3

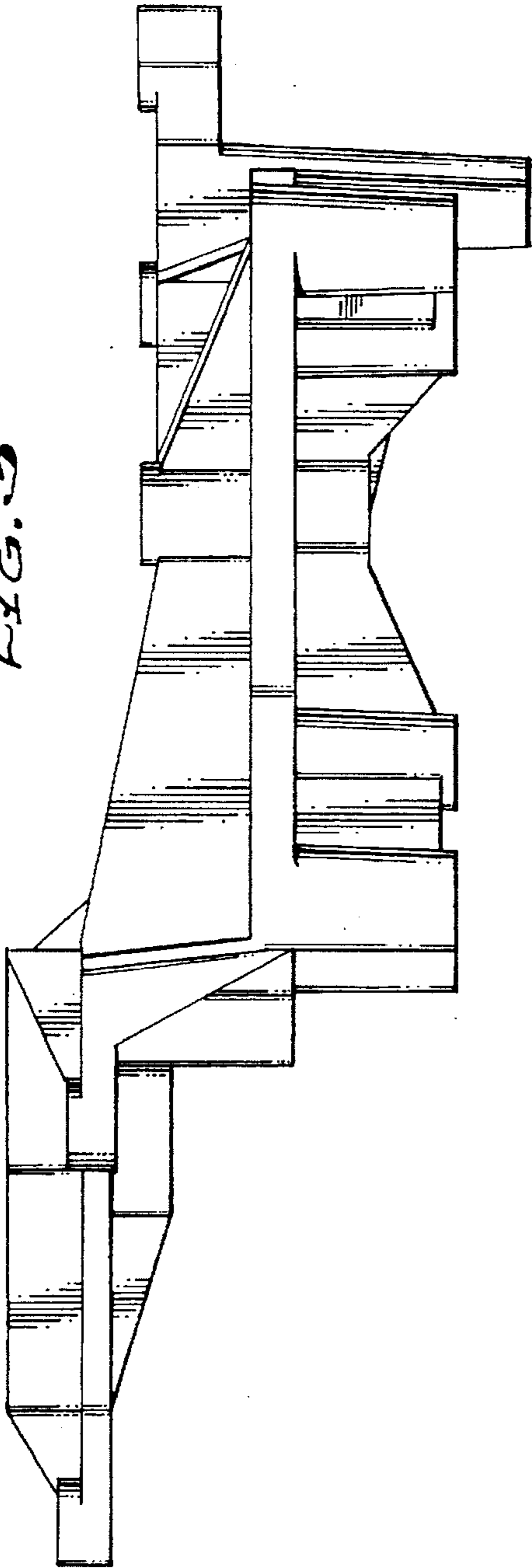
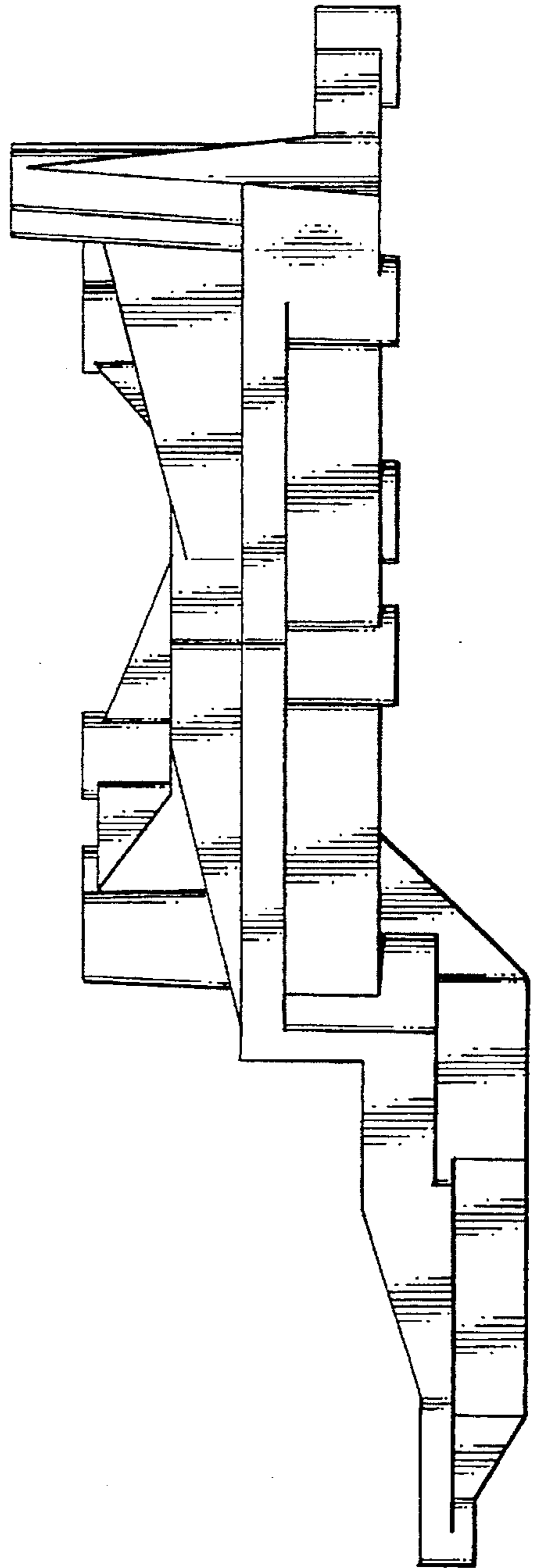


FIG. 2



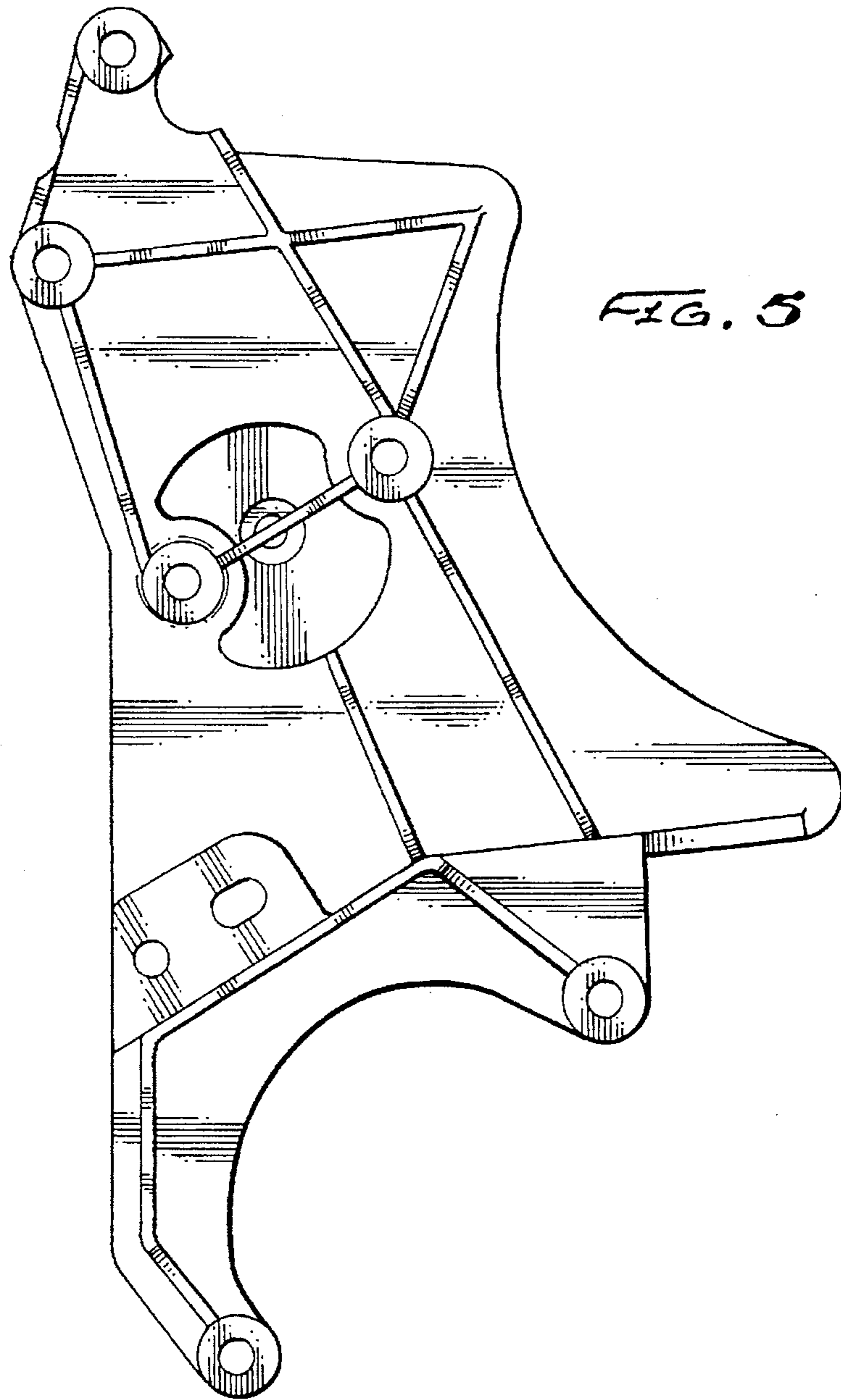
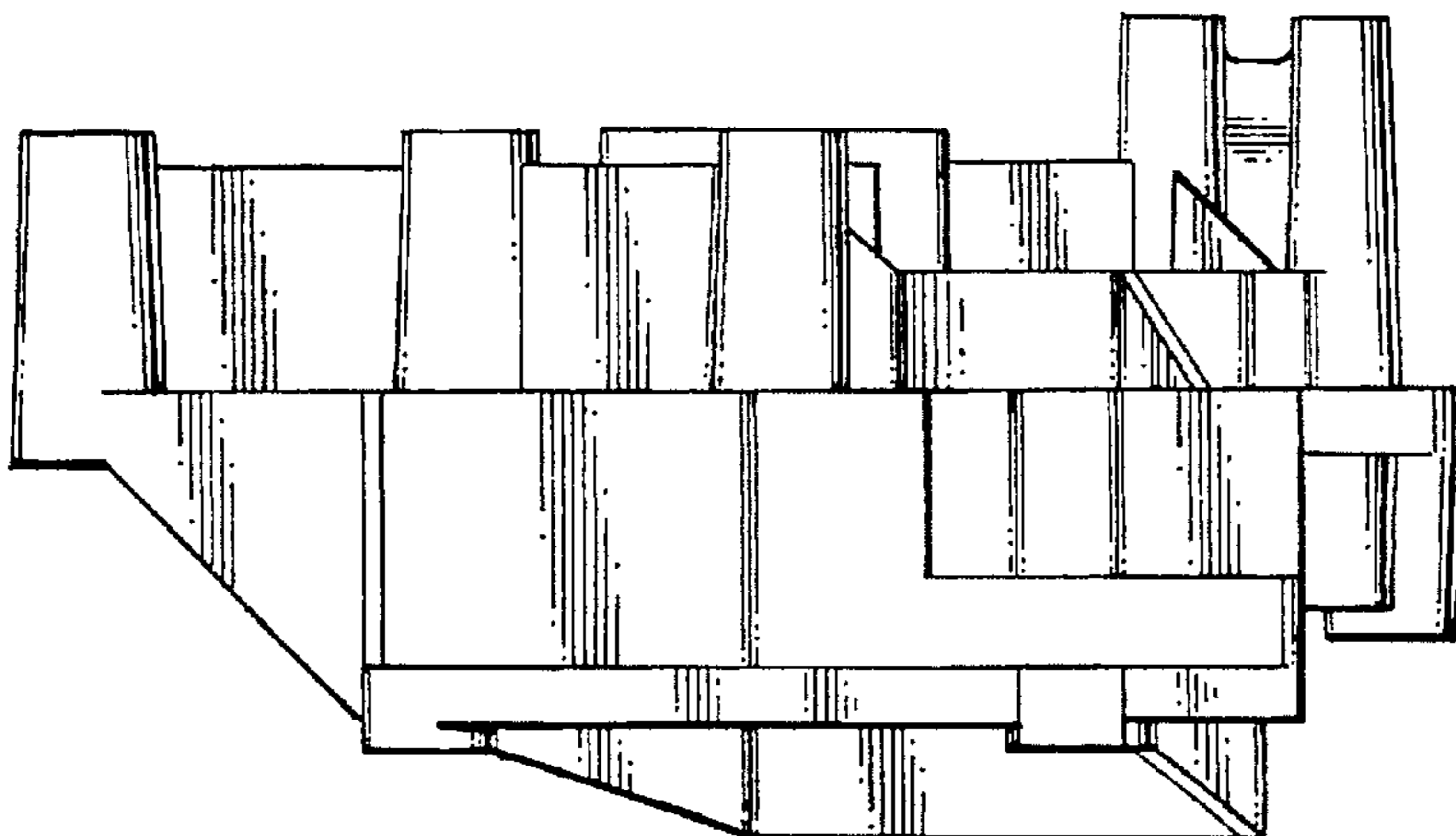


FIG. 5

FIG. 6





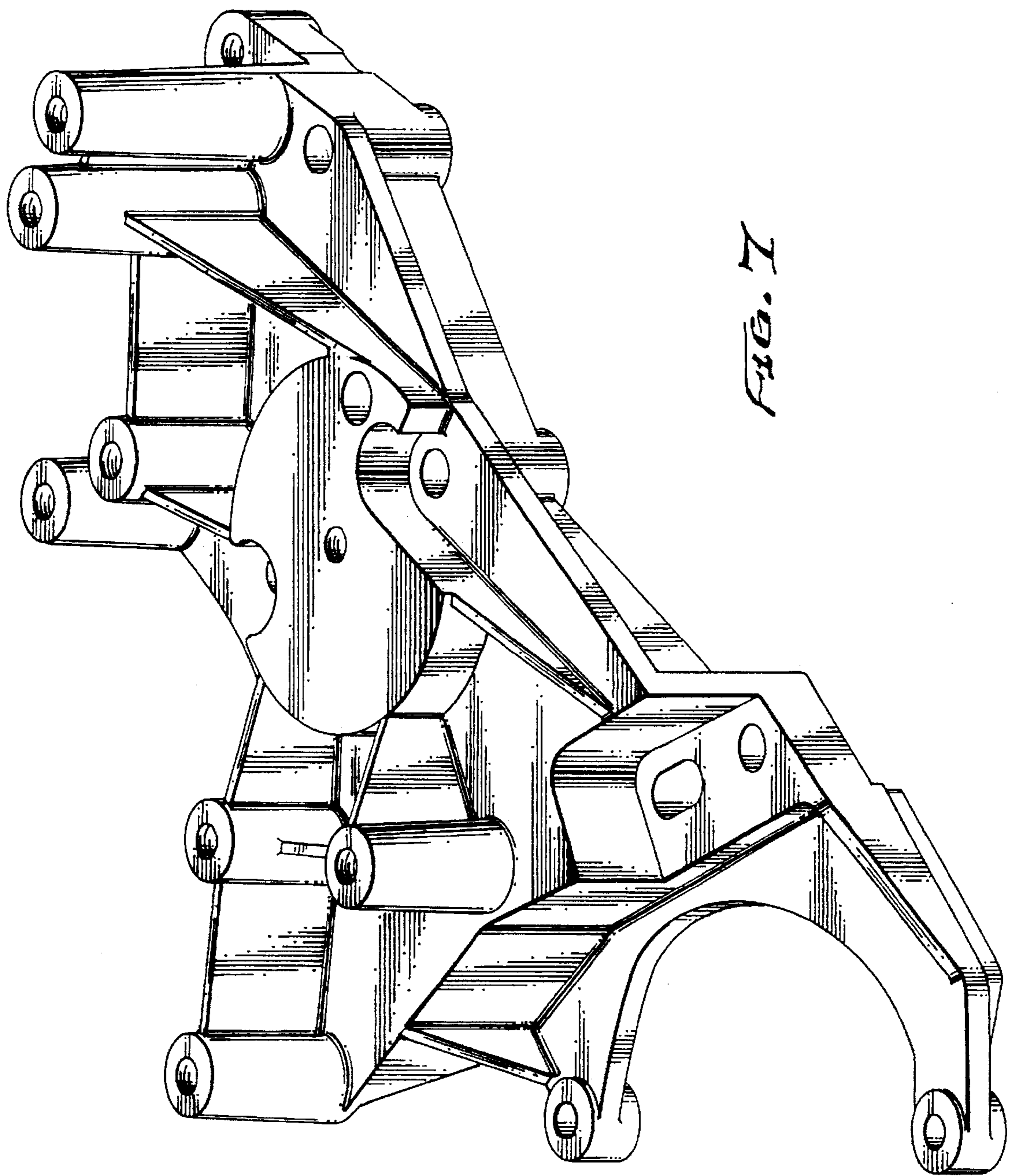


FIG. 7

FIG. 8

