



US00D383124S

United States Patent [19]

[11] Patent Number: **Des. 383,124**

Lanzaro et al.

[45] Date of Patent: ****Sep. 2, 1997**

[54] **COMBINED OPTICAL SCANNER AND PORTABLE TERMINAL**

[75] Inventors: **Michael Lanzaro**, Lake Grove; **Philip W. Swift**, Port Jefferson; **John A. Carricato**, Ridge, all of N.Y.

[73] Assignee: **Symbol Technologies, Inc.**, Holtsville, N.Y.

[**] Term: **14 Years**

[21] Appl. No.: **41,258**

[22] Filed: **Jul. 10, 1995**

[51] LOC (6) Cl. **14-02**

[52] U.S. Cl. **D14/116**

[58] **Field of Search** D14/114, 100, D14/107, 116; 235/472, 462, 486; D18/1, 2, 7; 250/203.1, 566, 568; 382/312-215, 321; 354/80-2; D26/37, 45, 50

[56] **References Cited**

U.S. PATENT DOCUMENTS

D. 305,884 2/1990 Krichever et al. D14/116

D. 340,236 10/1993 Sandor D14/116
D. 350,119 8/1994 Kumar et al. D14/116 X
D. 350,334 9/1994 Kumar et al. D14/116 X
D. 350,336 9/1994 Kumar et al. D14/116 X
D. 369,786 5/1996 Hagerty D14/116 X
D. 374,221 10/1996 Ruiz D14/116

Primary Examiner—M. H. Tung

[57] **CLAIM**

The ornamental design for a combined optical scanner and portable terminal, as shown and described.

DESCRIPTION

FIG. 1 is a top, front, left-side perspective view of an combined optical scanner and portable terminal showing our new design;

FIG. 2 is a top plan view thereof;

FIG. 3 is a front elevational view thereof;

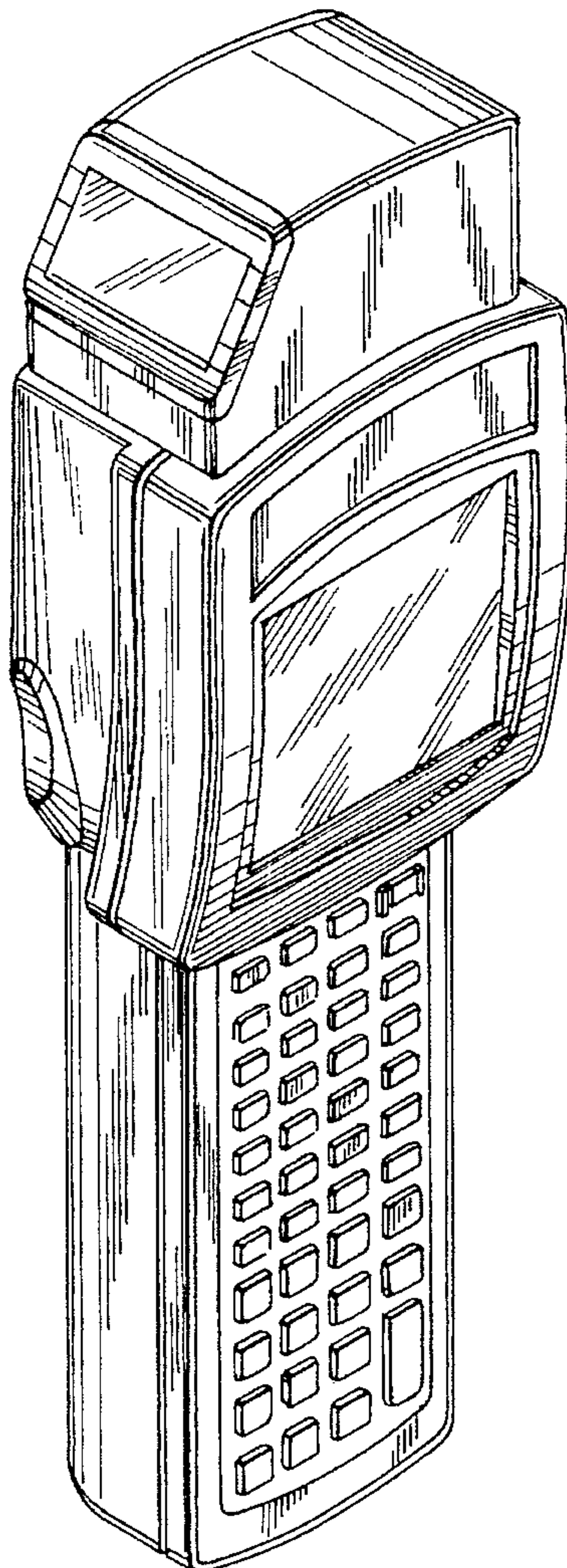
FIG. 4 is an right-side elevational view thereof;

FIG. 5 is a rear elevational view thereof;

FIG. 6 is an left-side elevational view thereof; and,

FIG. 7 is a bottom plan view thereof.

1 Claim, 2 Drawing Sheets



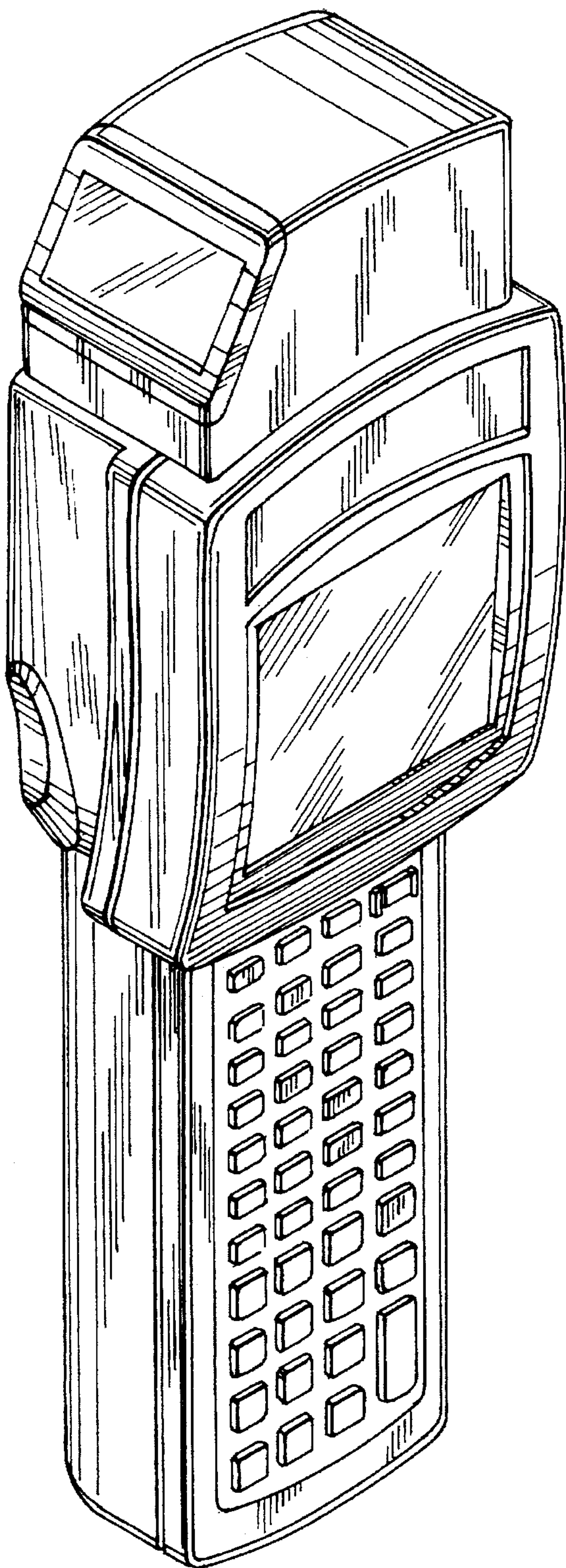


FIG. 1

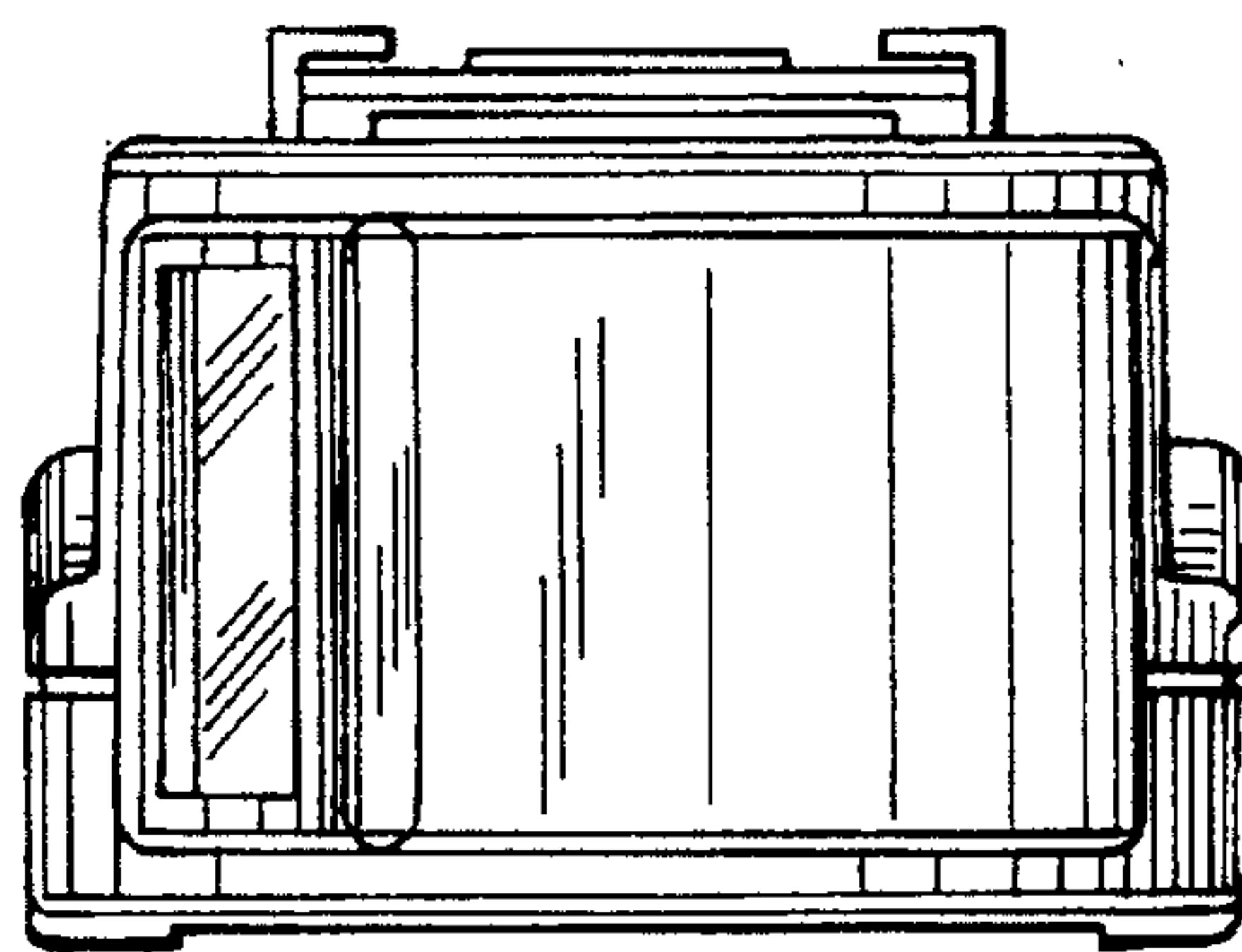


FIG. 2

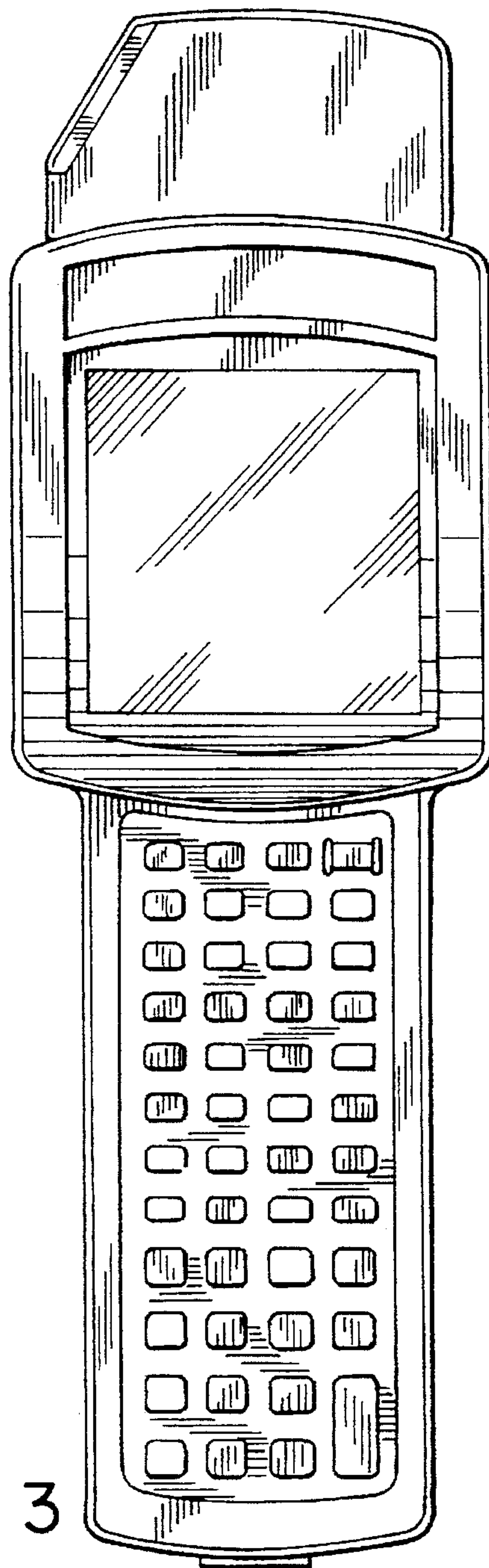


FIG. 3

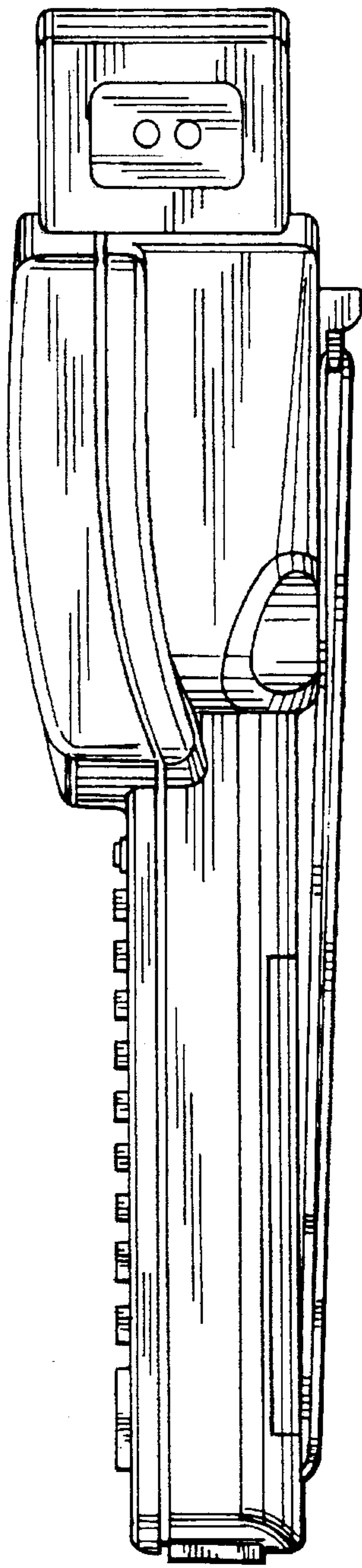


FIG. 4

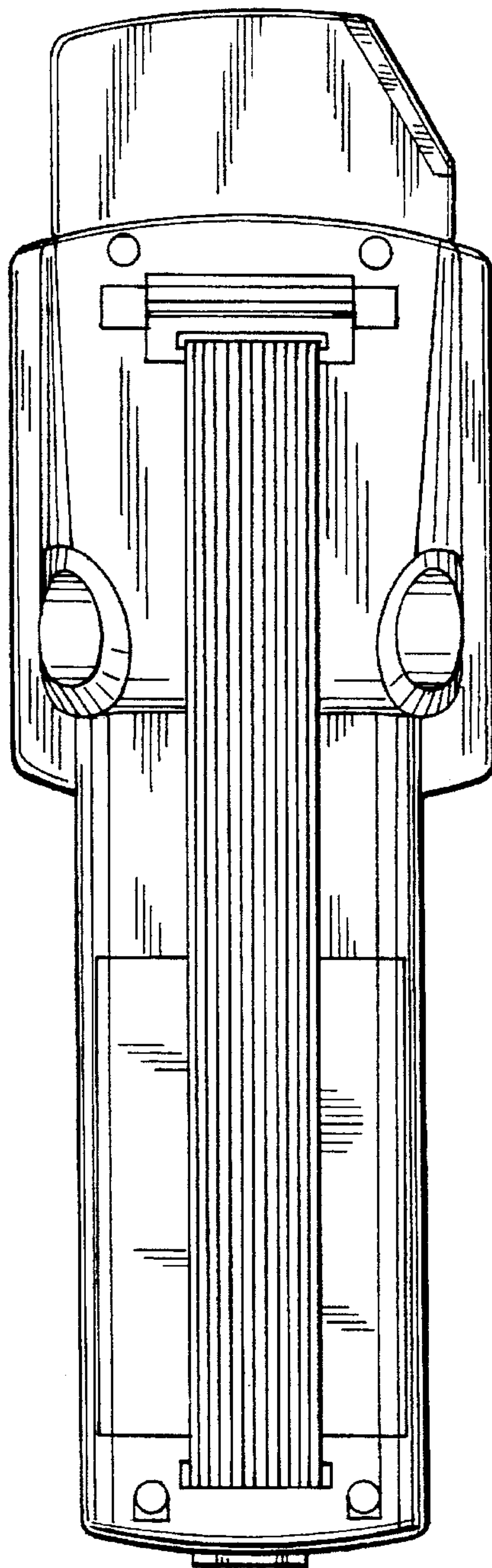


FIG. 5

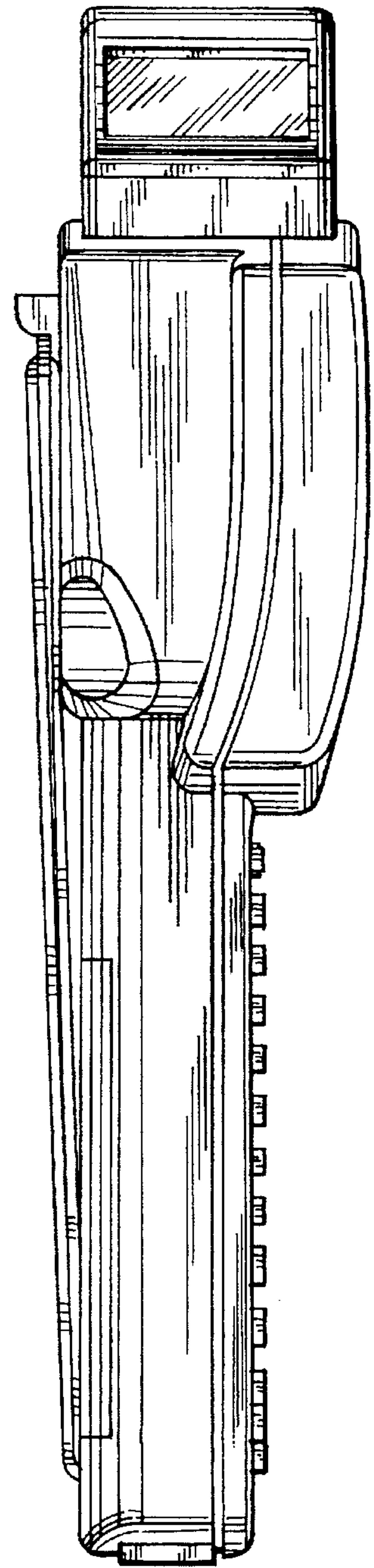


FIG. 6

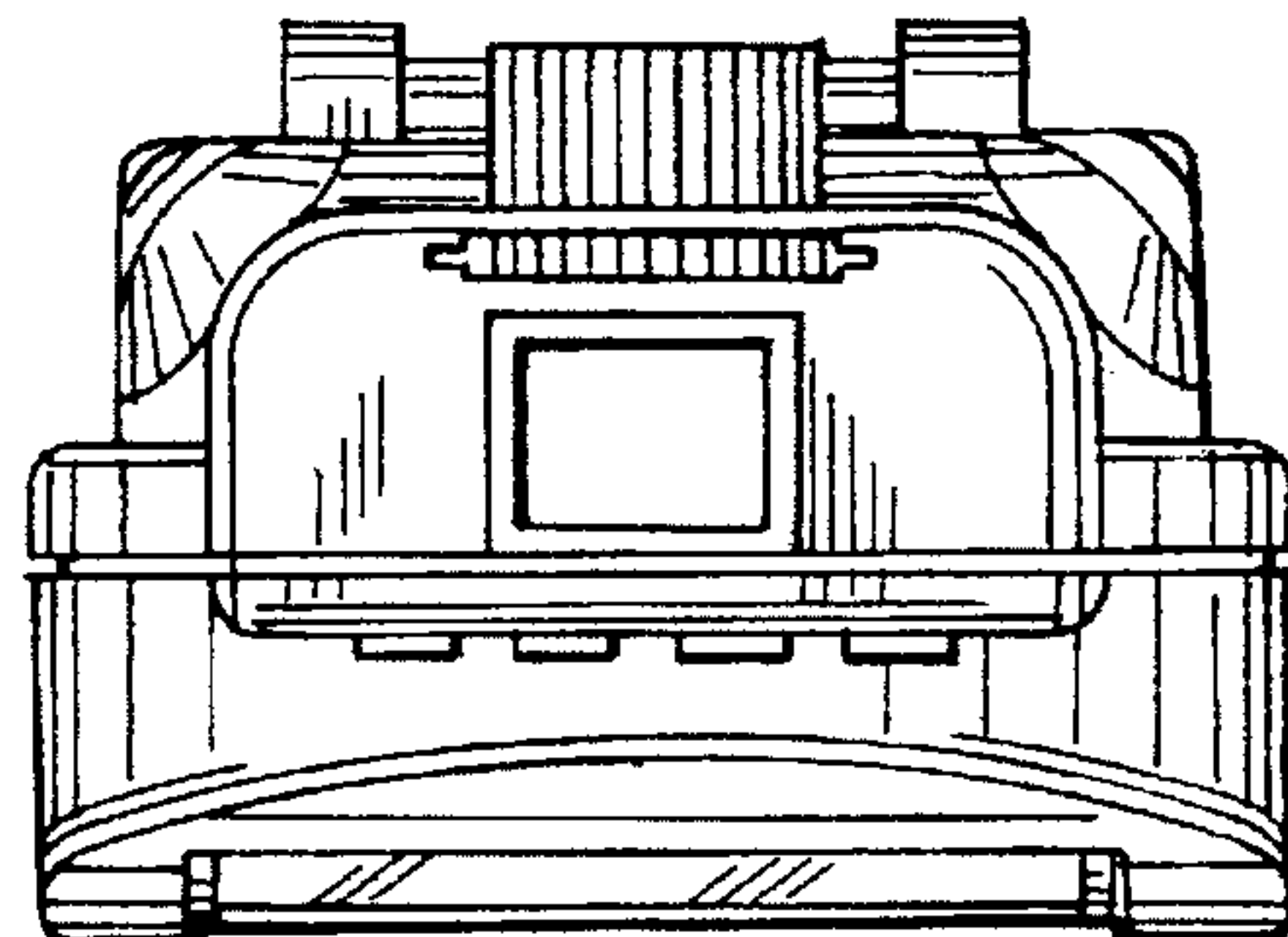


FIG. 7