



US00D383121S

**United States Patent** [19]  
**Sebastian**

[11] **Patent Number:** **Des. 383,121**

[45] **Date of Patent:** **\*\*Sep. 2, 1997**

[54] **HOLDER FOR A SCREEN ENHANCEMENT SYSTEM**

[76] **Inventor:** **Charles F. Sebastian**, 397 Downing Rd., Riverside, Ill. 60546-1734

[\*\*] **Term:** **14 Years**

[21] **Appl. No.:** **42,071**

[22] **Filed:** **Jul. 31, 1995**

[51] **LOC (6) Cl.** ..... **14-02**

[52] **U.S. Cl.** ..... **D14/114**

[58] **Field of Search** ..... D14/113-4, 239; D18/18, 22, 12; 348/832-5; 359/599, 601, 608-10, 614, 894

[56] **References Cited**

**U.S. PATENT DOCUMENTS**

D. 309,607	7/1990	Nemeth	.....	D14/114
D. 331,397	12/1992	Howitt et al.	.....	D14/114
D. 338,194	8/1993	Hartwig	.....	D14/114
D. 342,063	12/1993	Howitt et al.	.....	D14/114
D. 351,419	10/1994	Goekler	.....	D14/114 X
D. 355,219	2/1995	Jones et al.	.....	D14/114 X
D. 357,470	4/1995	Bergdoll et al.	.....	D14/114

D. 361,993	9/1995	Egly et al.	.....	14/114
4,529,268	7/1985	Brown	.....	350/276 R
4,577,928	3/1986	Brown	.....	350/276 R
4,712,870	12/1987	Robinson et al.	.....	350/243
4,958,907	9/1990	Davis	.....	350/243
5,048,928	9/1991	Davis	.....	359/809
5,130,853	7/1992	Sakurai	.....	359/803

*Primary Examiner*—M. H. Tung  
*Attorney, Agent, or Firm*—Gardner, Carton & Douglas

[57] **CLAIM**

The ornamental design for the holder for a screen enhancement system, as shown and described.

**DESCRIPTION**

FIG. 1 is a perspective view of a holder for a screen enhancement sytem showing my new design on a reduced scale;

FIG. 2 is a right side view thereof;

FIG. 3 is a top view thereof;

FIG. 4 is a front side view thereof;

FIG. 5 is a bottom view thereof;

FIG. 6 is a rear side view thereof; and,

FIG. 7 is a left side view thereof.

**1 Claim, 4 Drawing Sheets**

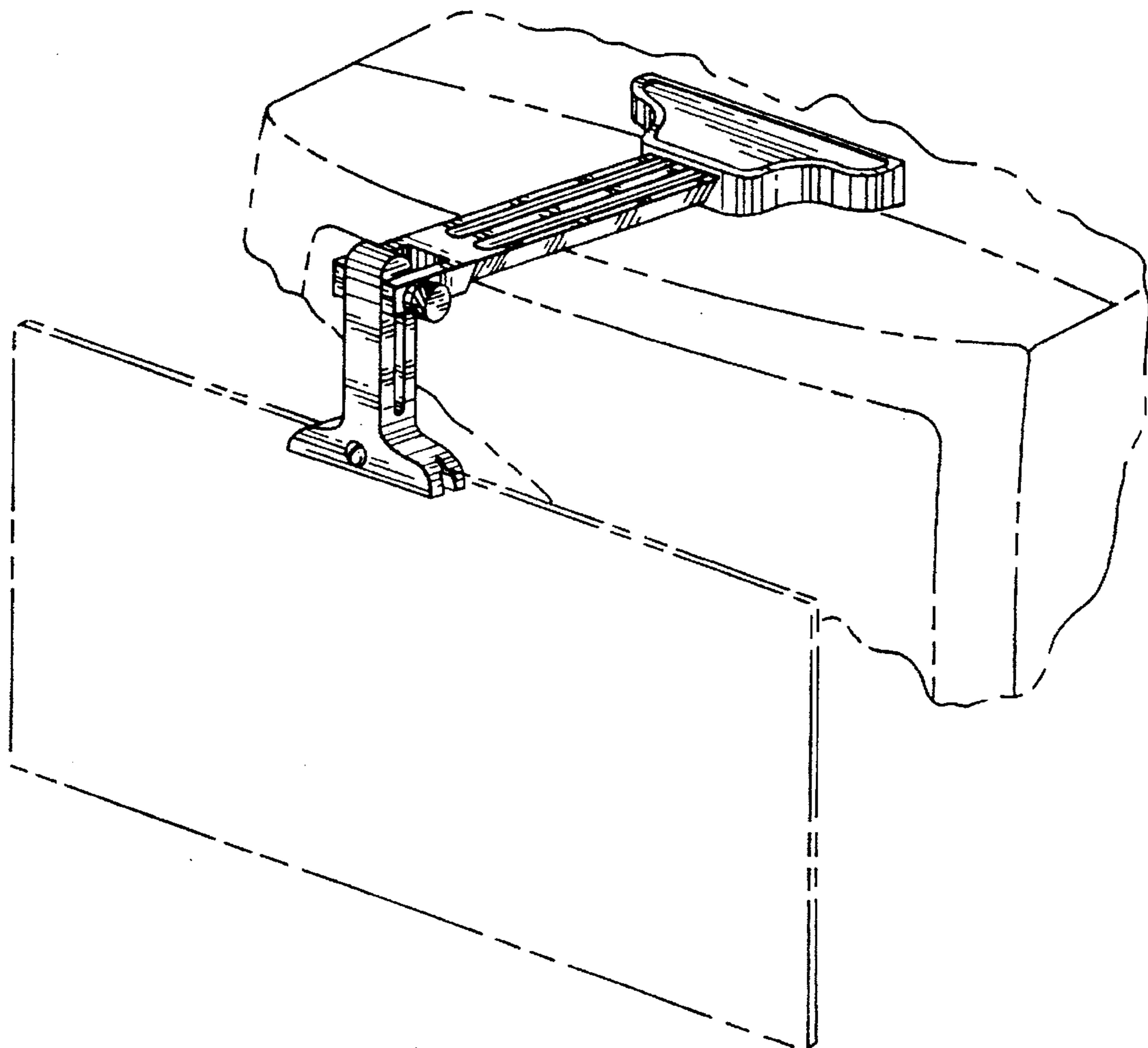


FIG. 1

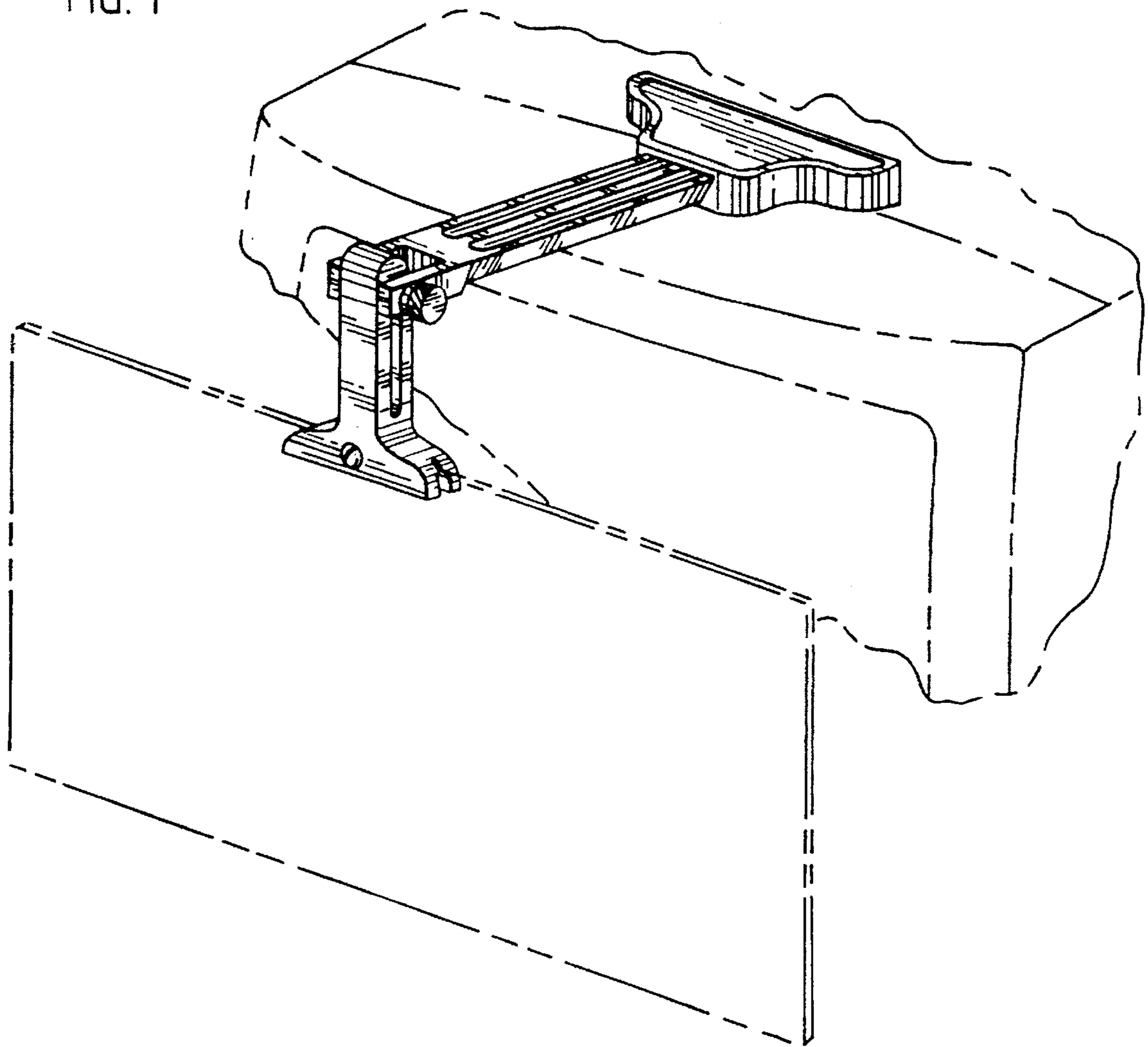


FIG. 2

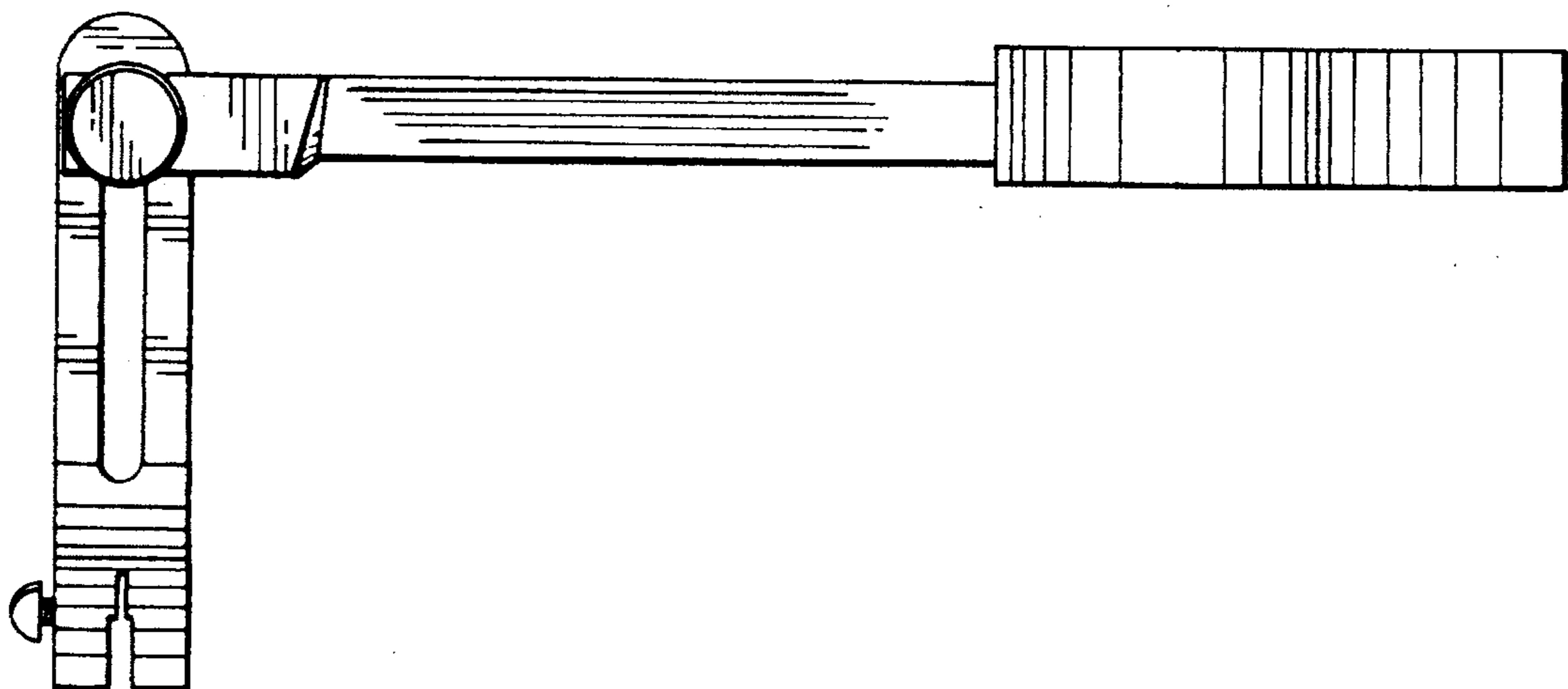


FIG. 3

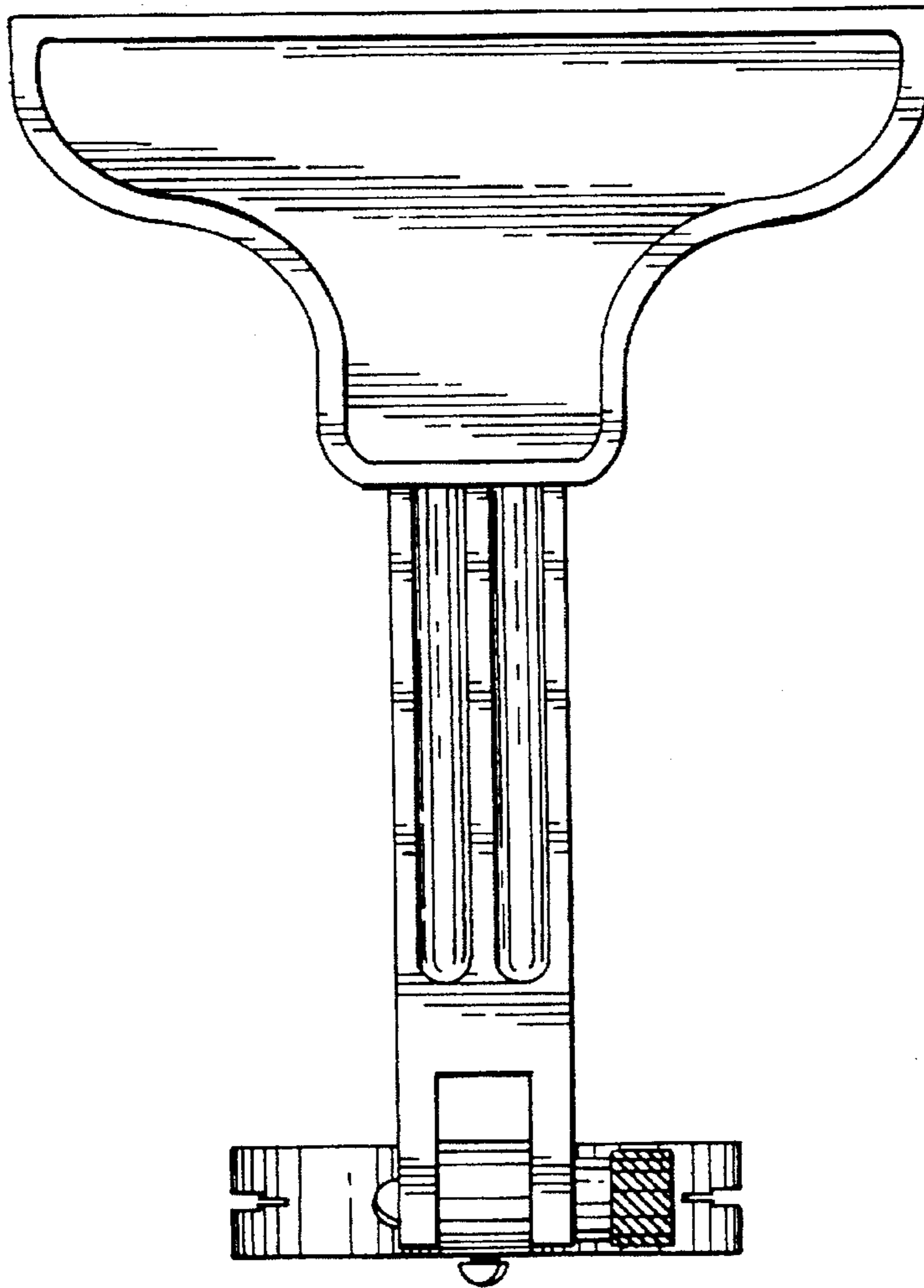


FIG. 4

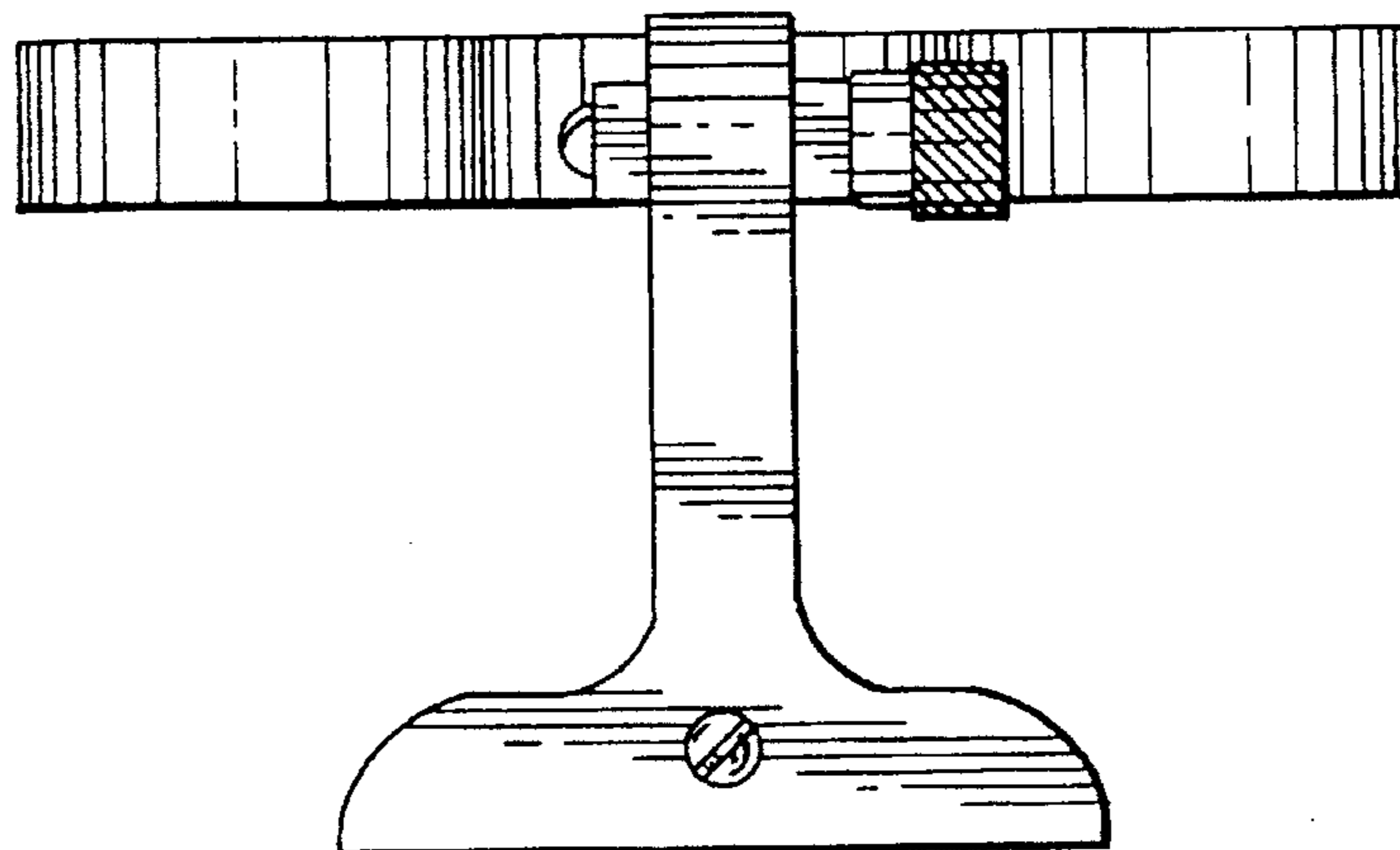


FIG. 5

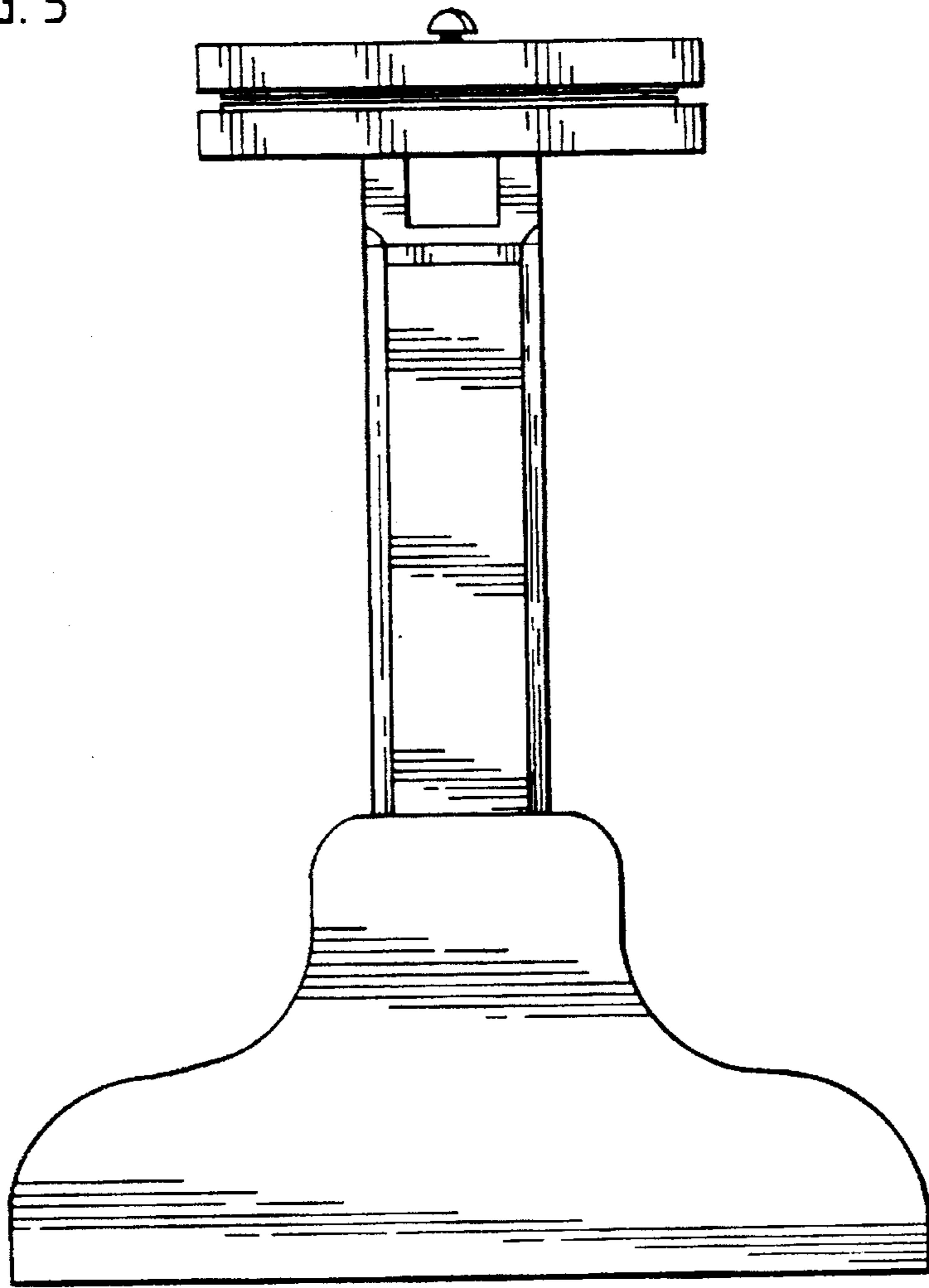


FIG. 6

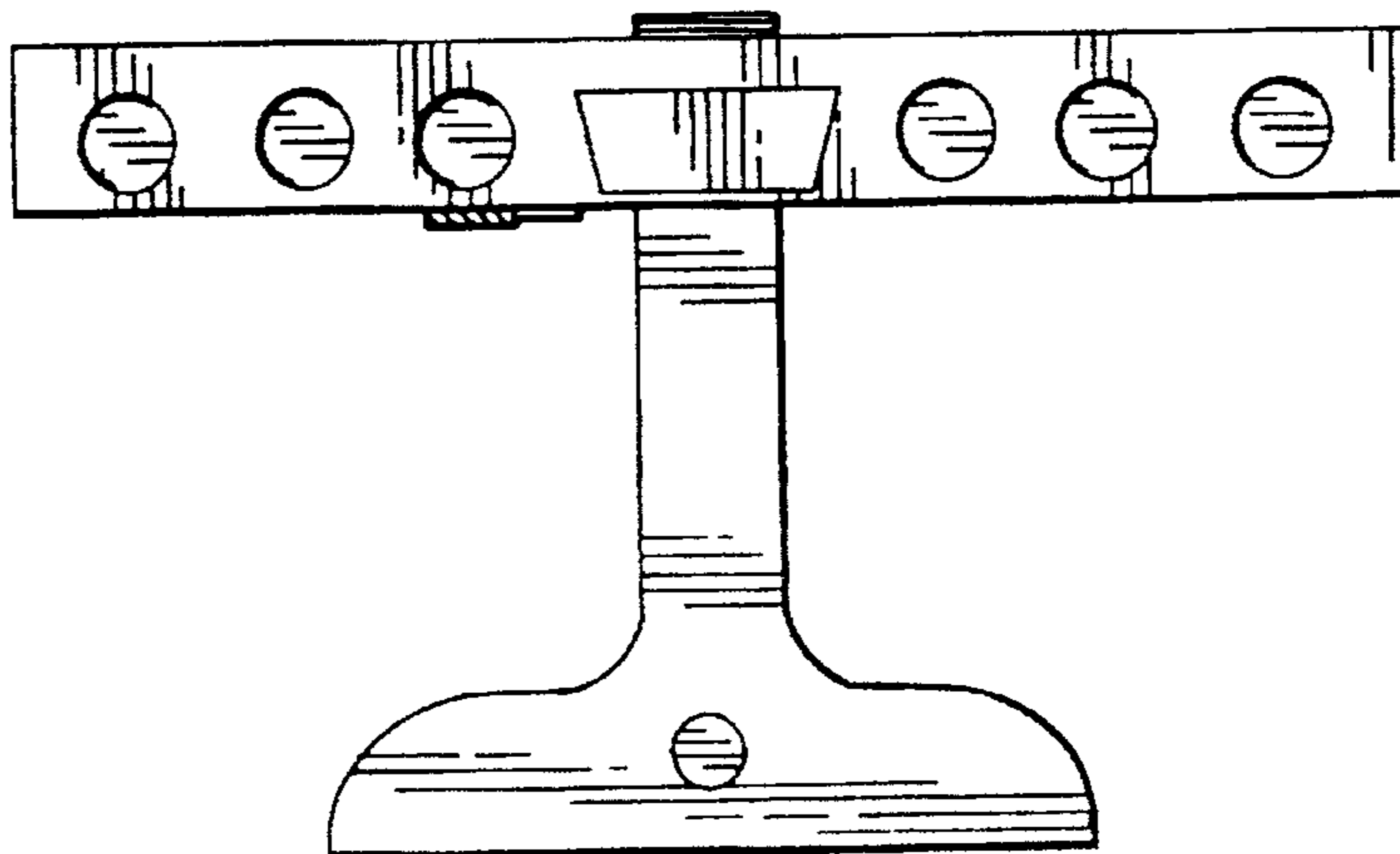


FIG. 7

