



US00D383116S

# United States Patent [19]

Hoss et al.

[11] Patent Number: Des. 383,116

[45] Date of Patent: \*\*Sep. 2, 1997

[54] HOUSING FOR POWER AMPLIFIER WITH INTEGRAL FAN

5,514,036 5/1996 Lin ..... 361/695 X

[75] Inventors: Jeffrey Gerard Hoss, Roselle; Jeffrey Alan Walter, Huntley; Jeffrey Apgar, West Chicago, all of Ill.

Primary Examiner—Antoine Duval Davis  
Attorney, Agent, or Firm—Raymond J. Warren

[73] Assignee: Motorola, Inc., Schaumburg, Ill.

[57] CLAIM

[\*\*] Term: 14 Years

The ornamental design for a housing for power amplifier with integral fan, as shown.

[21] Appl. No.: 46,257

DESCRIPTION

[22] Filed: Nov. 9, 1995

FIG. 1, is a perspective view of housing for power amplifier with integral fan showing top, front and right side view; FIG. 2, is a right plan view of housing for power amplifier with integral fan; FIG. 3, is a back plan view of housing for power amplifier with integral fan; FIG. 4, is a left plan view of housing for power amplifier with integral fan; and, FIG. 5, is a bottom plan view of housing for power amplifier with integral fan.

[51] LOC (6) Cl. .... 13-03

[52] U.S. Cl. .... D13/123

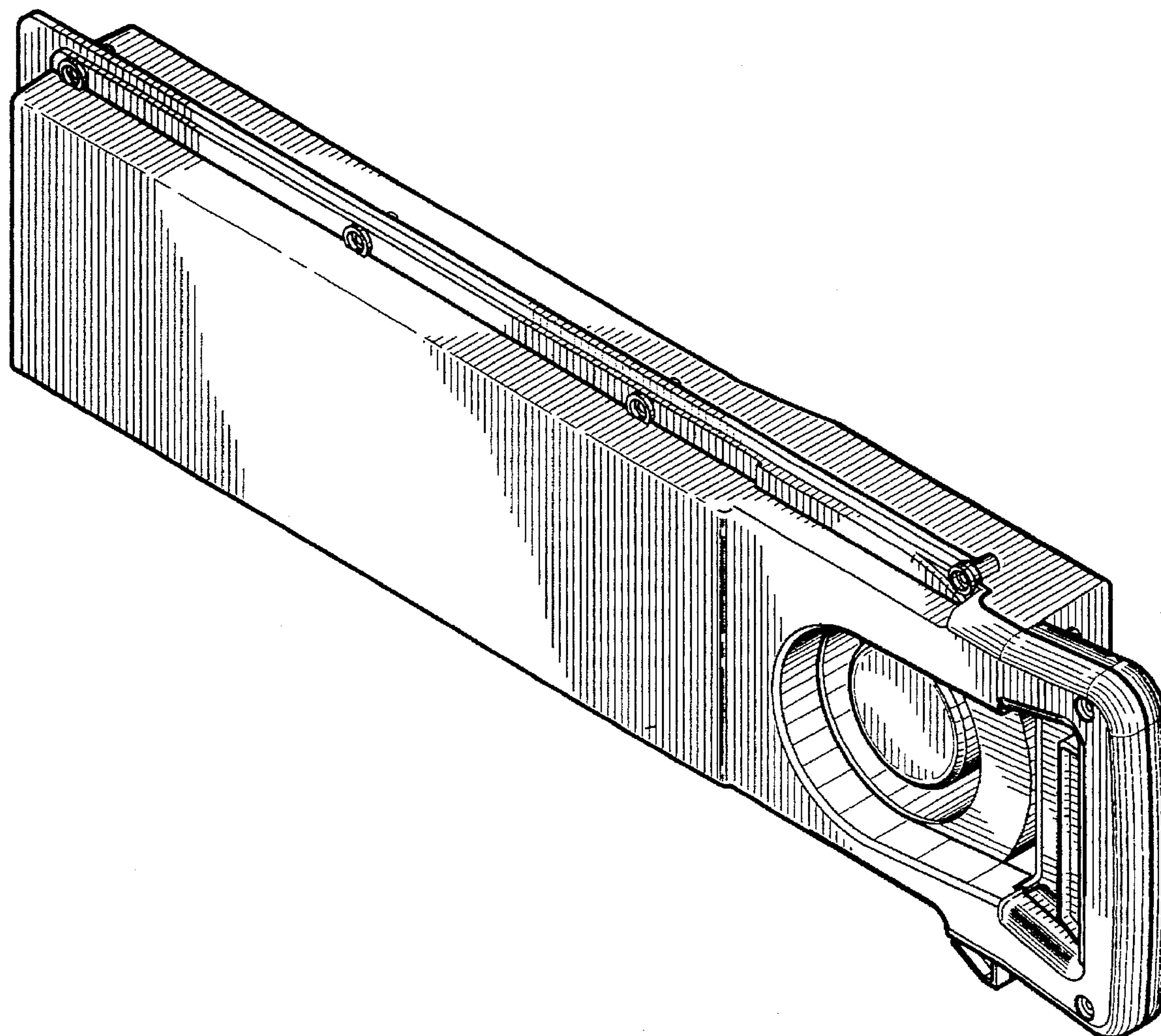
[58] Field of Search ..... D13/110, 123, D13/179; 361/688-690, 694-697

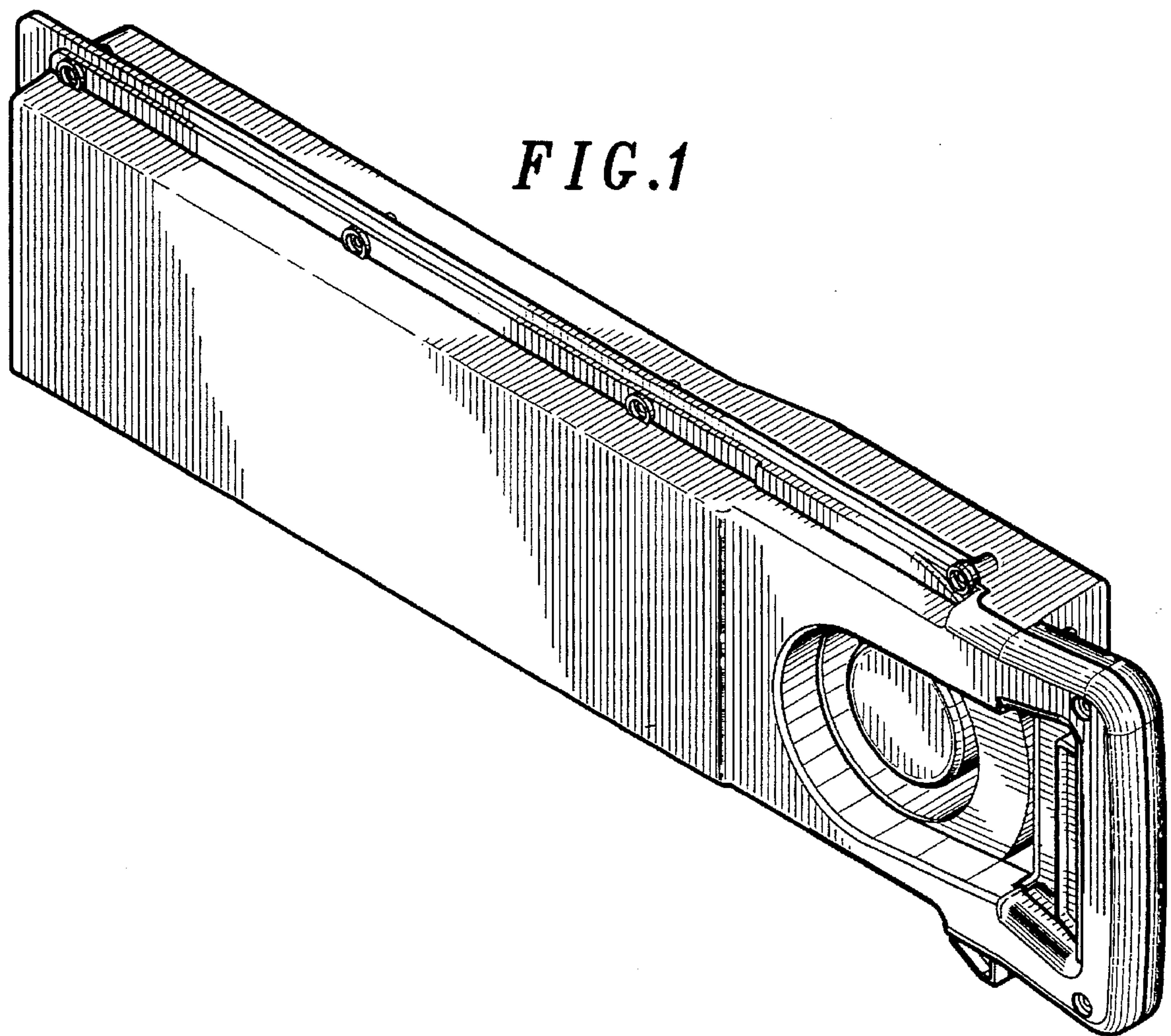
[56] References Cited

U.S. PATENT DOCUMENTS

5,287,009 2/1994 Heung ..... 361/695 X

1 Claim, 2 Drawing Sheets

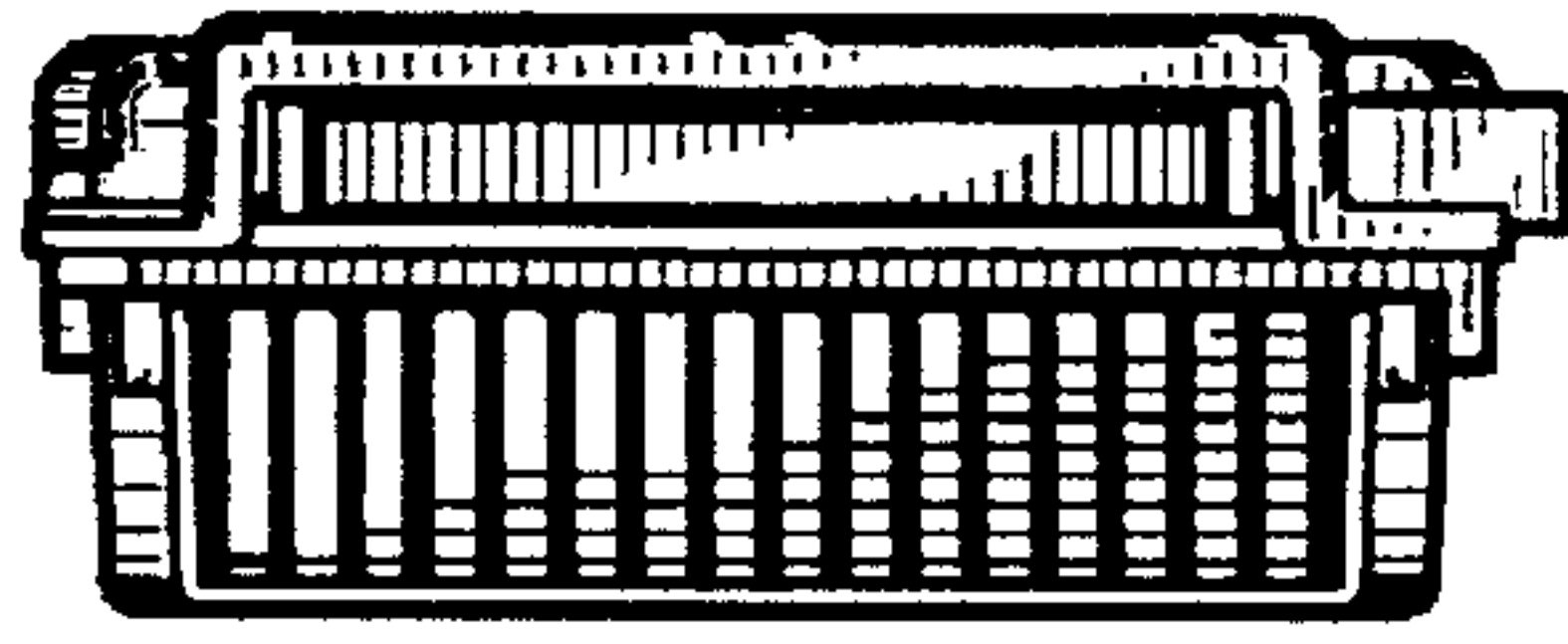




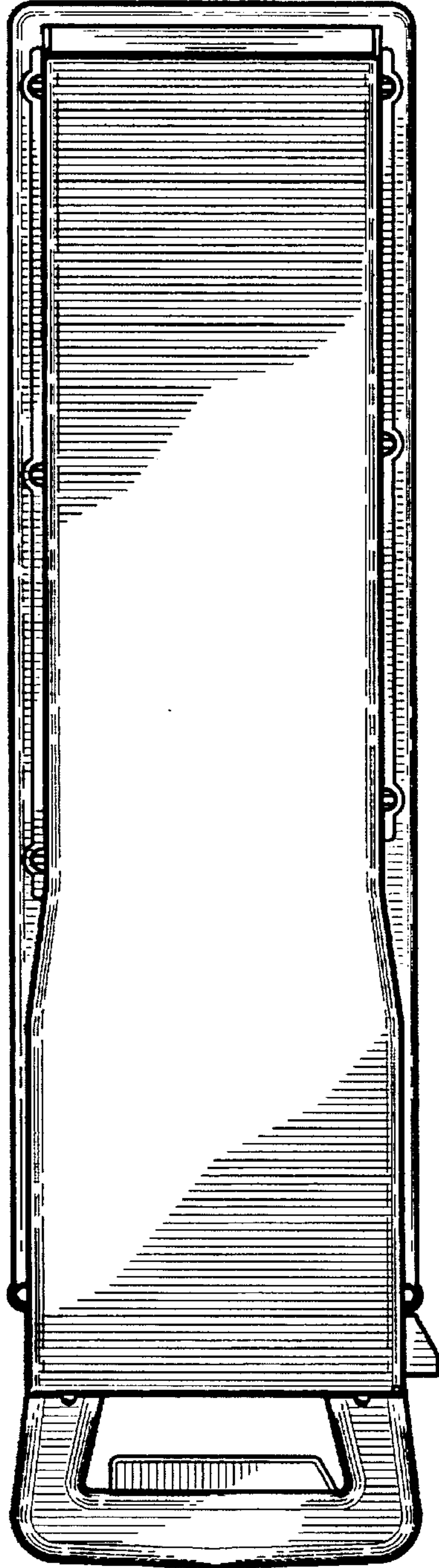
*FIG. 1*



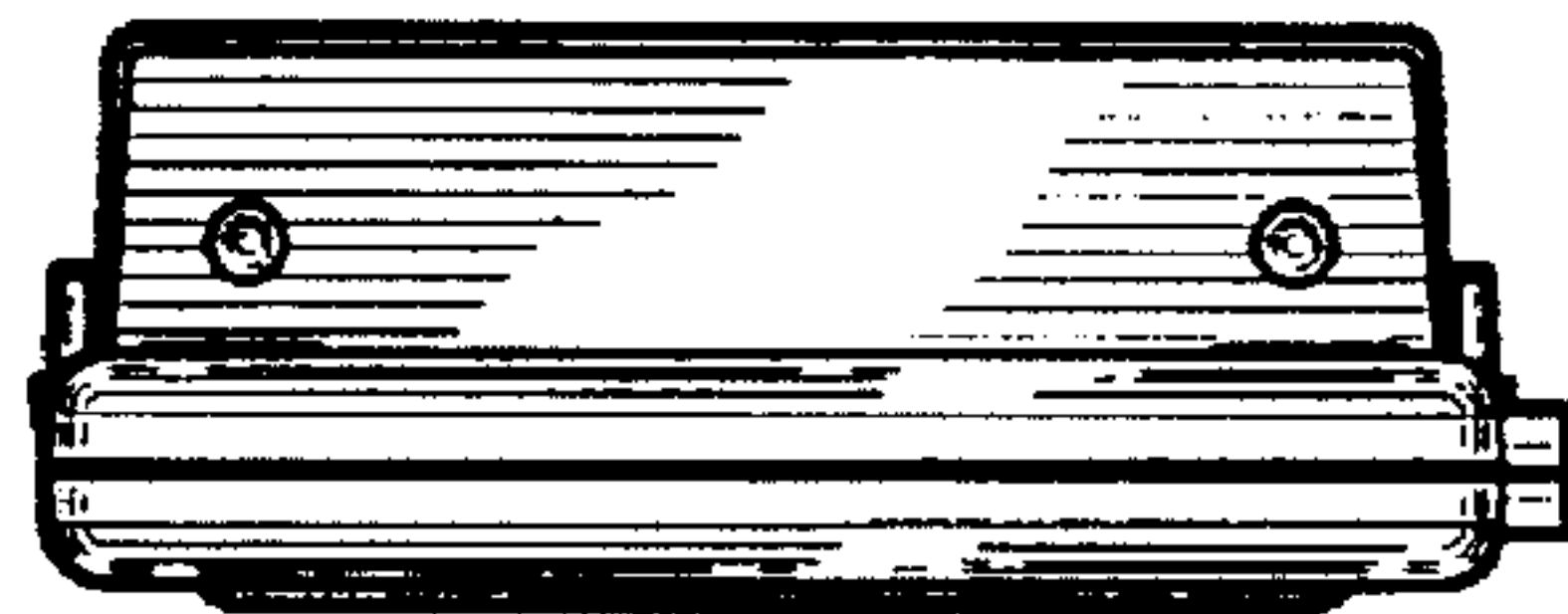
*FIG. 4*



*FIG. 3*



*FIG. 2*



*FIG. 5*

