

US00D383115S

United States Patent [19]

Nagele et al.

[11] Patent Number: Des. 383,115

[45] Date of Patent: **Sep. 2, 1997

[54] **POWER ADAPTER**

[75] Inventors: **Albert L. Nagele**, Wilmette; **Leonid Soren**, Lincolnwood; **Steven W. Kaminski**, Round Lake Beach; **Stephen J. Gaynes**, Wonder Lake, all of Ill.

[73] Assignee: **Motorola, Inc.**, Schaumburg, Ill.

[**] Term: **14 Years**

[21] Appl. No.: **44,578**

[22] Filed: **Sep. 26, 1995**

[51] LOC (6) Cl. **13-02**

[52] U.S. Cl. **D13/110**

[58] Field of Search D13/110; 363/146; 439/166-179, 638-655, 668, 669, 945

[56] **References Cited**

U.S. PATENT DOCUMENTS

D. 350,113	8/1994	Negele	D13/110
4,543,624	9/1985	Rumble	363/146
5,019,767	5/1991	Shirai et al.	D13/110 X
5,159,545	10/1992	Lee	D13/110 X

Primary Examiner—Antoine Duval Davis

Attorney, Agent, or Firm—Daniel W. Juffernbruch

[57] **CLAIM**

The ornamental design for a power adapter, as shown and described.

DESCRIPTION

FIG. 1 is a top rear and right side perspective view of the power adapter showing our new design;

FIG. 2 is a front view thereof;

FIG. 3 is a left side view thereof;

FIG. 4 is a bottom rear view thereof;

FIG. 5 is a bottom rear and left side perspective view thereof;

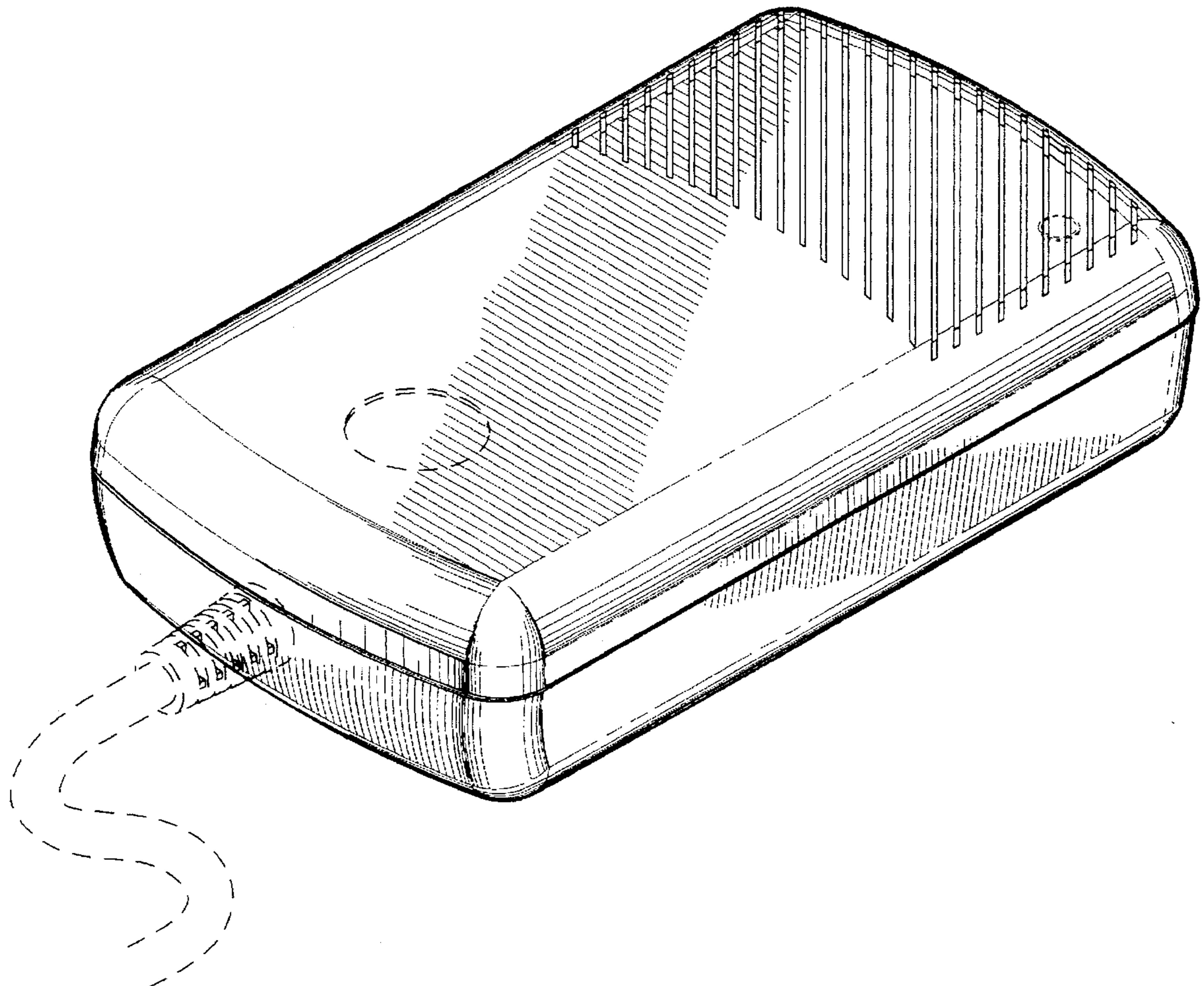
FIG. 6 is a bottom rear and left side perspective view thereof with a first prong member according to another embodiment;

FIG. 7 is a bottom rear and left side perspective view thereof with a second prong member according to an additional embodiment; and,

FIG. 8 is a bottom rear and left side perspective view thereof with a third prong member according to a further embodiment.

The broken line showings are for illustrative purposes only and forms no part of the claimed design.

1 Claim, 4 Drawing Sheets



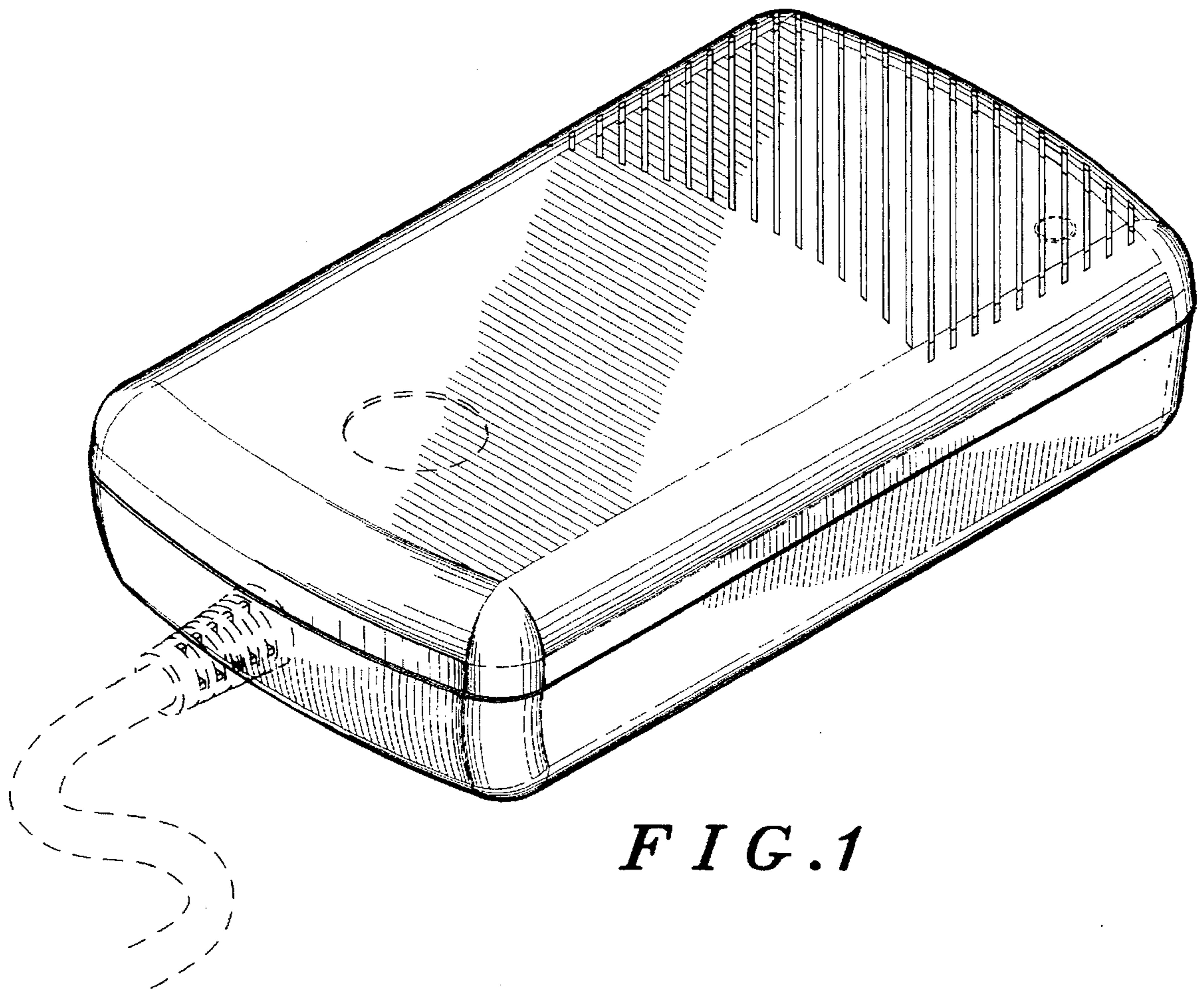


FIG. 1

FIG. 2

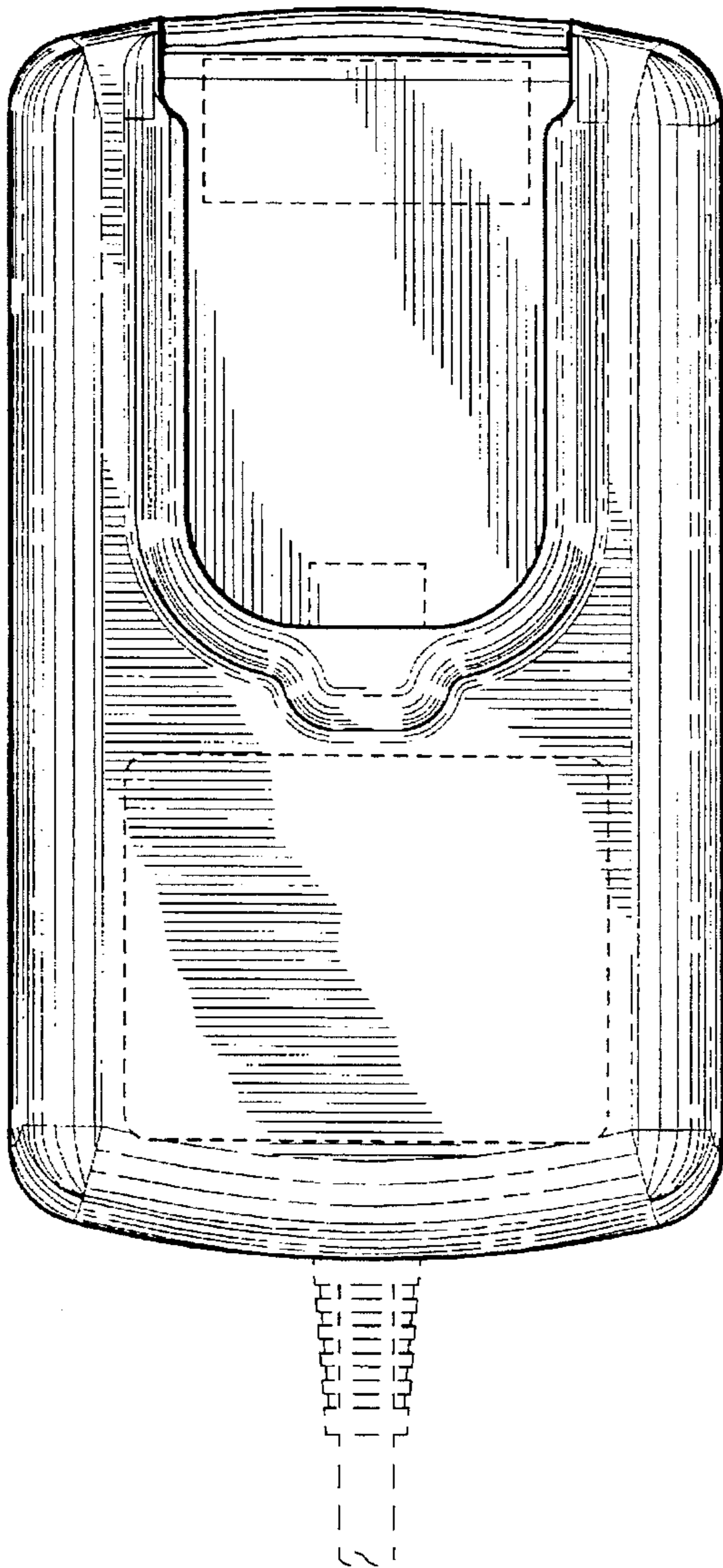
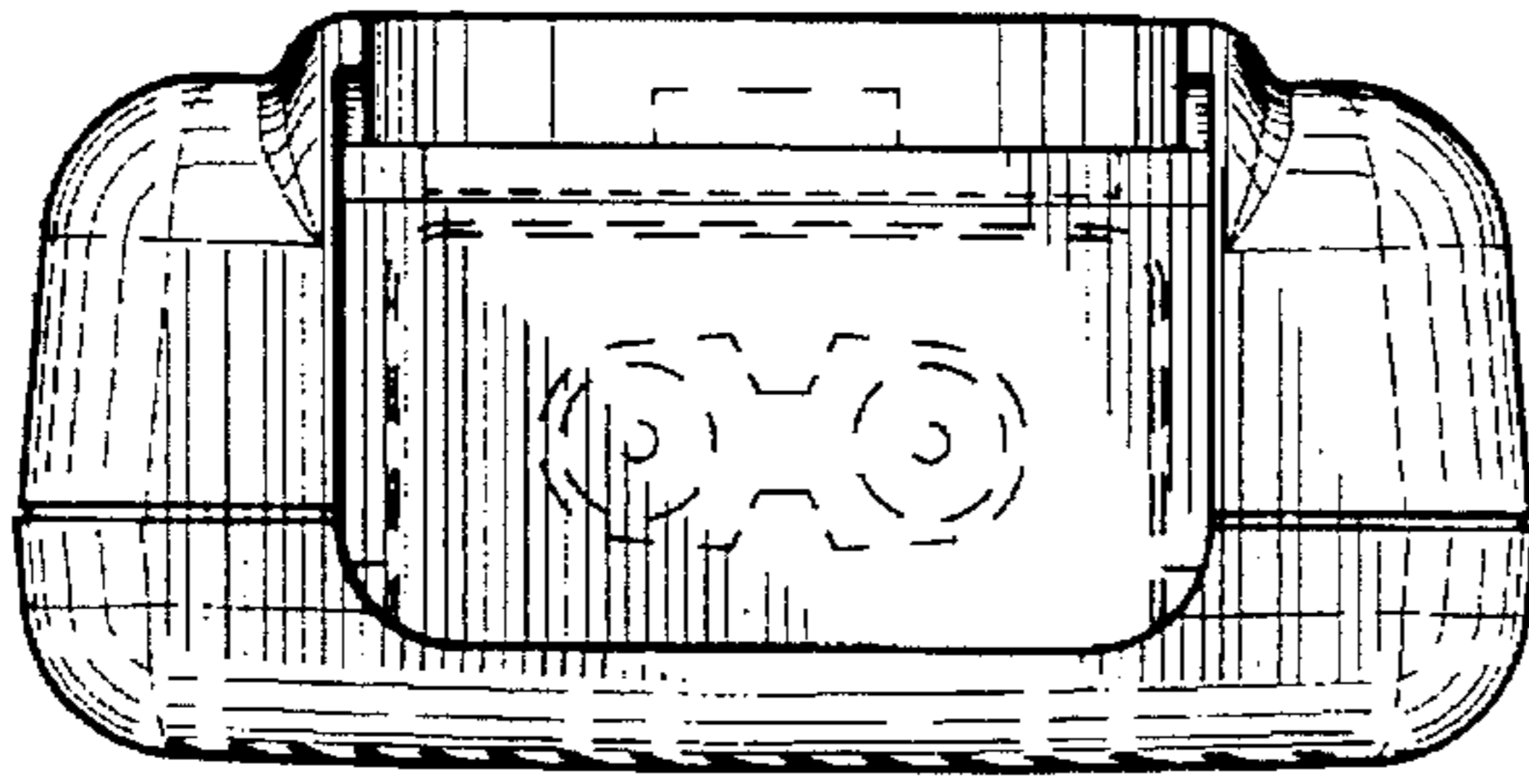


FIG. 4

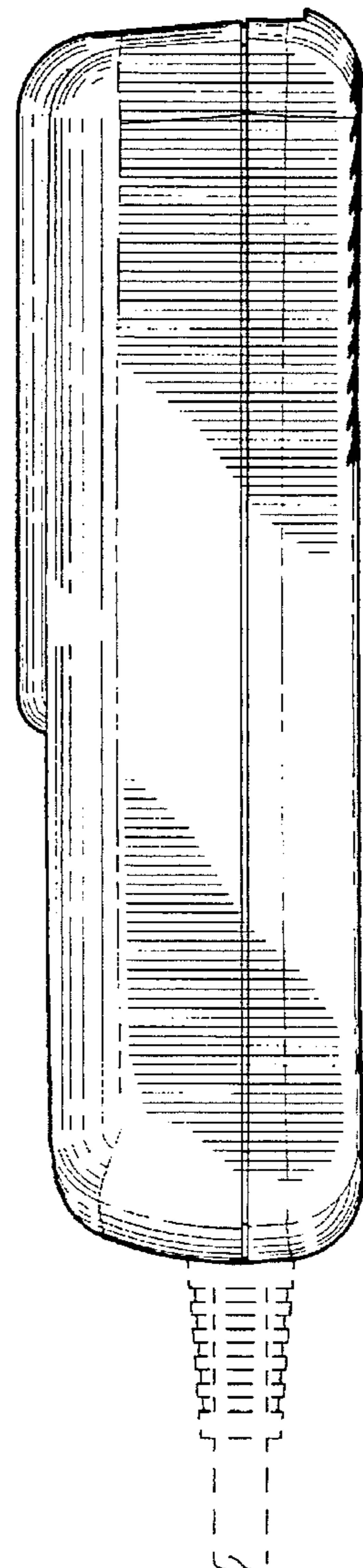


FIG. 3

FIG. 5

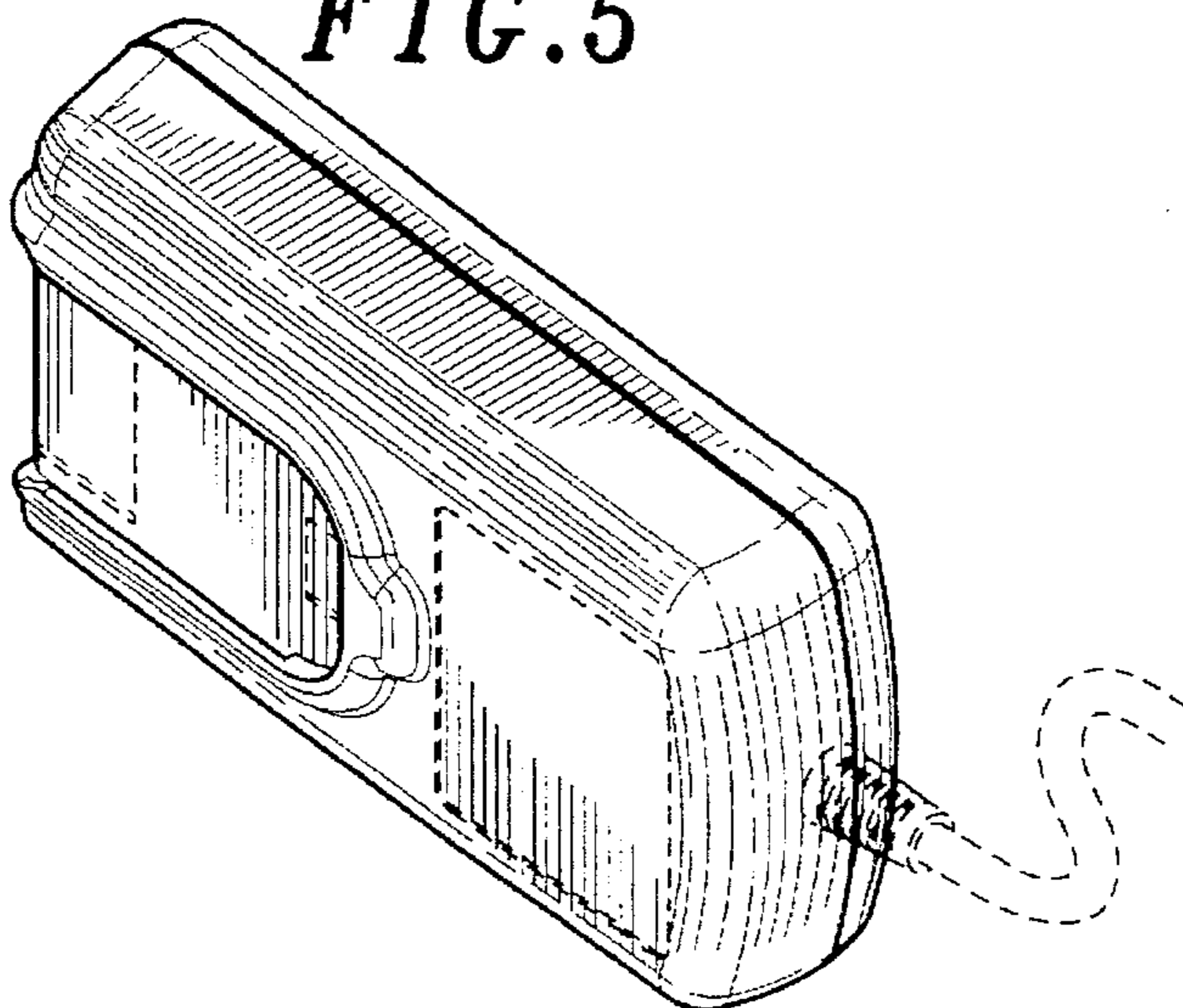


FIG. 6

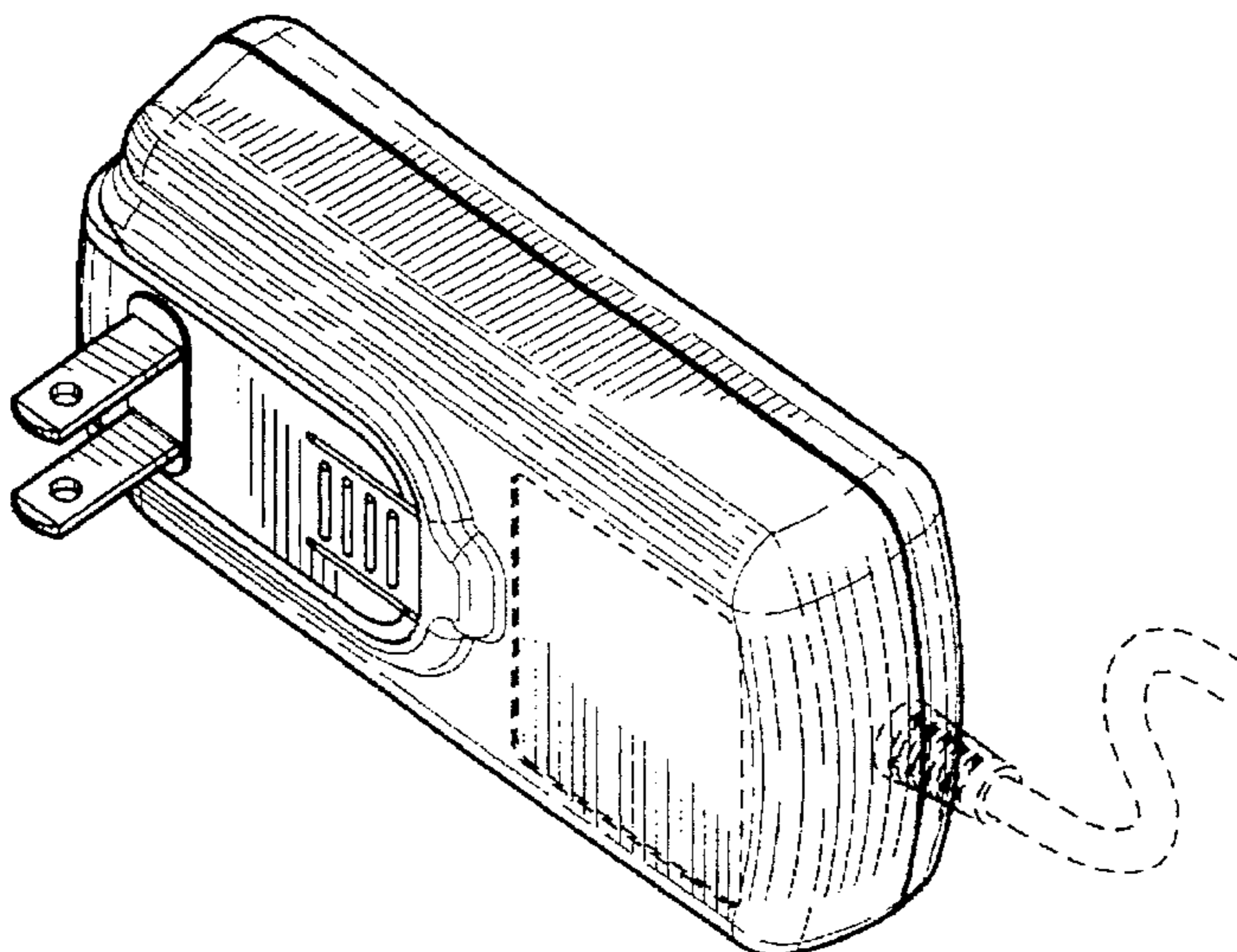
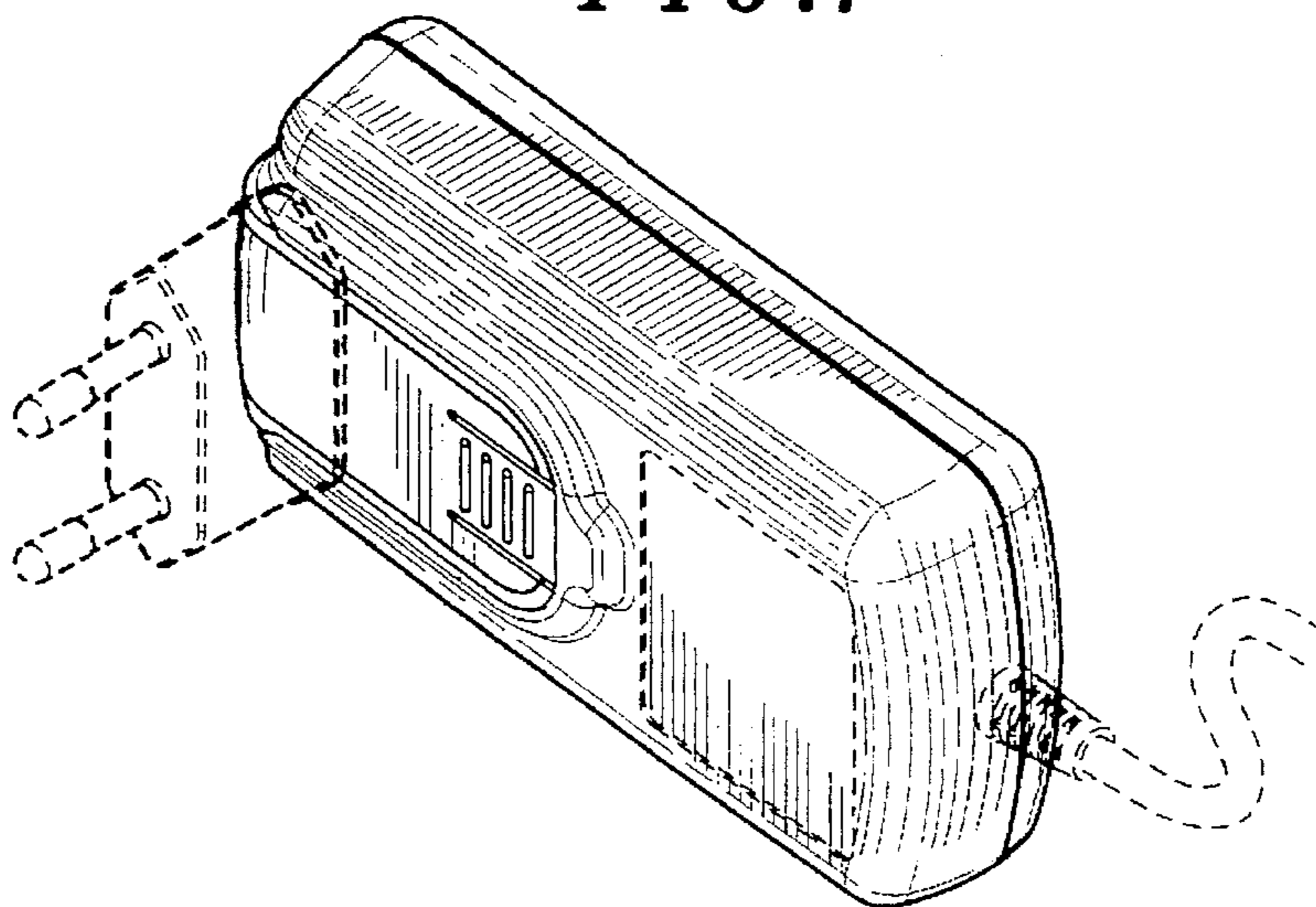


FIG. 7



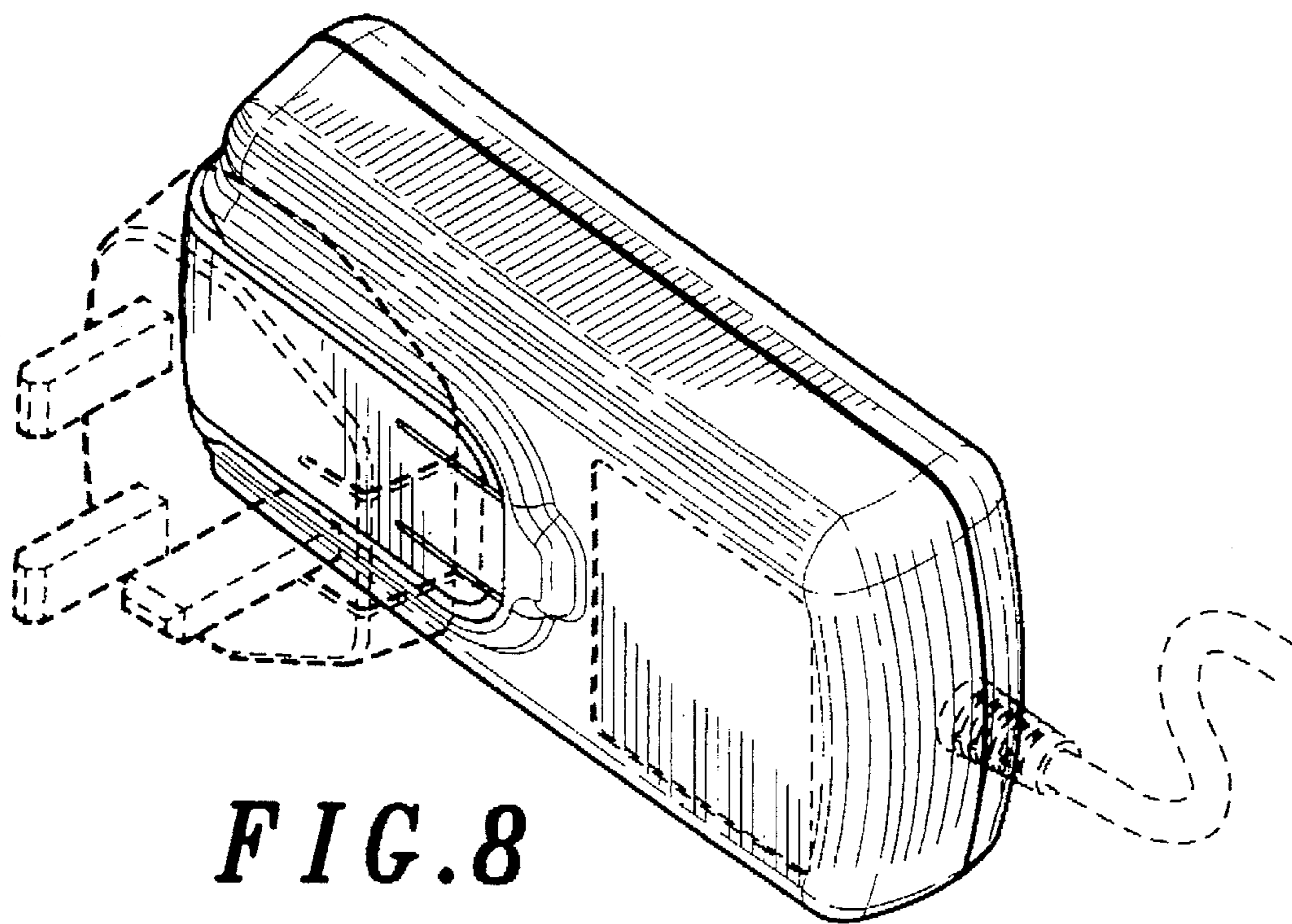


FIG. 8