



US00D383114S

United States Patent [19]

[11] Patent Number: **Des. 383,114**

Wandler et al.

[45] Date of Patent: ****Sep. 2, 1997**

[54] **TRACK LIGHTING TRANSFORMER**

5,377,075 12/1994 Schmid et al. 361/674

[75] Inventors: **Donald Wandler**, Racine, Wis.; **Julito A. Bustamante**, Waukegan, Ill.; **Kent Solberg**; **Cory Ternberg**, both of Racine, Wis.

Primary Examiner—Antoine Duval Davis
Attorney, Agent, or Firm—Jansson & Shupe, Ltd.

[73] Assignee: **Ruud Lighting, Inc.**, Racine, Wis.

[57] **CLAIM**

[**] Term: **14 Years**

The ornamental design for a track lighting transformer, as shown.

[21] Appl. No.: **44,172**

DESCRIPTION

[22] Filed: **Sep. 19, 1995**

FIG. 1 is a perspective view of the design of this application; FIG. 2 is a front elevation of the design of this application; FIG. 3 is a top plan view of the design of this application; FIG. 4 is a left side elevation of the design of this application;

[51] **LOC (6) Cl.** **13-02**

[52] **U.S. Cl.** **D13/110**

[58] **Field of Search** D13/110, 118, D13/142; 174/50, 52.2, DIG. 2; 307/150; 336/90; 361/674, 836; 363/15

FIG. 5 is a right side elevation of the design of this application;

FIG. 6 is a bottom plan view of the design of this application; and,

FIG. 7 is a rear elevation of the design of this application.

[56] **References Cited**

U.S. PATENT DOCUMENTS

D. 290,524 6/1987 Kusmer D13/110

1 Claim, 3 Drawing Sheets

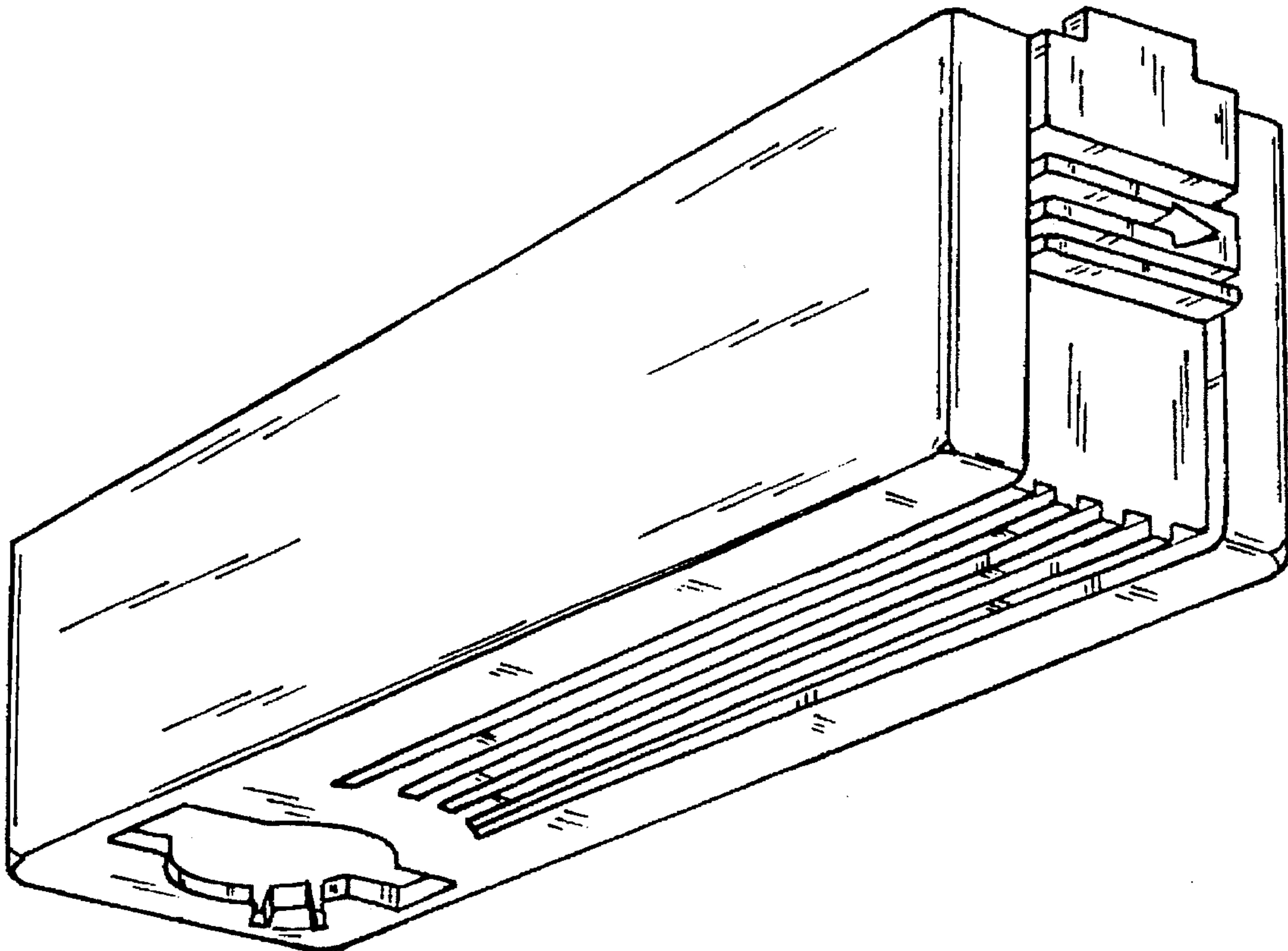


FIG. 1

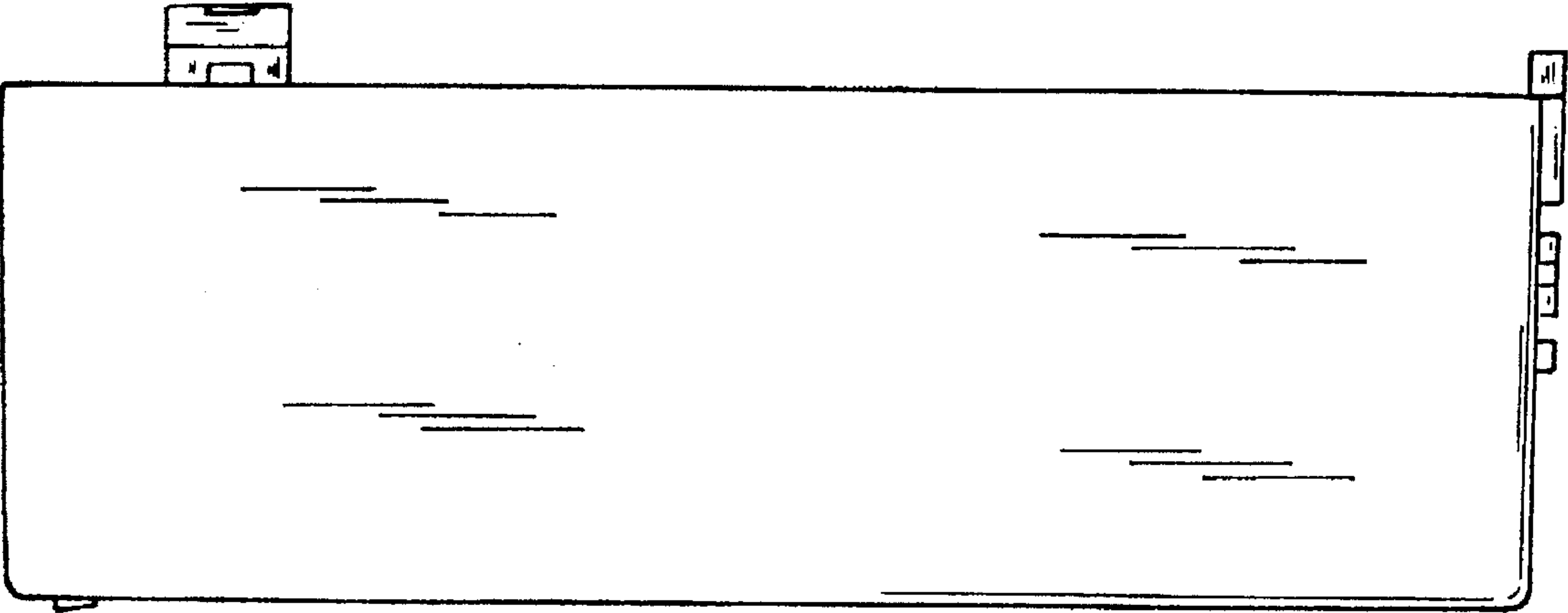
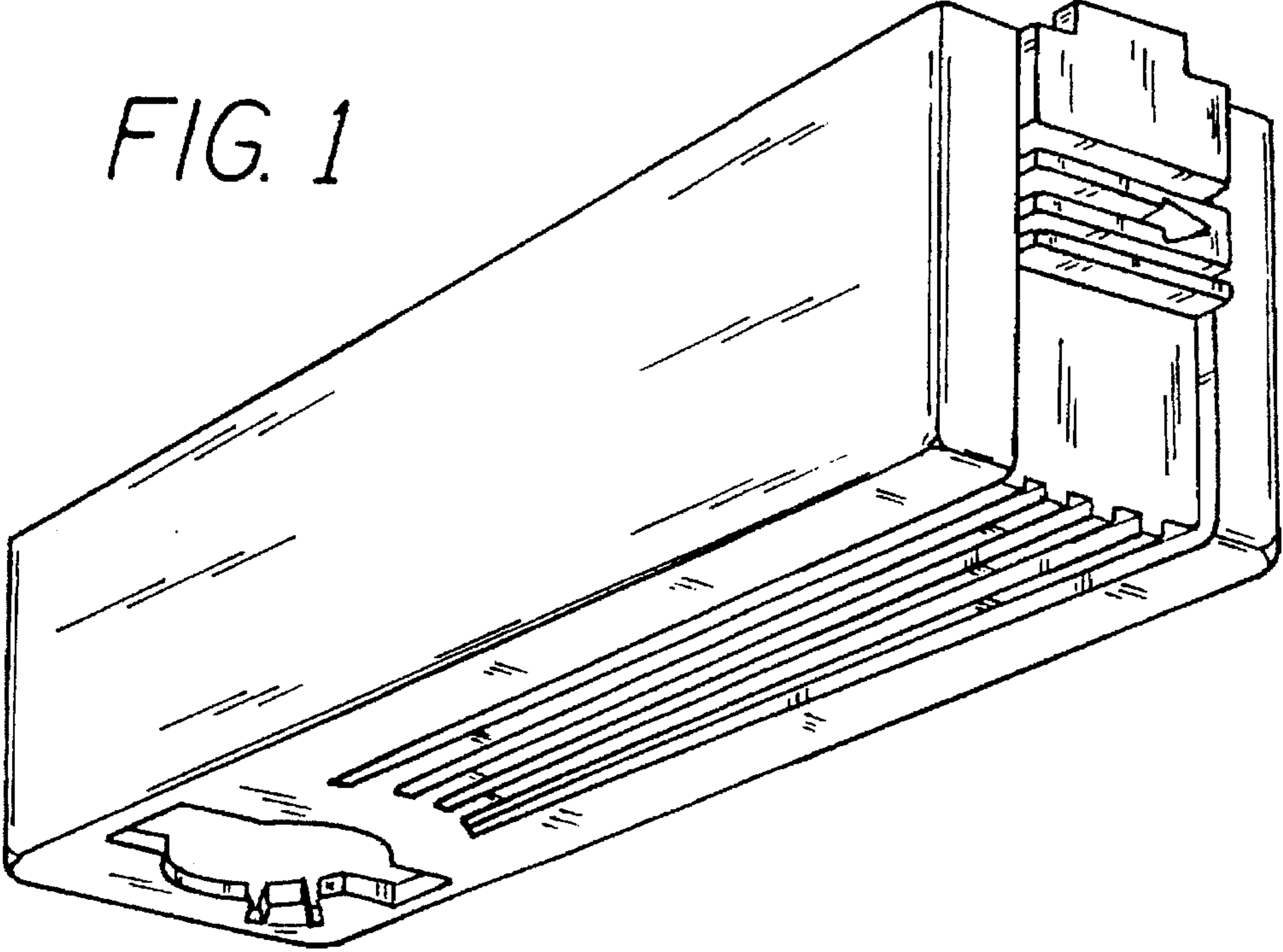


FIG. 2

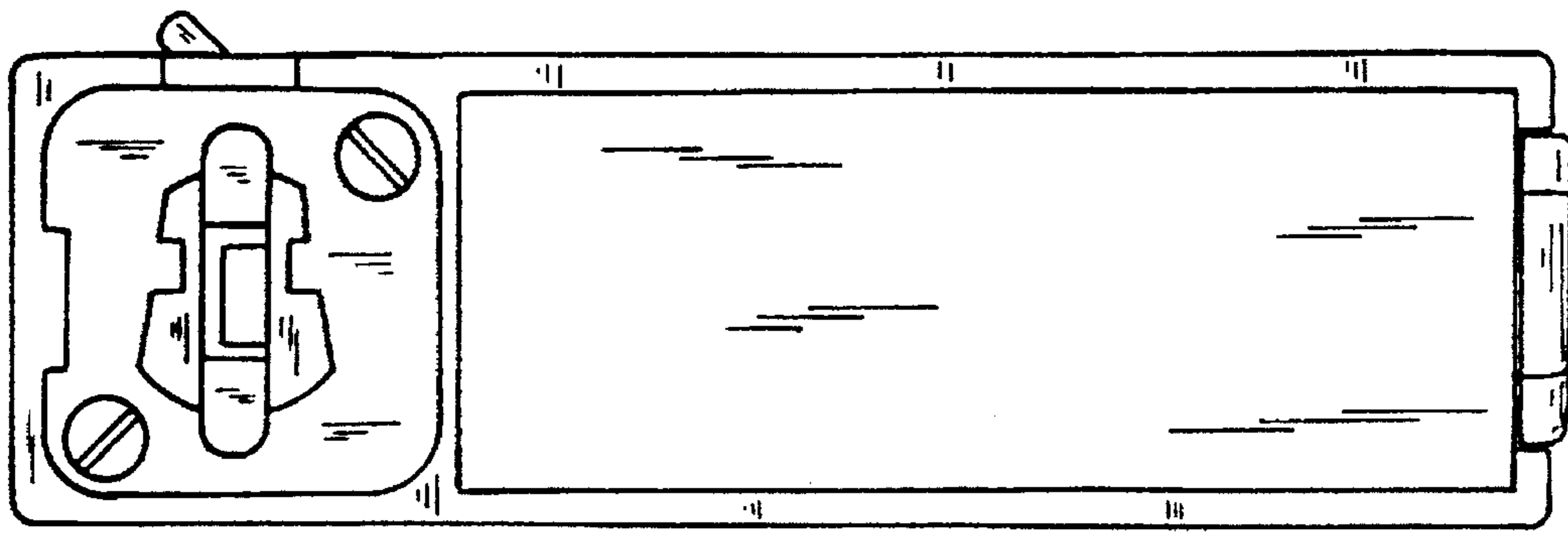


FIG. 3

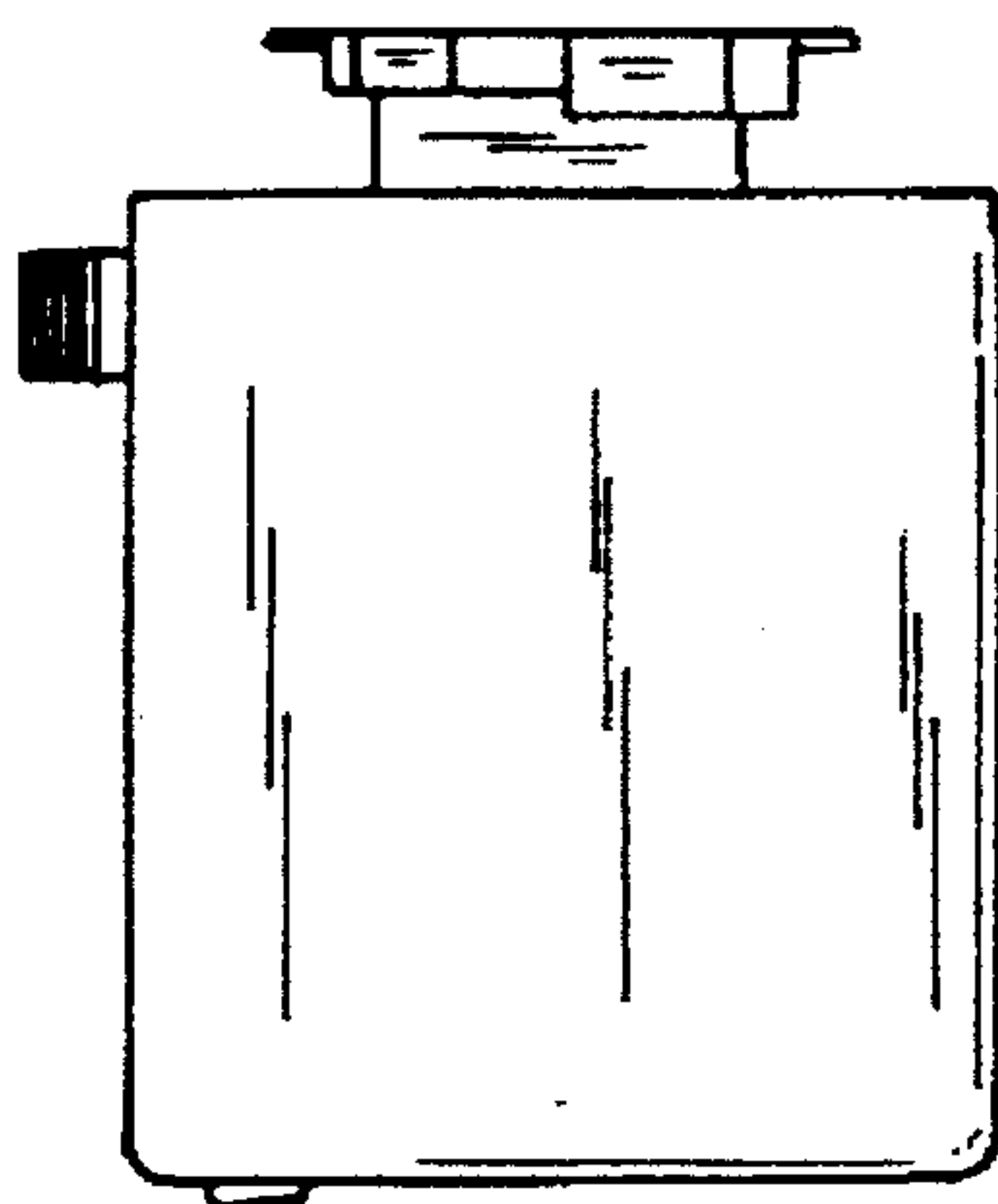


FIG. 4

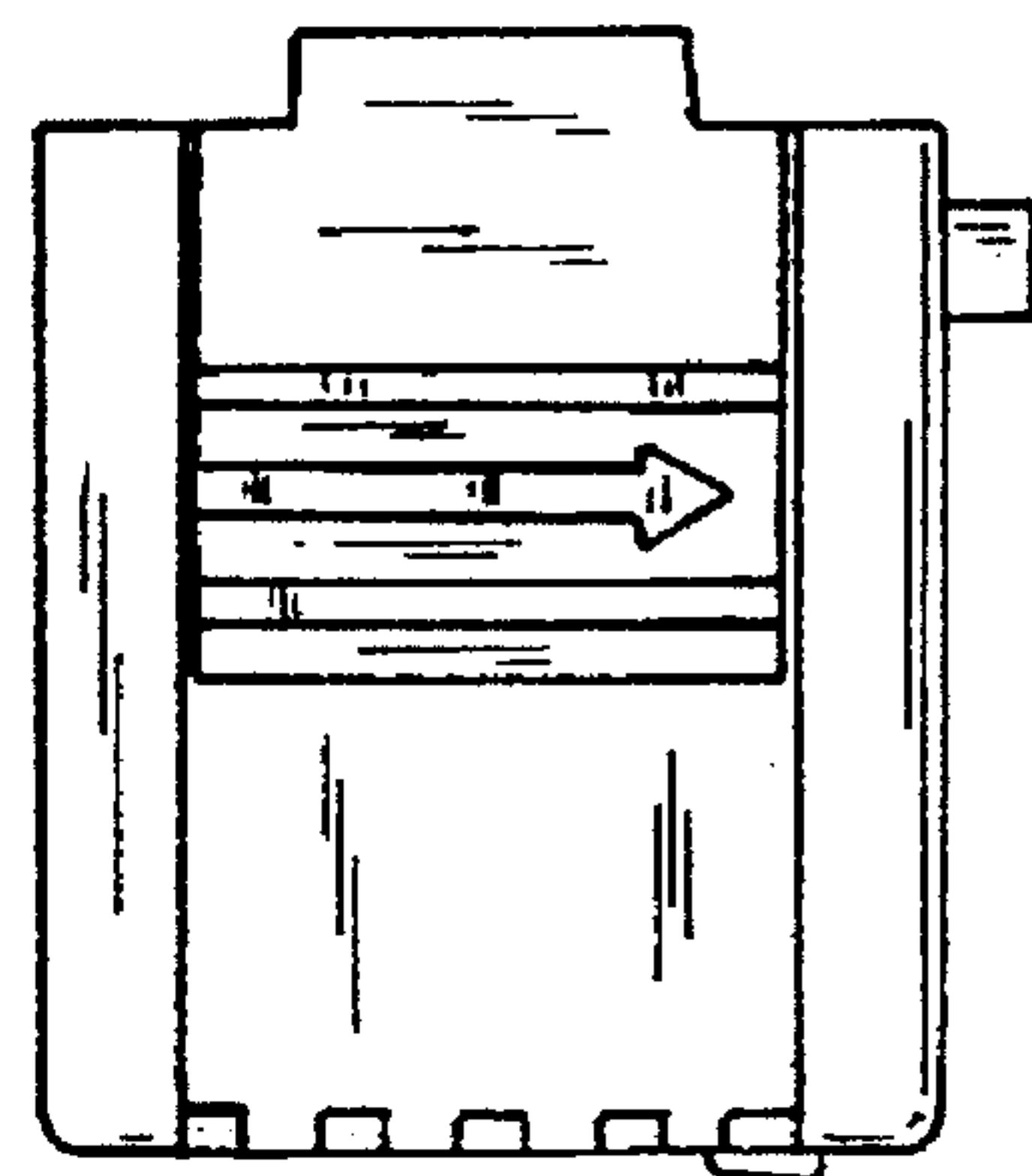


FIG. 5

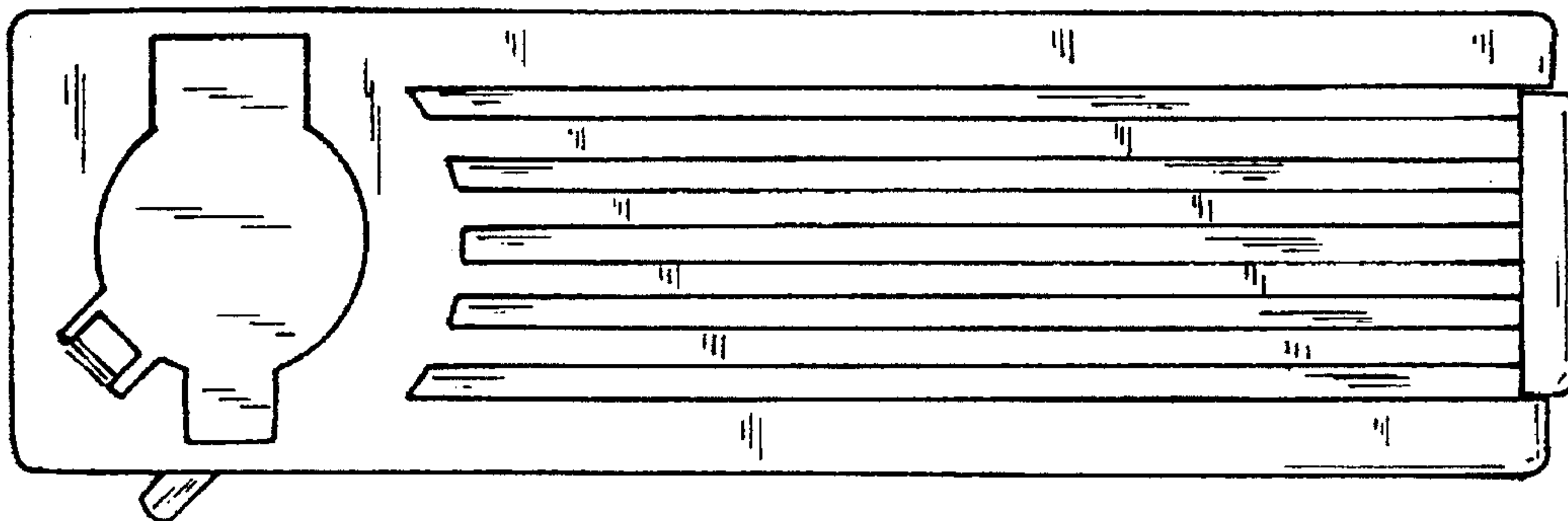


FIG. 6

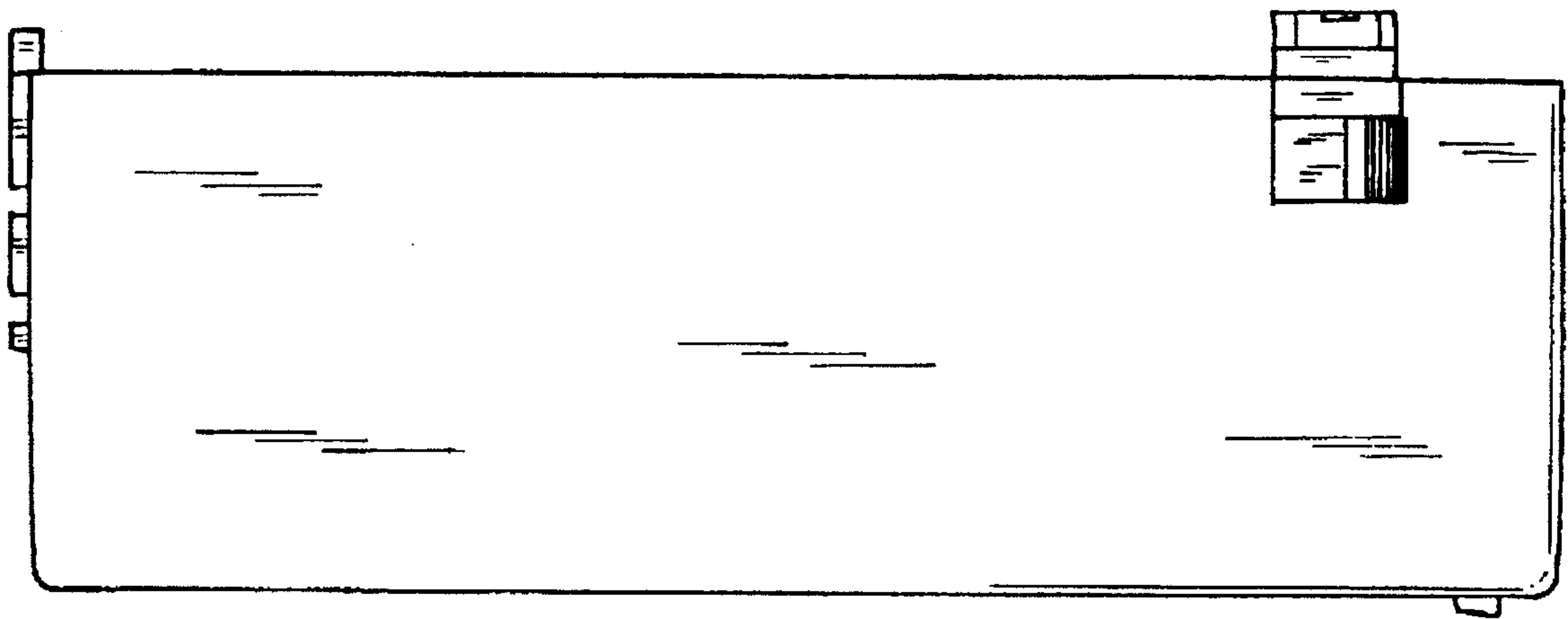


FIG. 7