



US00D383112S

United States Patent [19]
Patterson

[11] **Patent Number:** **Des. 383,112**
[45] **Date of Patent:** ****Sep. 2, 1997**

[54] **EASY ACCESS FRONT OF TRUNK ORGANIZER**

[75] **Inventor:** **Kimberly Ann Patterson**, Malibu, Calif.
[73] **Assignee:** **Auto-Shade, L.L.C.**, Moorpark, Calif.
[**] **Term:** **14 Years**
[21] **Appl. No.:** **55,666**
[22] **Filed:** **Jun. 10, 1996**

[51] **LOC (6) Cl.** **12-16**
[52] **U.S. Cl.** **D12/422; D12/415**
[58] **Field of Search** **D12/406, 412-426;**
D3/303, 201, 215, 228, 224-226, 230, 247;
224/402-404, 275, 311, 542, 543, 925,
904, 227

[56] **References Cited**

U.S. PATENT DOCUMENTS

D. 128,260	7/1941	Hennings	D3/247
D. 213,364	2/1969	Roeberts	D12/416
D. 293,162	12/1987	Carmichael	D12/416
D. 306,520	3/1990	McCarthy	D3/303
D. 348,778	7/1994	Dancyger	D3/224
671,771	4/1901	Macker	224/543
1,656,339	1/1928	Runyan	224/275

FOREIGN PATENT DOCUMENTS

1467493	6/1977	United Kingdom	224/275
---------	--------	----------------	-------	---------

OTHER PUBLICATIONS

CYW Electronics Equipment and Supplies, p. 140, "General Purpost Tool Pouches" No. 5168, 5127, 5126, 5148 Jun. 1986.
The Washington Post, p. D5, "The Happy Traveller Auto Organizer" May 1989.

Primary Examiner—Louis S. Zarfes
Assistant Examiner—Gregory Andoll
Attorney, Agent, or Firm—Blakely Sokoloff Taylor & Zafman

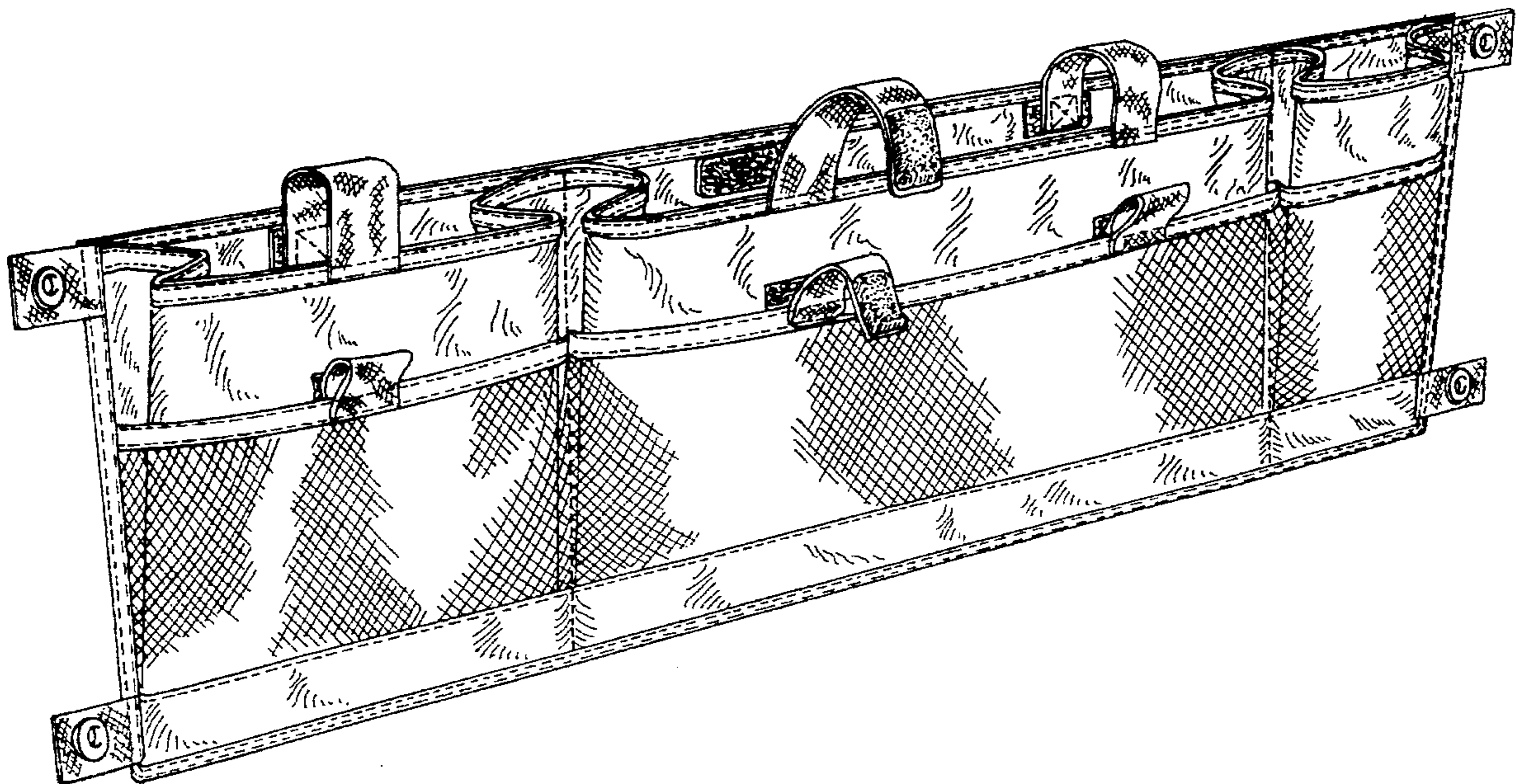
[57] **CLAIM**

The ornamental design for an easy access front of trunk organizer, as shown and described.

DESCRIPTION

FIG. 1 is a perspective view of the easy access front of trunk organizer showing my new design;
FIG. 2 is a front view of the trunk organizer of my invention;
FIG. 3 is a top view of the trunk organizer of my invention;
FIG. 4 is a left side view of the trunk organizer of my invention;
FIG. 5 is a back view of the trunk organizer of my invention;
FIG. 6 is a bottom view of the trunk organizer of my invention; and,
FIG. 7 is a right side view of the trunk organizer of my invention.
The broken lines in FIG. 1, 2 and 5 indicate conventional stitching.

1 Claim, 3 Drawing Sheets



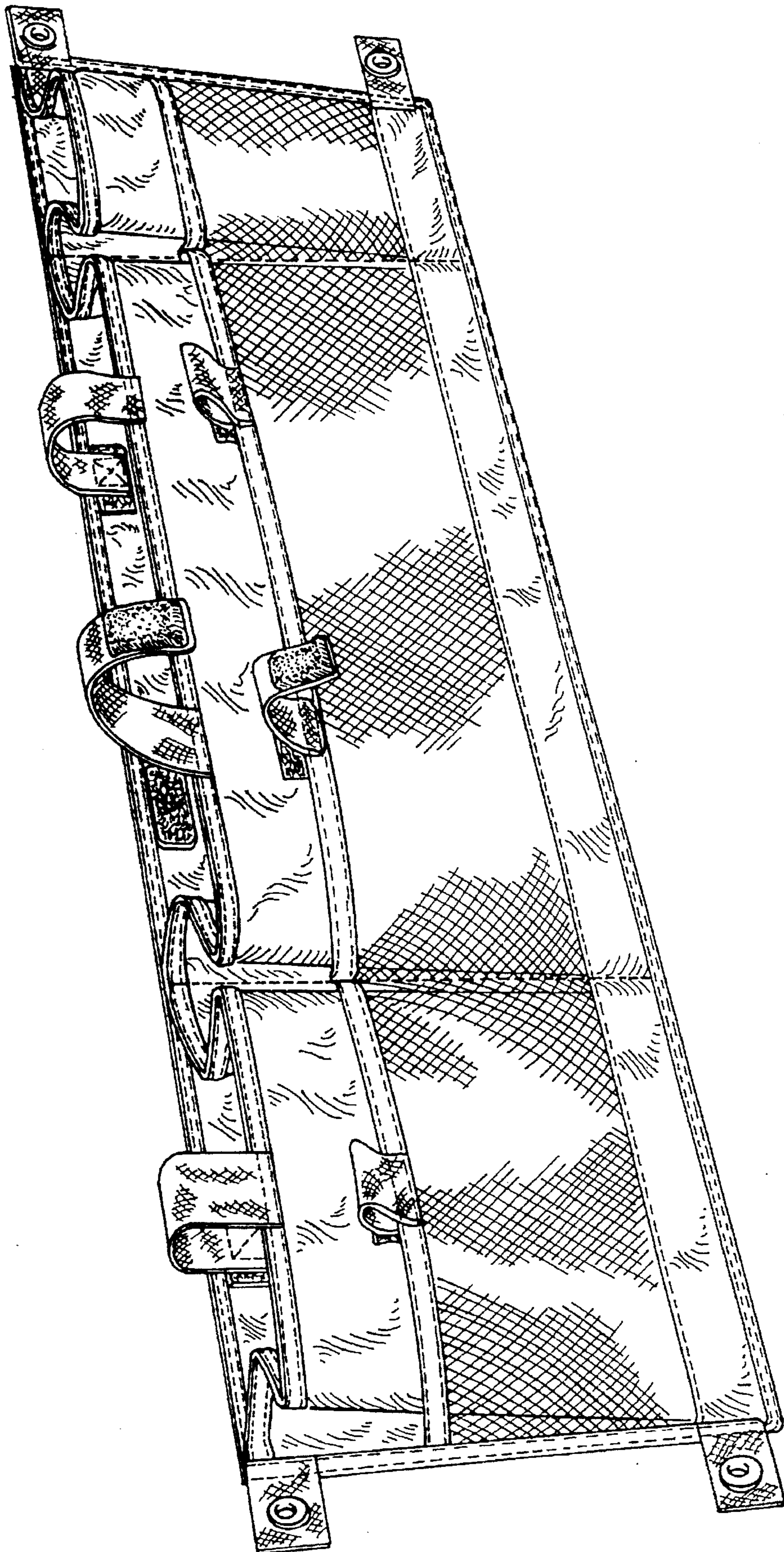


FIG. 1



FIG. 3

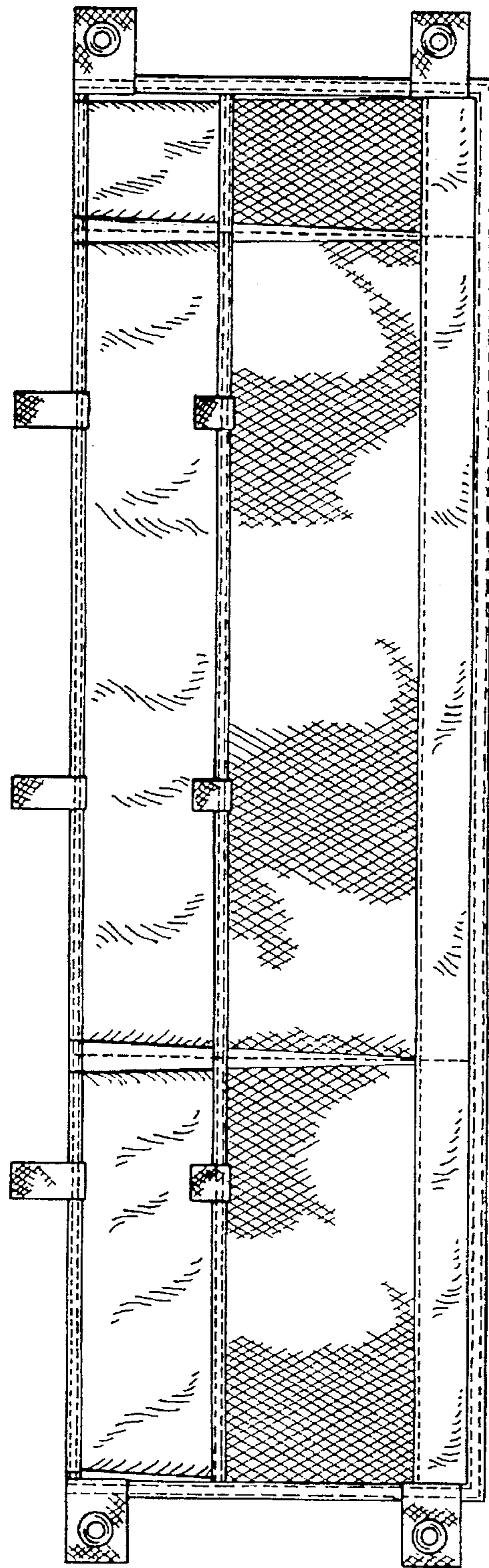


FIG. 2



FIG. 4

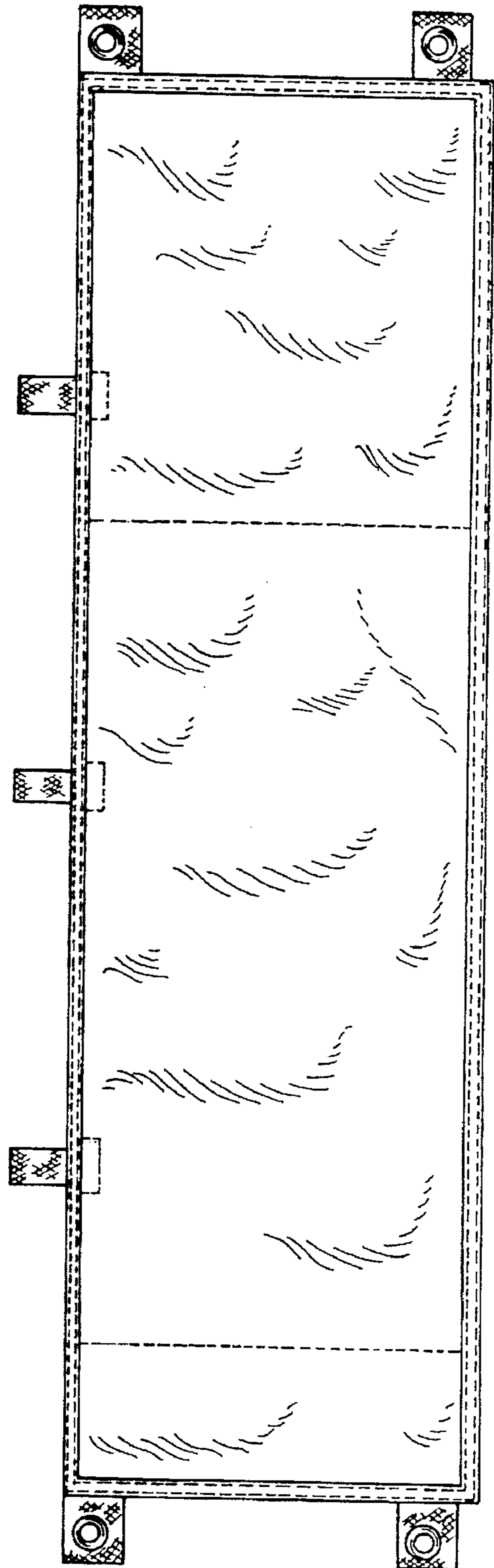


FIG. 5



FIG. 7



FIG. 6