



US00D383106S

United States Patent [19]

[11] Patent Number: **Des. 383,106**

Rice

[45] Date of Patent: ****Sep. 2, 1997**

[54] **MOTORCYCLE FRONT FENDER**

5,299,832 4/1994 Price, Sr. 280/152.1

[76] Inventor: **Robert Elliott Rice**, 8148 Freda St.,
Detroit, Mich. 48204

OTHER PUBLICATIONS

Harley Davidson Genuine Parts & Accessories, 1995, p. 49,
the Harley Davidson Softail Motorcycle Fender.

[**] Term: **14 Years**

Primary Examiner—Melody N. Brown
Attorney, Agent, or Firm—John R. Benefiel

[21] Appl. No.: **45,520**

[22] Filed: **Oct. 23, 1995**

[57] CLAIM

[51] **LOC (6) Cl.** **12-16**

The ornamental design for a motorcycle front fender, as
shown and described.

[52] **U.S. Cl.** **D12/186**

[58] **Field of Search** D12/186, 114;
280/152.1-152.3, 158.1, 160.1, 279; 224/39,
30 A, 30 R; 180/219

DESCRIPTION

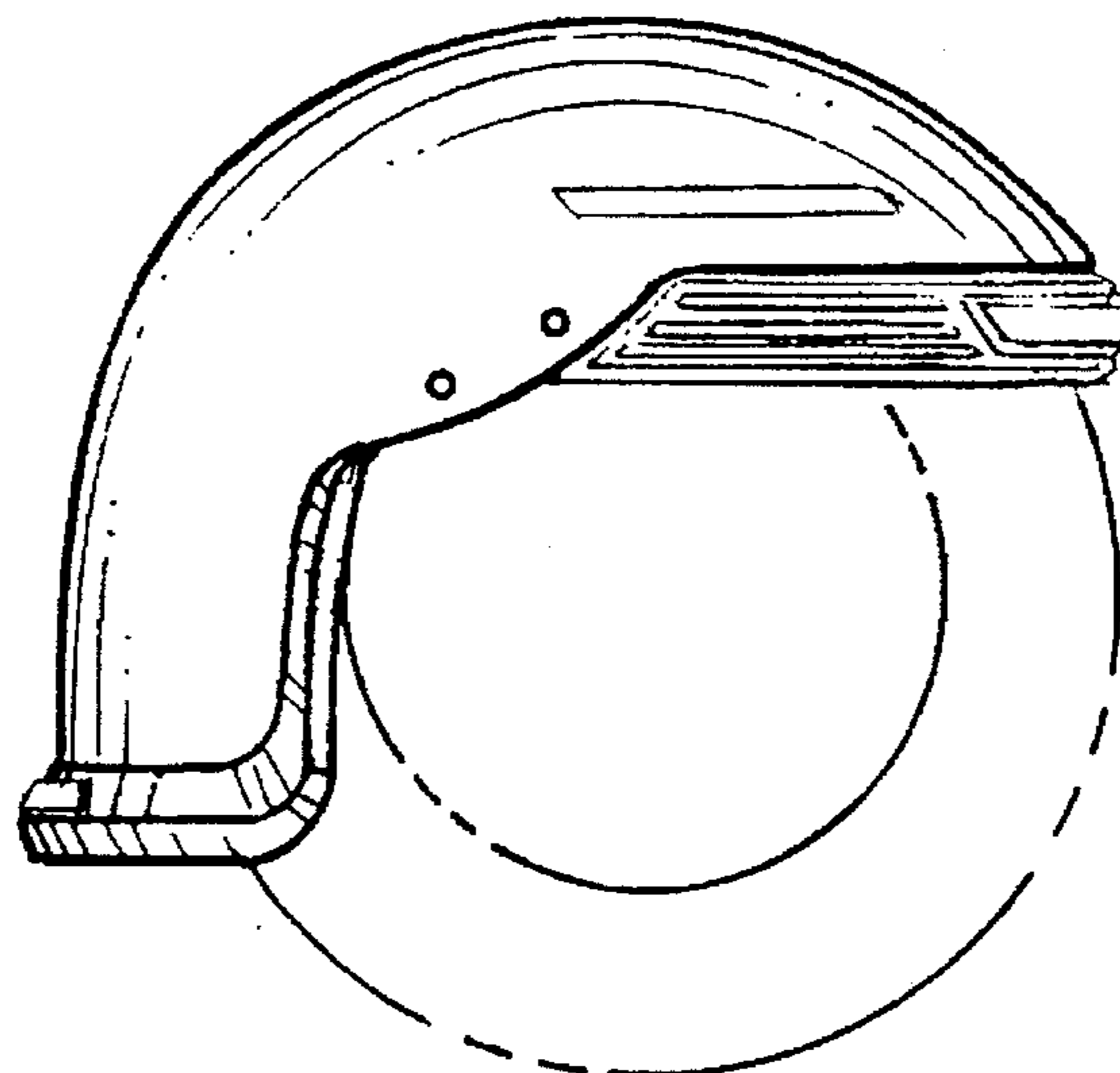
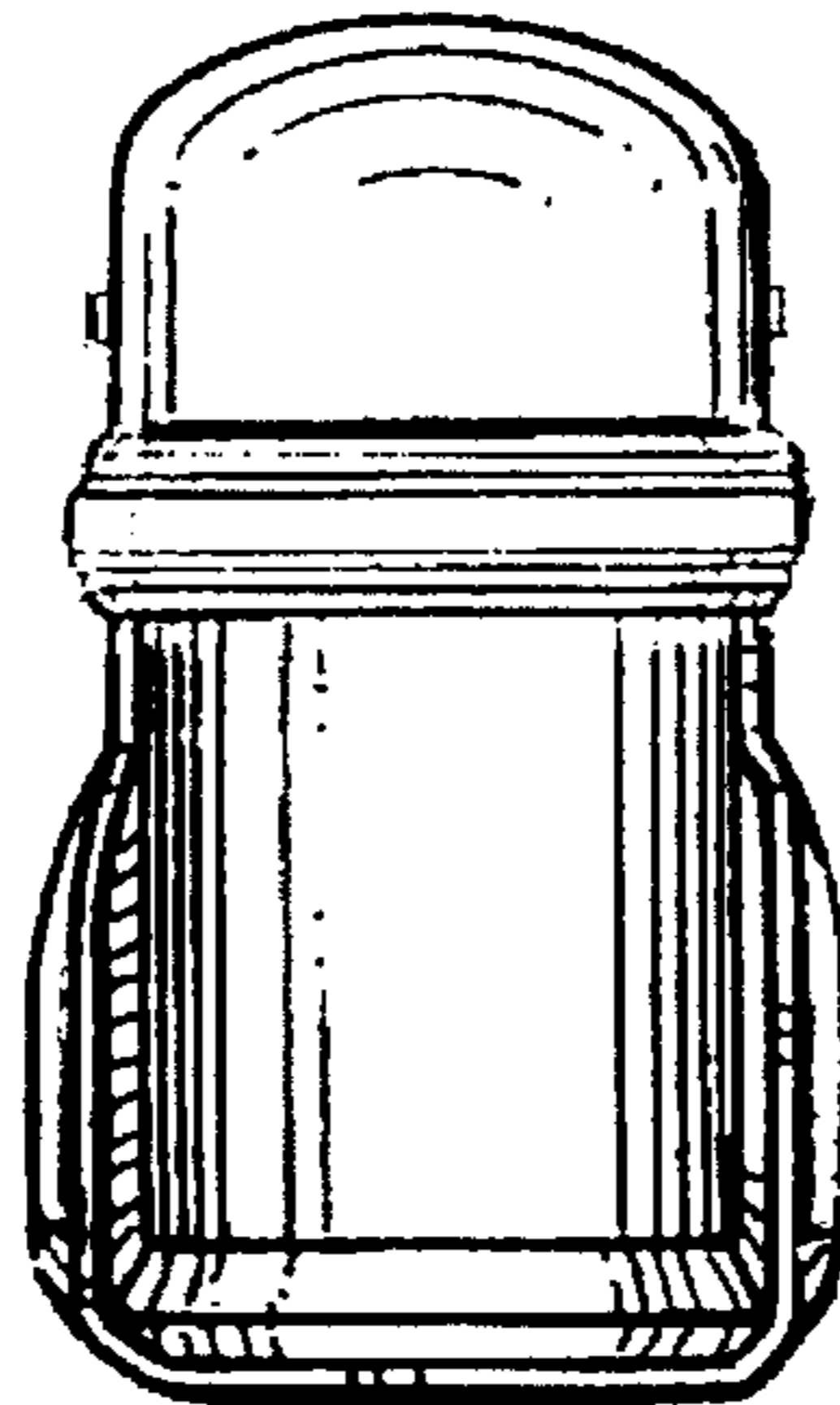
[56] References Cited

U.S. PATENT DOCUMENTS

D. 279,974	8/1985	Komori et al.	D12/186
D. 298,229	10/1988	Yamada et al.	D12/186
2,510,222	6/1950	Harley	280/279
4,458,909	7/1984	Morioka	280/279
4,596,301	6/1986	Nagashima	280/152.1
4,822,067	4/1989	Matsuo et al.	280/152.1
5,186,274	2/1993	Hegman	280/152.1

FIG. 1 is a front view of a motorcycle fender according to
my new design;
FIG. 2 is a left side elevational view thereof, the right side
being a mirror image of that shown;
FIG. 3 is a rear view thereof;
FIG. 4 is a top plan view thereof; and,
FIG. 5 is a bottom plan view thereof.
The broken lines shown in FIG. 2 drawing view are for
illustrative purposes only and form no part of the claimed
design.

1 Claim, 1 Drawing Sheet



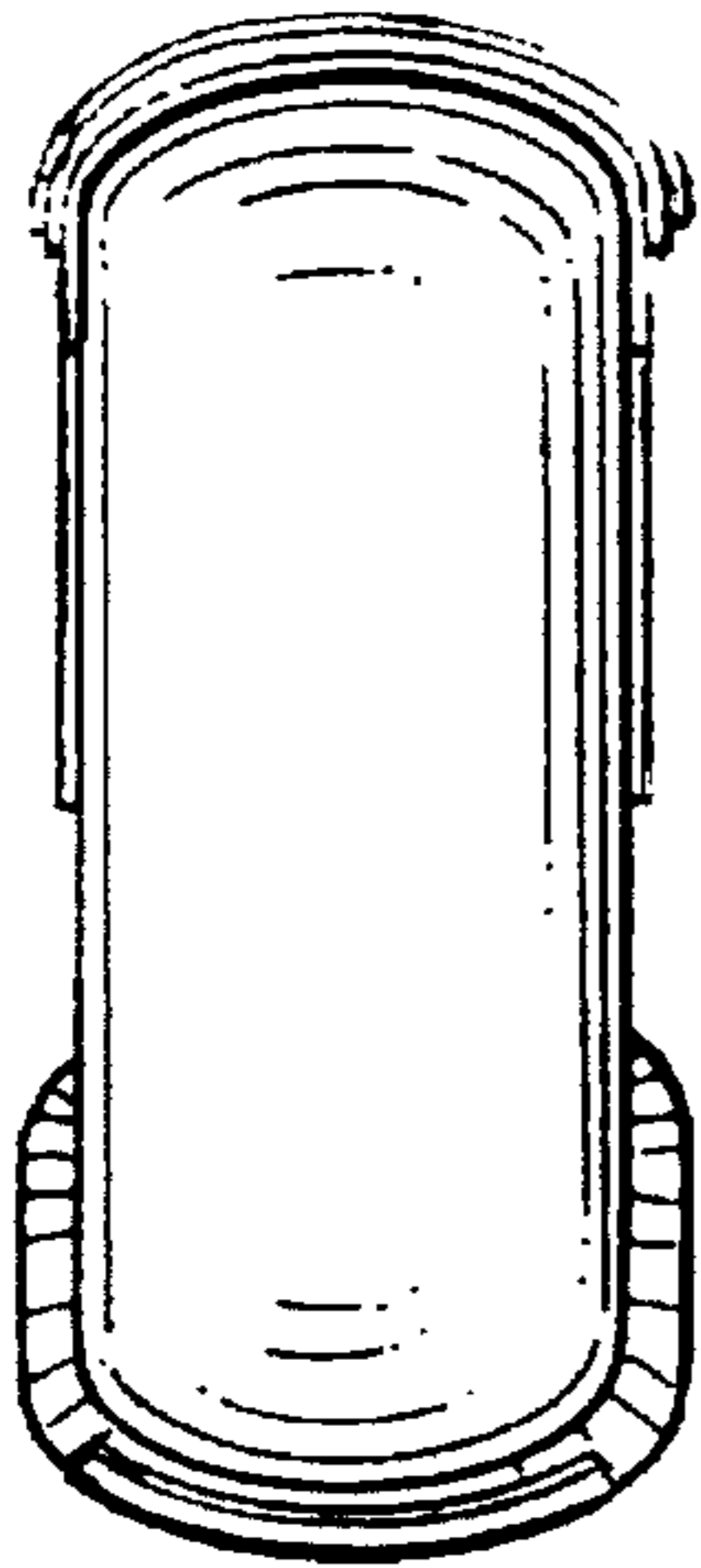


FIG-4

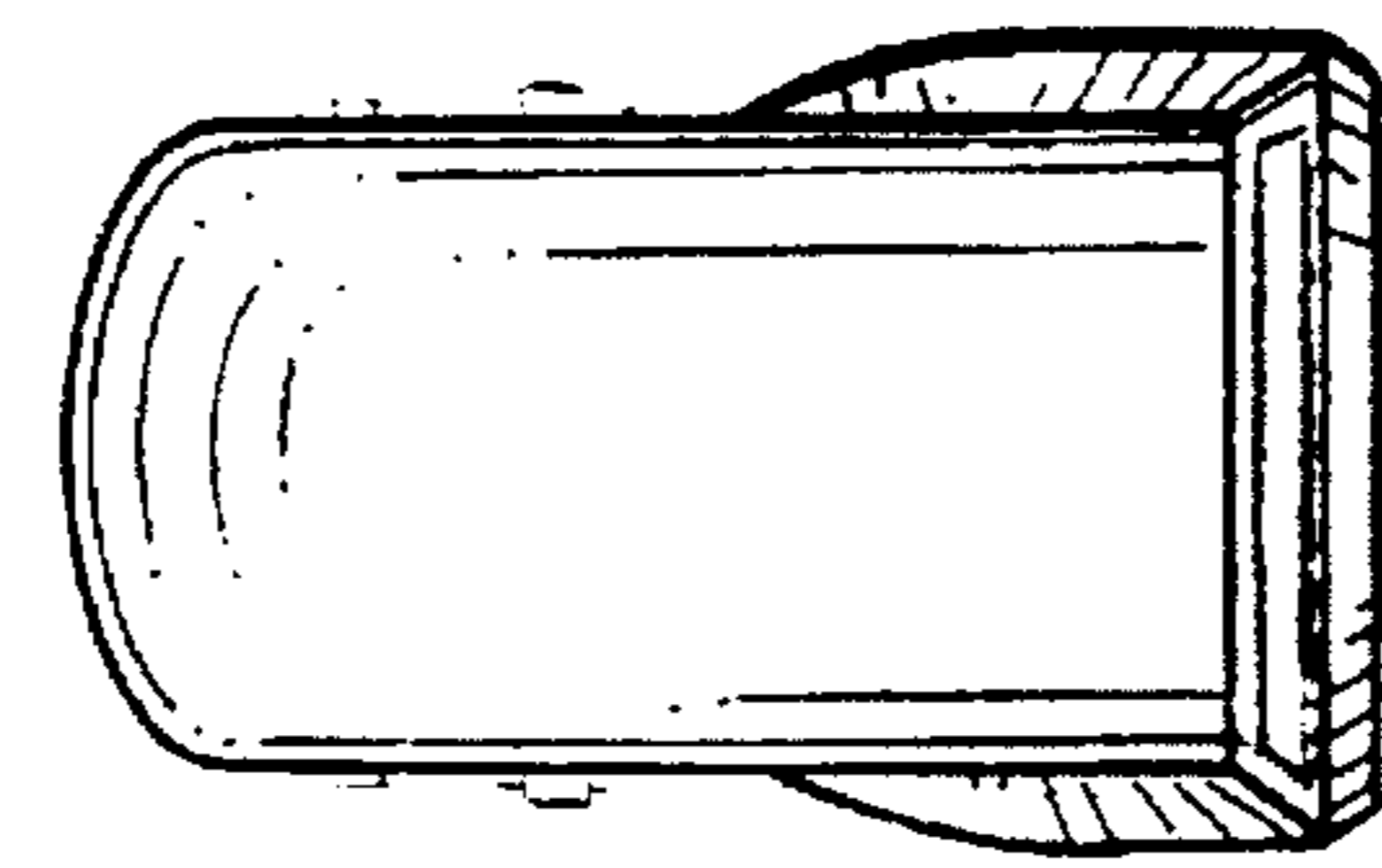


FIG-3

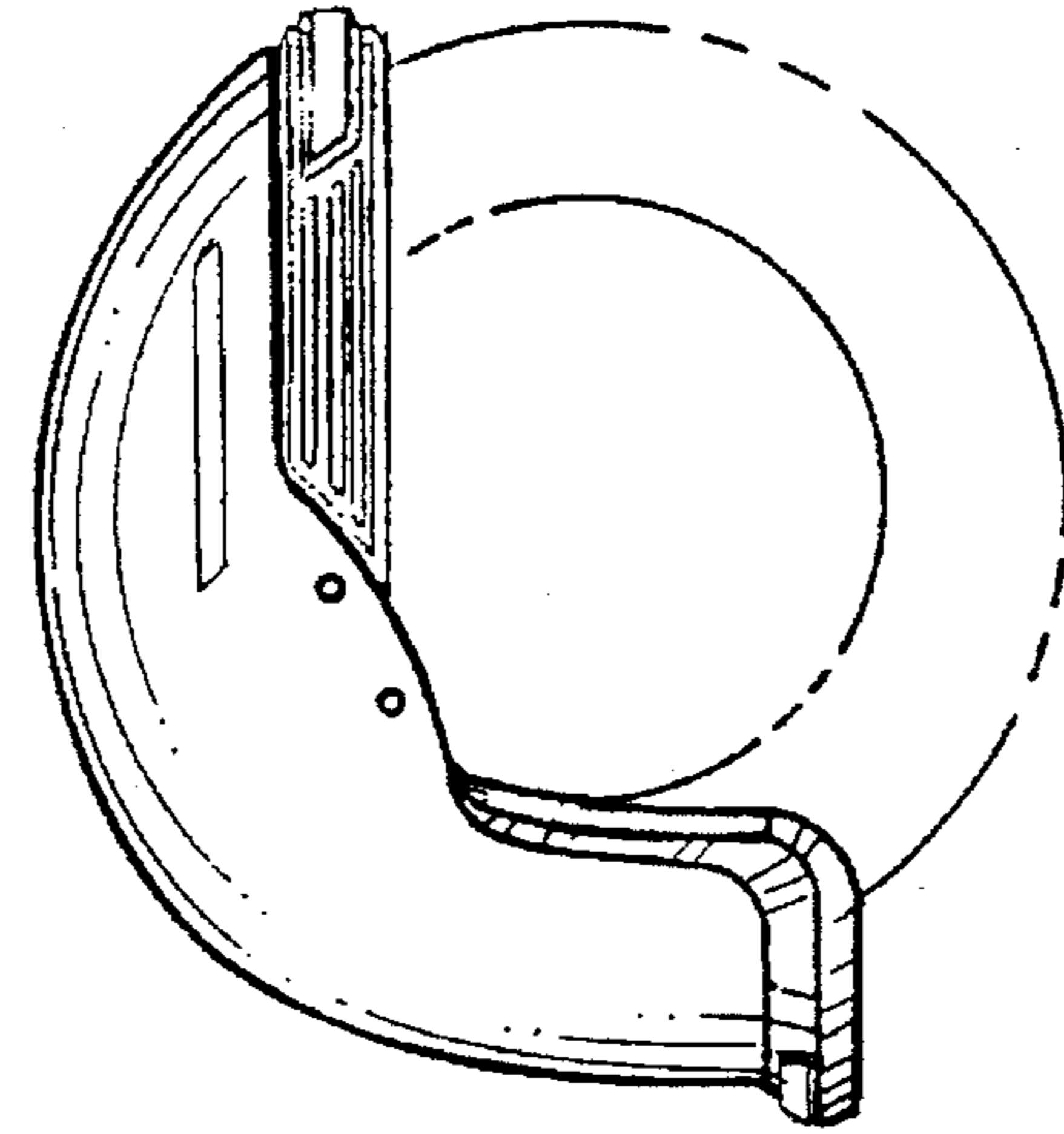


FIG-2

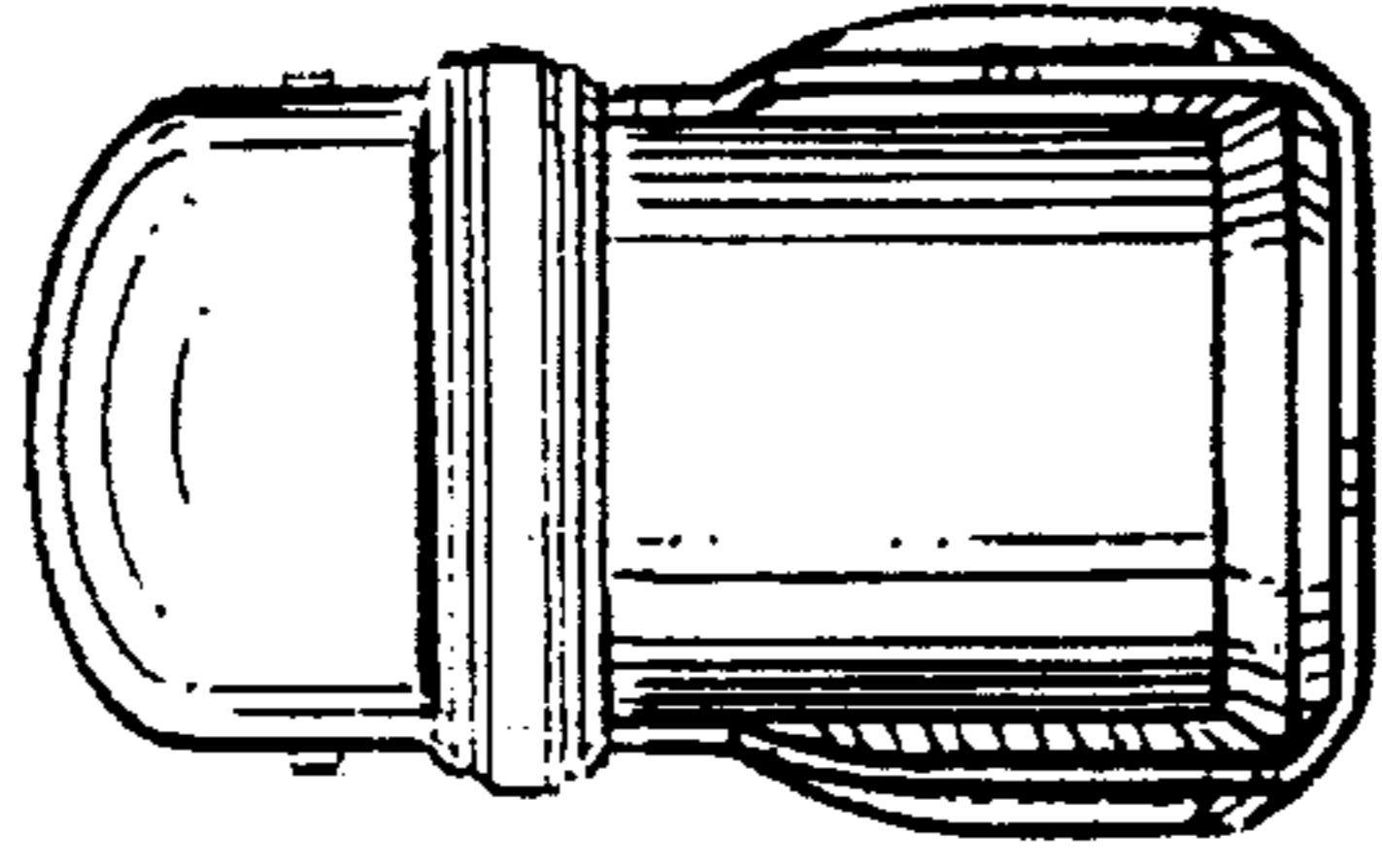


FIG-1

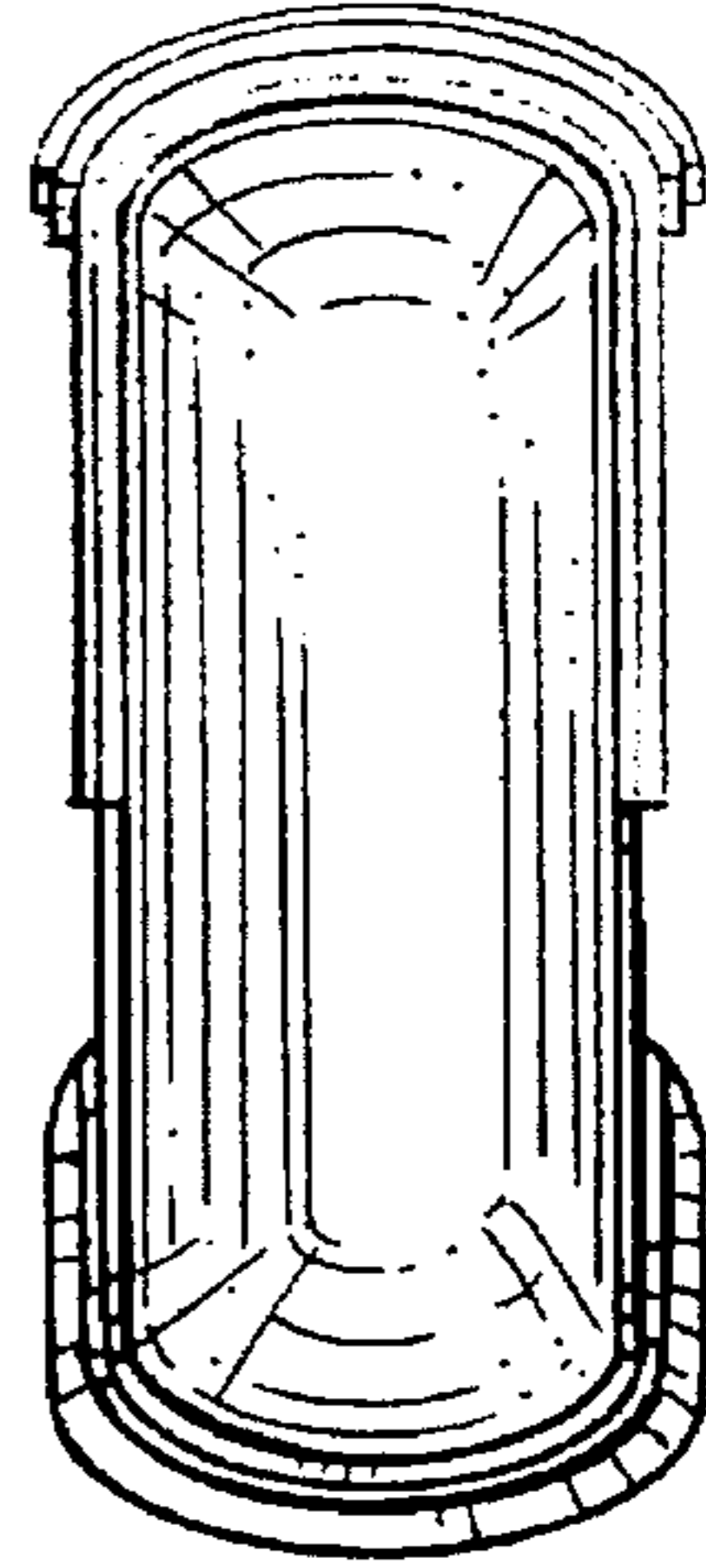


FIG-5