



US00D383098S

United States Patent [19]
Richman

[11] **Patent Number: Des. 383,098**
[45] **Date of Patent: **Sep. 2, 1997**

[54] **RECUMBENT BICYCLE**
[76] **Inventor: Russell D. Richman**, 22706 Archibald
Blair, Katy, Tex. 77449
[**] **Term: 14 Years**
[21] **Appl. No.: 25,549**
[22] **Filed: Jul. 5, 1994**
[51] **LOC (6) Cl. 12-11**
[52] **U.S. Cl. D12/111**
[58] **Field of Search D12/111; 280/281.1,**
280/288.1, 288.2, 288.3, 267, 261

D. 283,606 4/1986 Moulton D12/111
D. 293,660 1/1988 Foehner D12/111

OTHER PUBLICATIONS

American Bicyclist & Motorcyclist, May 1993, p. 34, All
Three Recumbent Bicycles.

Primary Examiner—Melody N. Brown

[57] **CLAIM**

The ornamental design for a recumbent bicycle, as shown.

DESCRIPTION

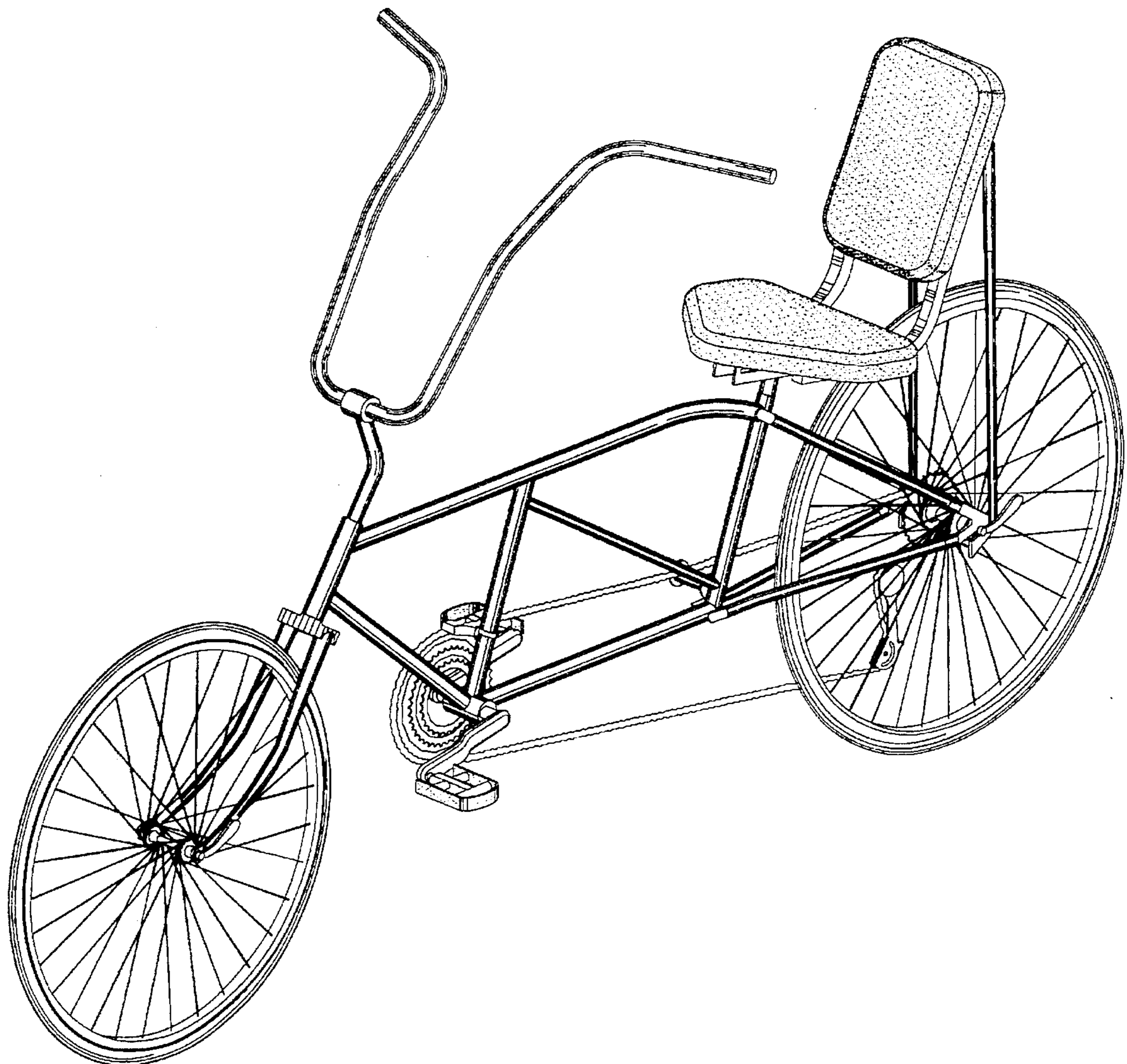
FIG. 1 is a right side and front perspective view of a
recumbent bicycle showing my new design;
FIG. 2 is a left side and rear perspective view thereof; and,
FIG. 3 is a rear elevation view thereof.

[56] **References Cited**

U.S. PATENT DOCUMENTS

D. 246,171 10/1977 Dodd D12/111
D. 248,634 7/1978 Souza et al. D12/111

1 Claim, 3 Drawing Sheets



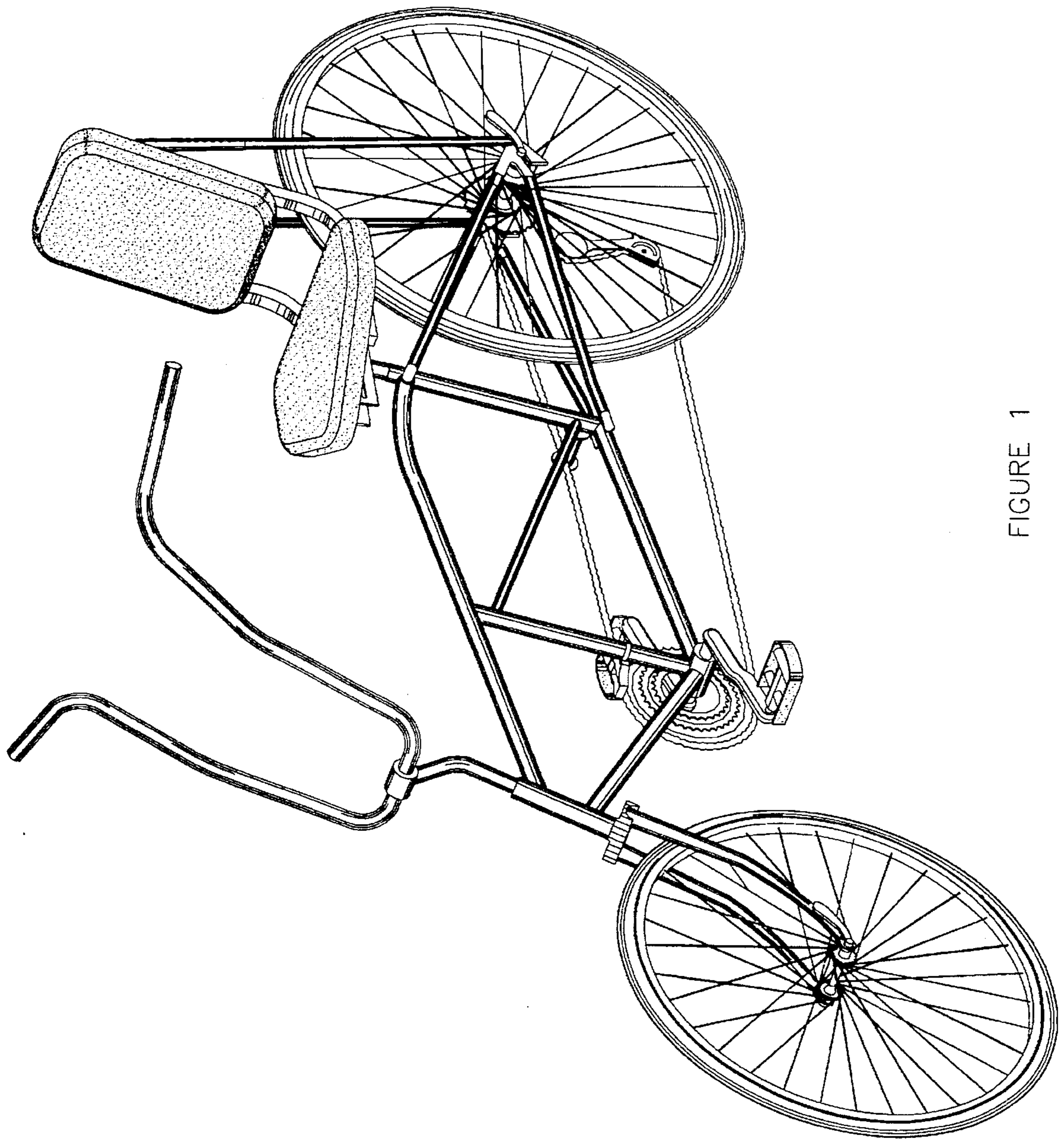


FIGURE 1

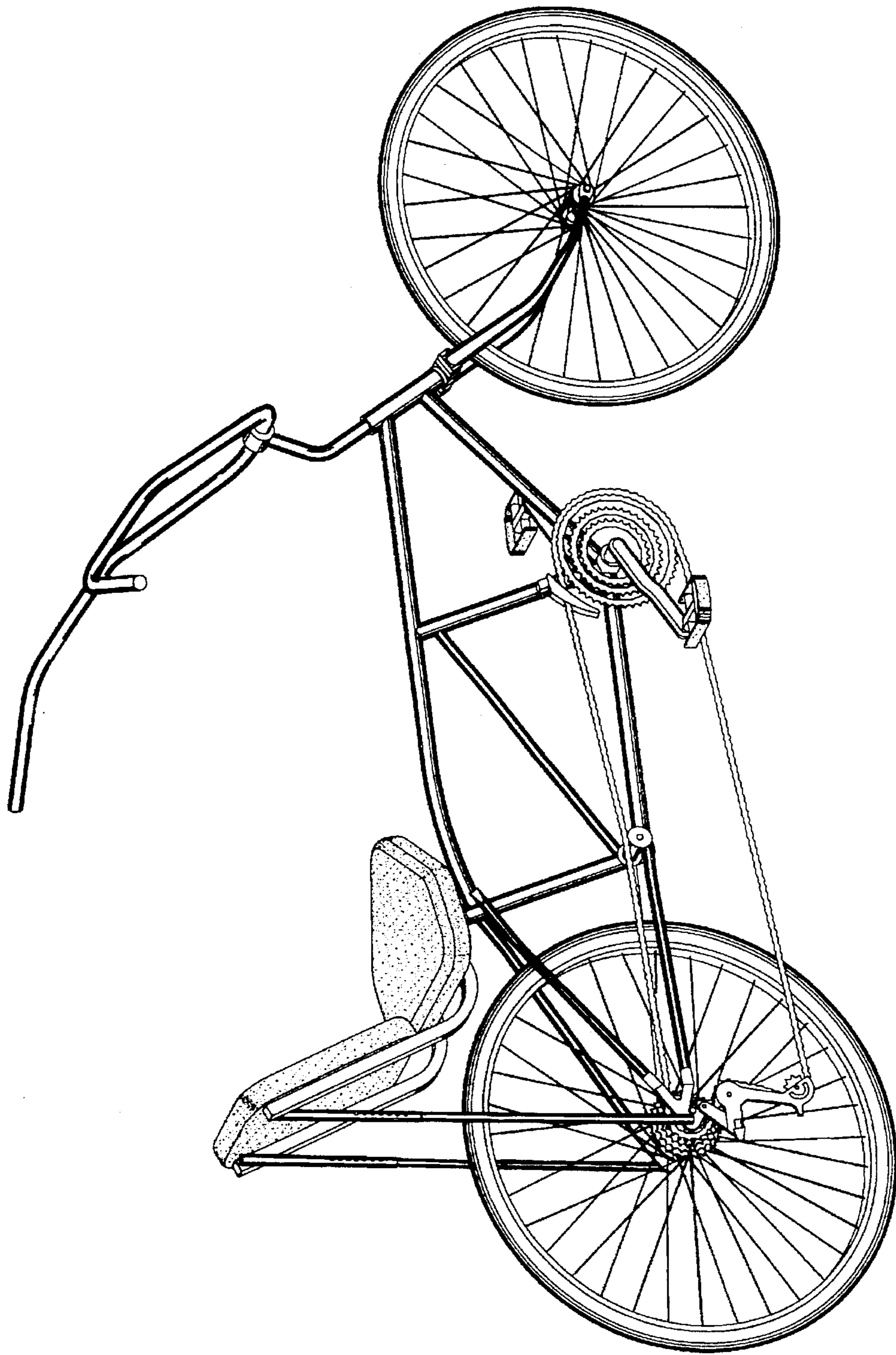


FIGURE 2

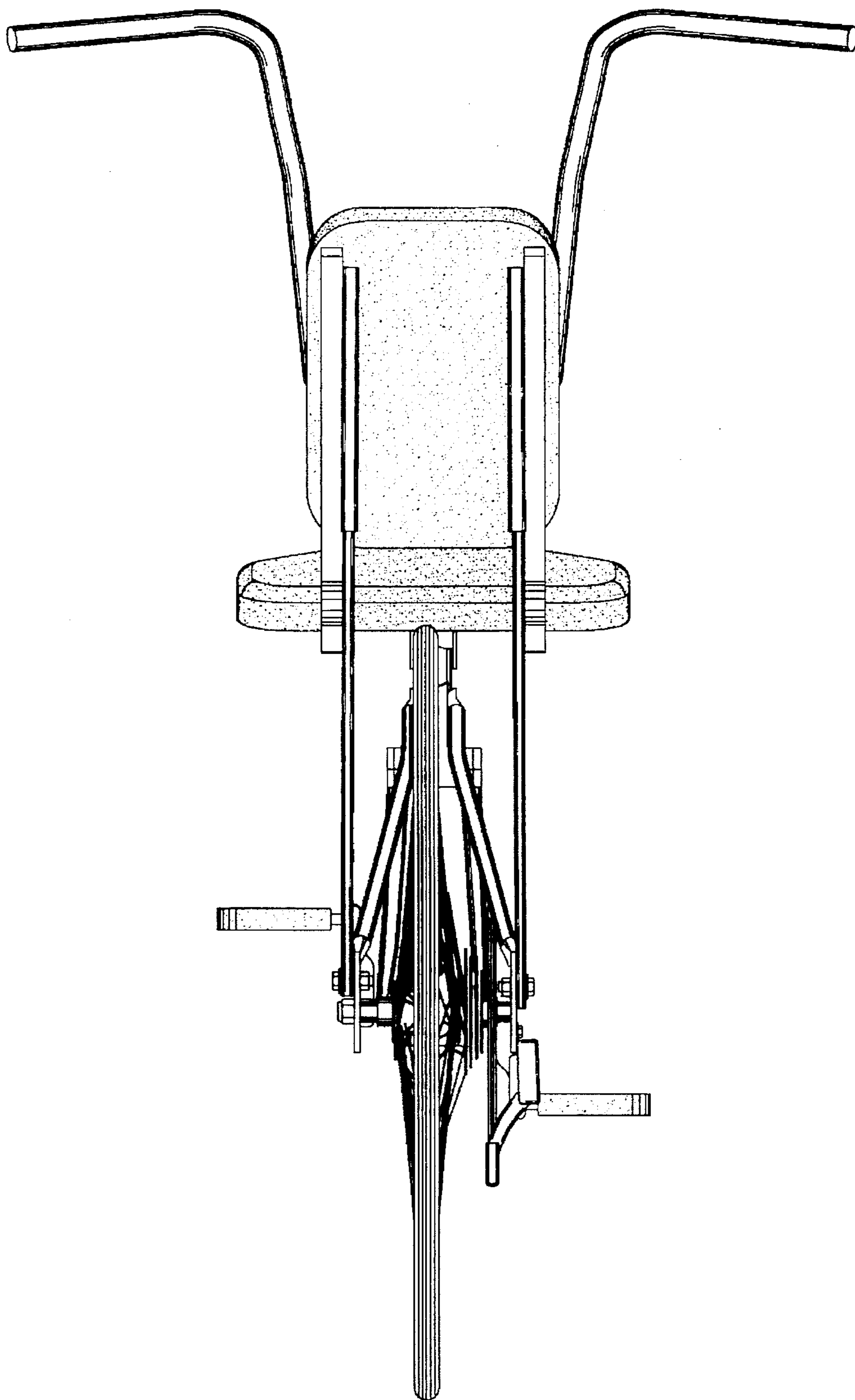


FIGURE 3