



US00D383096S

# United States Patent [19]

Abe et al.

[11] Patent Number: **Des. 383,096**

[45] Date of Patent: **\*\*Sep. 2, 1997**

## [54] MOTORCYCLE BODY

[75] Inventors: **Karl-Heinz Abe**, Woerthsee; **Klaus Volker Gevert**, Munich, both of Germany

[73] Assignee: **Bayerische Motoren Werke AG**, Munich, Germany

[\*\*] Term: **14 Years**

[21] Appl. No.: **22,454**

[22] Filed: **May 5, 1994**

### [30] Foreign Application Priority Data

Nov. 5, 1993 [DE] Germany ..... M 93 08 755.1

[51] LOC (6) Cl. .... 12-11

[52] U.S. Cl. .... D12/110

[58] Field of Search ..... D12/110; 180/219

### [56] References Cited

#### U.S. PATENT DOCUMENTS

D. 298,114	10/1988	Abe et al. ....	D12/110
D. 321,849	11/1991	Abe et al. ....	D12/110
D. 325,363	4/1992	Yamada et al. ....	D12/110
D. 341,798	11/1993	Murata et al. ....	D12/110
D. 350,918	9/1994	Kohuma et al. ....	D12/110

*Primary Examiner*—Melody N. Brown  
*Attorney, Agent, or Firm*—Evenson, McKeown, Edwards & Lenahan, P.L.L.C.

## [57] CLAIM

The ornamental design for a motorcycle body, as shown and described.

## DESCRIPTION

FIG. 1 is a left front perspective view of a motorcycle body according to our novel design;

FIG. 2 is a left side view of a motorcycle body according to our novel design;

FIG. 3 is a left rear perspective view of a motorcycle body according to our novel design;

FIG. 4 is a right front perspective view of a motorcycle body according to our novel design;

FIG. 5 is a right side view of a motorcycle body according to our novel design;

FIG. 6 is right rear perspective view of a motorcycle body according to our novel design;

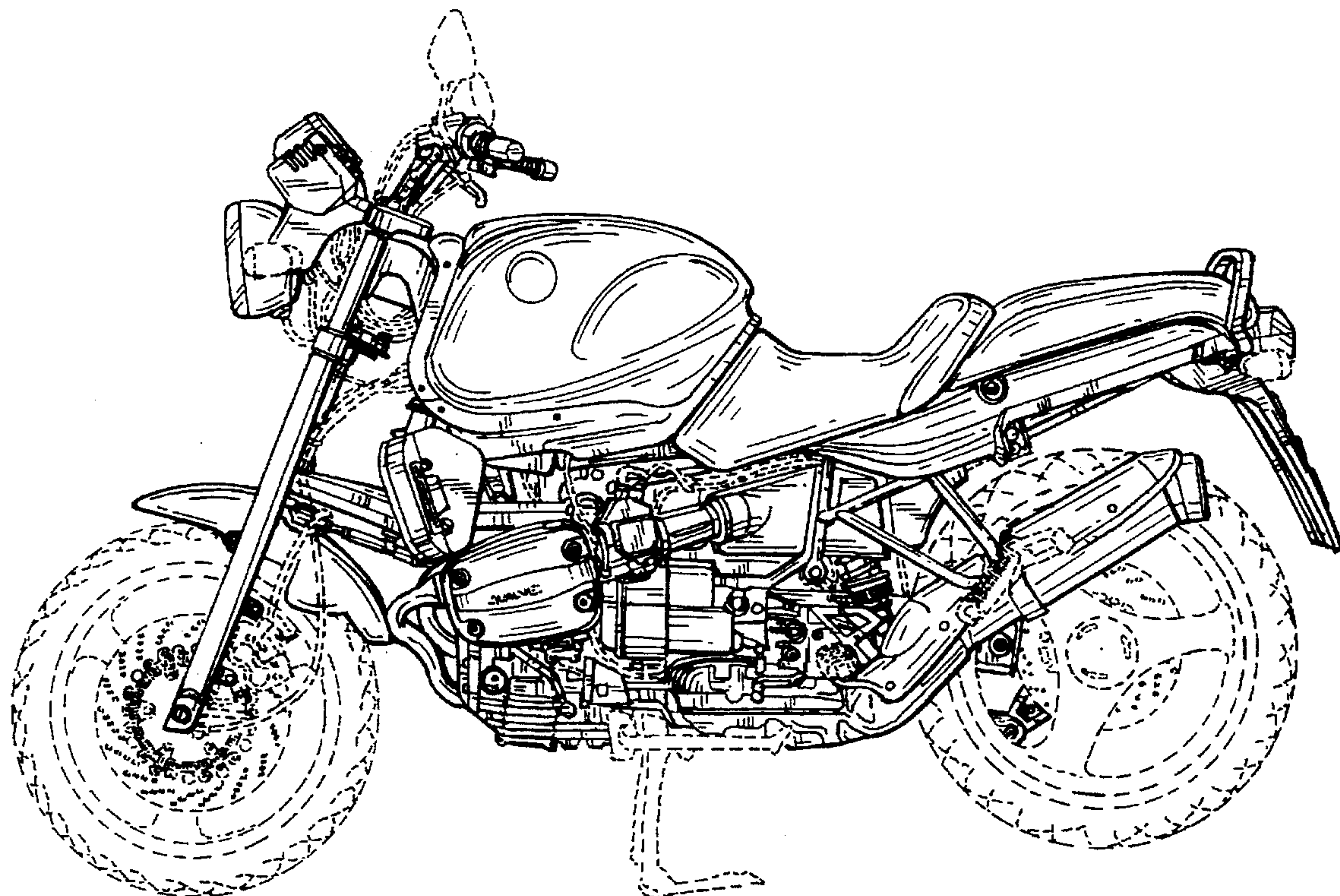
FIG. 7 is a front view of a motorcycle body according to our novel design;

FIG. 8 is a rear view of a motorcycle body according to our novel design; and,

FIG. 9 is a top view of a motorcycle body according to our novel design.

The broken lines are shown for illustrative purposes only and form no part of the claimed design.

**1 Claim, 8 Drawing Sheets**



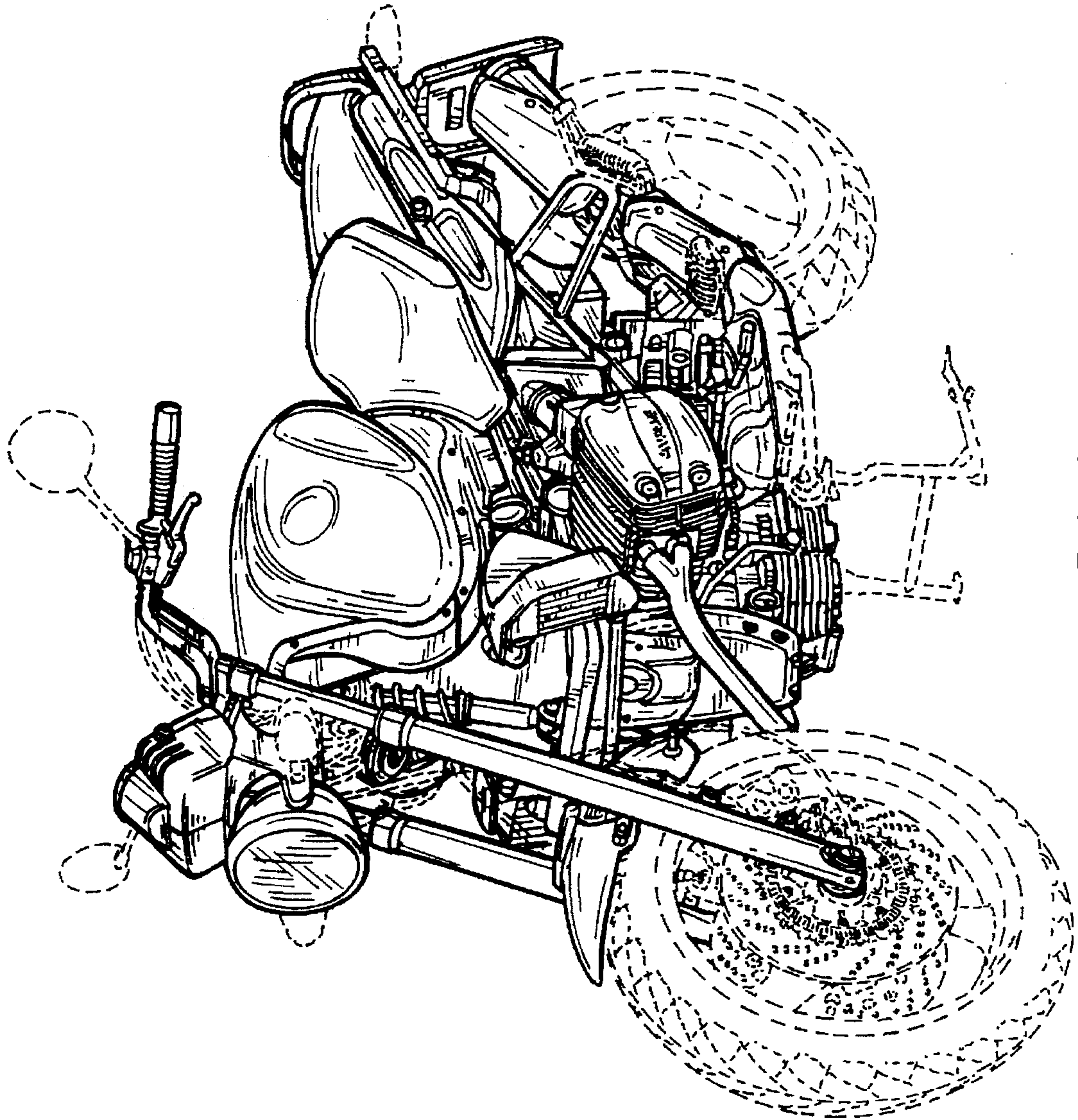


FIG. 1



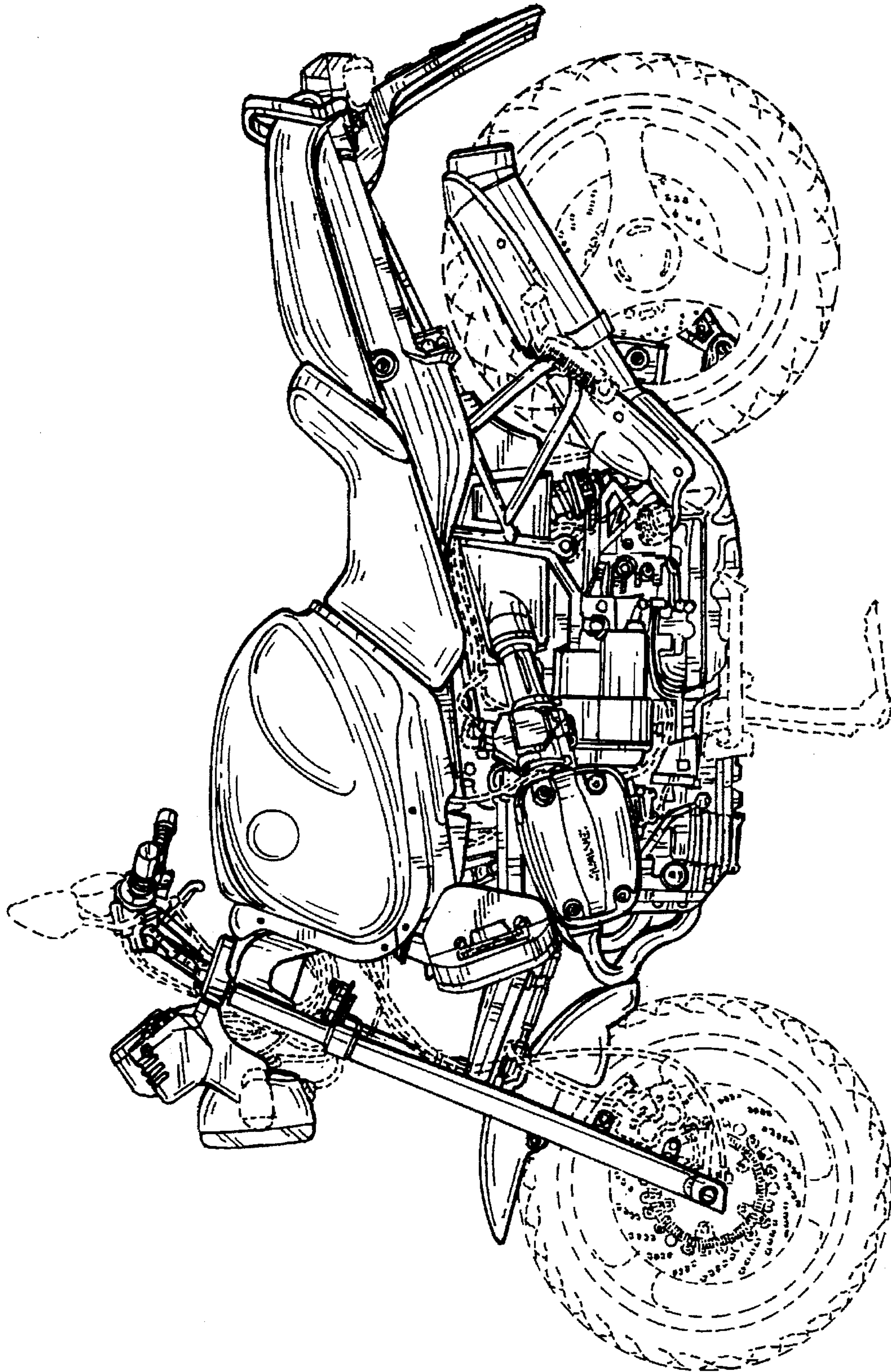


FIG. 2

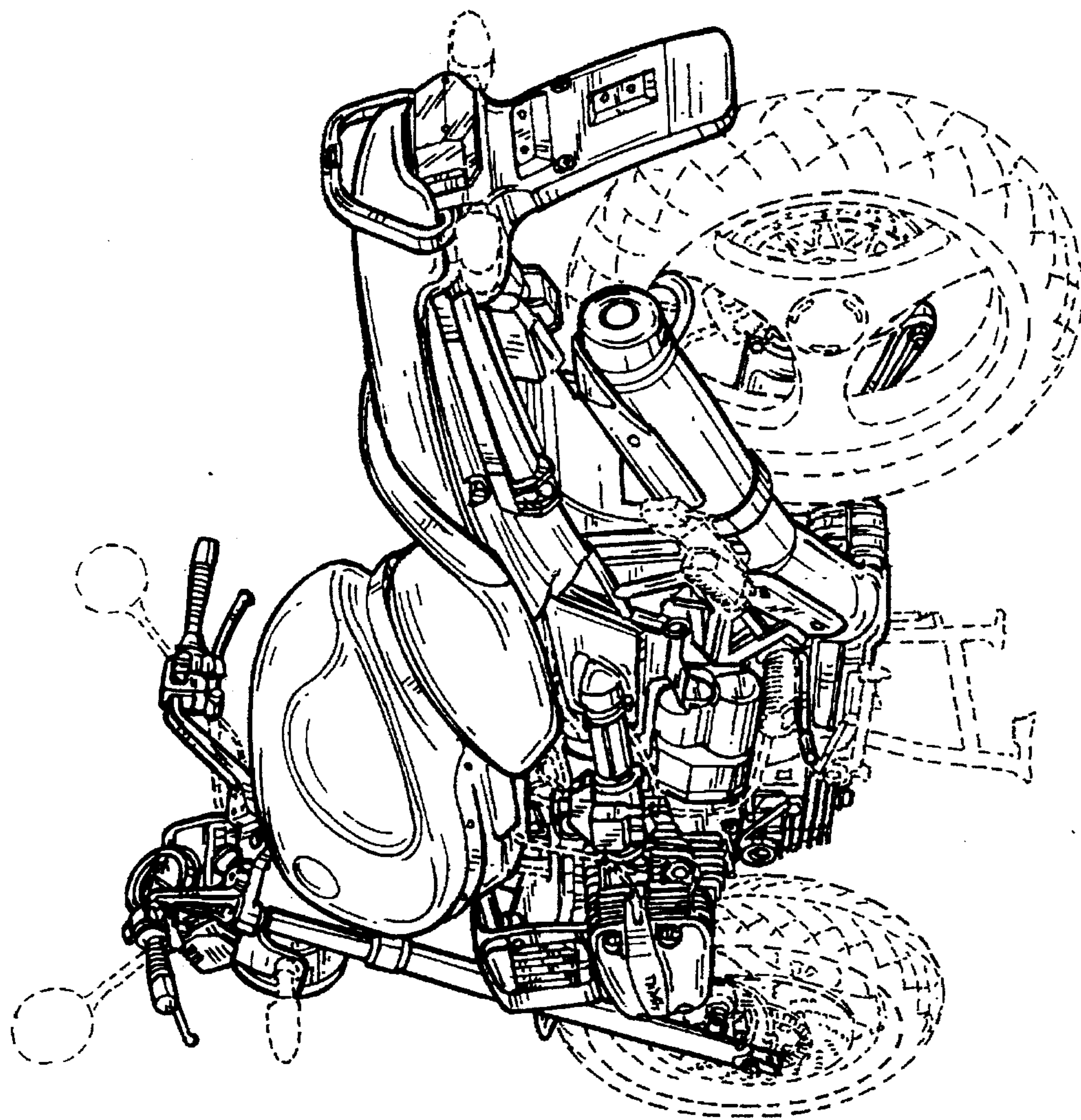


FIG. 3



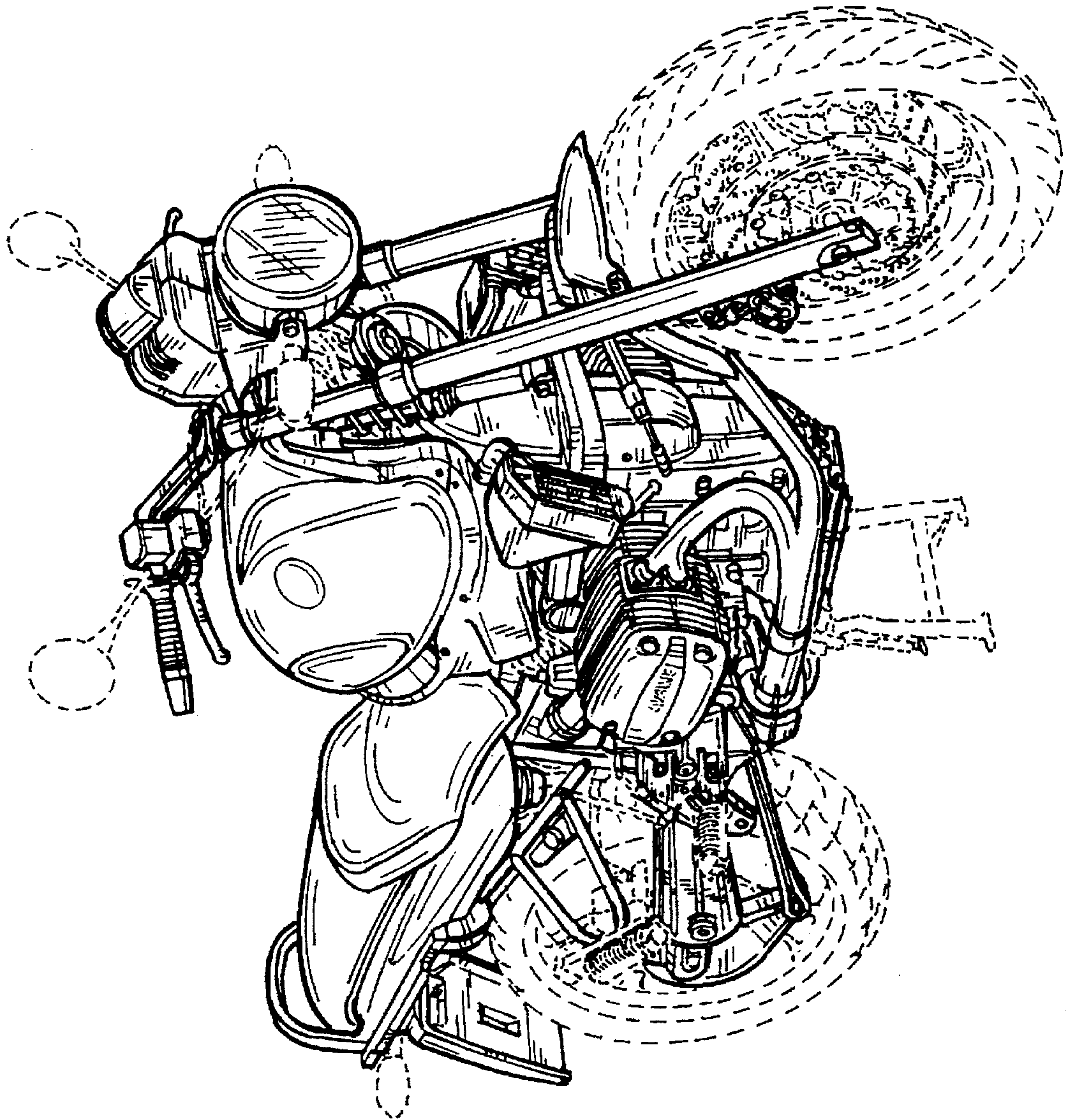


FIG. 4

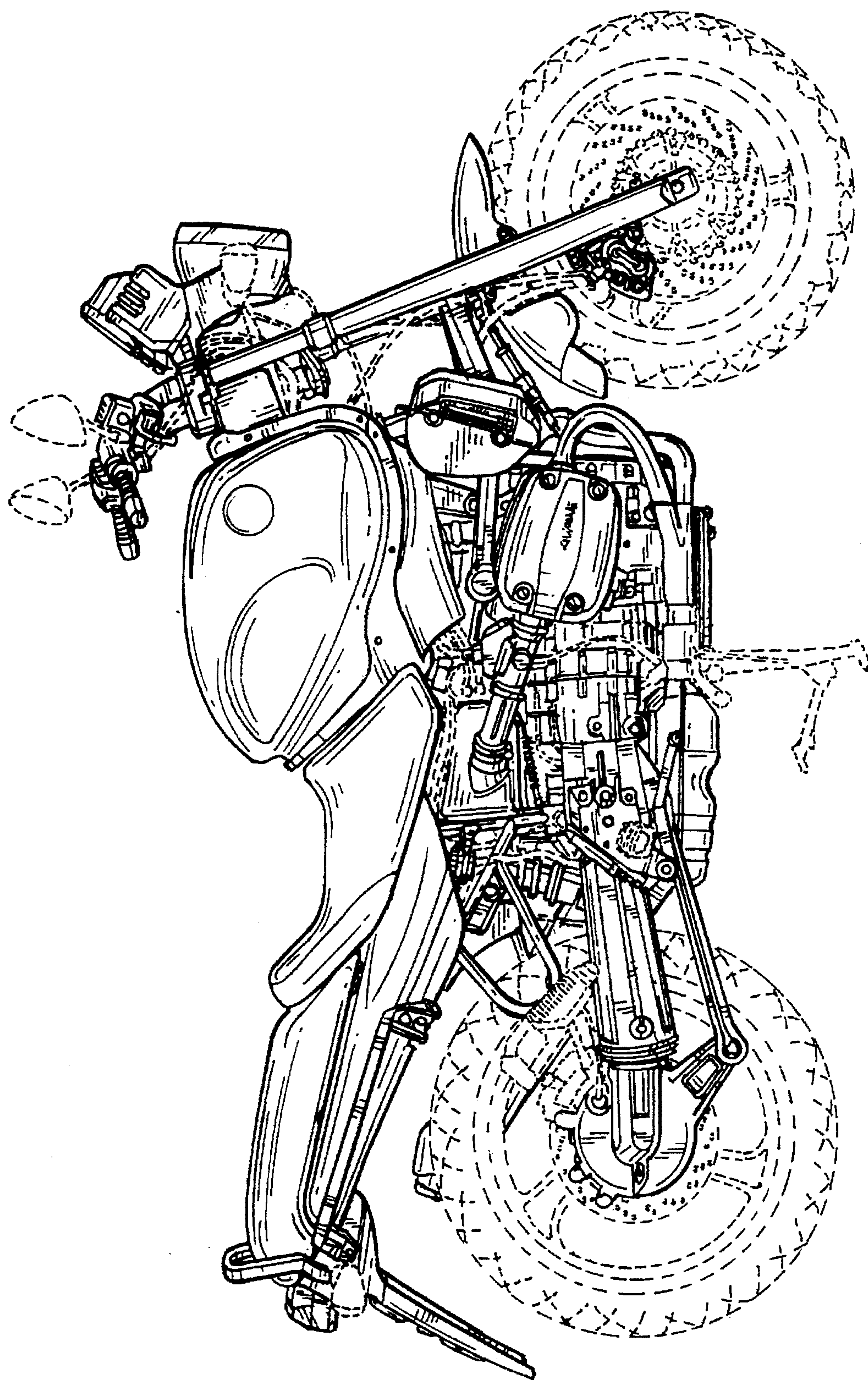


FIG. 5



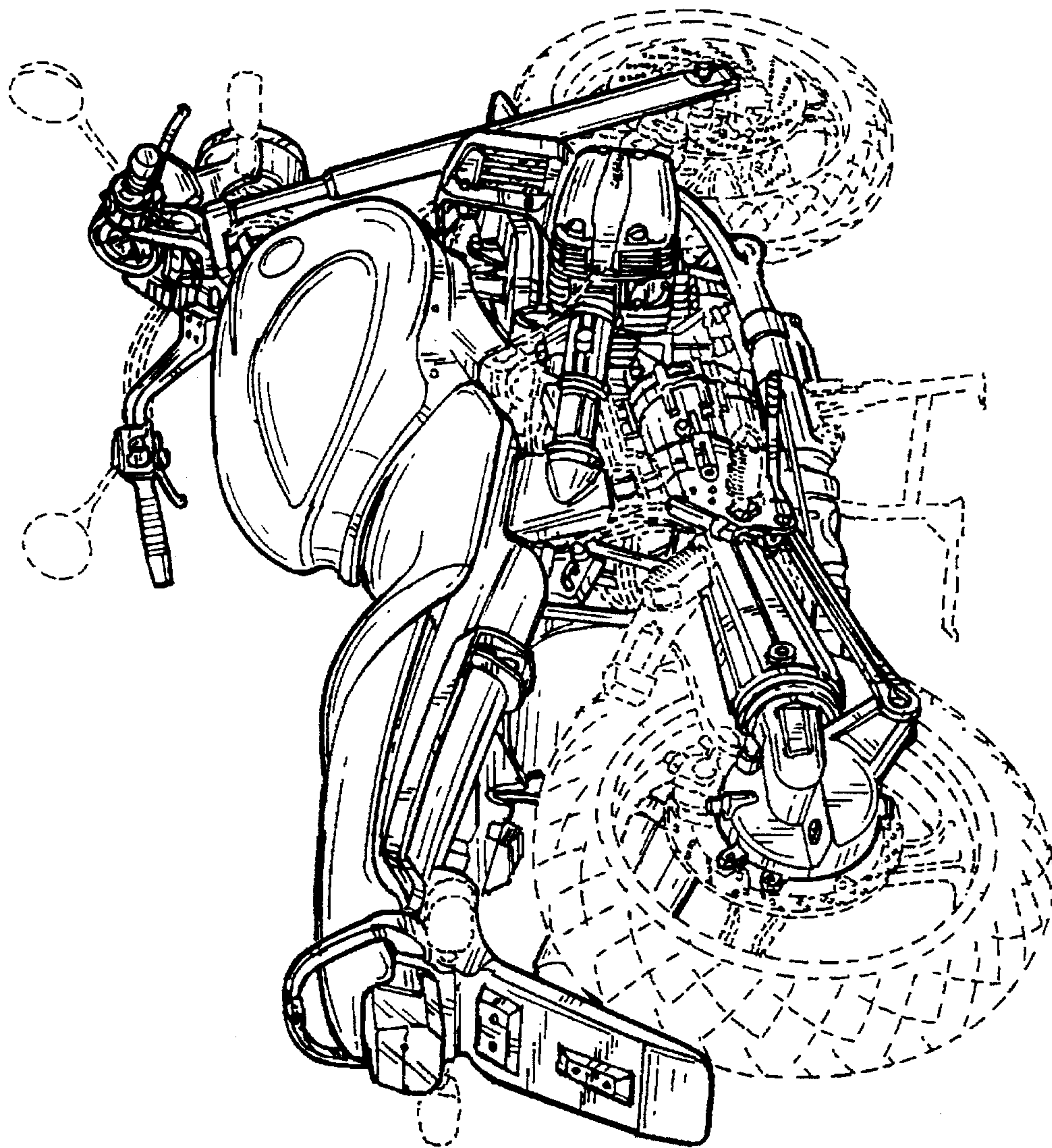


FIG. 6

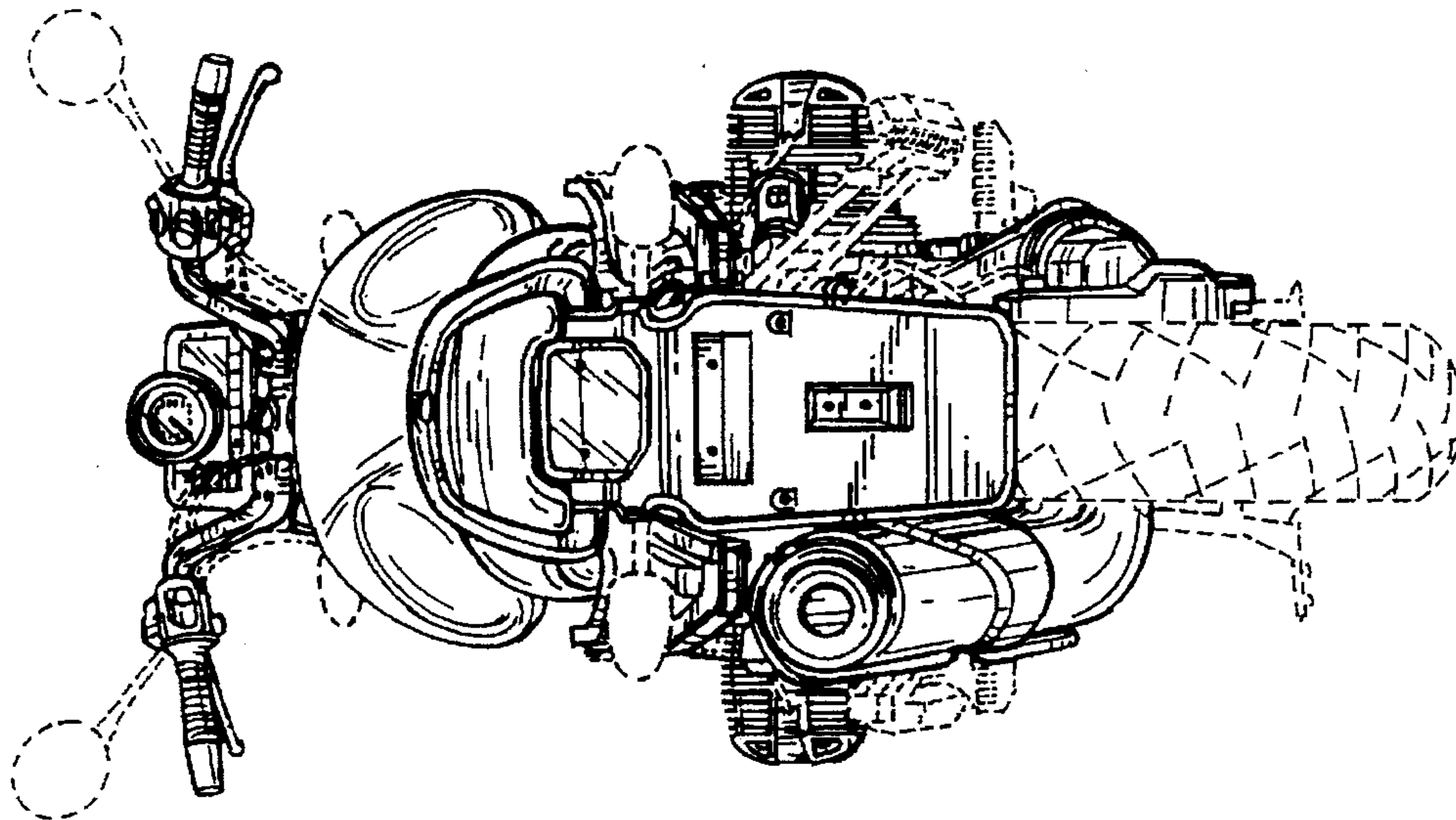


FIG. 7

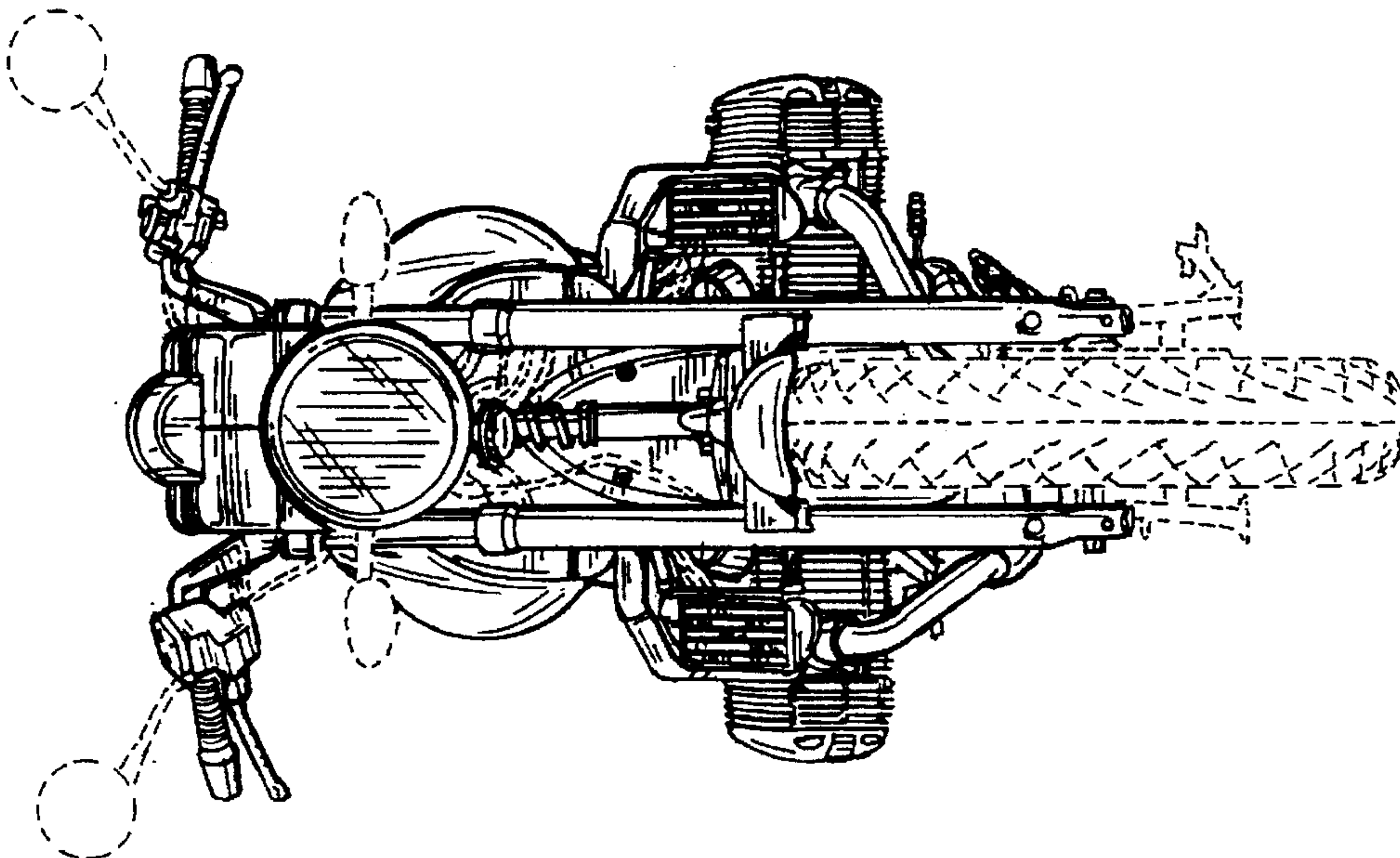


FIG. 8



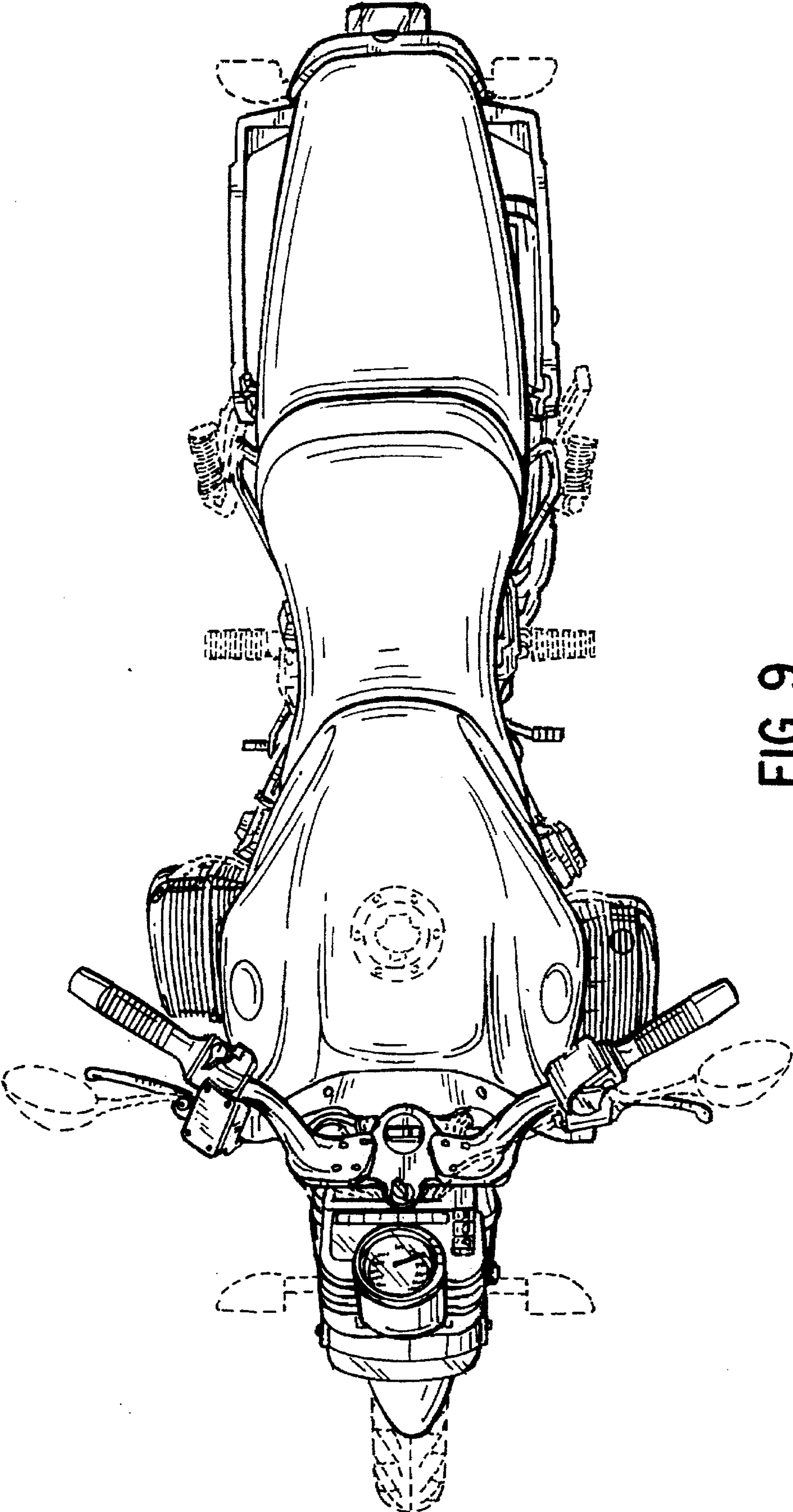


FIG. 9