

US00D383094S

United States Patent [19]

[11] Patent Number: **Des. 383,094**

Mast

[45] Date of Patent: ****Sep. 2, 1997**

[54] **BICYCLE CART**

D. 351,575	10/1994	Fenton et al.	D12/102
D. 389,328	4/1996	Acosta	D12/101
5,454,577	10/1995	Bell	280/204

[76] Inventor: **Cory J. Mast**, 501 W. Superior, Osceola, Ind. 46561

[**] Term: **14 Years**

Primary Examiner—Melody N. Brown
Attorney, Agent, or Firm—Harold H. Dutton, Jr.; W. Charles L. Jamison; Diane F. Liebman

[21] Appl. No.: **52,072**

[57] **CLAIM**

[22] Filed: **Mar. 22, 1996**

The ornamental design for a bicycle cart, as shown and described.

[51] LOC (6) Cl. **12-10**

[52] U.S. Cl. **D12/102**

[58] Field of Search D12/101, 114,
D12/102, 105; 280/656, 789, 204

DESCRIPTION

[56] **References Cited**

FIG. 1 is a perspective view of a bicycle cart showing my new design;
FIG. 2 is a right side view thereof; The left side view is a mirror image thereof;
FIG. 3 is a front view thereof;
FIG. 4 is a rear view thereof;
FIG. 5 is a top view thereof; and,
FIG. 6 is a bottom view thereof.

U.S. PATENT DOCUMENTS

D. 220,687	5/1971	Spiese	D12/102
D. 229,125	11/1973	Davis	D12/102
D. 266,157	9/1982	Rosadine	D12/105
D. 326,070	5/1992	Hollingworth, Jr.	D12/101
D. 340,429	10/1993	Smith	D12/102

1 Claim, 4 Drawing Sheets

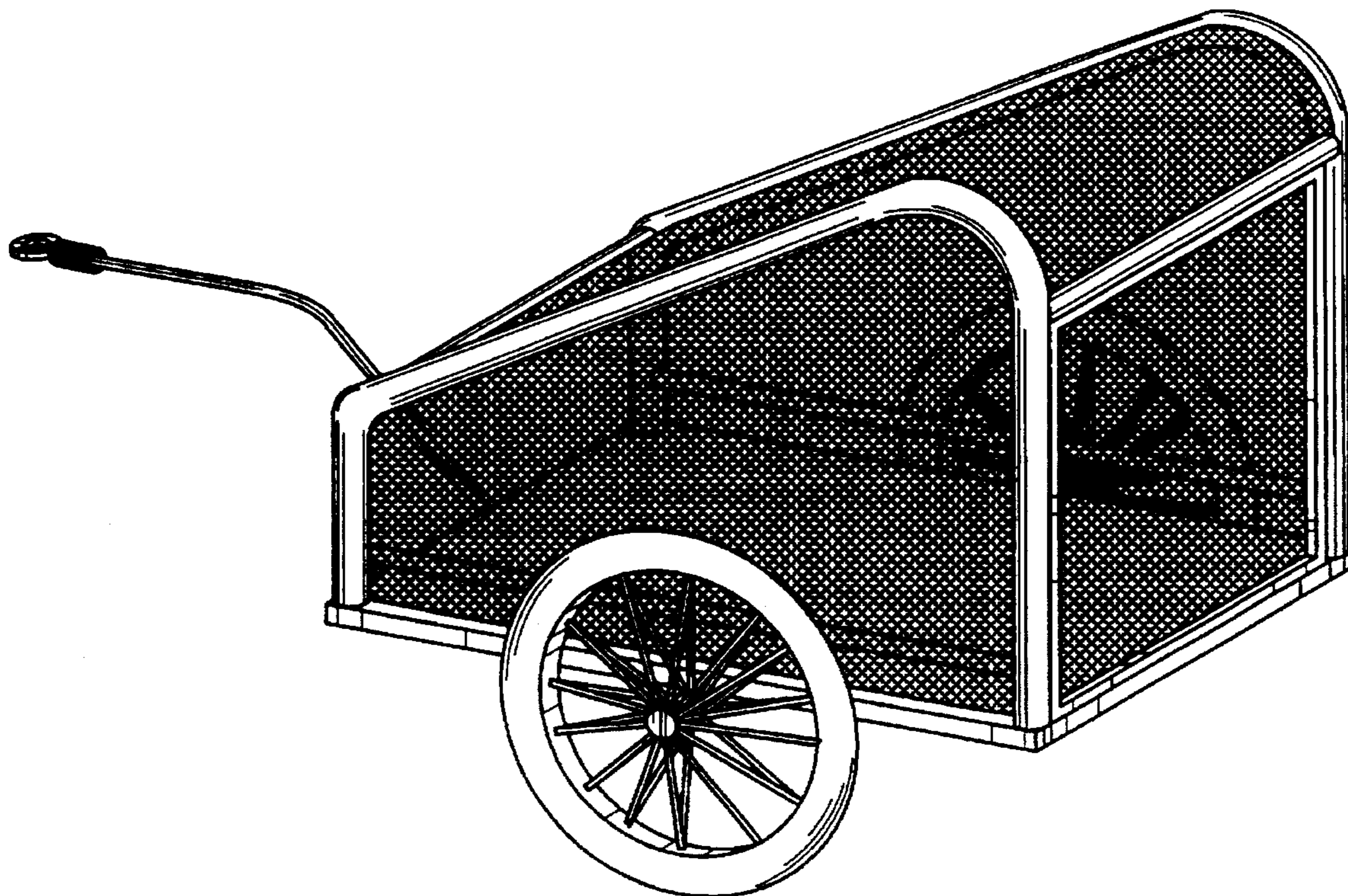


FIG. 1

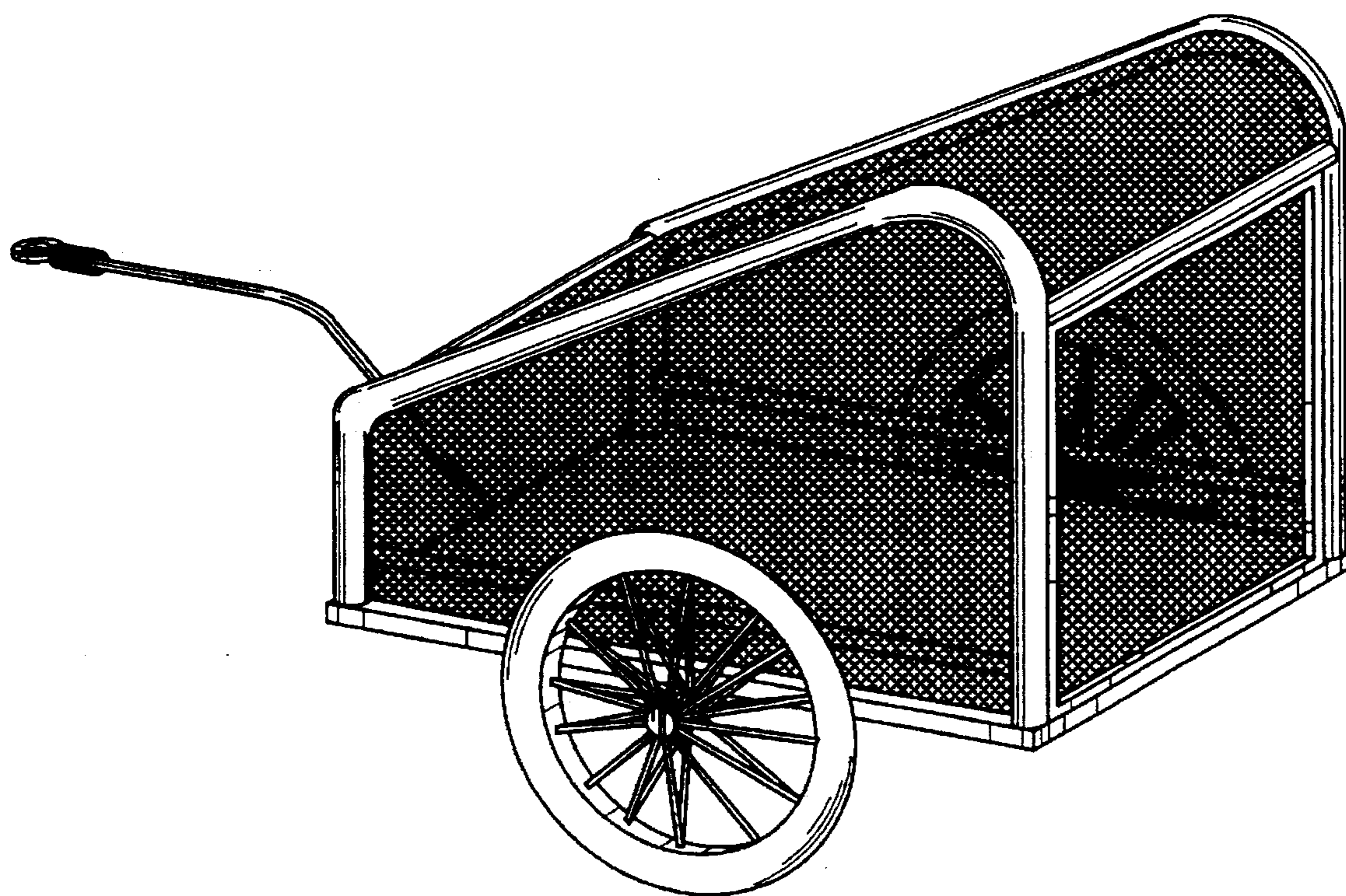
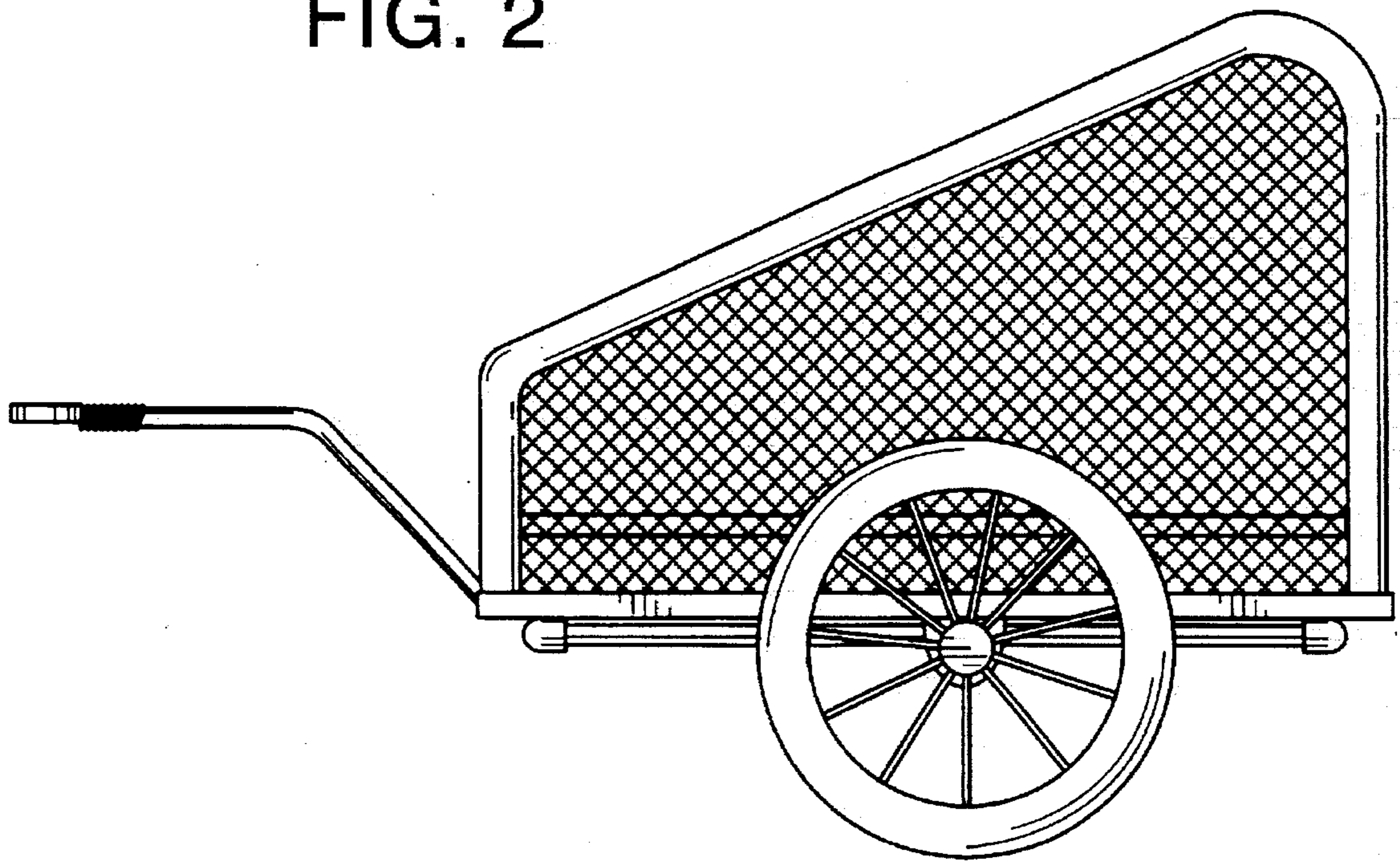


FIG. 2



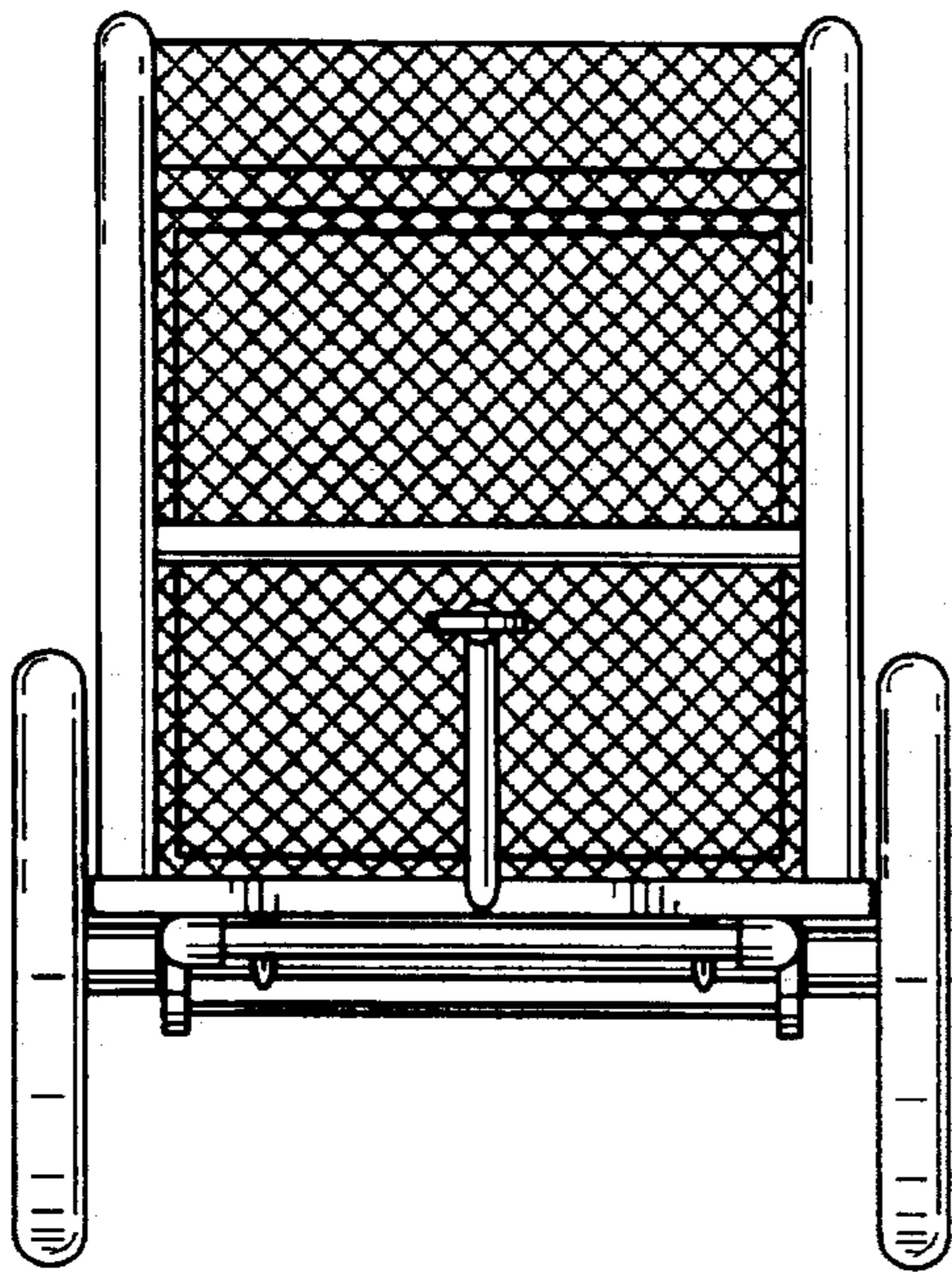


FIG. 3

FIG. 4

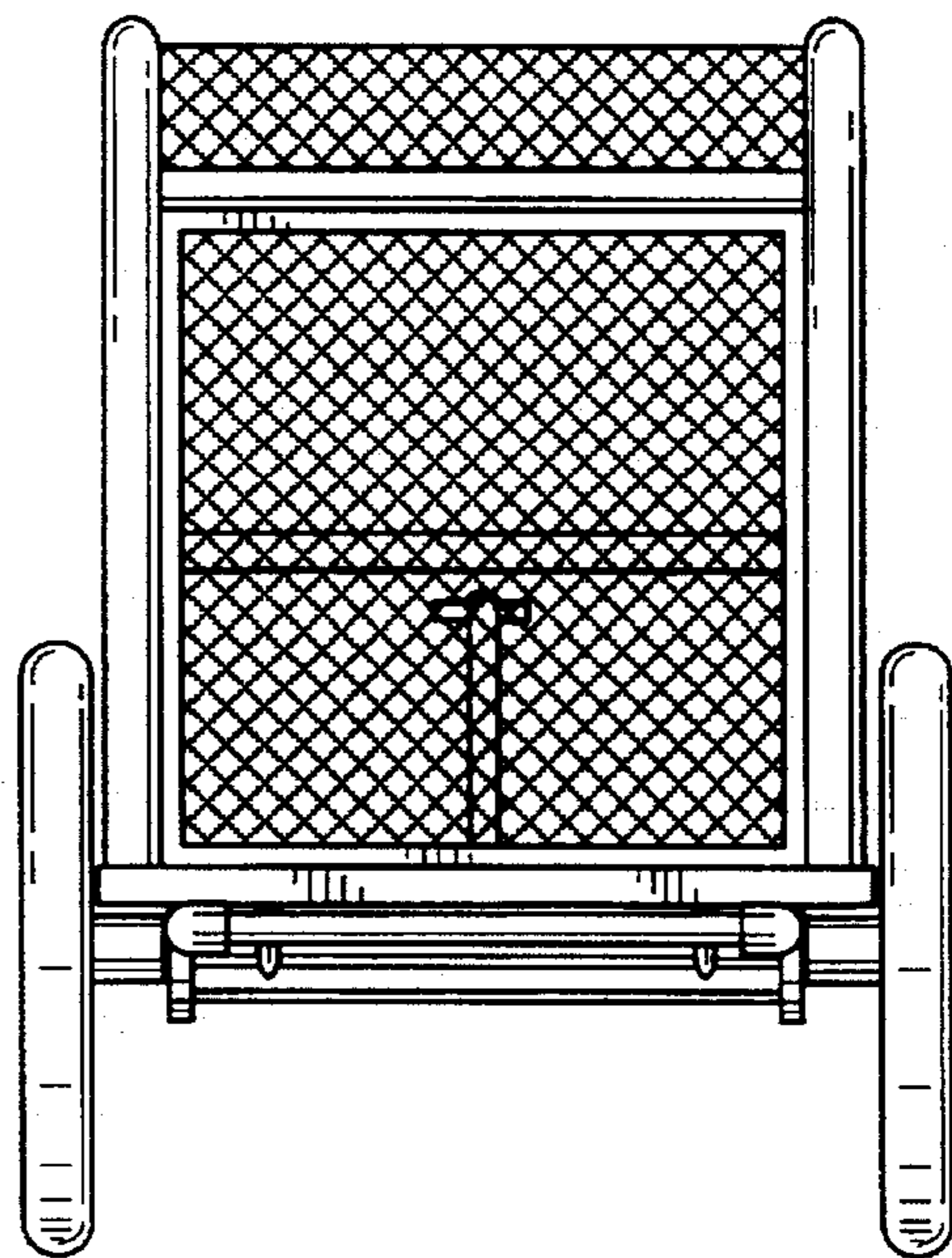


FIG. 5

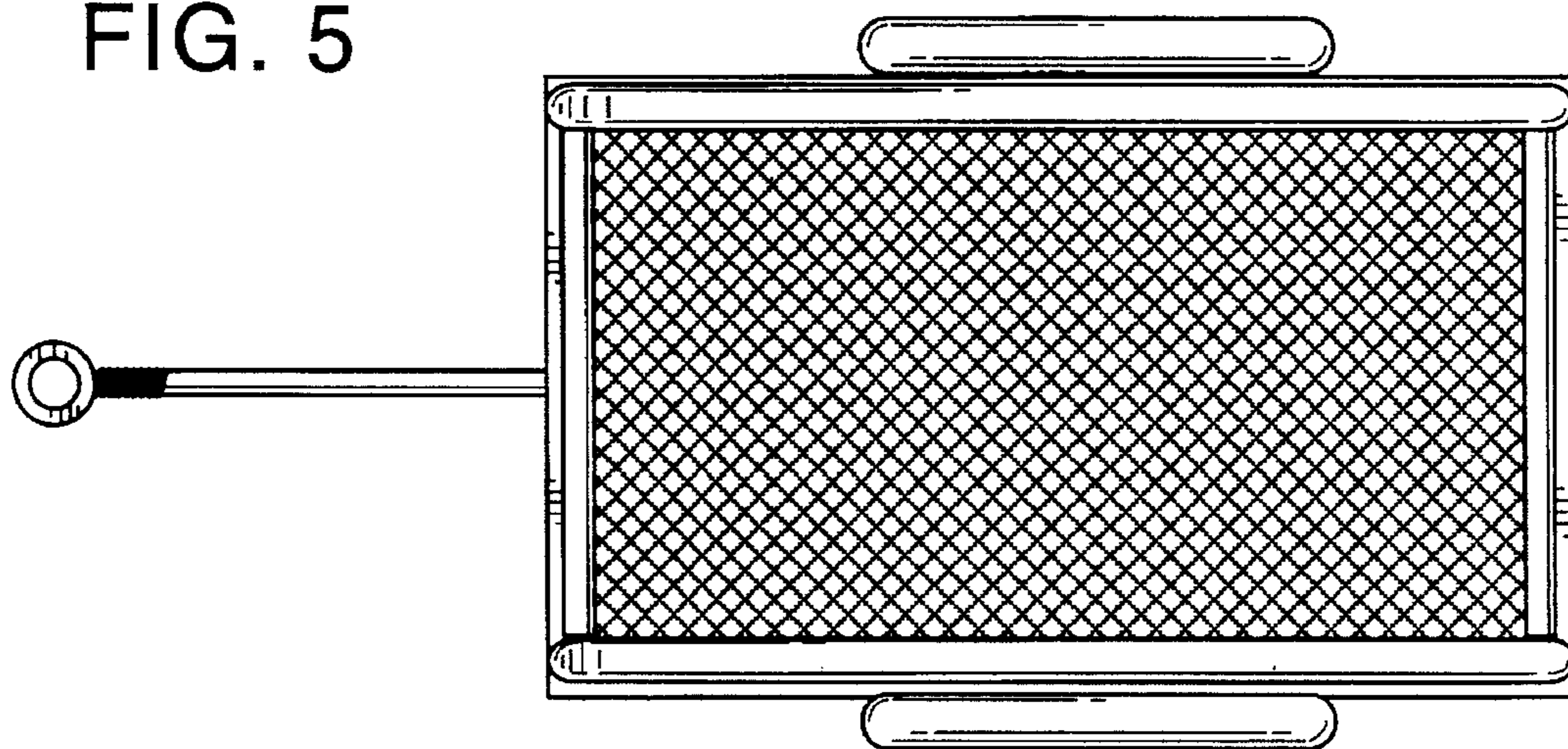


FIG. 6

