



US00D383080S

United States Patent [19]
Derrick

[11] **Patent Number: Des. 383,080**

[45] **Date of Patent: **Sep. 2, 1997**

[54] **CAUTION SIGNAL**

3,334,856 8/1967 Corey 116/63 T
3,806,234 4/1974 Brady 116/63 P

[75] **Inventor: Matthew M. Derrick, South Bend, Ind.**

Primary Examiner—Marcus A. Jackson
Attorney, Agent, or Firm—Barnes & Thornburg

[73] **Assignee: SEG Corporation, Mishawaka, Ind.**

[**] **Term: 14 Years**

[57] **CLAIM**

[21] **Appl. No.: 45,692**

The ornamental design for a caution signal, as shown and described.

[22] **Filed: Oct. 26, 1995**

DESCRIPTION

[51] **LOC (6) Cl. 10-05**

[52] **U.S. Cl. D10/109**

[58] **Field of Search D10/109, 111,
D10/114, 121; 116/63, 63 P, 63 T**

FIG. 1 is a perspective view of a caution signal incorporating my new design. The dotted lines do not form any part of the invention;

FIG. 2 is a front elevational view of the caution signal;

FIG. 3 is a right side elevational view of the caution signal, with the left side being a mirror image thereof;

FIG. 4 is a top plan view of the caution signal;

FIG. 5 is a rear elevational view of the caution signal; and,

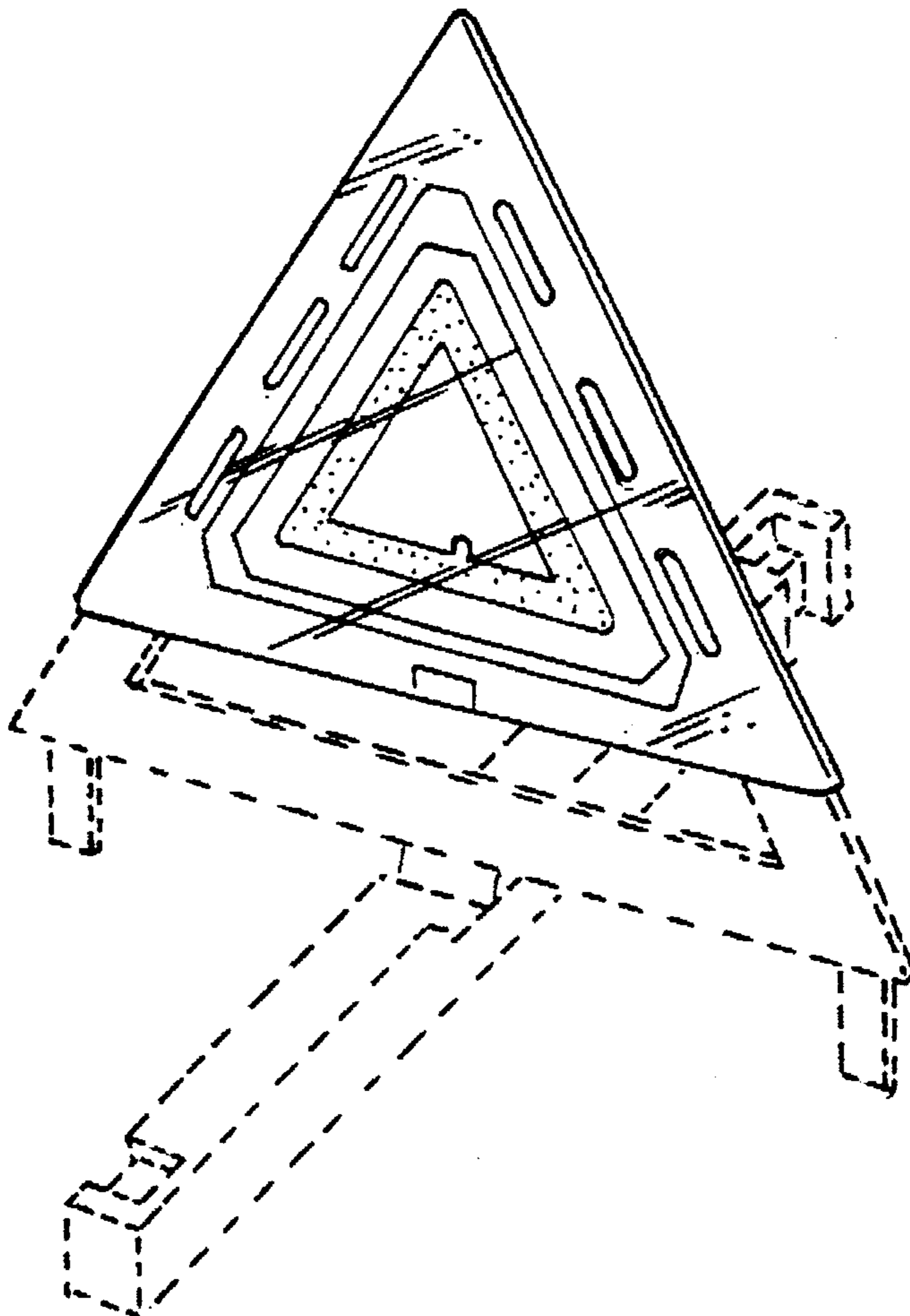
FIG. 6 is a bottom plan view of the caution signal.

[56] **References Cited**

U.S. PATENT DOCUMENTS

D. 311,148	10/1990	Yuen	D10/114
D. 314,161	1/1991	Kondo	D10/114
2,887,983	5/1959	Buda	D10/109

1 Claim, 2 Drawing Sheets



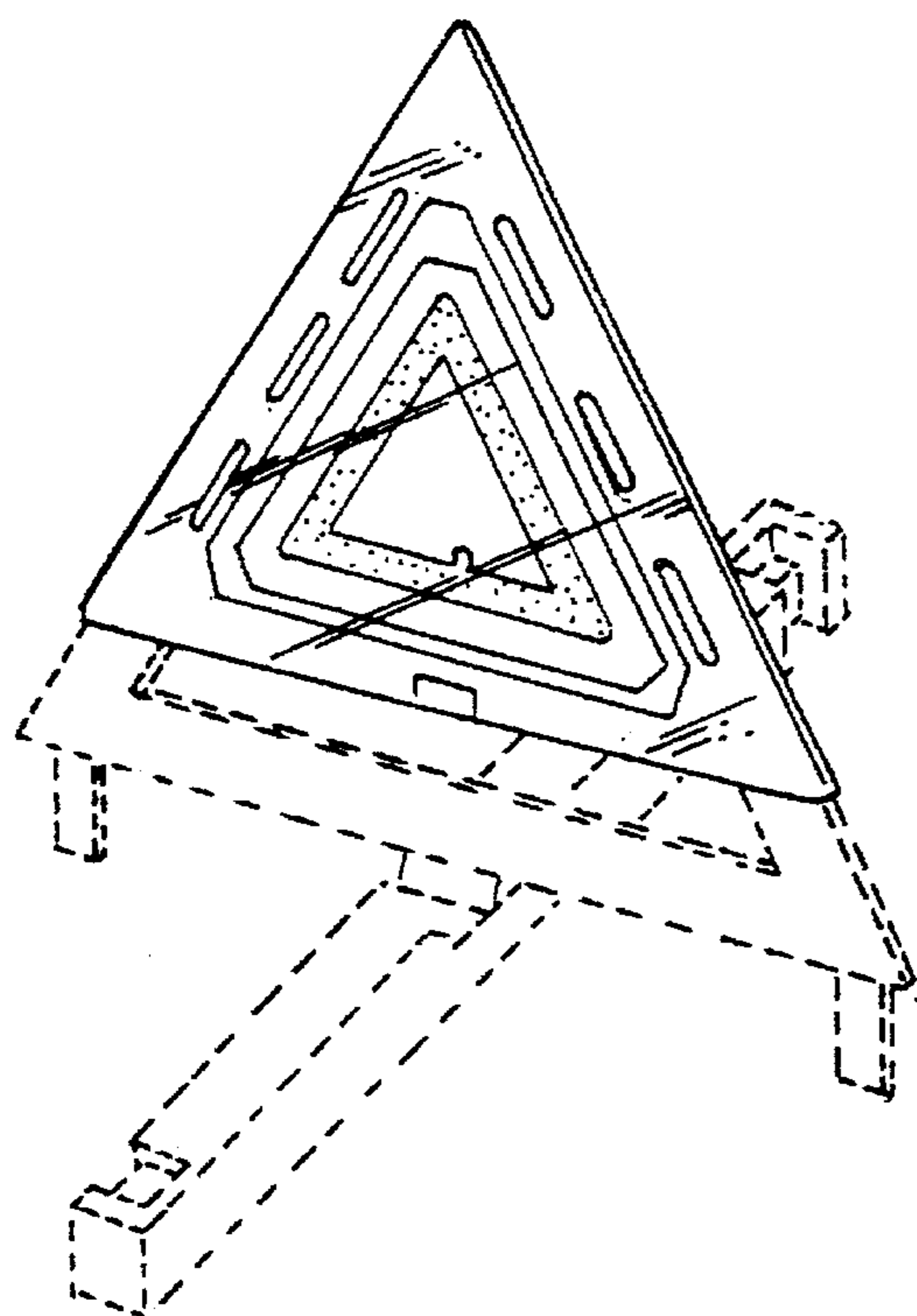


FIG. 1

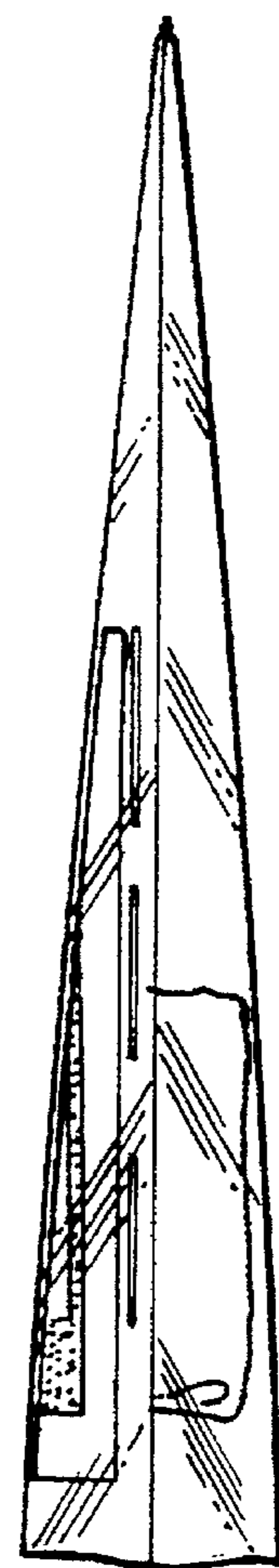


FIG. 3

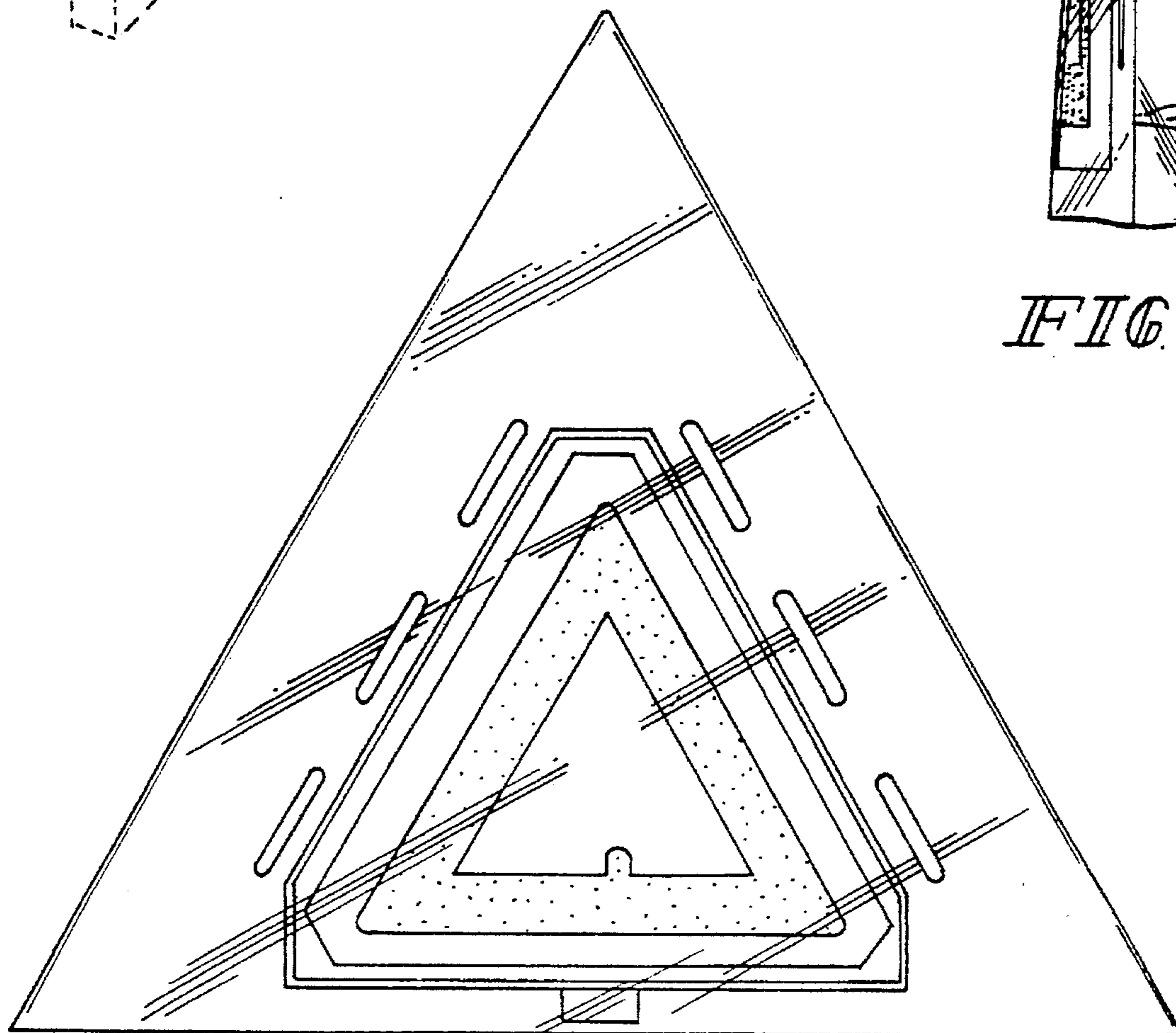


FIG. 2

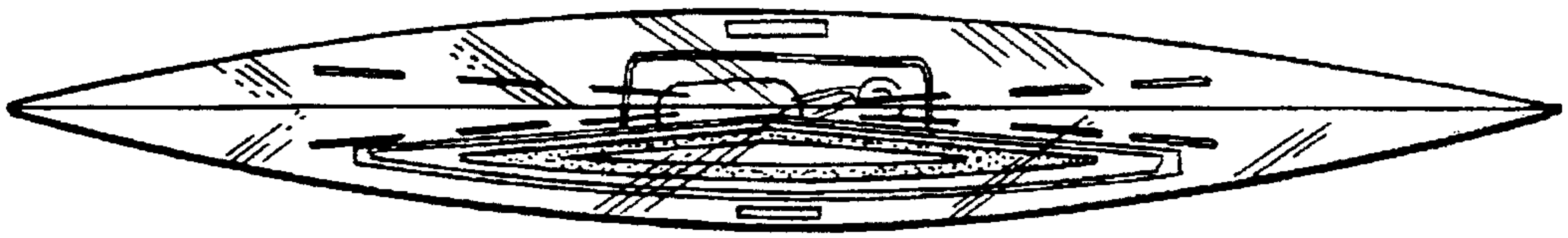


FIG. 4

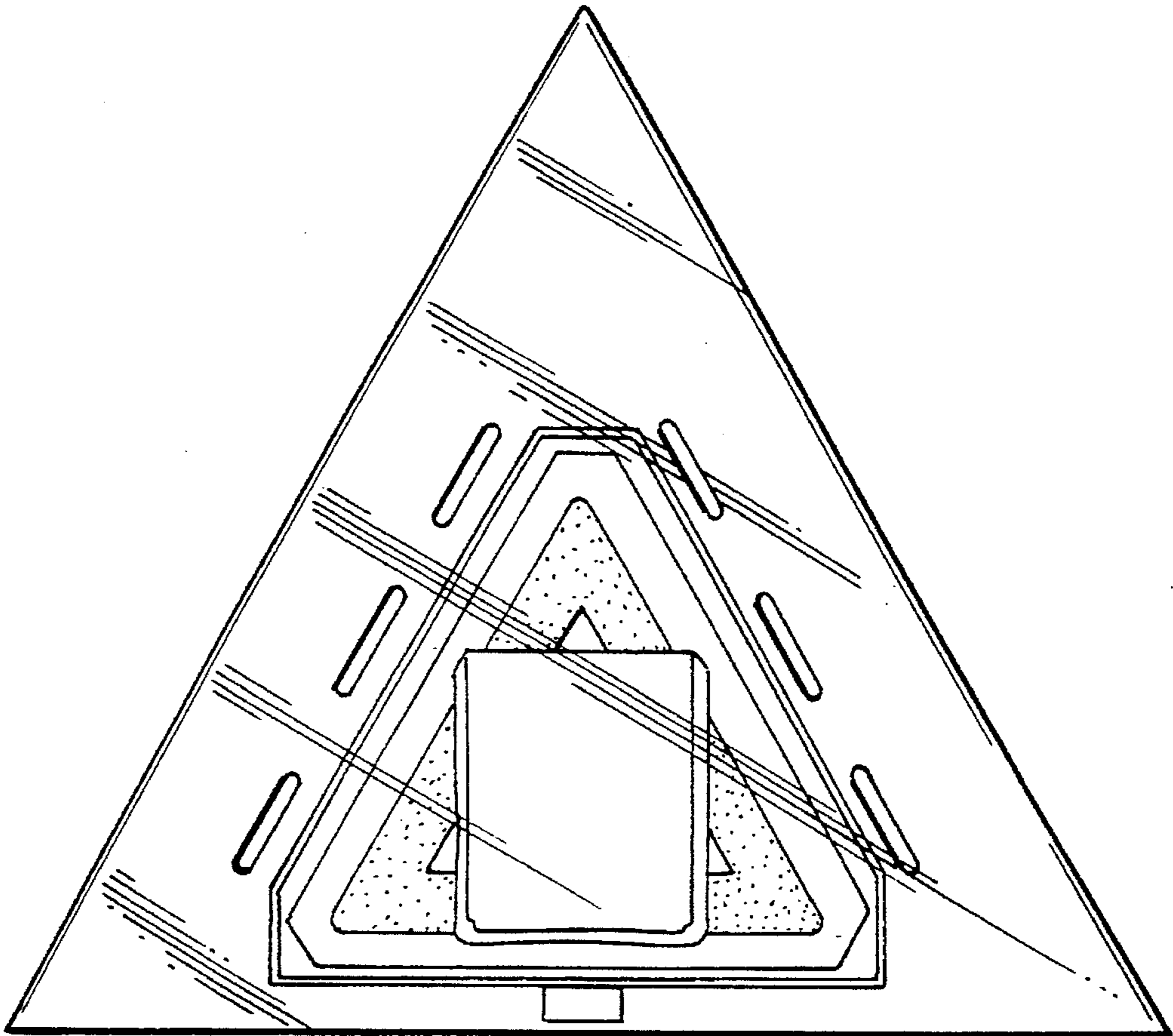


FIG. 5

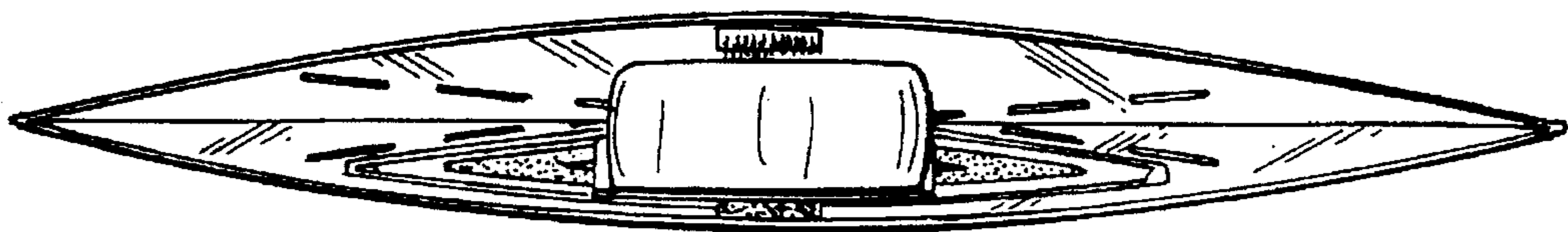


FIG. 6