



US00D383079S

United States Patent [19]

[11] Patent Number: **Des. 383,079**

Baydoun et al.

[45] Date of Patent: ****Sep. 2, 1997**

[54] REMOTE SECURITY MONITOR SYSTEM

[76] Inventors: **Mohammed M. Baydoun; Sawsan H. Baydoun**, both of 4130 Lapham St., Dearborn, Mich. 48126

[**] Term: **14 Years**

[21] Appl. No.: **52,998**

[22] Filed: **Apr. 12, 1996**

[51] LOC (6) Cl. **10-05**

[52] U.S. Cl. **D10/106**

[58] Field of Search D10/104, 106, D10/116, 121; 340/500, 502, 503, 504, 505, 506, 507, 508, 509, 540, 541, 571, 572

[56] References Cited

U.S. PATENT DOCUMENTS

D. 278,142	3/1985	Chan	D10/106
D. 283,406	4/1986	Green, Jr.	D10/106
D. 344,466	2/1994	Caldwell et al.	D10/106
D. 345,712	4/1994	Rounds	D10/106

Primary Examiner—Marcus A. Jackson
Attorney, Agent, or Firm—Harold H. Dutton, Jr.; W. Charles L. Jamison; Diane F. Liebman

[57] CLAIM

The ornamental design for a remote security monitor system, as shown and described.

DESCRIPTION

FIG. 1 is a perspective view of a remote security monitor system showing our new design, with the wires broken away to indicate indeterminate length;
 FIG. 2 is a front view of the monitor portion thereof;
 FIG. 3 is a rear view thereof;
 FIG. 4 is a left view thereof;
 FIG. 5 is a right view thereof;
 FIG. 6 is a top view thereof;
 FIG. 7 is a bottom view thereof;
 FIG. 8 is a front view of the cellular phone portion thereof;
 FIG. 9 is a rear view thereof;
 FIG. 10 is a left view thereof; and the right view is a mirror image thereof;
 FIG. 11 is a top view thereof; and,
 FIG. 12 is a bottom view thereof.

1 Claim, 7 Drawing Sheets

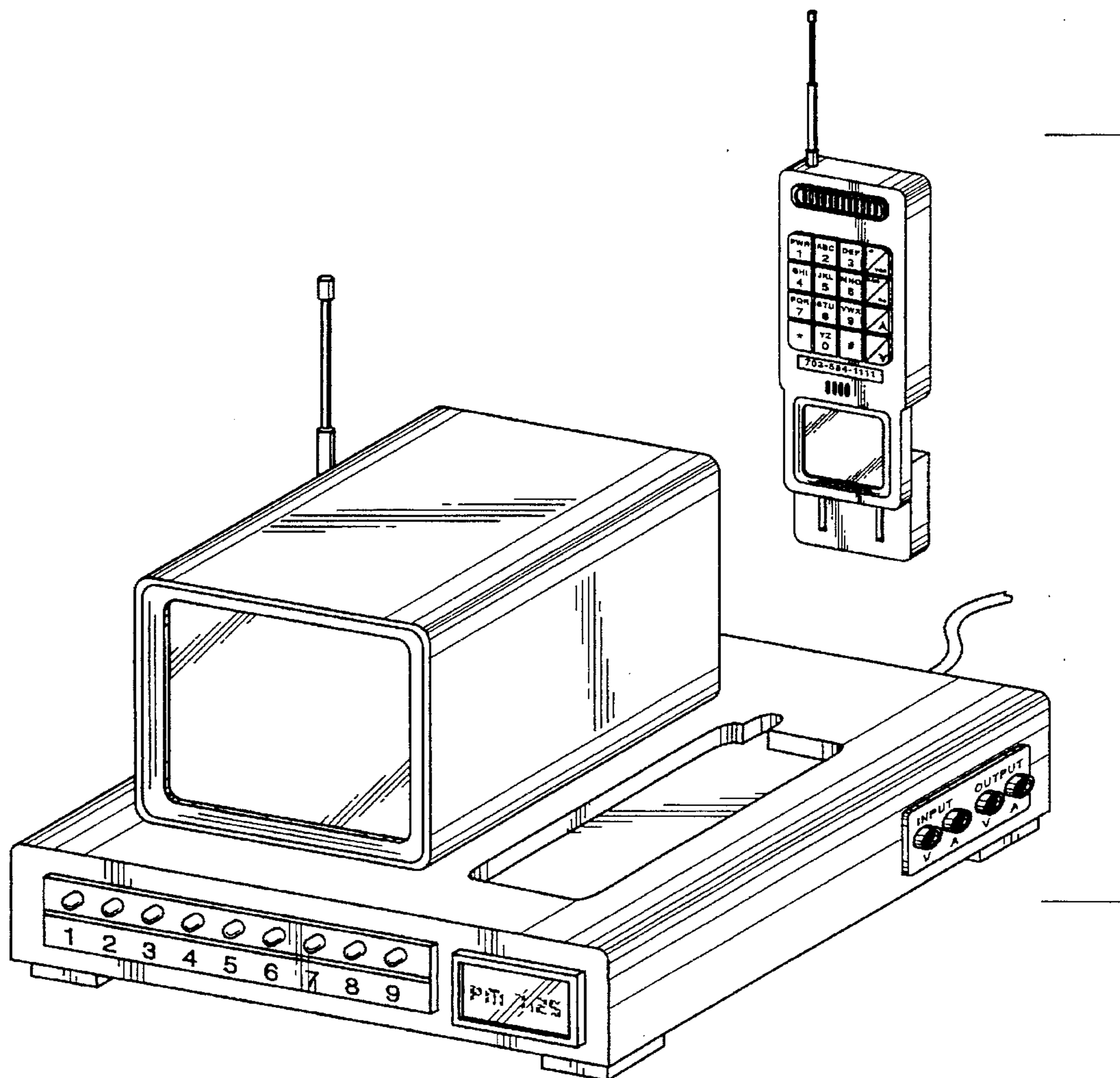
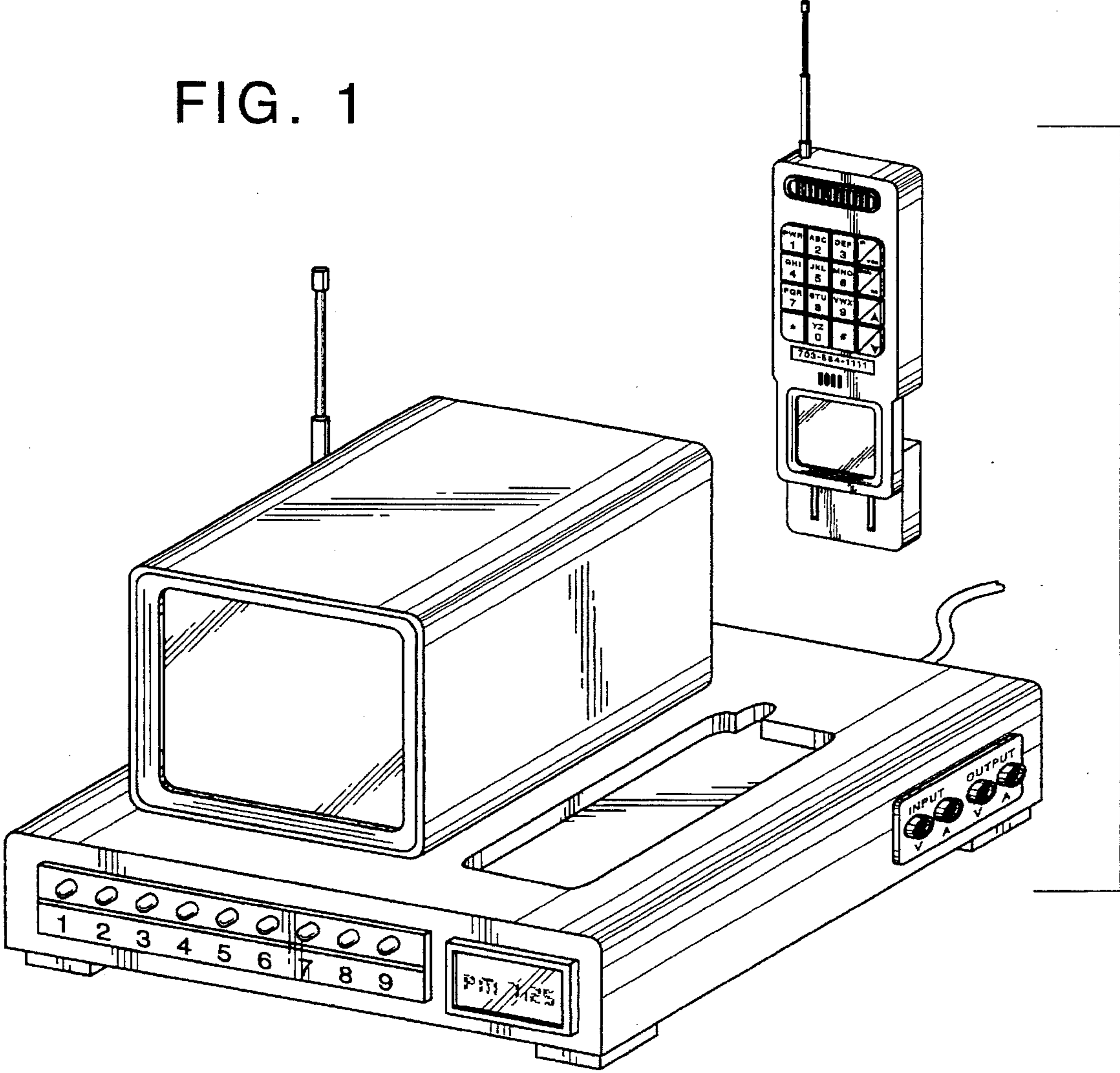


FIG. 1



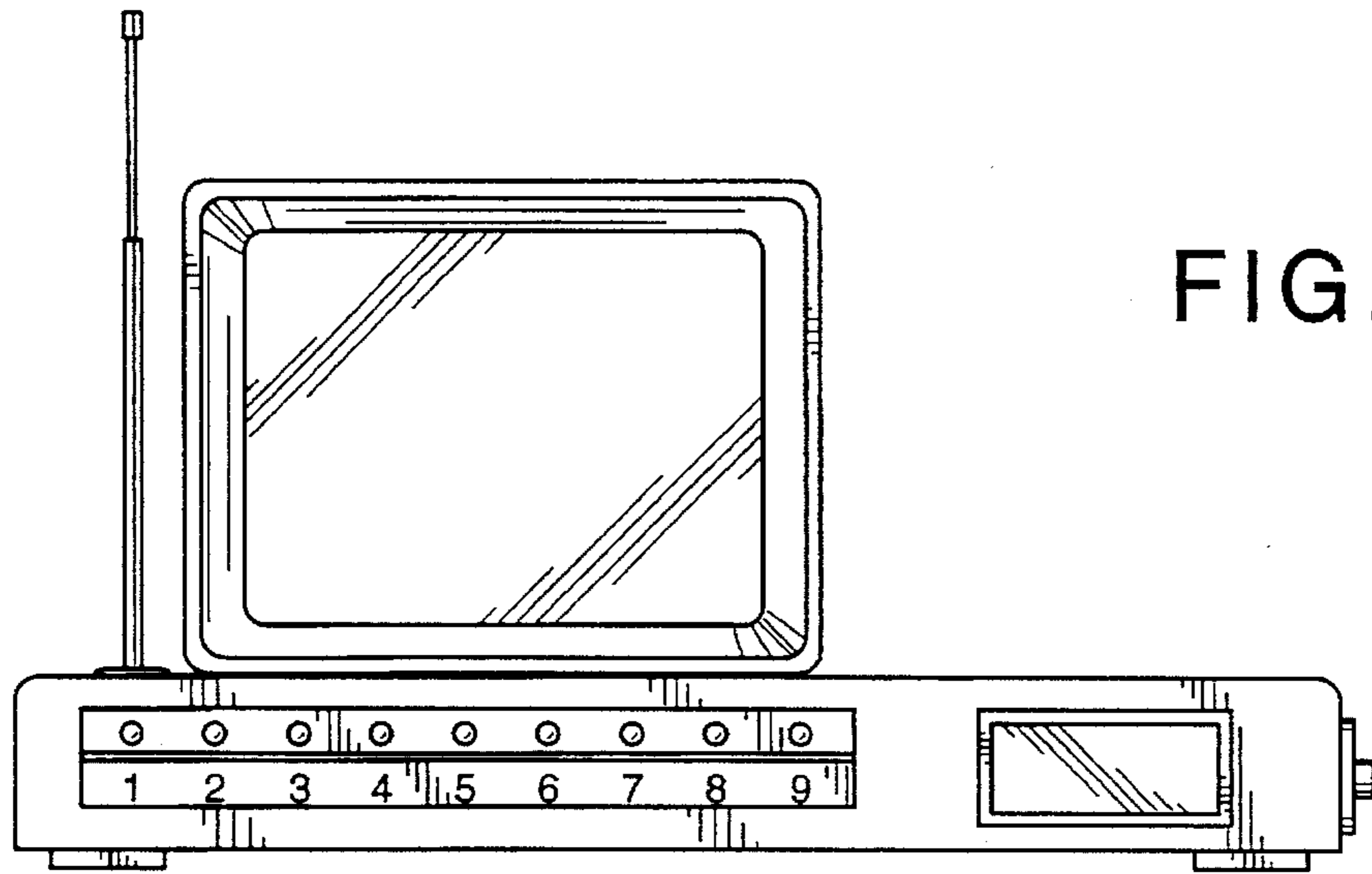
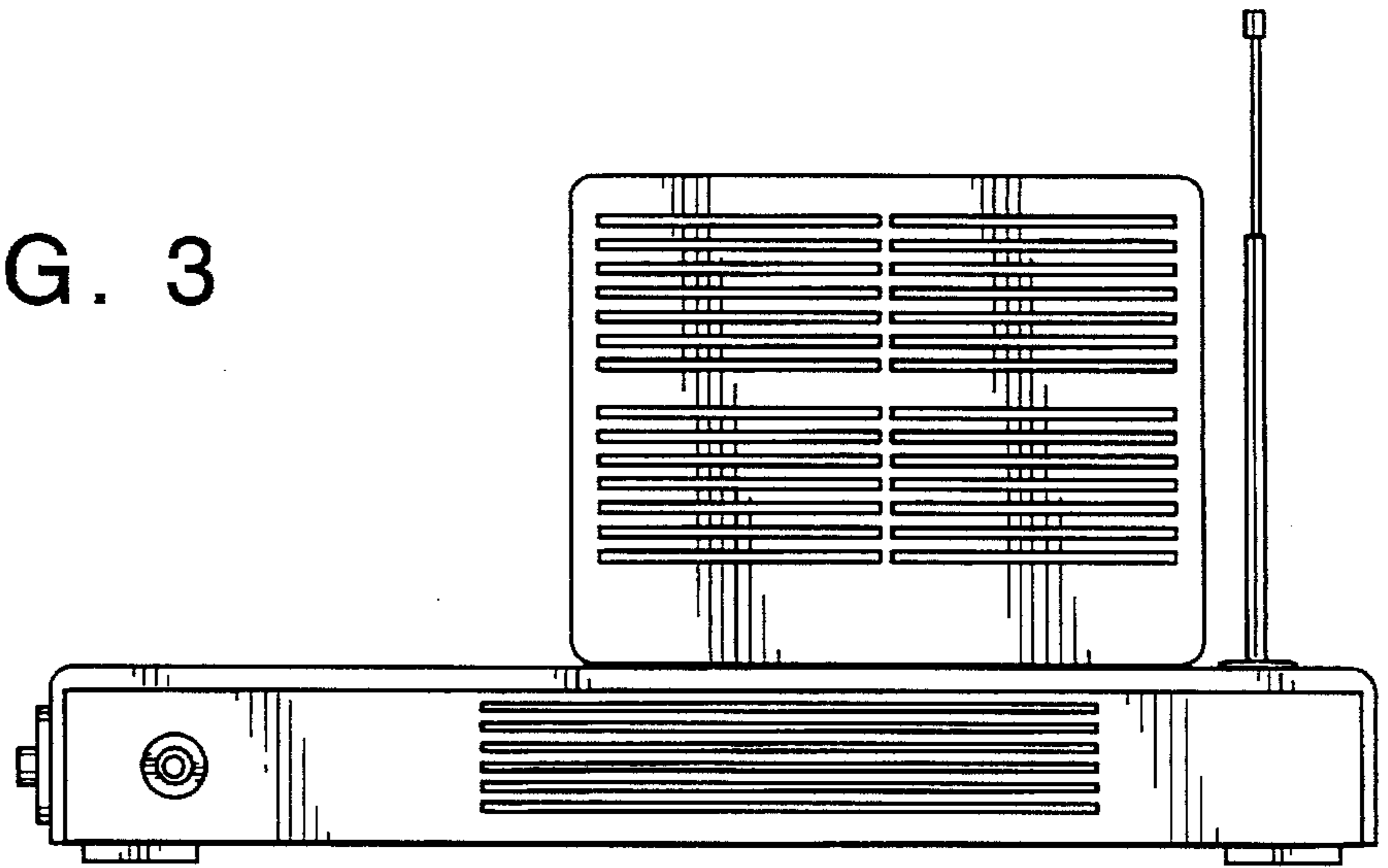


FIG. 2

FIG. 3



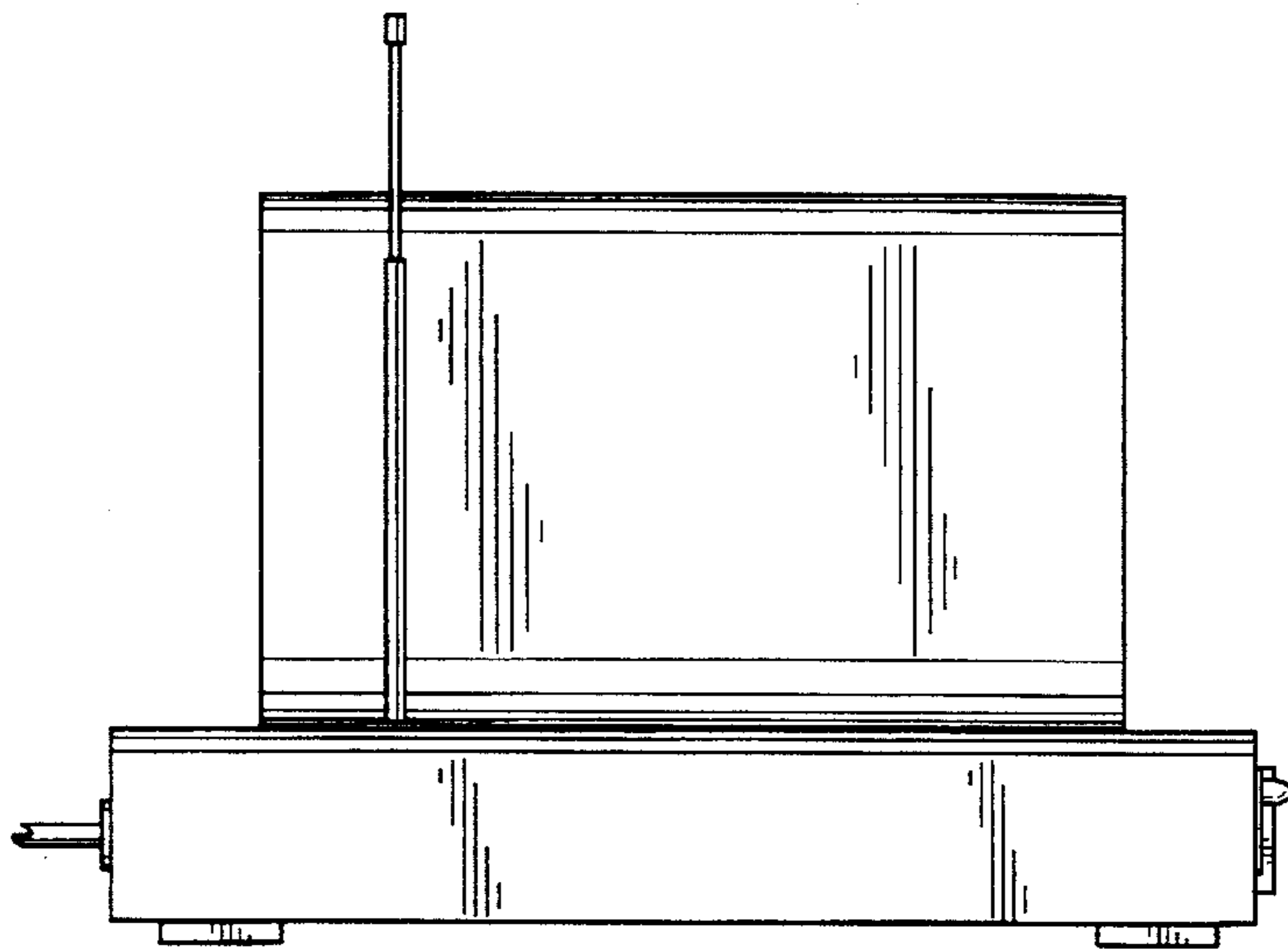
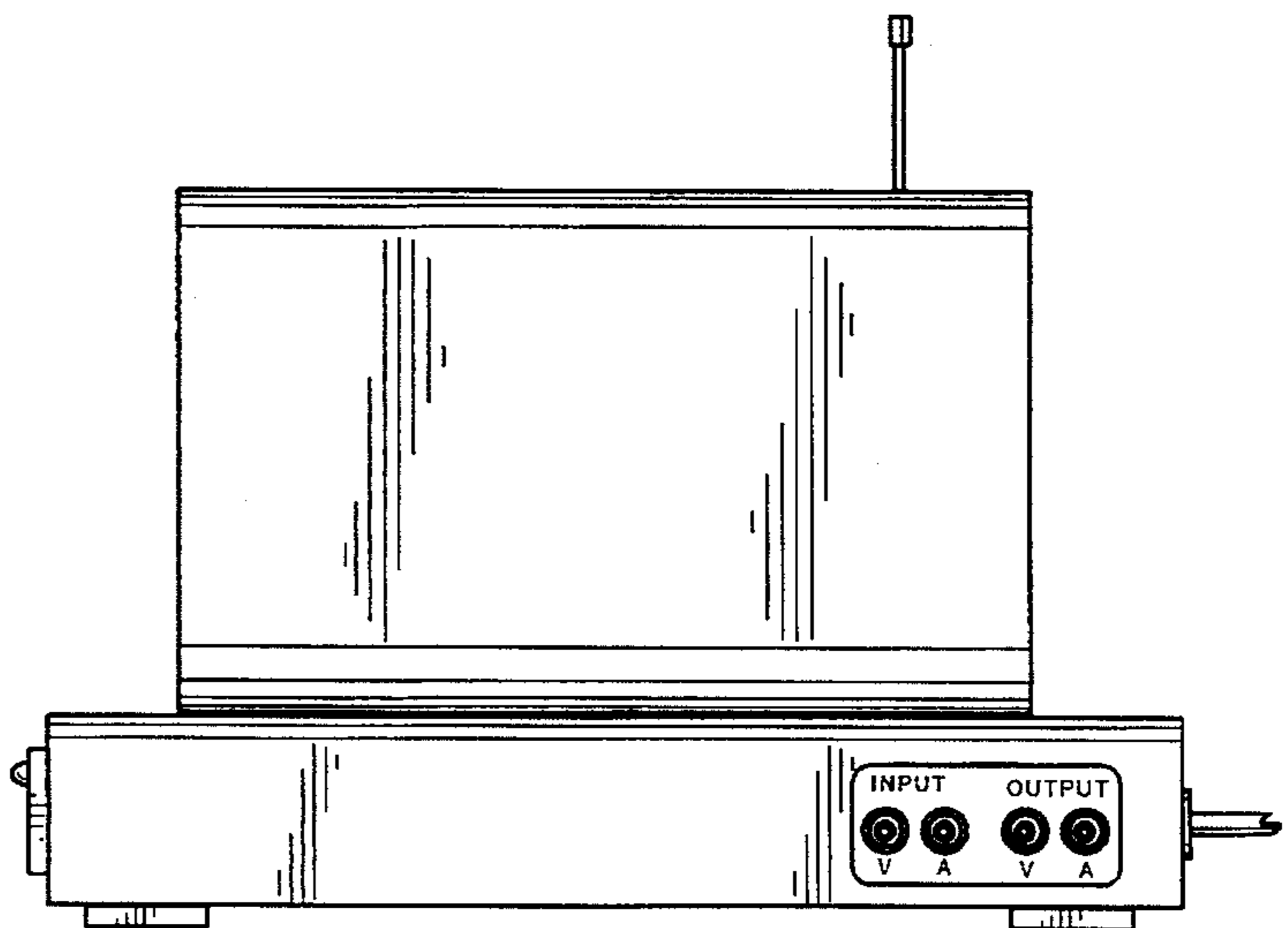


FIG. 4

FIG. 5



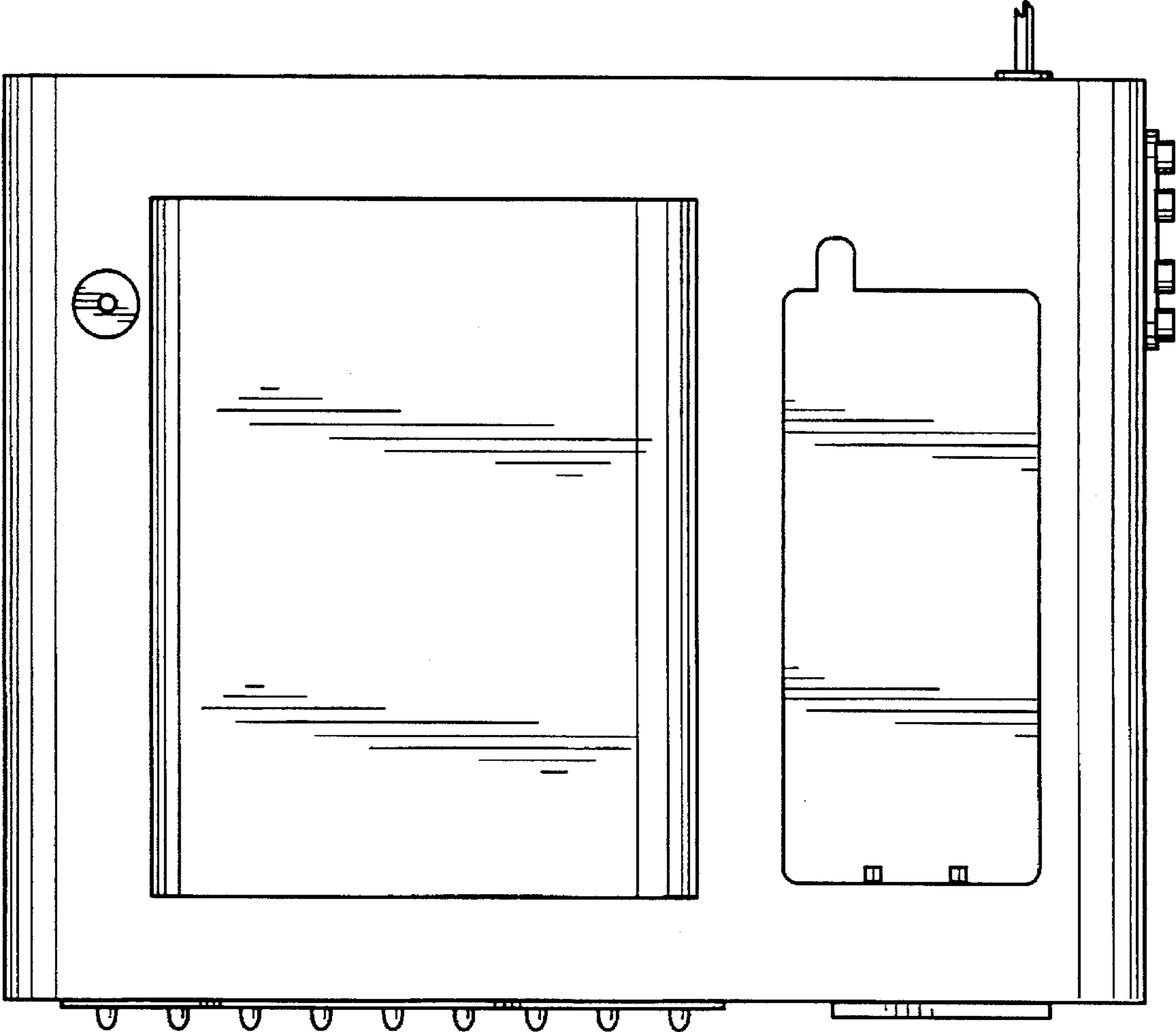


FIG. 6

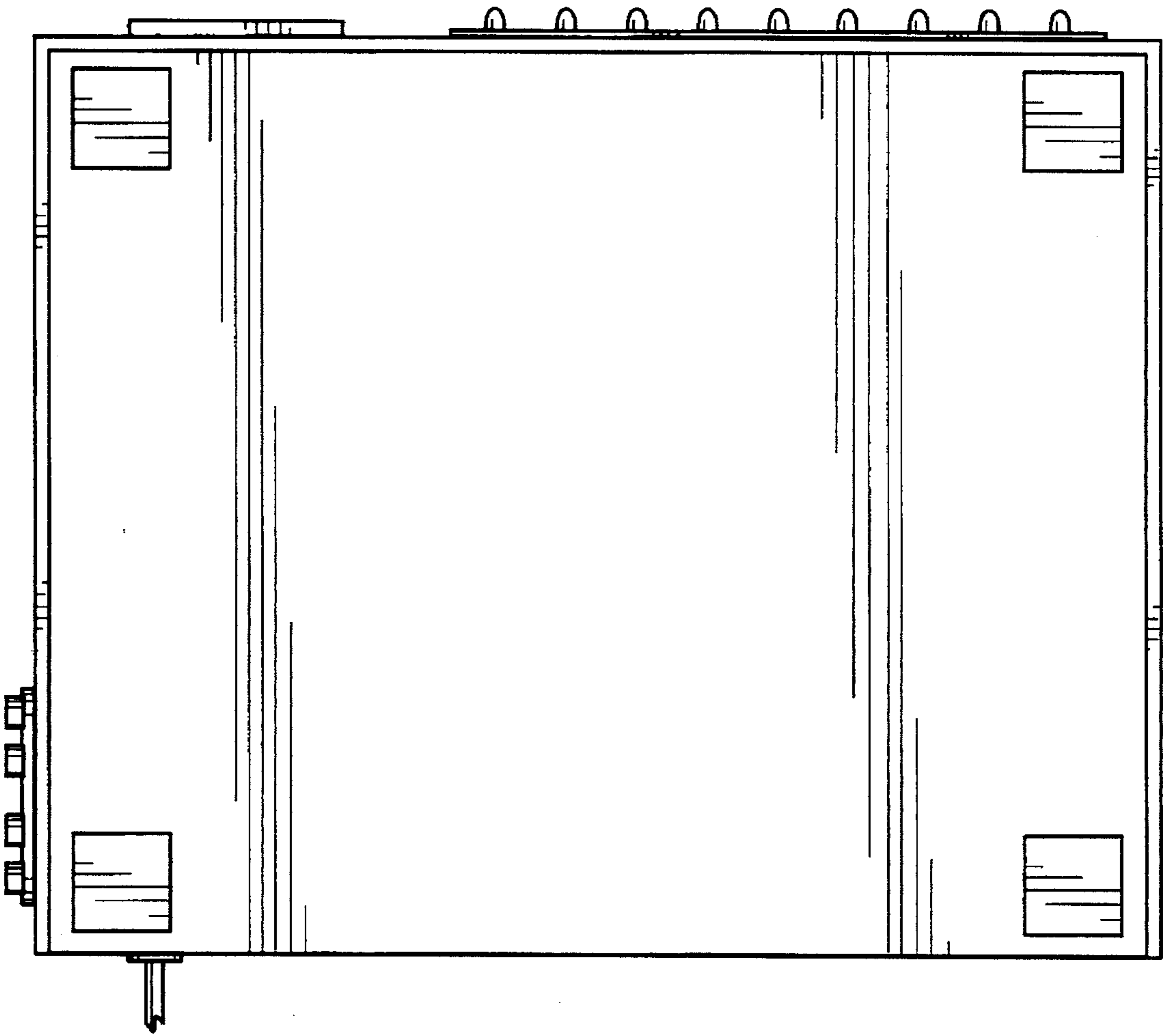


FIG. 7

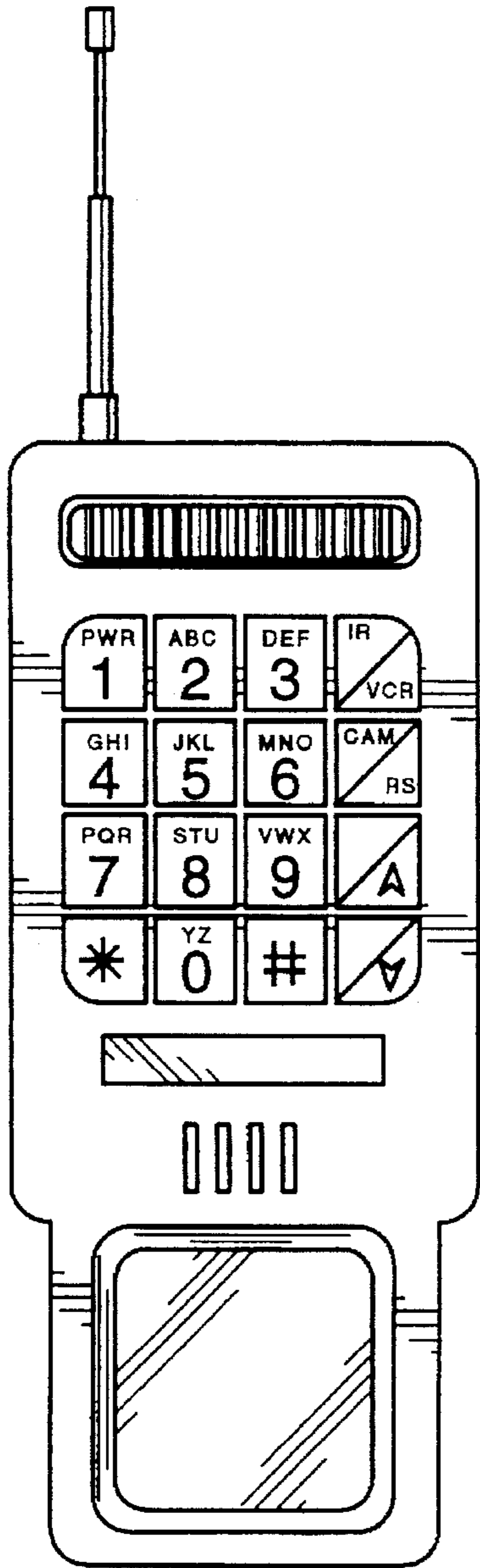
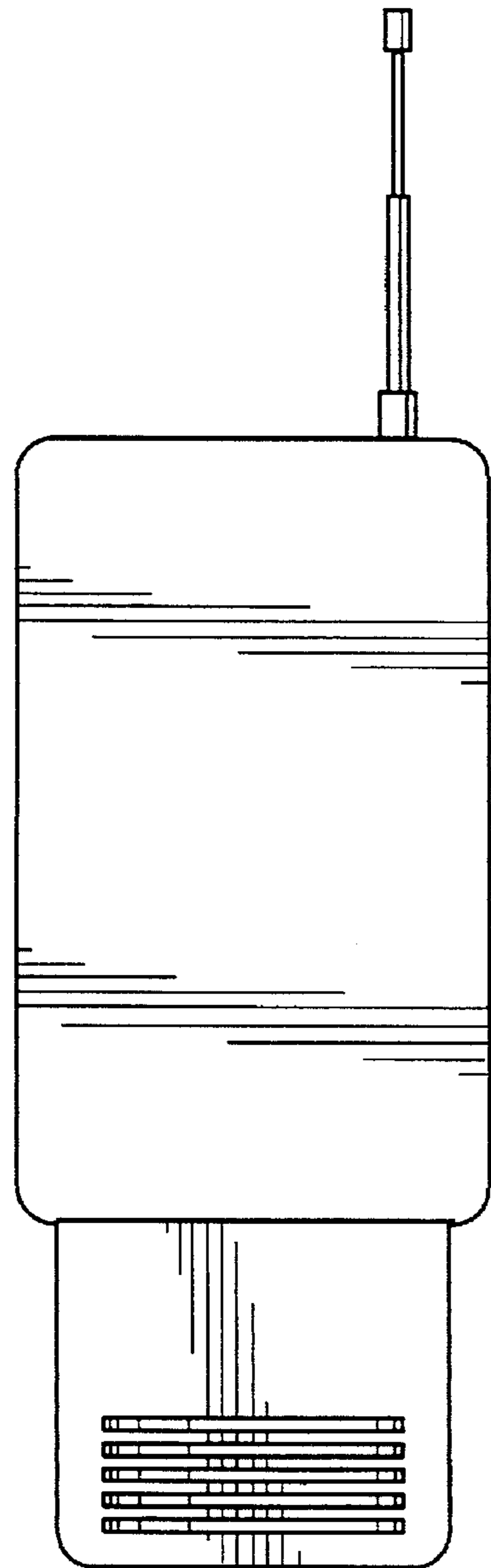


FIG. 8

FIG. 9



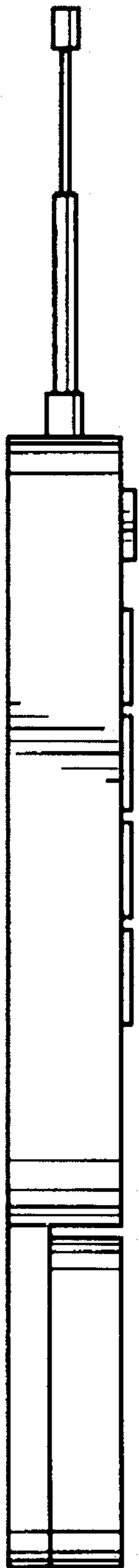


FIG. 10

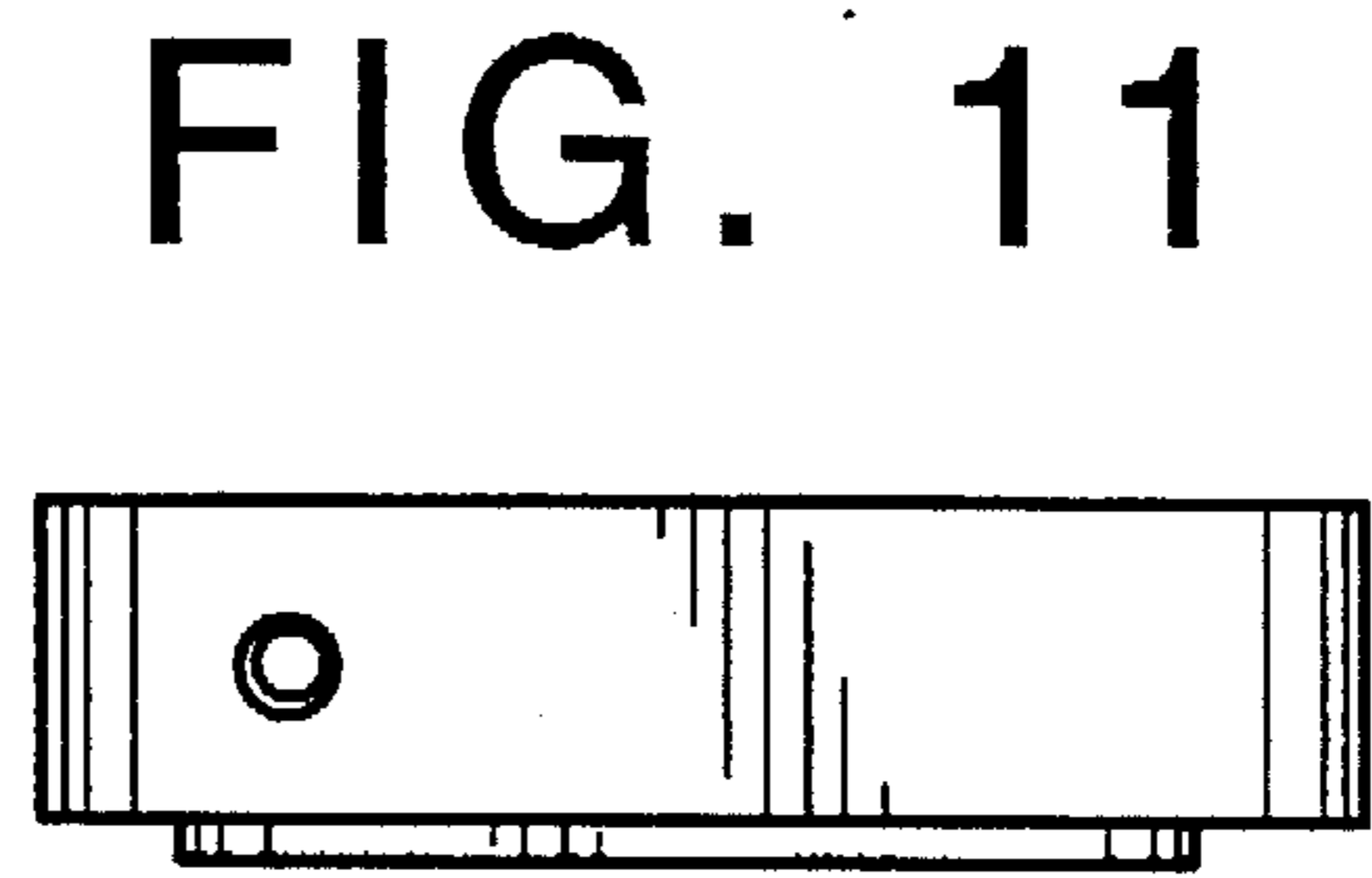


FIG. 11

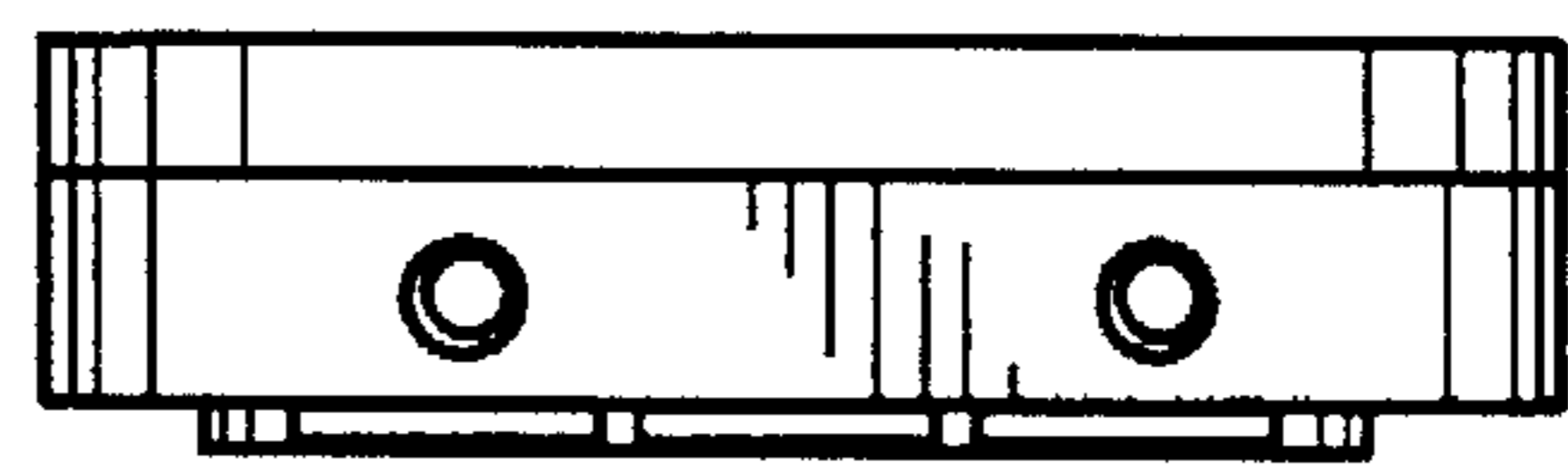


FIG. 12