



US00D383077S

United States Patent [19]

Peyton et al.

[11] Patent Number: **Des. 383,077**

[45] Date of Patent: ****Sep. 2, 1997**

[54] **COMBINED TRANSMITTER AND RECEIVER FOR LOCATING BEVERAGES**

[76] Inventors: **Alvin Peyton; Billy McElhaney, Jr.**, both of P.O. Box 152, Bridgeport, Tex. 76426

[**] Term: **14 Years**

[21] Appl. No.: **43,691**

[22] Filed: **Sep. 11, 1995**

[51] LOC (6) Cl. **10-05**

[52] U.S. Cl. **D10/104**

[58] Field of Search D10/104, 106, D10/116, 121; D14/155; 340/546, 567, 571, 572, 573, 586

[56] **References Cited**

U.S. PATENT DOCUMENTS

D. 339,757	9/1993	Feeney	D10/106
D. 345,932	4/1994	Fedalizo	D10/106
D. 346,125	4/1994	Cote et al.	D10/106
D. 349,662	8/1994	Butcher et al.	D10/104
D. 367,017	2/1996	Dempsey	D10/104

Primary Examiner—Marcus A. Jackson
Attorney, Agent, or Firm—Harold H. Dutton, Jr.; W. Charles L. Jamison; Diane S. Liebman

[57] **CLAIM**

The ornamental design for a combined transmitter and receiver for locating beverages, as shown and described.

DESCRIPTION

FIG. 1 is a perspective view of a combined transmitter and receiver for locating beverages showing my new design; FIG. 2 is a rear elevational view of the receiver portion; FIG. 3 is a right side view thereof; FIG. 4 is a left side view thereof; FIG. 5 is a top view thereof; FIG. 6 is a bottom view thereof; FIG. 7 is a top view of the transmitter portion thereof; FIG. 8 is a bottom view thereof; FIG. 9 is a rear end view thereof; FIG. 10 is a front end view thereof; and, FIG. 11 is a side view thereof. The side opposite to that shown in FIG. 11 is a mirror image thereof.

1 Claim, 4 Drawing Sheets

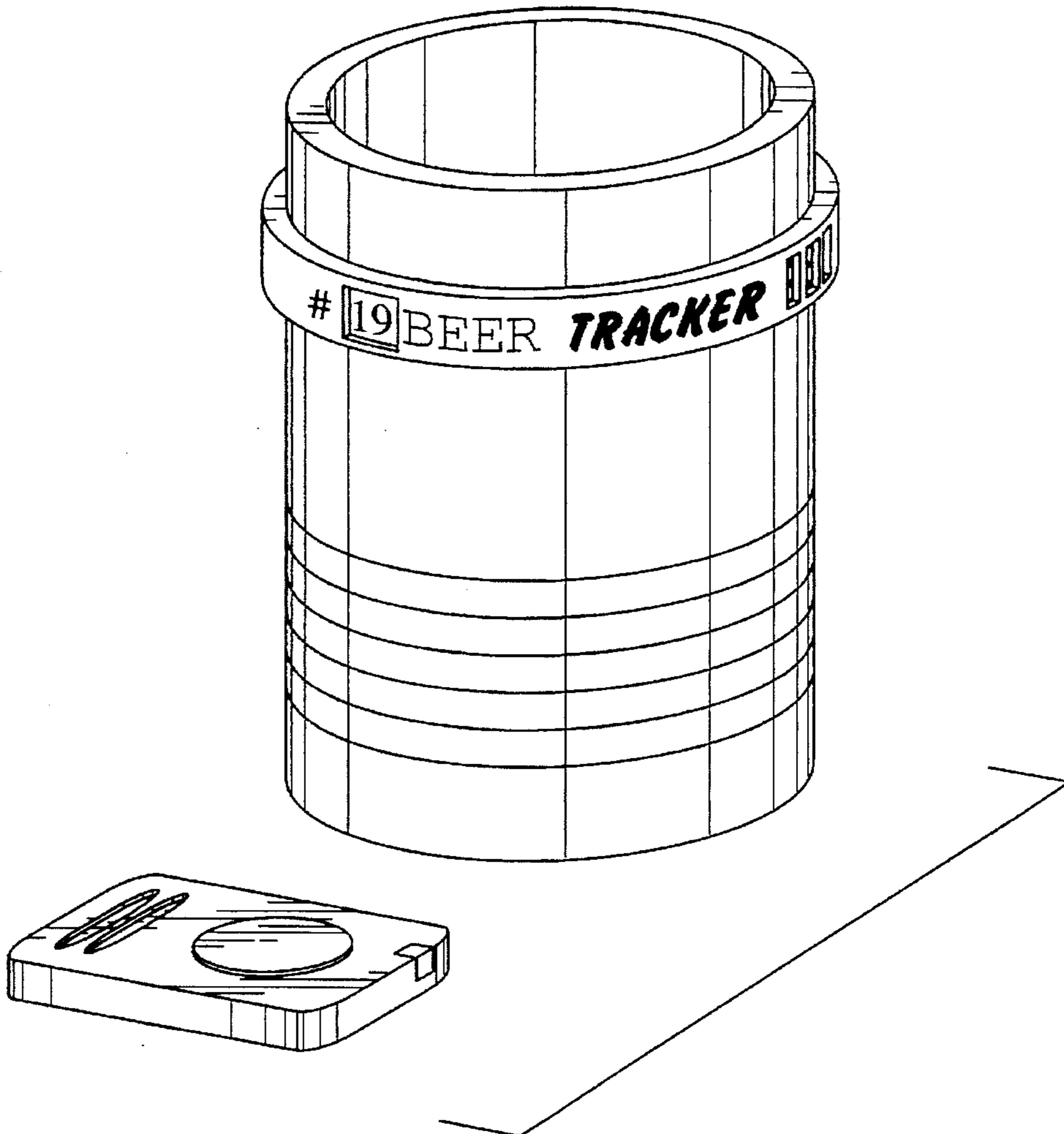
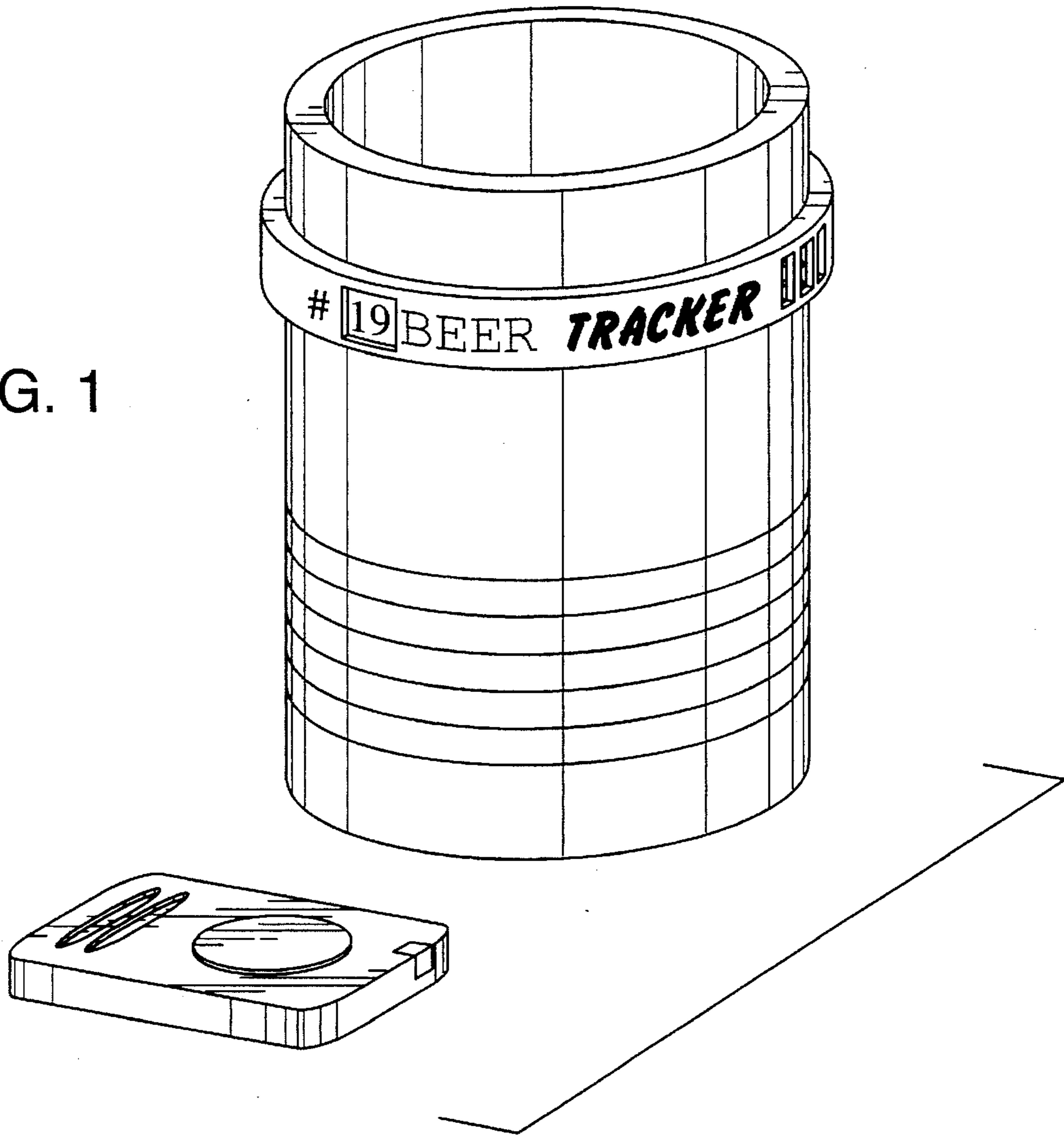


FIG. 1



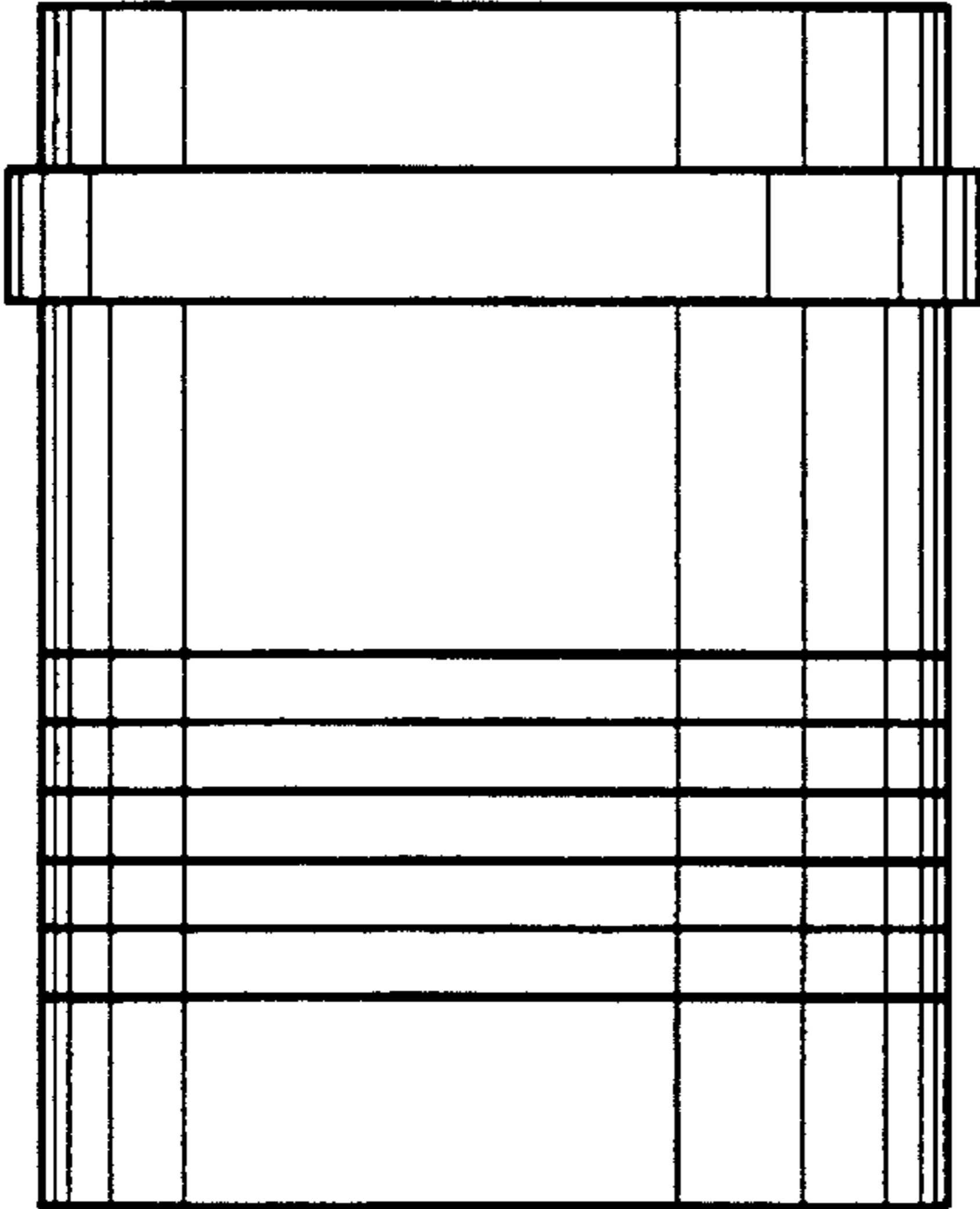


FIG. 2

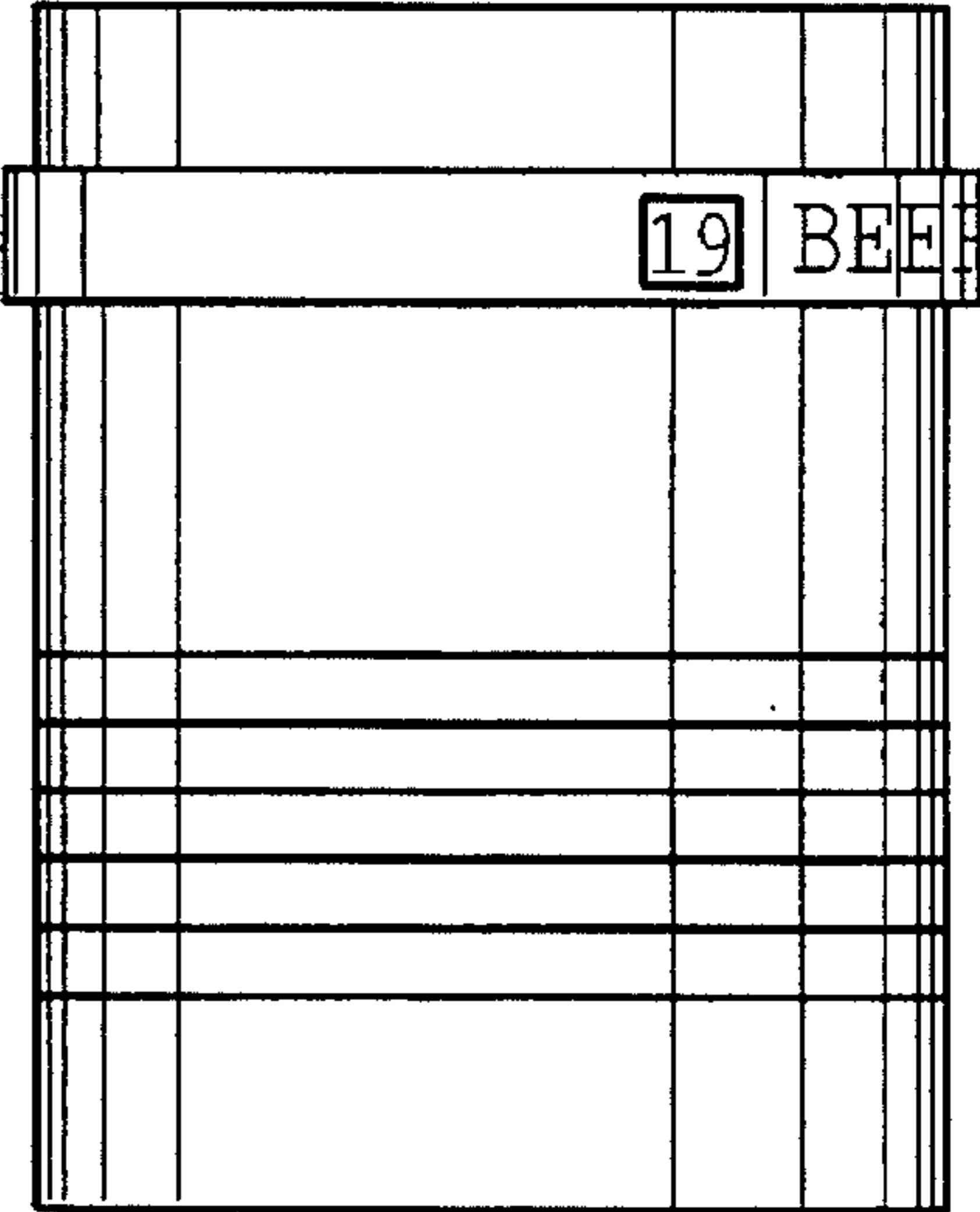


FIG. 4

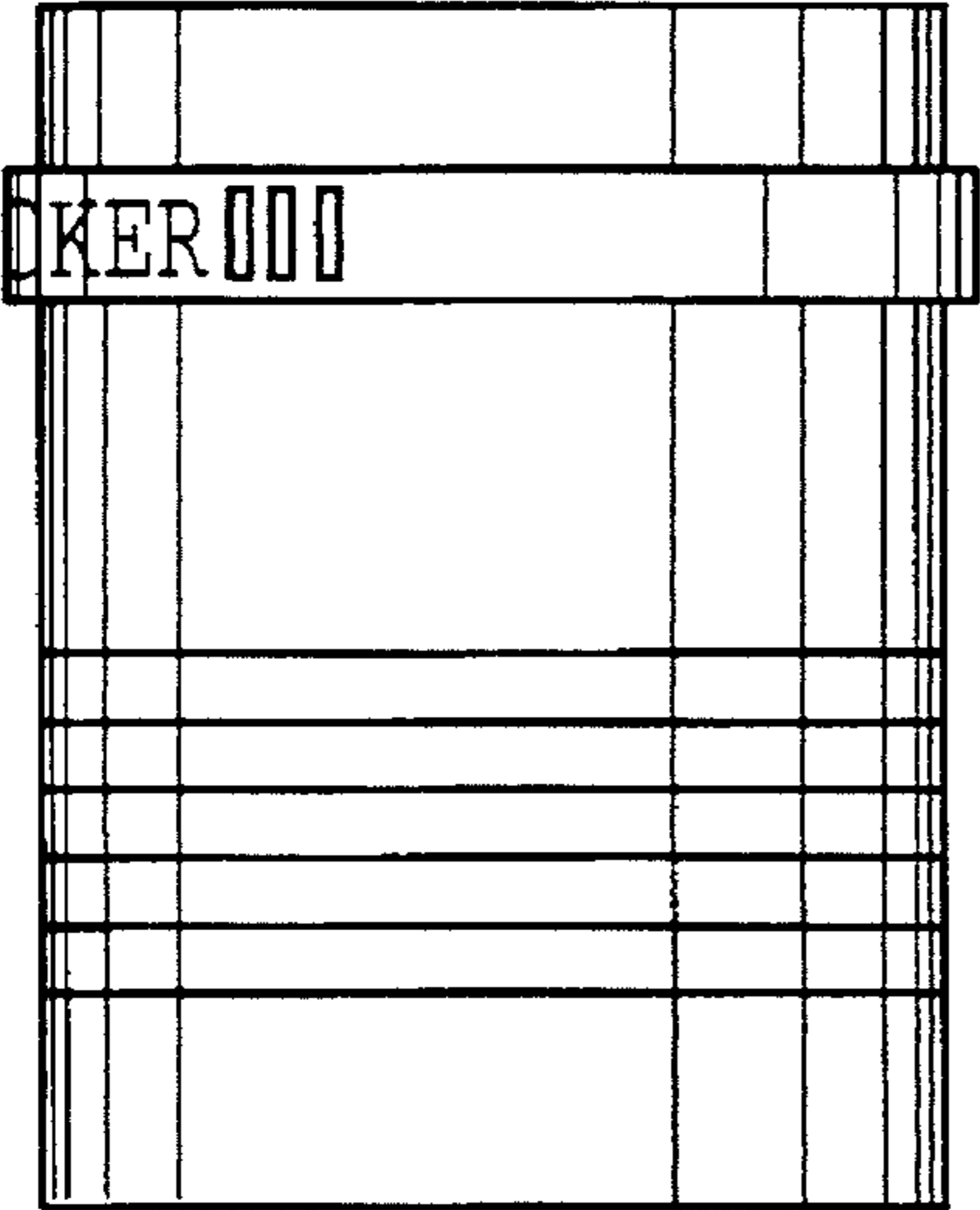


FIG. 3

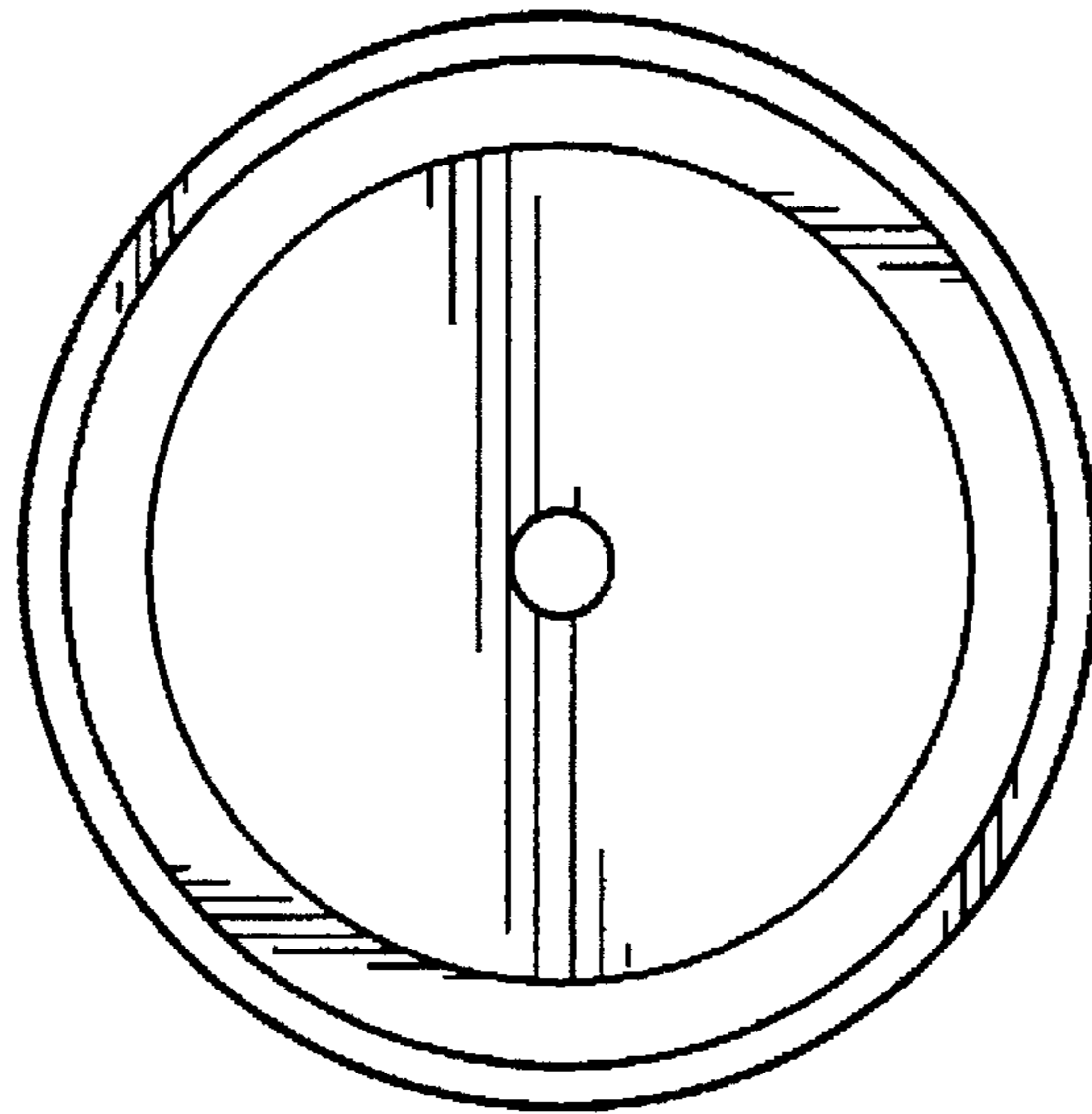


FIG. 5

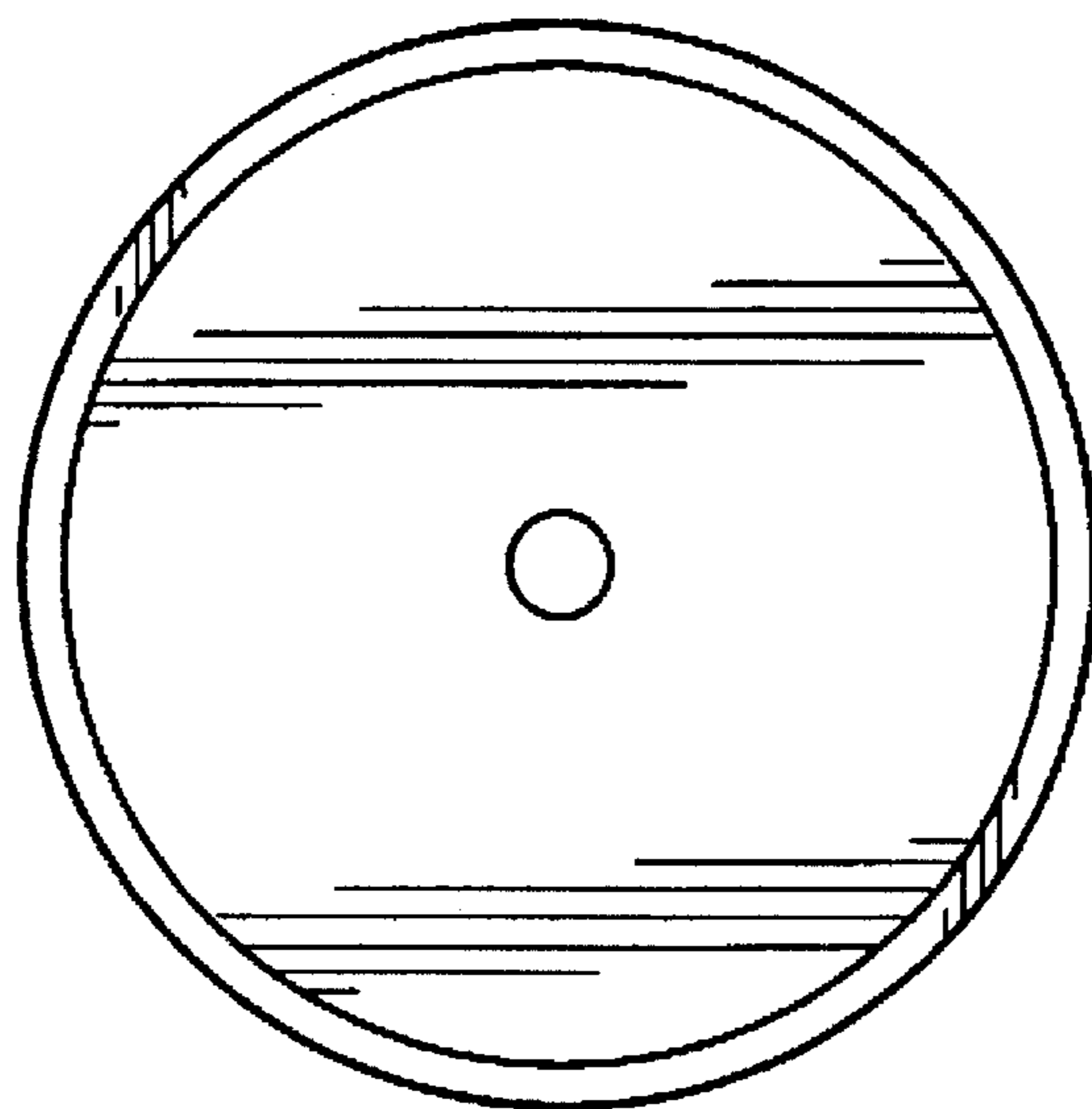


FIG. 6

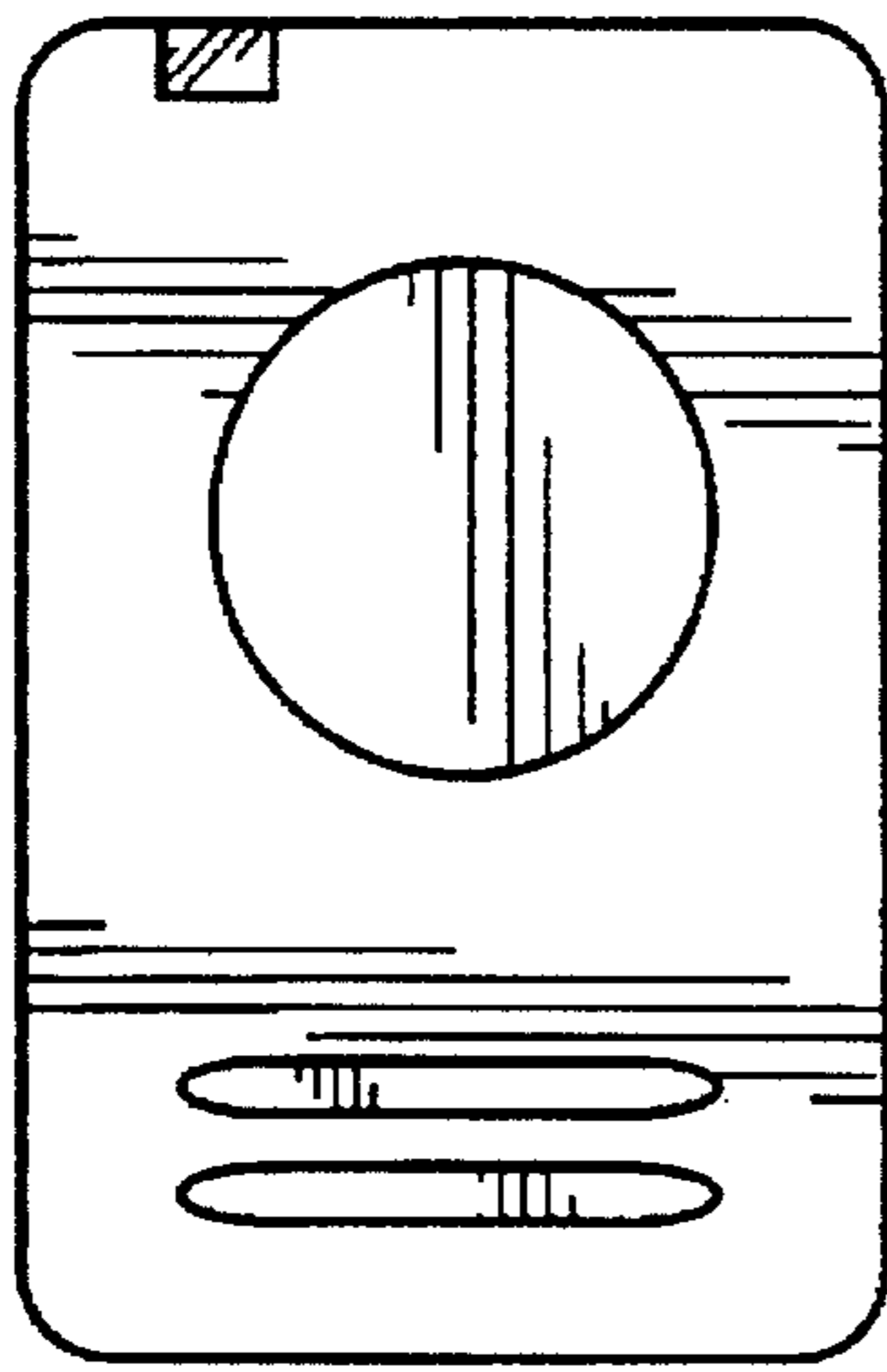


FIG. 7

FIG. 8

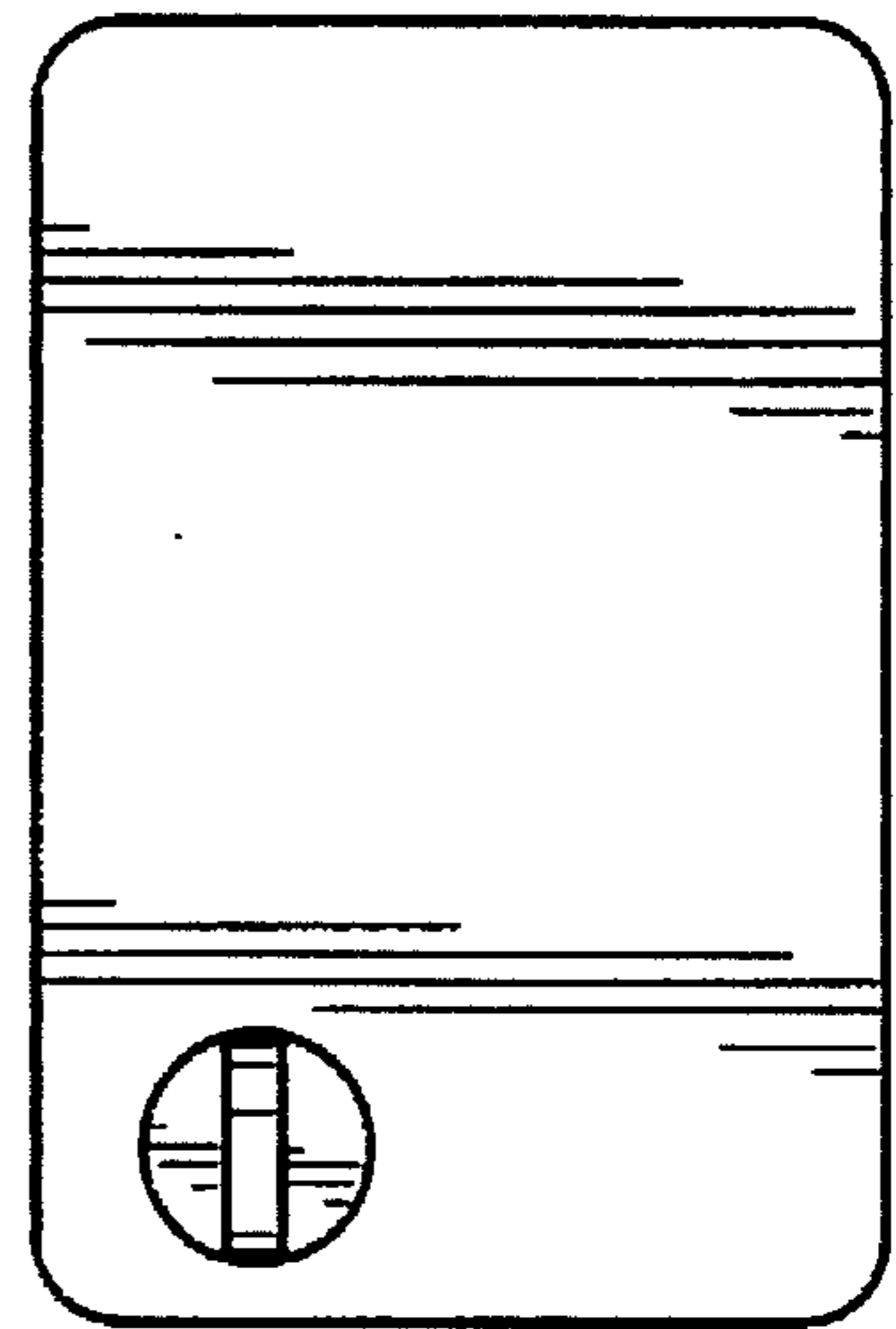


FIG. 9

FIG. 11



FIG. 10

