



US00D383073S

United States Patent [19]

[11] Patent Number: **Des. 383,073**

Miller

[45] Date of Patent: ****Sep. 2, 1997**

[54] **DECORATIVE RECLOSABLE CONTAINER WRISTWATCH**

[76] Inventor: **Joseph A. Miller**, 2A-39 Jeanette St., Danbury, Conn. 06811

[**] Term: **14 Years**

[21] Appl. No.: **59,267**

[22] Filed: **Sep. 6, 1996**

Related U.S. Application Data

[63] Continuation-in-part of Ser. No. 46,309, Nov. 13, 1995, abandoned.

[51] LOC (6) Cl. **10-02**

[52] U.S. Cl. **D10/31; D10/32**

[58] Field of Search D10/1-40, 122-132; 368/276-277, 280-282, 285; D11/3-4, 12, 14, 19-25; 63/1.1, 3, 5.1, 11

[56] References Cited

U.S. PATENT DOCUMENTS

D. 106,272	10/1937	Anderson	D10/31
D. 248,543	7/1978	Fontana	D10/32
D. 250,881	1/1979	Liataud	D10/32
D. 279,765	7/1985	Fontana	D10/32
D. 296,675	7/1988	Jones	D10/31
D. 296,993	8/1988	Givings	D10/18
D. 329,201	9/1992	Barat	D10/31
D. 331,020	11/1992	Ishii	D10/31
D. 337,956	8/1993	Bohlen	D10/32 X
D. 369,751	5/1996	Boyer	D10/31
3,078,364	2/1963	Neugebaur	D26/38
4,077,032	2/1978	Volkman	D10/31

Primary Examiner—Nelson C. Holtje
Attorney, Agent, or Firm—Ware, Fressola, Van Der Sluys & Adolphson

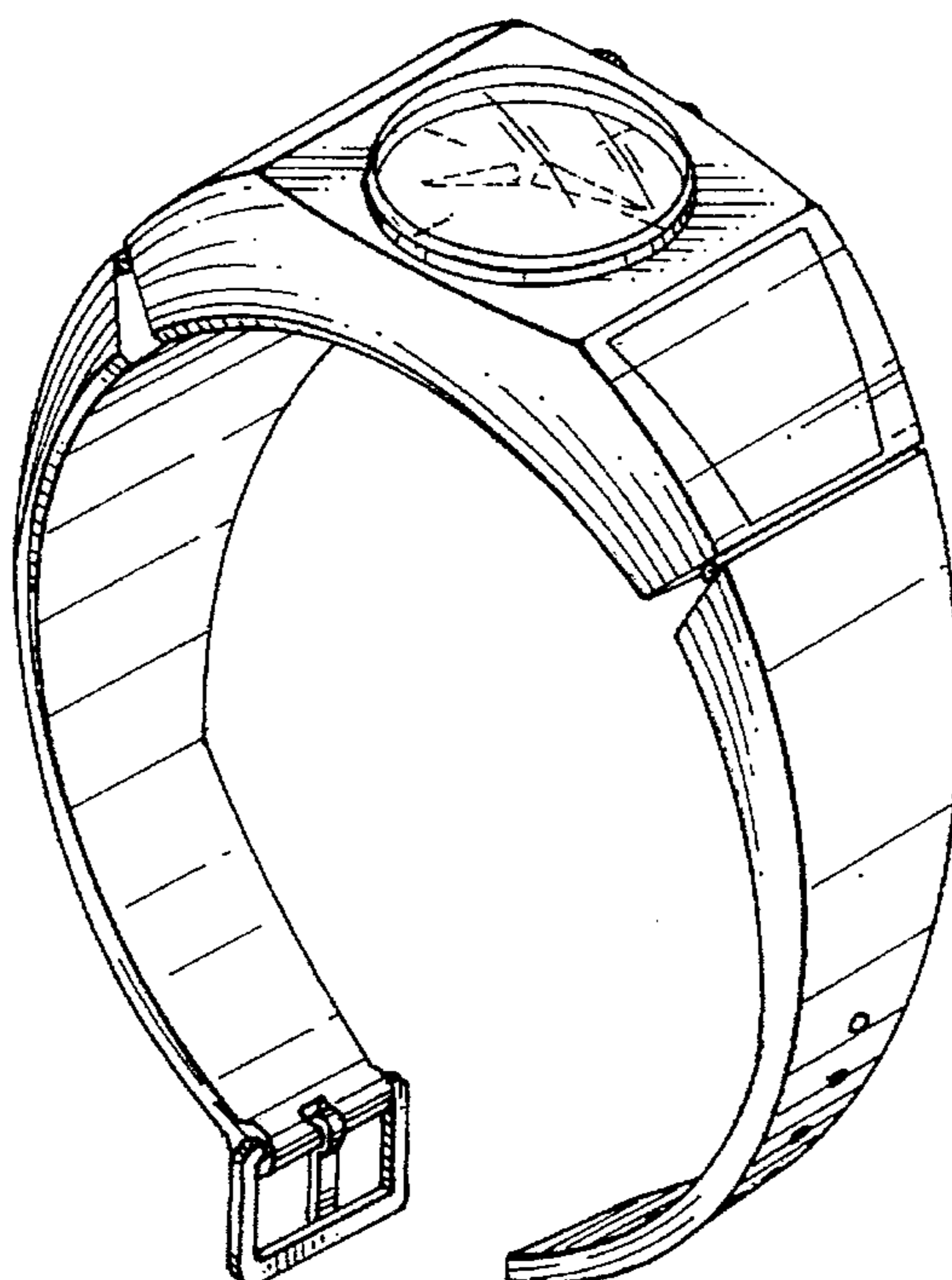
[57] CLAIM

The ornamental design for a decorative reclosable container wristwatch, as shown and described.

DESCRIPTION

FIG. 1 is a perspective view of a first embodiment of a reclosable container wristwatch showing my new design; FIG. 2 is a top plan view thereof; FIG. 3 is a bottom plan view thereof; FIG. 4 is a front elevation view thereof; FIG. 5 is a right side view thereof; FIG. 6 is a rear elevation view thereof; FIG. 7 is a left side view thereof; FIG. 8 is a perspective view of a second embodiment showing my new design; FIG. 9 is a bottom plan view thereof; FIG. 10 is a left side view thereof; FIG. 11 is a right side view thereof; FIG. 12 is a top plan view thereof; FIG. 13 is a rear elevation view thereof; FIG. 14 is a front elevation view thereof; FIG. 15 is a perspective view of a third embodiment of a reclosable container wristwatch showing my new design; FIG. 16 is a top plan view thereof; FIG. 17 is a bottom plan view thereof; FIG. 18 is a rear elevation view thereof; FIG. 19 is a front elevation view thereof; FIG. 20 is a left side view thereof; FIG. 21 is a right side view thereof; FIG. 22 is a greatly enlarged fragmentary plan view thereof, showing decorative detail; and, FIG. 23 is a corresponding greatly enlarged fragmentary rear elevation view thereof, showing the same detail.

1 Claim, 8 Drawing Sheets



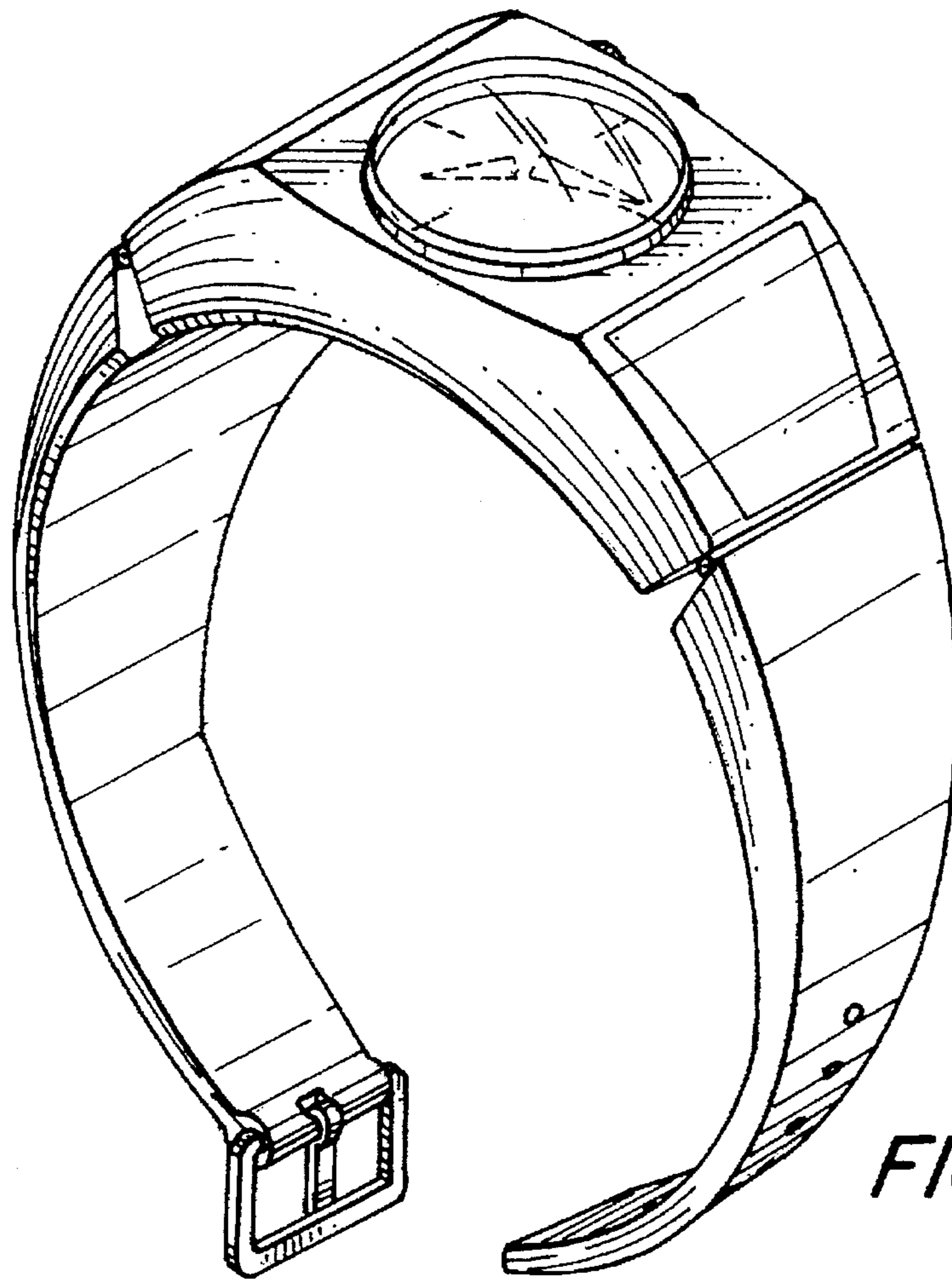


FIG. 1

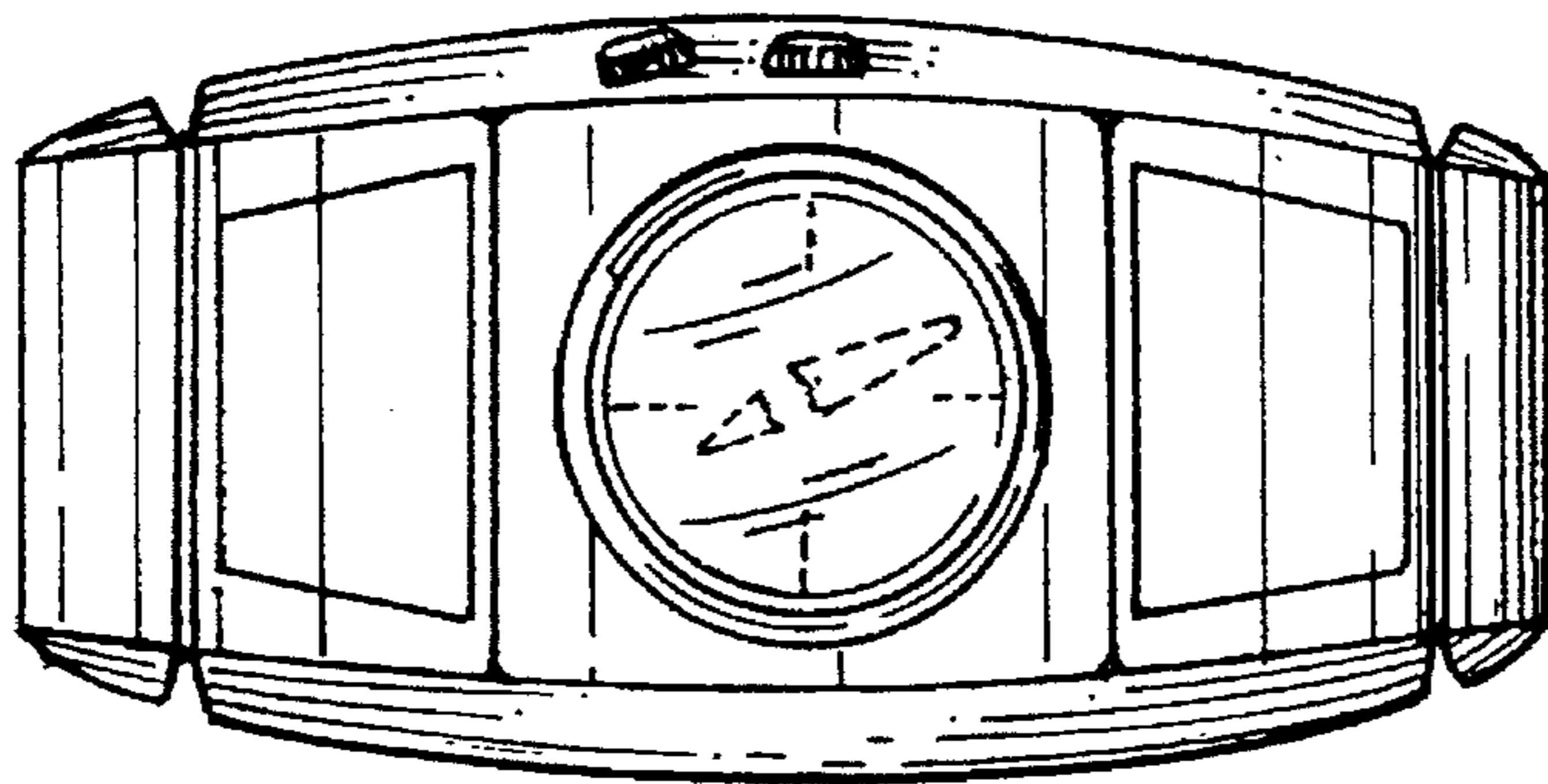


FIG. 2

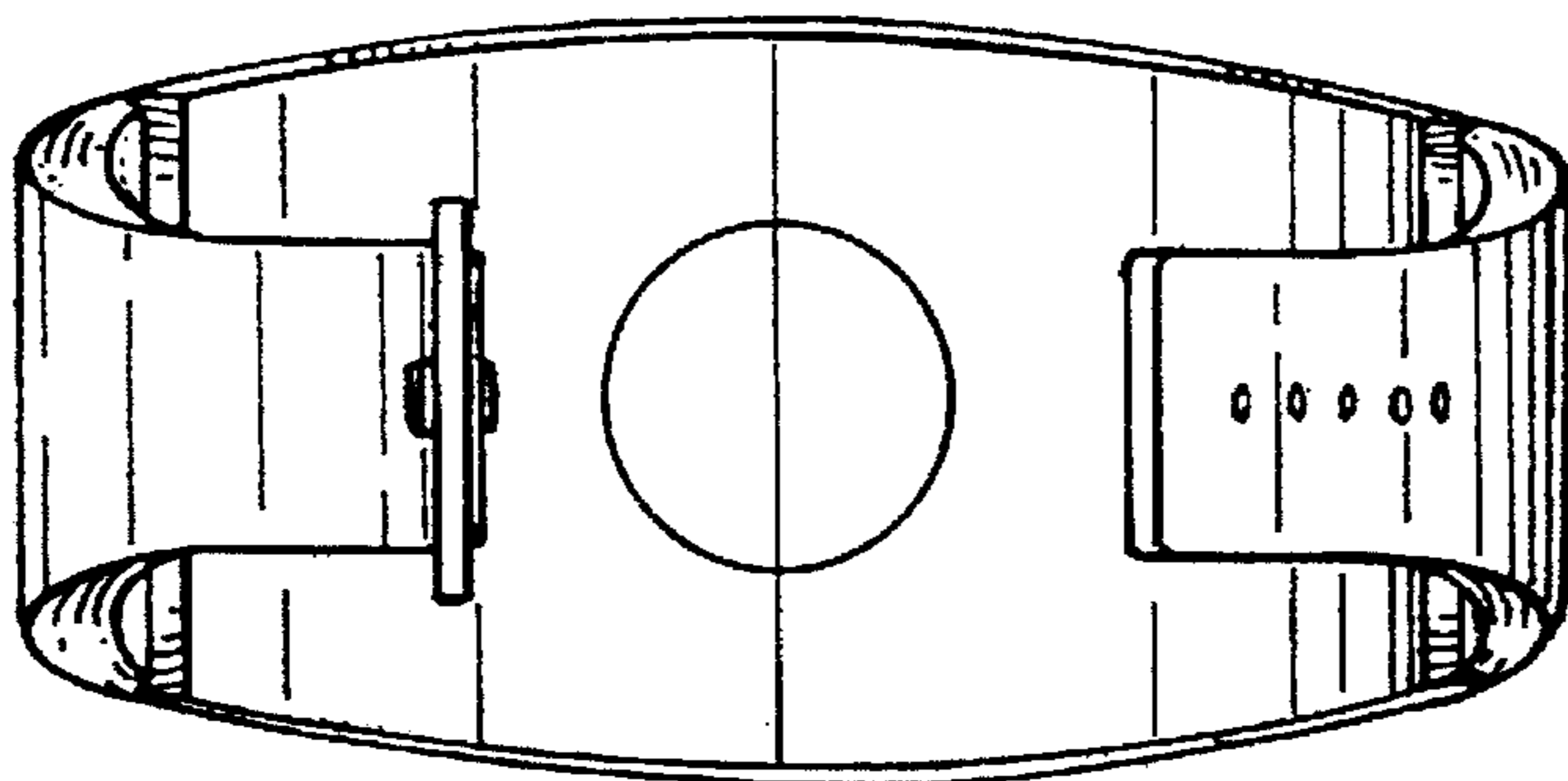


FIG. 3

FIG. 4

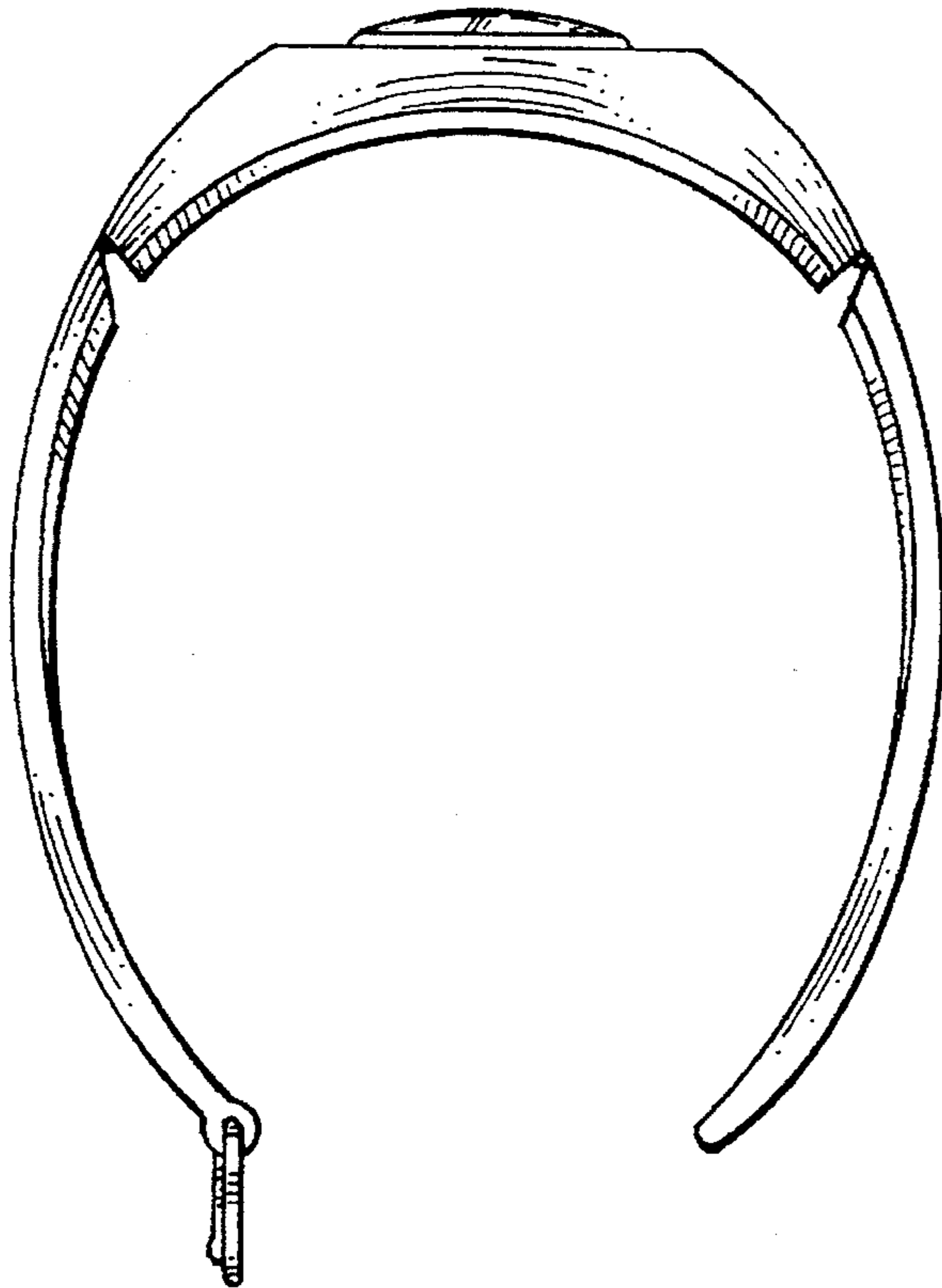


FIG. 5

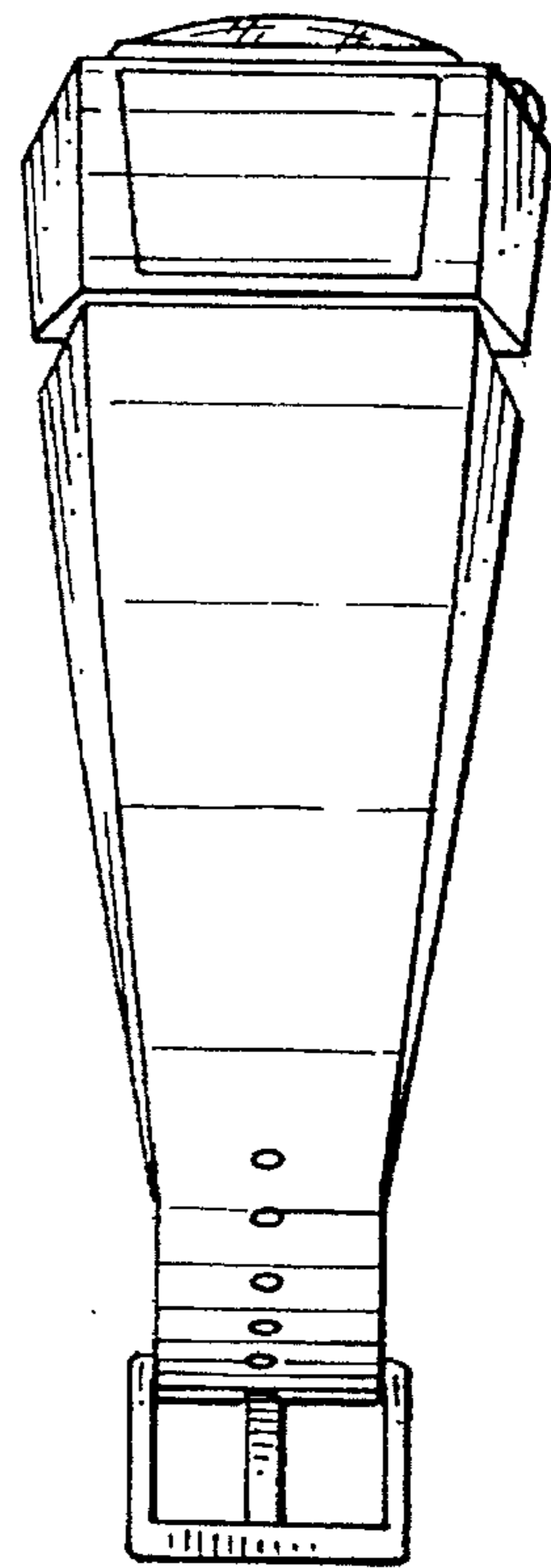


FIG. 6

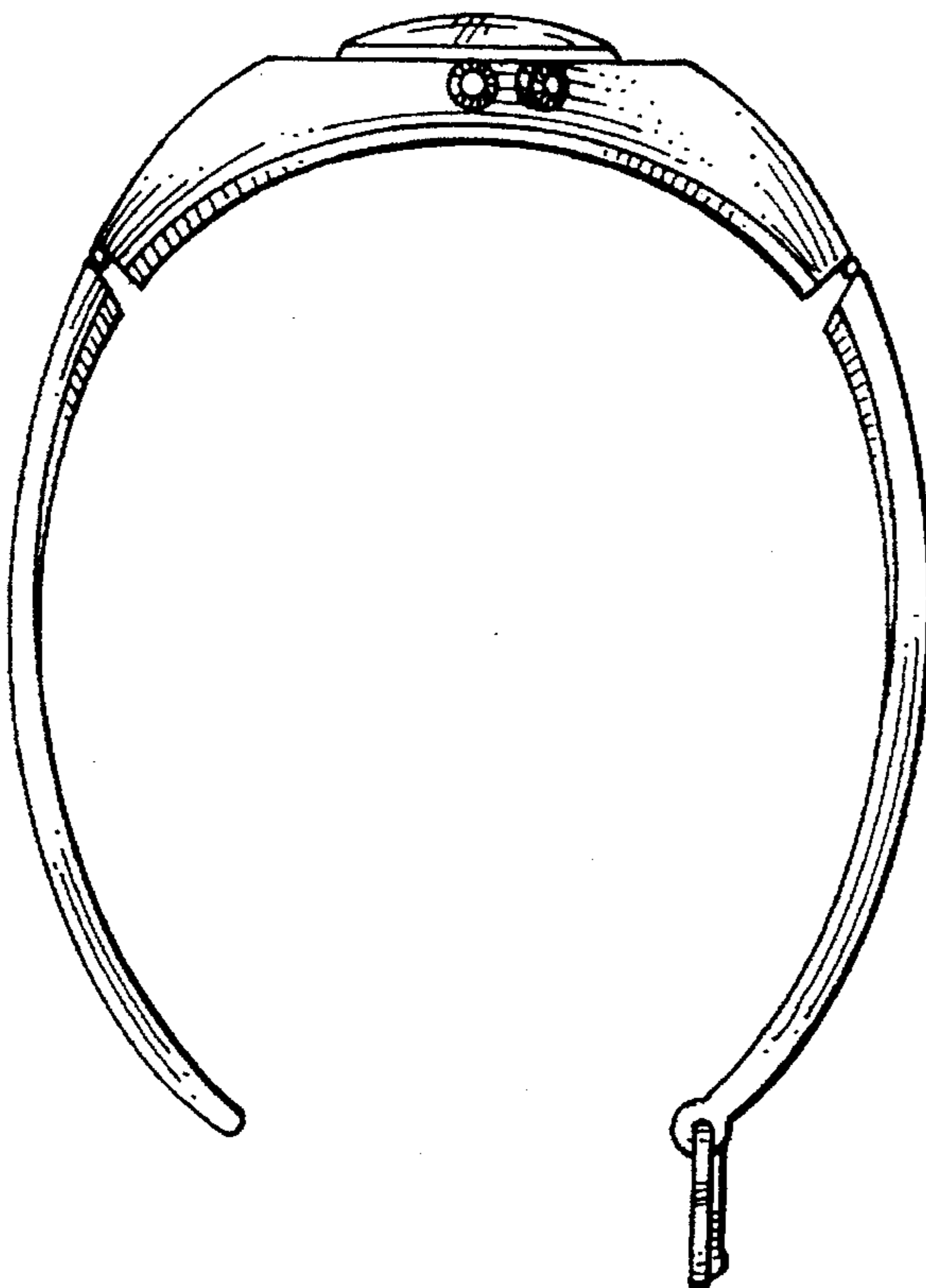
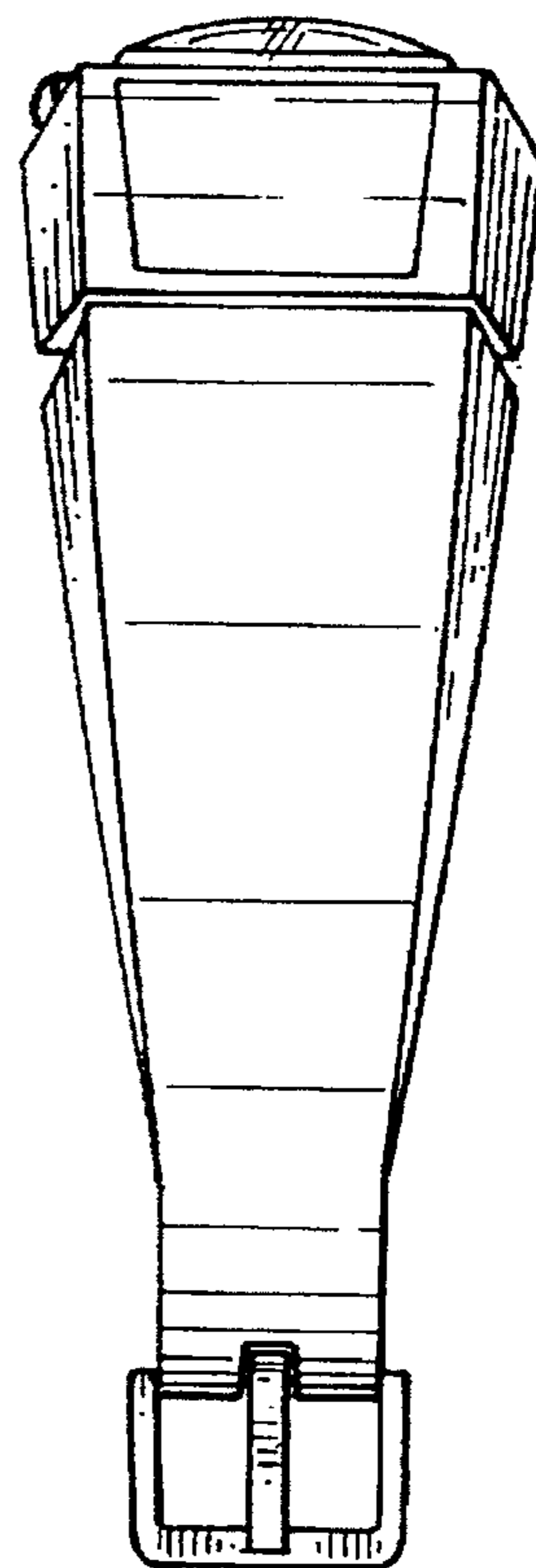
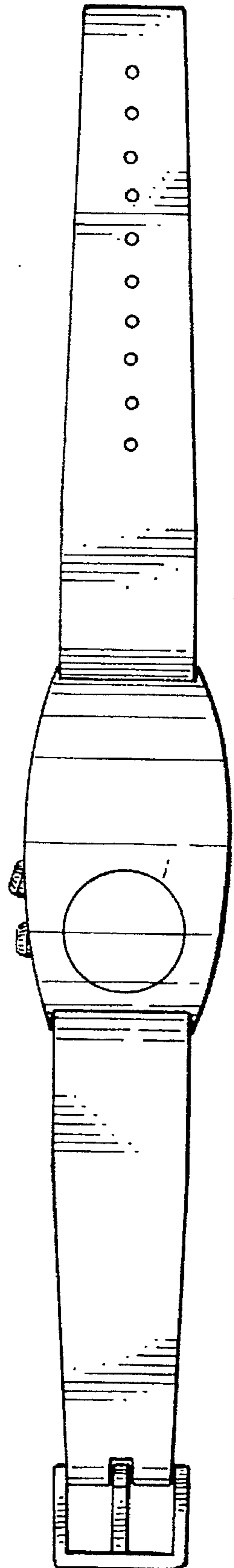
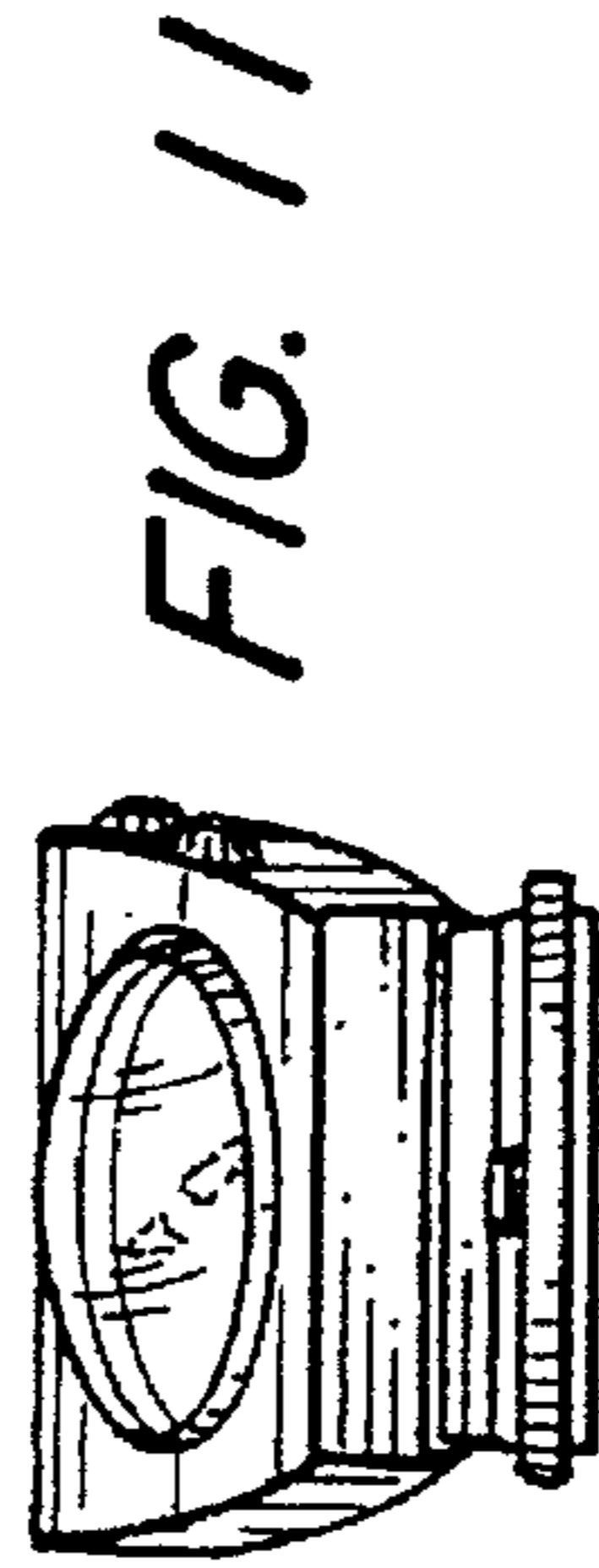
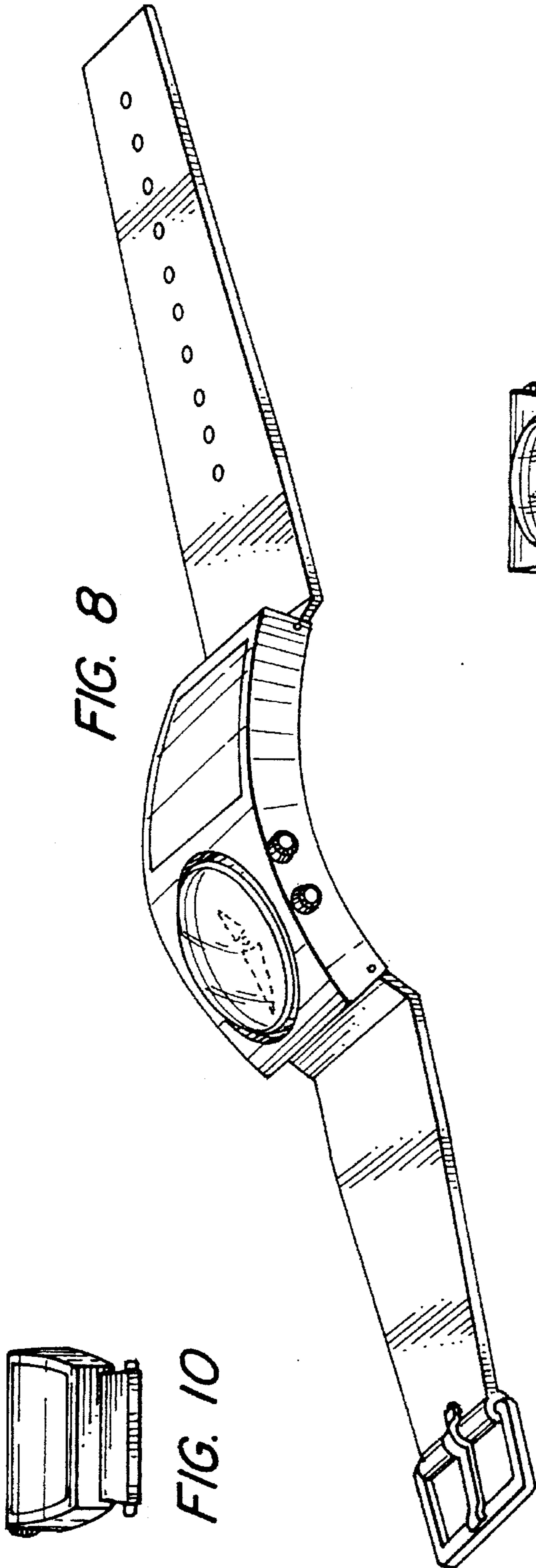


FIG. 7





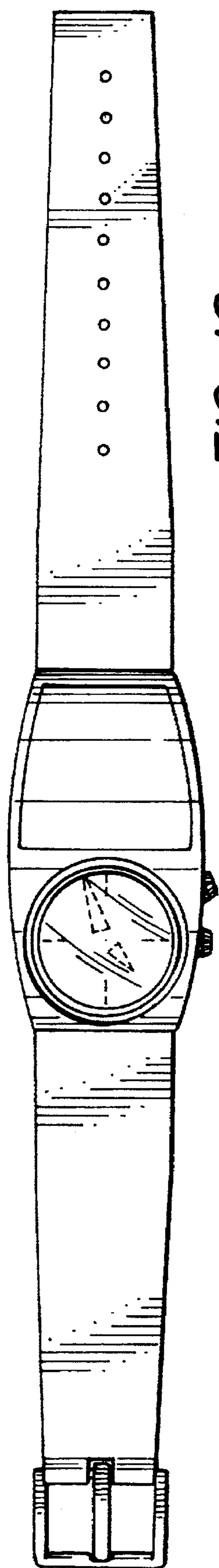


FIG. 12

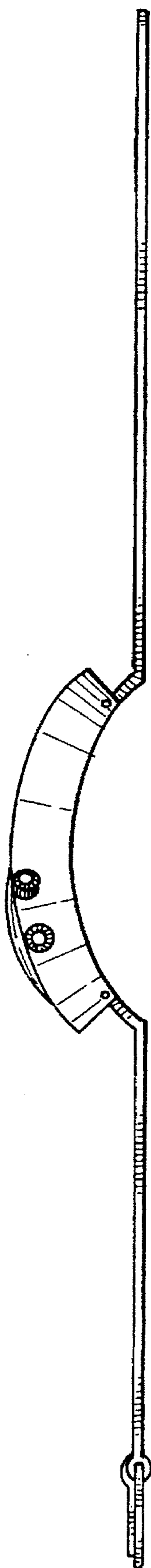


FIG. 13

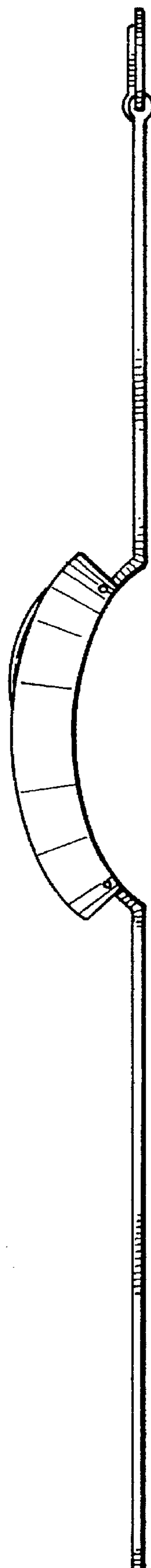
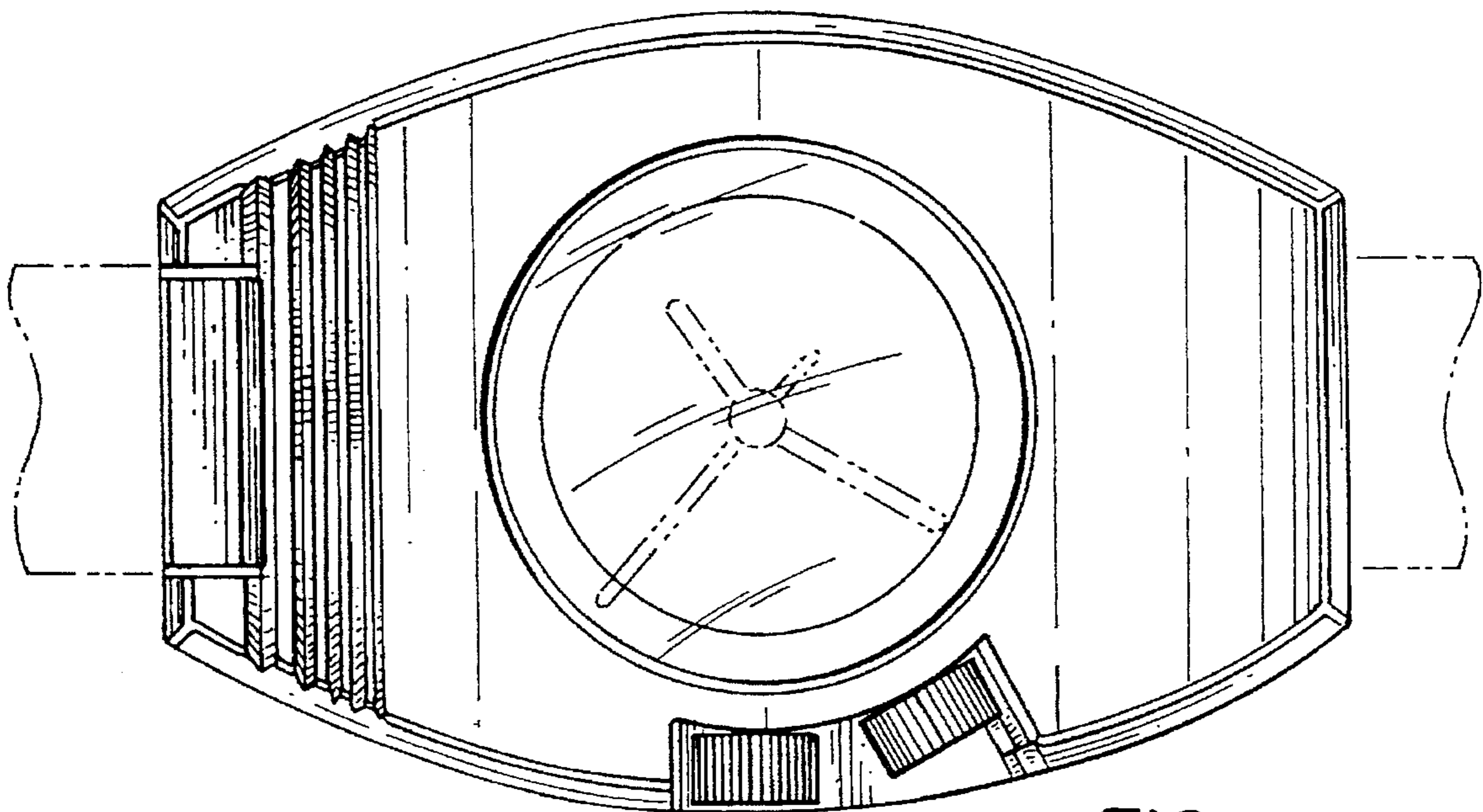
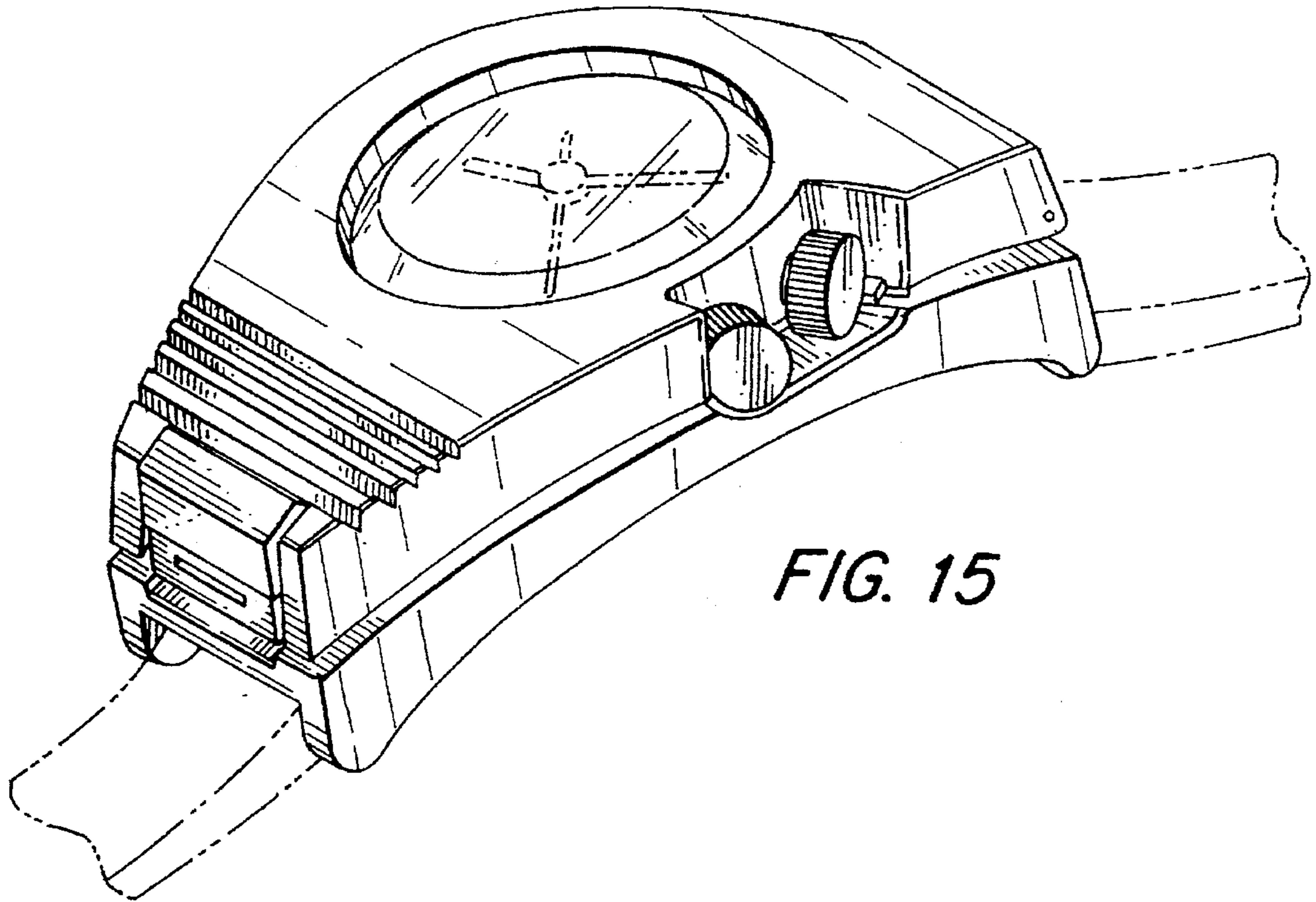


FIG. 14



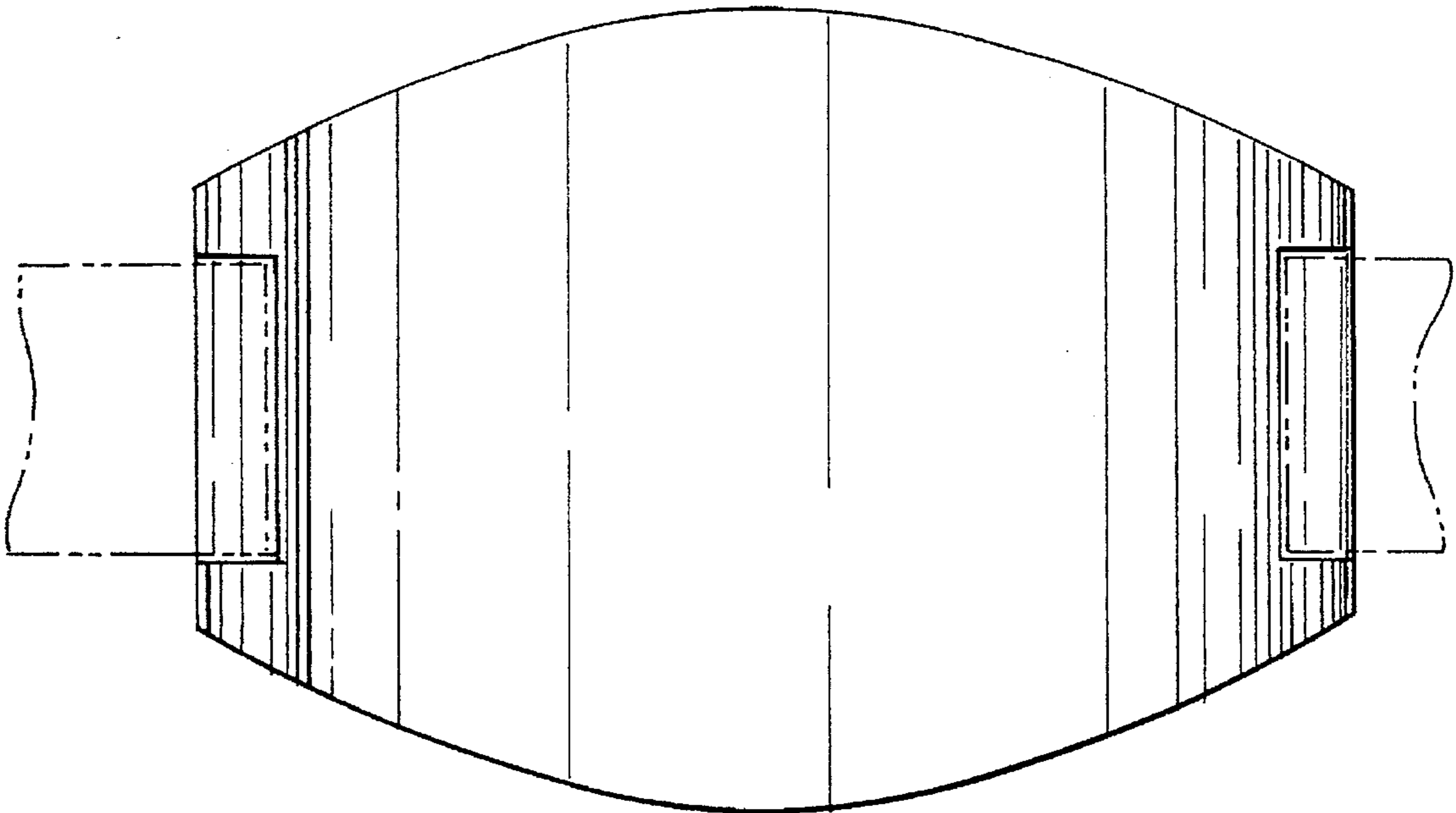


FIG. 17

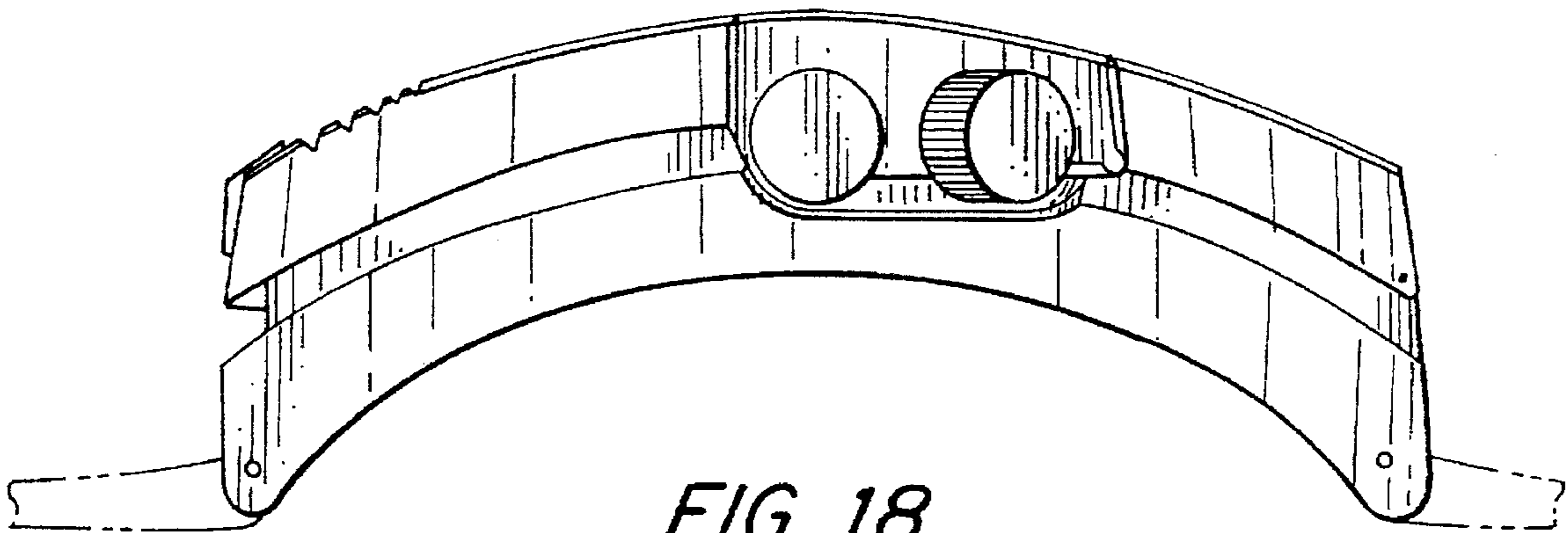


FIG. 18

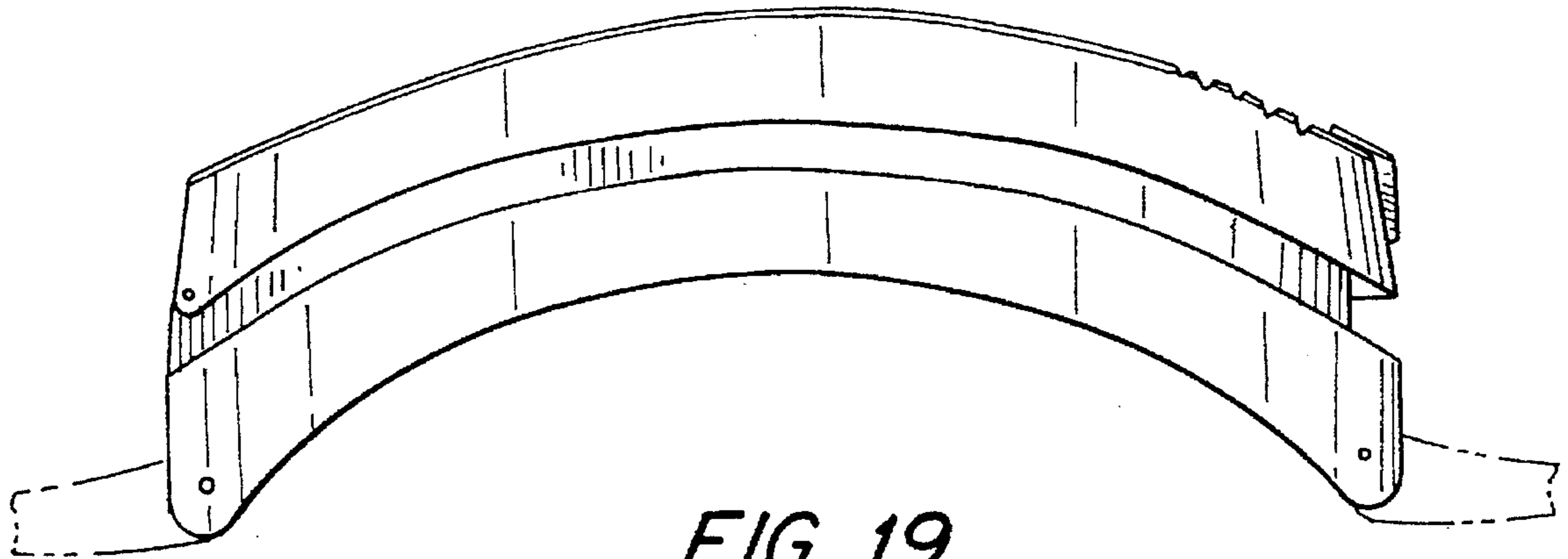


FIG. 19

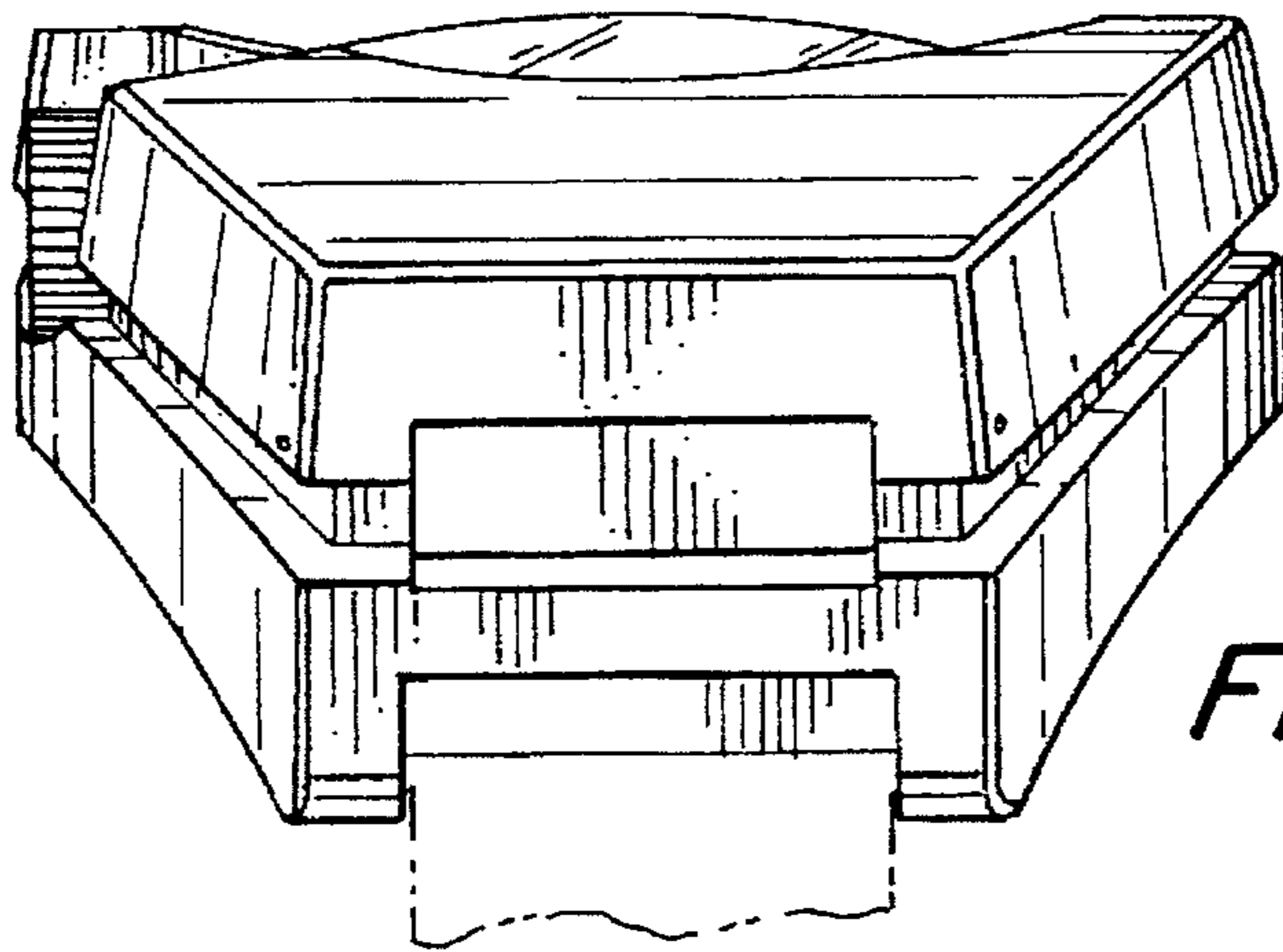


FIG. 20

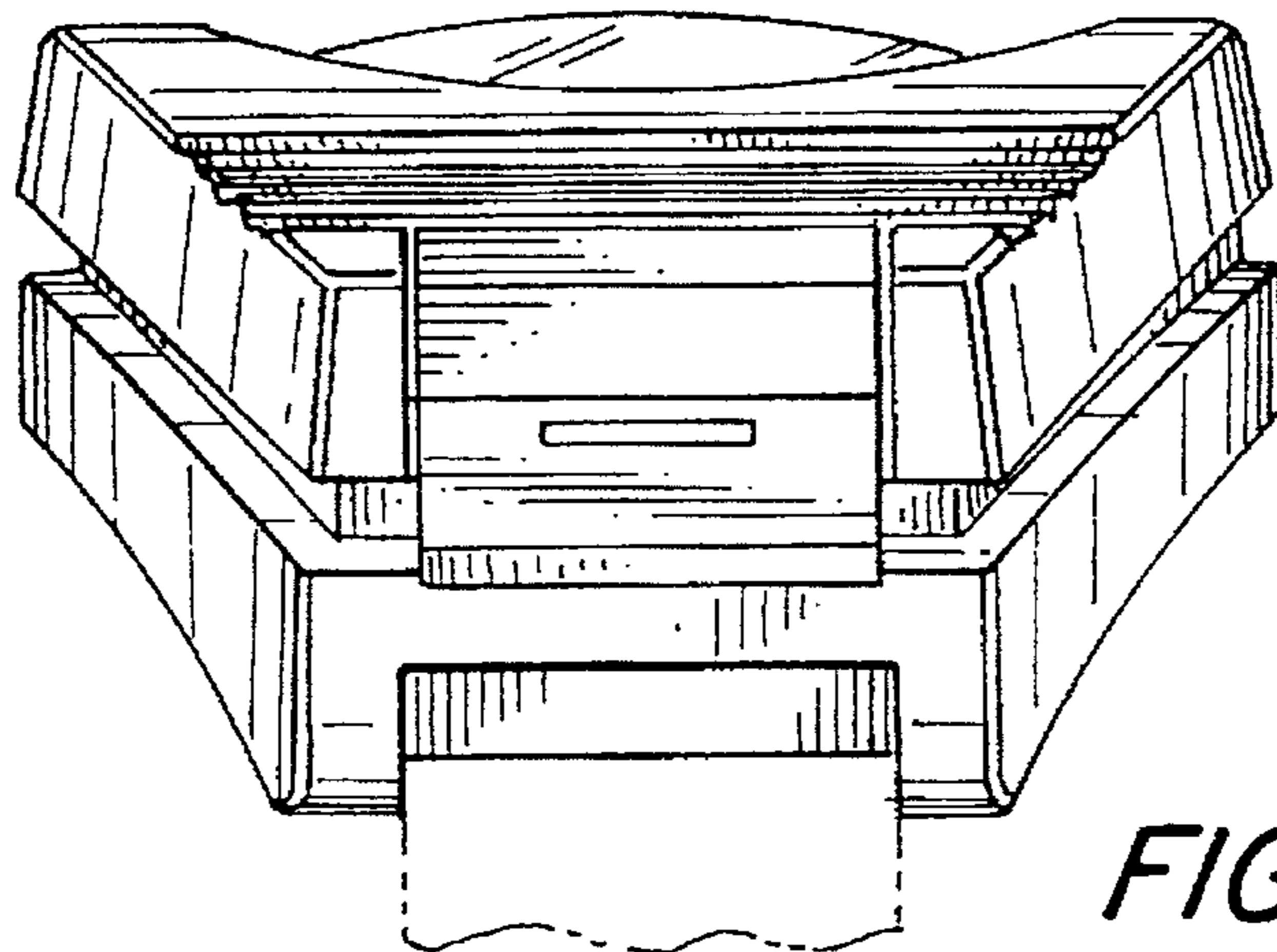


FIG. 21

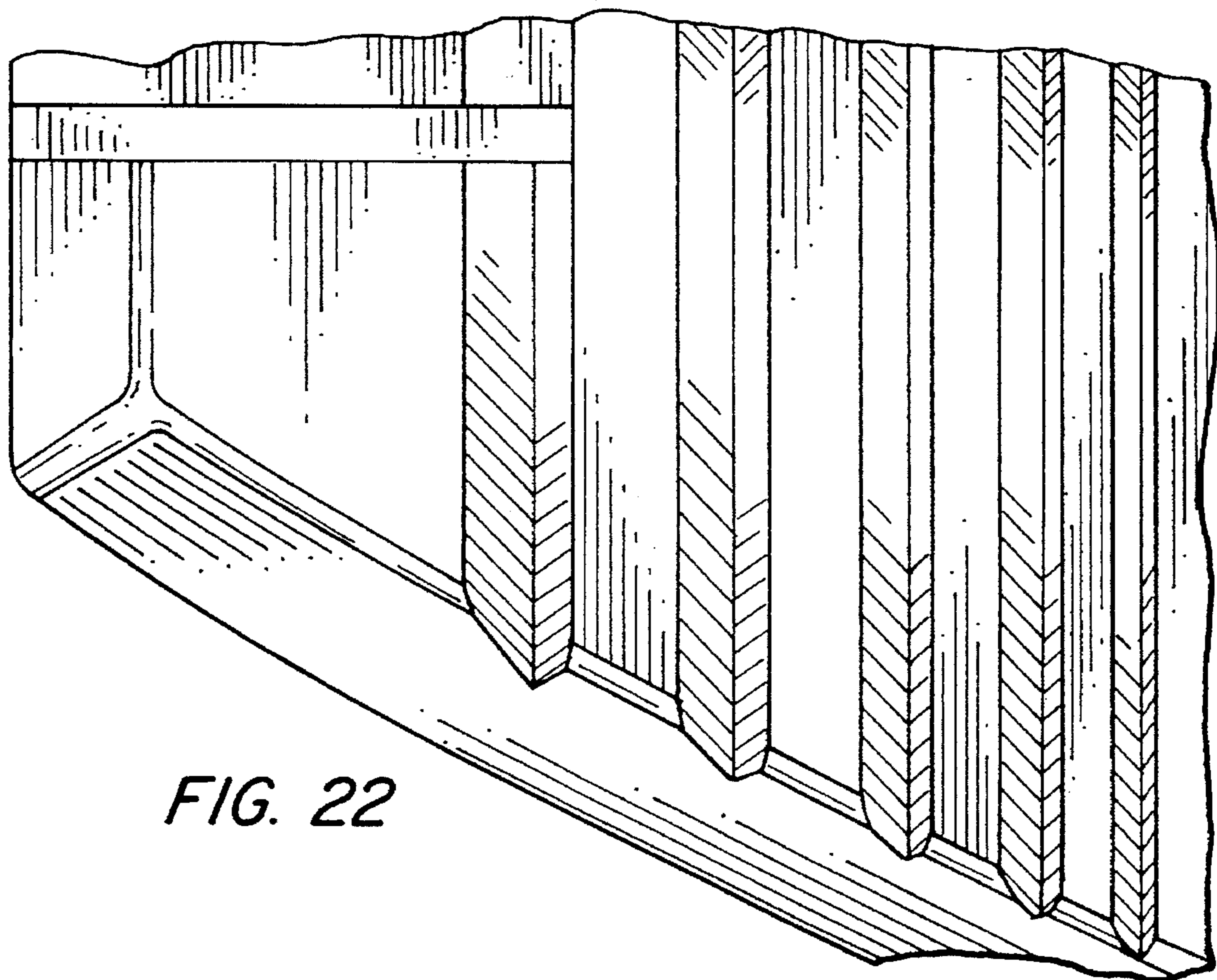


FIG. 22

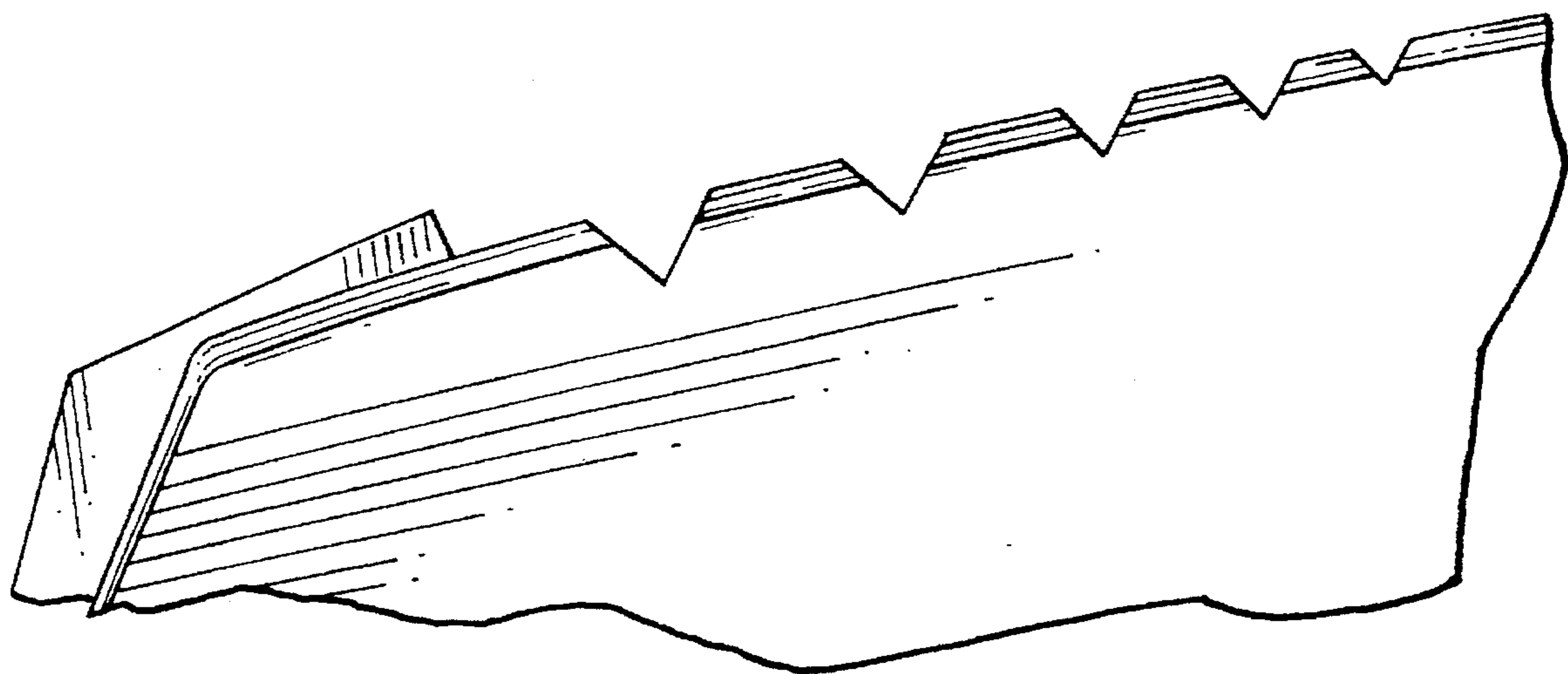


FIG. 23