



US00D383065S

United States Patent [19]
Eastling

[11] **Patent Number:** **Des. 383,065**
[45] **Date of Patent:** ****Sep. 2, 1997**

[54] **OIL CONTAINER SPOUT**

[76] **Inventor:** **David A. Eastling**, 20625 Woodhaven Pl., Deephaven, Minn. 55331

[**] **Term:** **14 Years**

[21] **Appl. No.:** **51,303**

[22] **Filed:** **Mar. 5, 1996**

[51] **LOC (6) Cl.** **09-07**

[52] **U.S. Cl.** **D9/447**

[58] **Field of Search** D9/434, 435, 440, D9/447, 499; D7/700; 222/567, 568

[56] **References Cited**

U.S. PATENT DOCUMENTS

D. 327,847	7/1992	Willems et al.	D9/434	X
383,840	5/1888	Vogel	222/567	
884,761	4/1908	Richard	D9/447	X
919,429	4/1909	Granda	222/567	
3,459,344	8/1969	Mackey	222/567	
4,382,530	5/1983	Calisto	222/567	
5,065,913	11/1991	Glasener	222/567	X

Primary Examiner—James Gandy
Assistant Examiner—Cathron B. Matta
Attorney, Agent, or Firm—Palmatier, Sjoquist, Helget & Voigt, P.A.

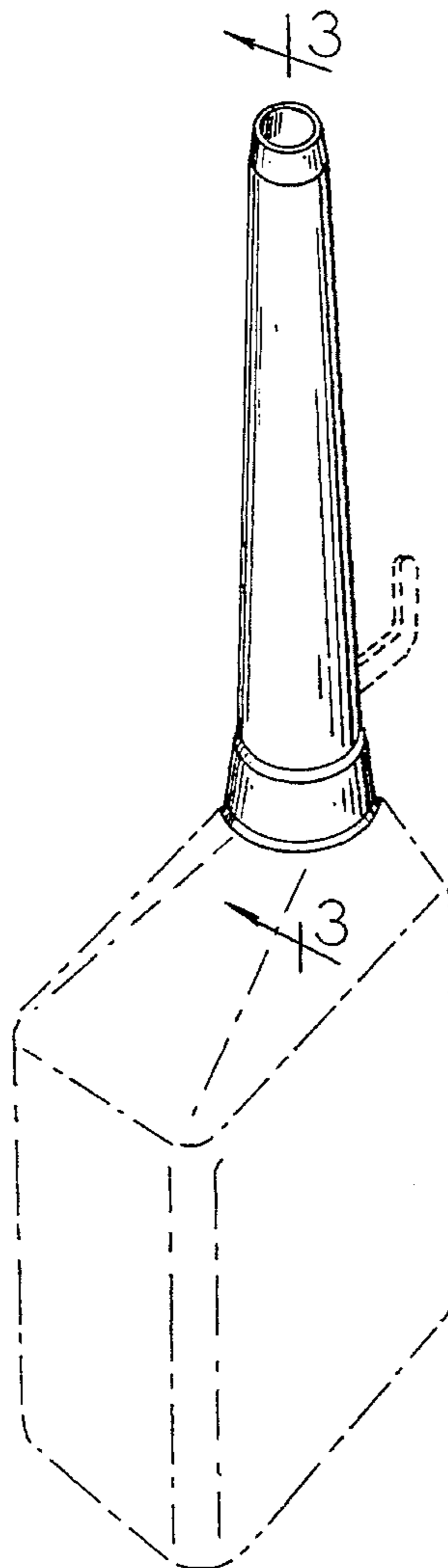
[57] **CLAIM**

The ornamental design for an oil container spout, as shown and described.

DESCRIPTION

FIG. 1 is a perspective view of an oil container spout showing my new design with the container and hanging hook in phantom outline;
FIG. 2 is an elevational view shown at an enlarged scale, which is the same from all sides;
FIG. 3 is a cross sectional view shown at an enlarged scale, taken along lines 3—3 of FIG. 1 ;
FIG. 4 is a top plan view shown at an enlarged scale; and, FIG. 5 is a bottom plan view shown at an enlarged scale. The broken line showing of a container and hanging hook is for illustrative purposes only and forms no part of the claimed design.

1 Claim, 1 Drawing Sheet



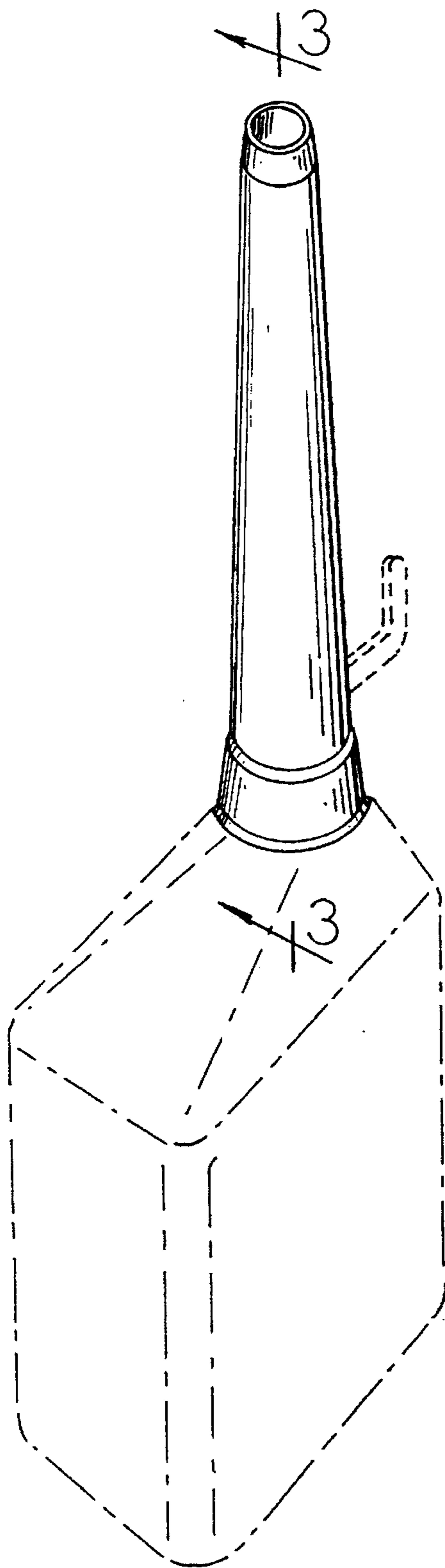


Fig. 1.

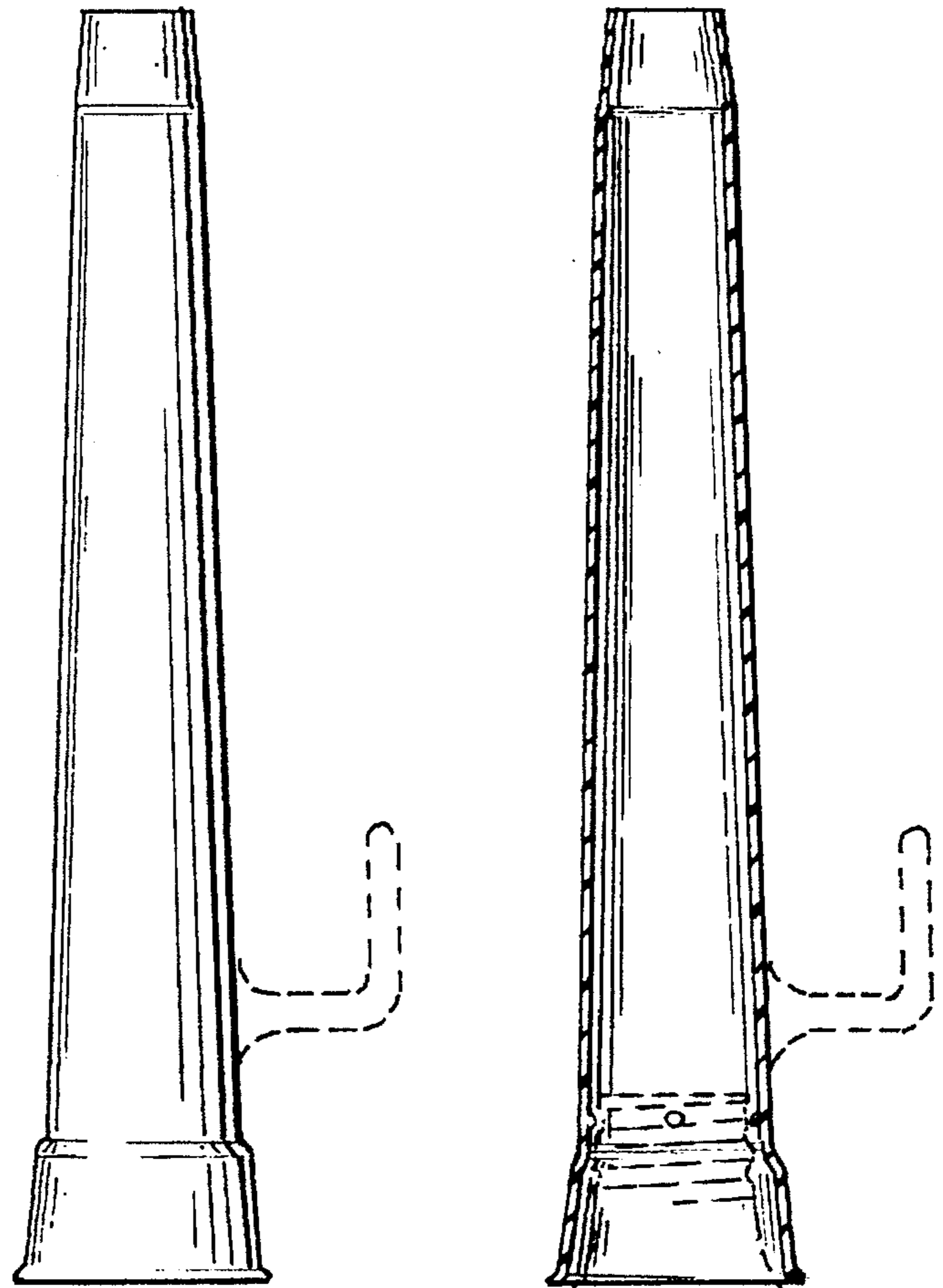


Fig. 2. Fig. 3.

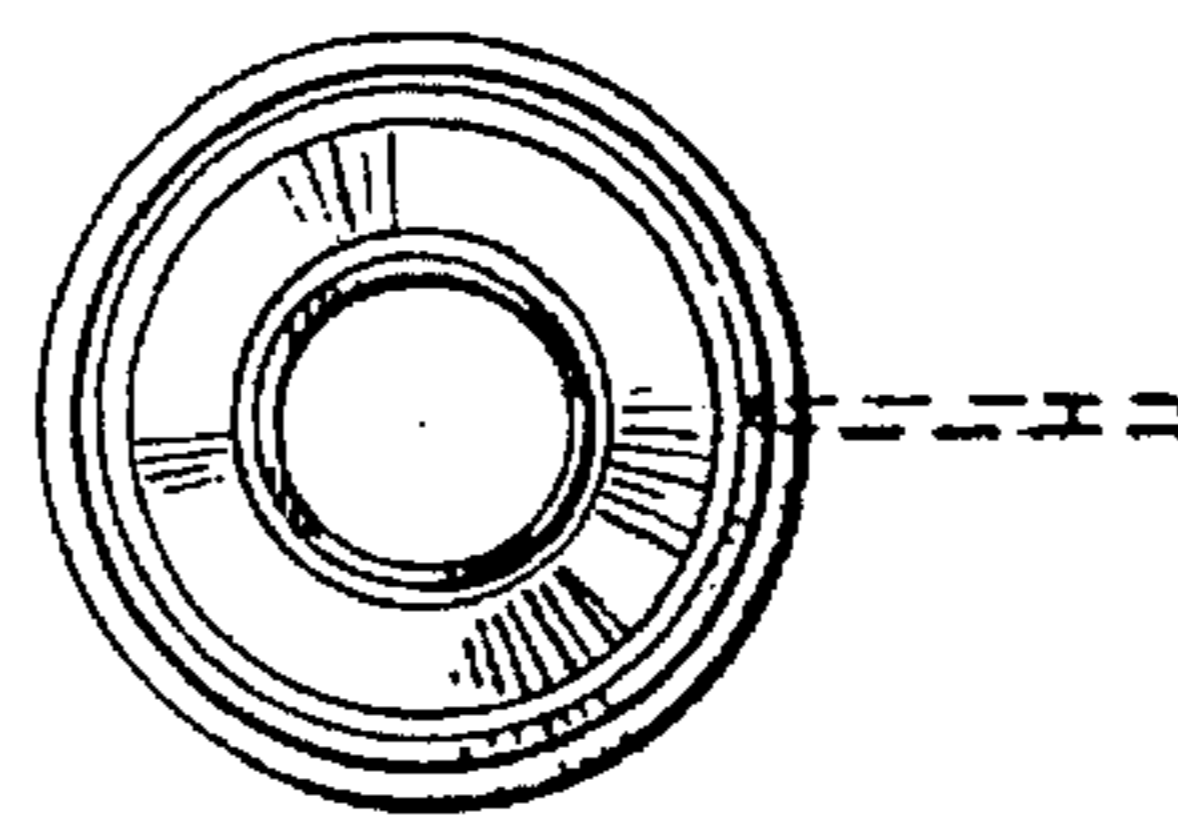


Fig. 4.

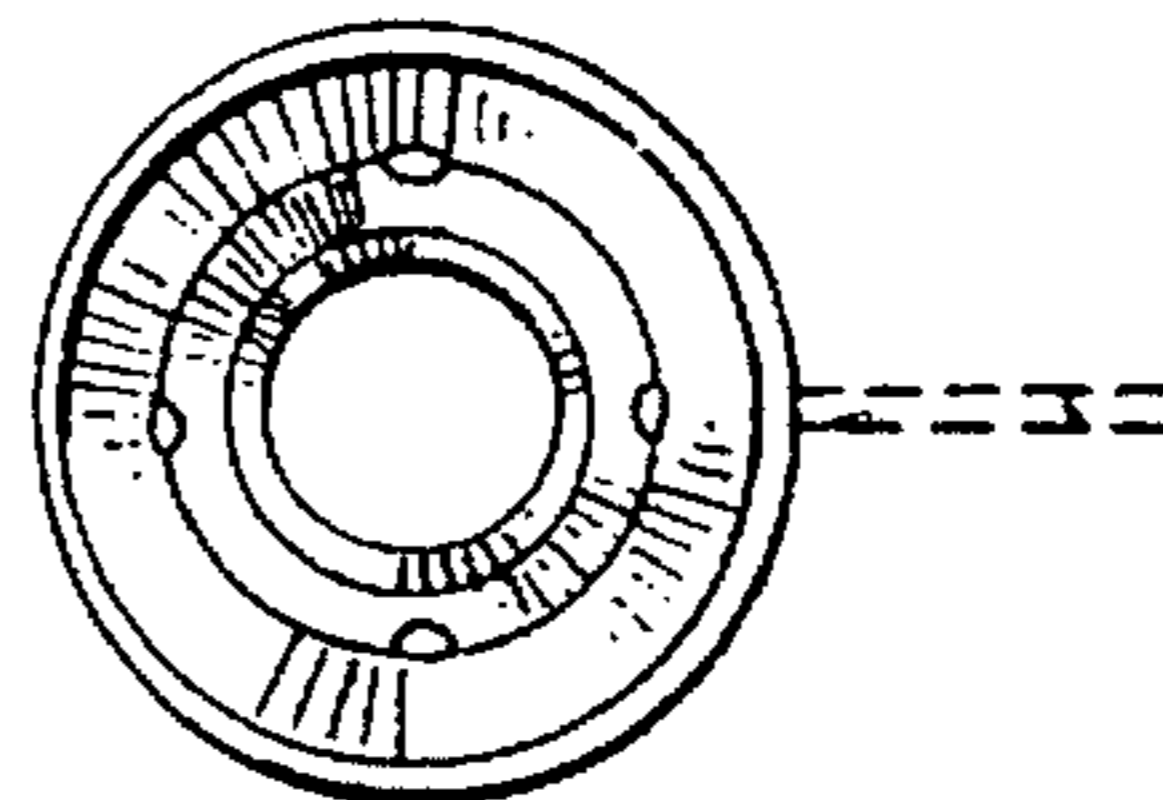


Fig. 5.