



US00D383064S

United States Patent [19]
Tsukikawa

[11] **Patent Number: Des. 383,064**

[45] **Date of Patent: **Sep. 2, 1997**

[54] **CONTAINER FOR A TUBE**

[76] **Inventor: Yugo Tsukikawa**, 1867 Charoen Nakom Road Sol 55, Klongsam, Bangkok, Thailand

[**] **Term: 14 Years**

[21] **Appl. No.: 42,715**

[22] **Filed: Jul. 27, 1995**

[51] **LOC (6) Cl. 09-07**

[52] **U.S. Cl. D9/432**

[58] **Field of Search** D9/414, 420-424, D9/432, 433, 436; 206/277, 457, 472, 772, 775; 229/122, 125.125

[56] **References Cited**

U.S. PATENT DOCUMENTS

4,002,355	1/1977	Sendor	206/472	X
4,488,644	12/1984	Wynalda	229/122	X
5,103,978	4/1992	Secor	206/459.5	X
5,190,295	3/1993	Togni	206/472	X

FOREIGN PATENT DOCUMENTS

1037831	9/1953	France	229/122	
368678	3/1932	United Kingdom	229/125.125	

Primary Examiner—Sandra L. Morris
Assistant Examiner—Nanda Bondade
Attorney, Agent, or Firm—Brinks Hofer Gilson & Lione

[57] **CLAIM**

The ornamental design for a container for a tube, as shown and described.

DESCRIPTION

FIG. 1 is a perspective view of a container for a tube showing my new design;

FIG. 2 is a right side view thereof, the left side view being identical;

FIG. 3 is a top view thereof;

FIG. 4 is a front view thereof;

FIG. 5 is a back view thereof;

FIG. 6 is an exploded view thereof, shown with the container removed from its case for clarity of illustration; and,

FIG. 7 is an exploded view thereof, shown with the container removed from its case and lids open for clarity of illustration.

1 Claim, 2 Drawing Sheets

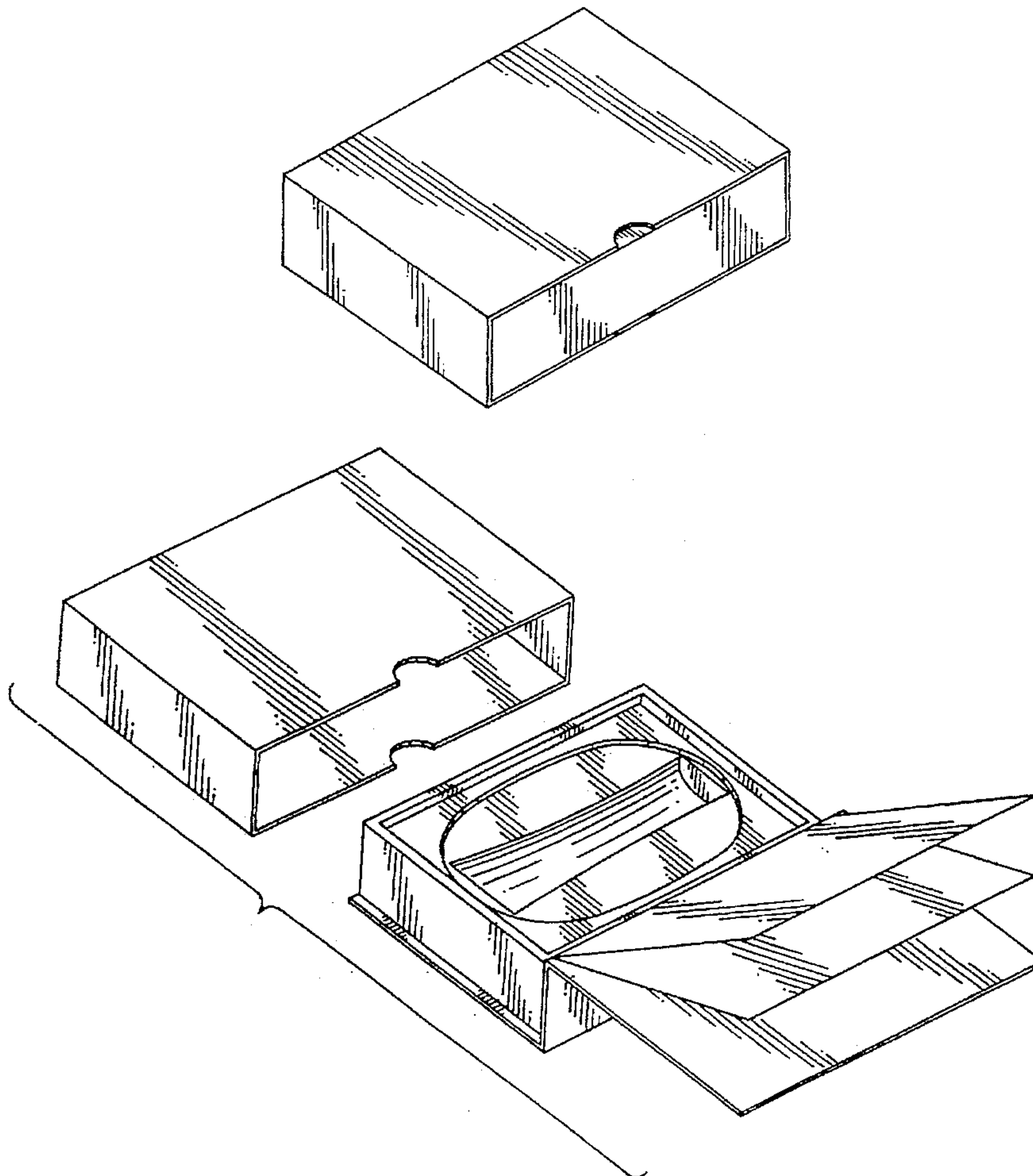


FIG. 1

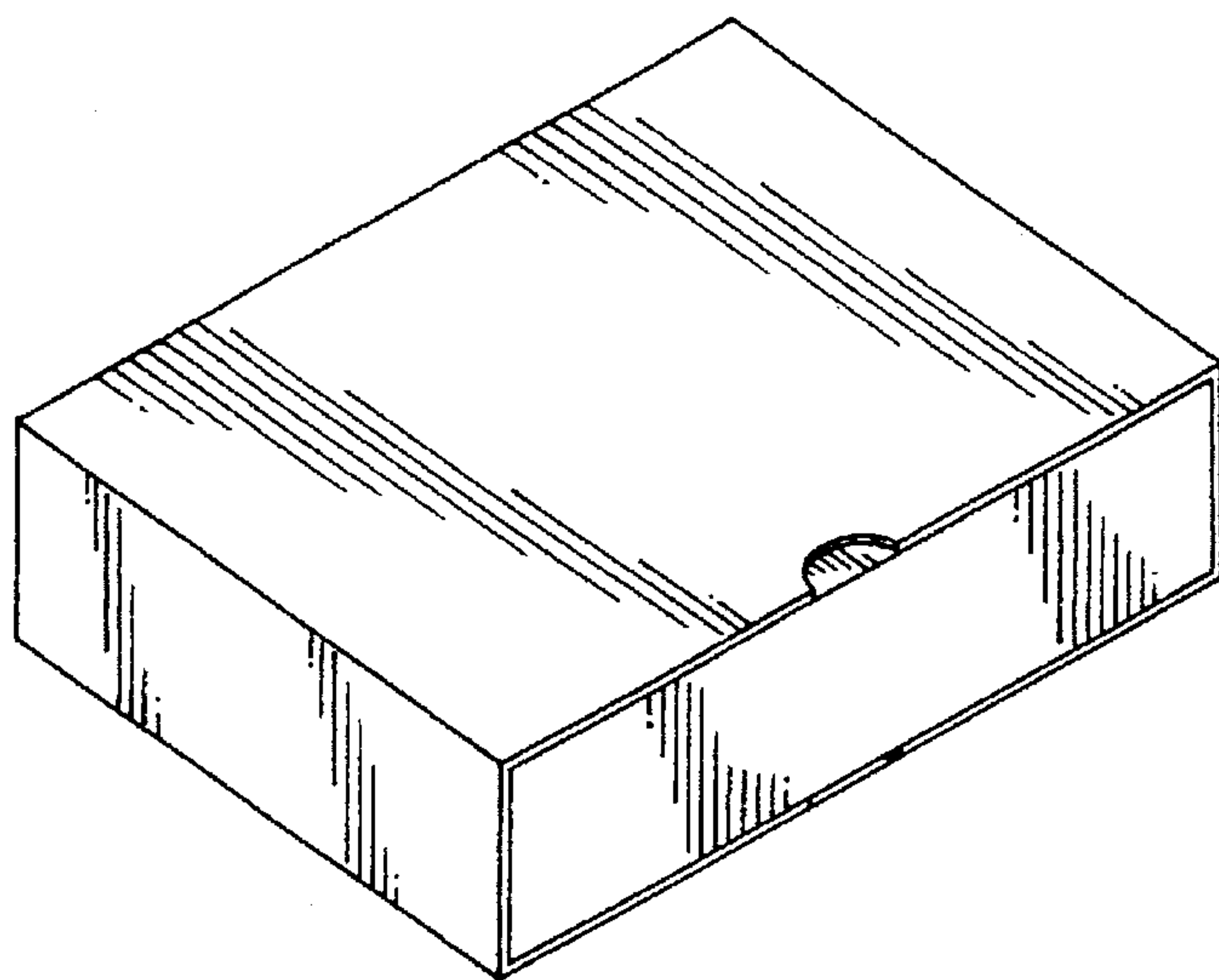


FIG. 2



FIG. 3

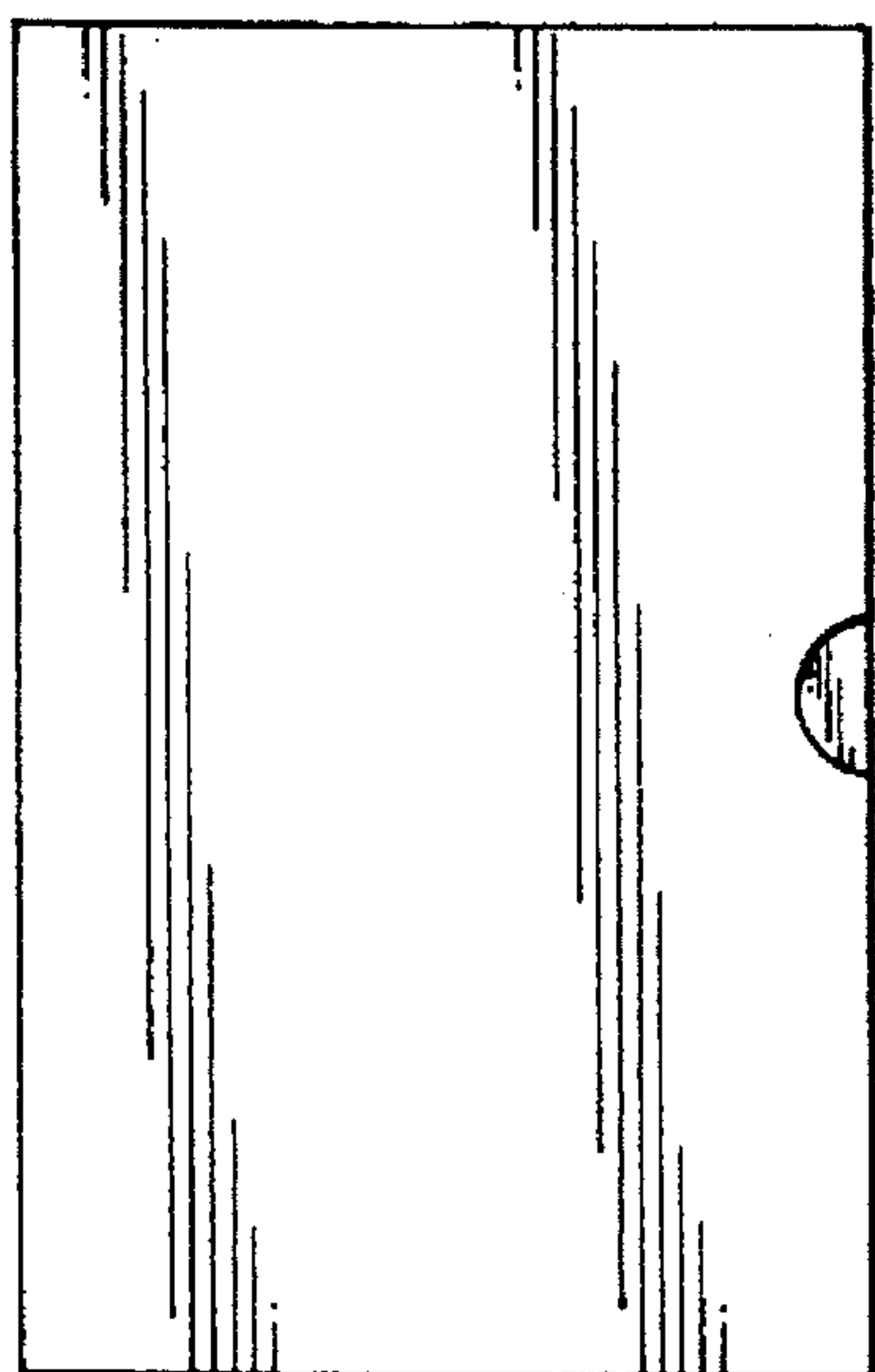


FIG. 4

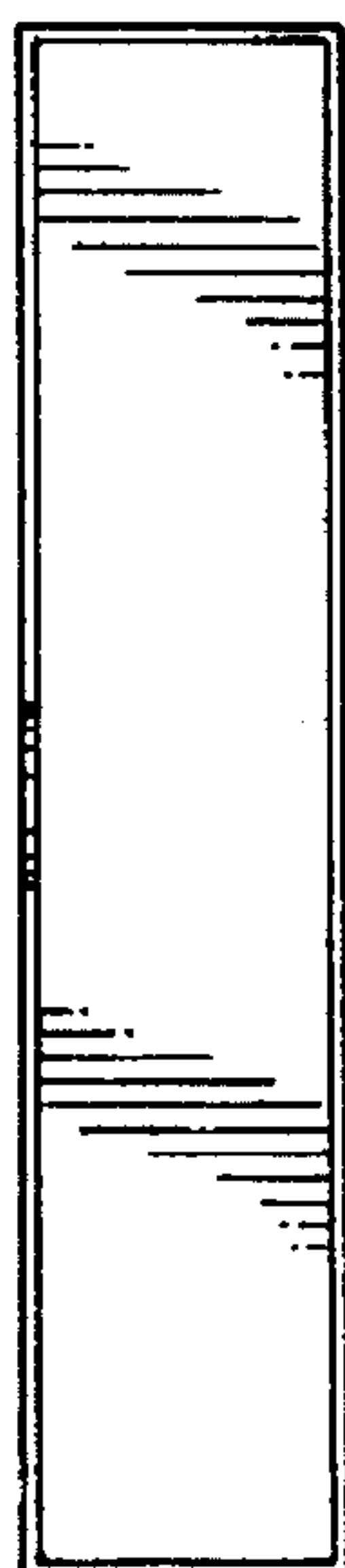


FIG. 5



FIG. 6

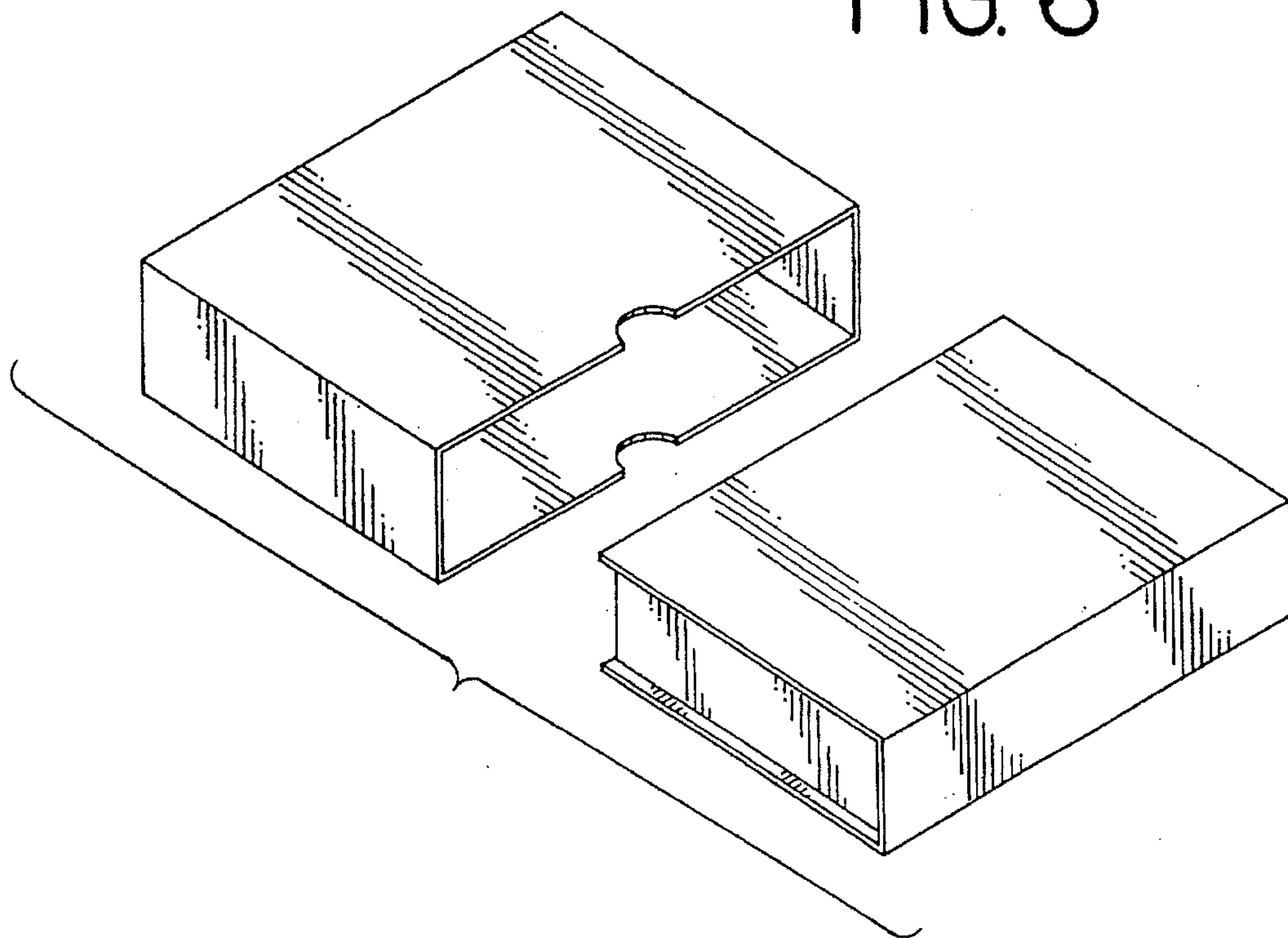


FIG. 7

