



US00D383063S

United States Patent [19]
Koenig

[11] **Patent Number: Des. 383,063**

[45] **Date of Patent: **Sep. 2, 1997**

[54] **CONTAINER WITH COVER**

[76] Inventor: **Gerald L. Koenig**, 7234 Ogelsby Ave.,
Los Angeles, Calif. 90045-1355

[**] Term: **14 Years**

[21] Appl. No.: **4,642**

[22] Filed: **Feb. 10, 1993**

[51] **LOC (6) Cl.** **09-07**

[52] **U.S. Cl.** **D9/432**

[58] **Field of Search** D9/414, 432, 424,
D9/346, 433; 206/4.5, 434, 594, 586; 229/87.18,
92.7, 800, 922, 923, 927, 23 BT; 220/1.5,
8, 351, 376, 380, 639

[56] **References Cited**

U.S. PATENT DOCUMENTS

D. 9,110	2/1876	Chandler	D9/432
D. 285,178	8/1986	Ewry	D9/432
414,490	11/1889	Bretzfield	273/148 A
2,284,294	5/1942	Petrusak	206/1.5
3,215,262	11/1965	Fernandez et al.	206/1.5
3,381,889	5/1968	Laskow	229/923 X
4,048,052	9/1977	Tolaas	229/145 X

OTHER PUBLICATIONS

Modern Packaging, 1941, p. 44, Bottom Right of the page.
Modern Packaging, 1967, p. 227, 2 Boxes Shown by Arrow.
Modern Packaging, Dec. 1975, p. 66, As Shown by Arrows.
Packaging Catalog, 1945, p. 152, as Shown by Arrow.
Packaging, 1959 Cat., P. 229, Item #770 and 769.
Packaging, 1954 Cat, p. 228, Item #764.
Packaging, 1959 Cat, p. 207, Item #678.

Primary Examiner—Prabhakar G. Deshmukh
Attorney, Agent, or Firm—Larson and Taylor

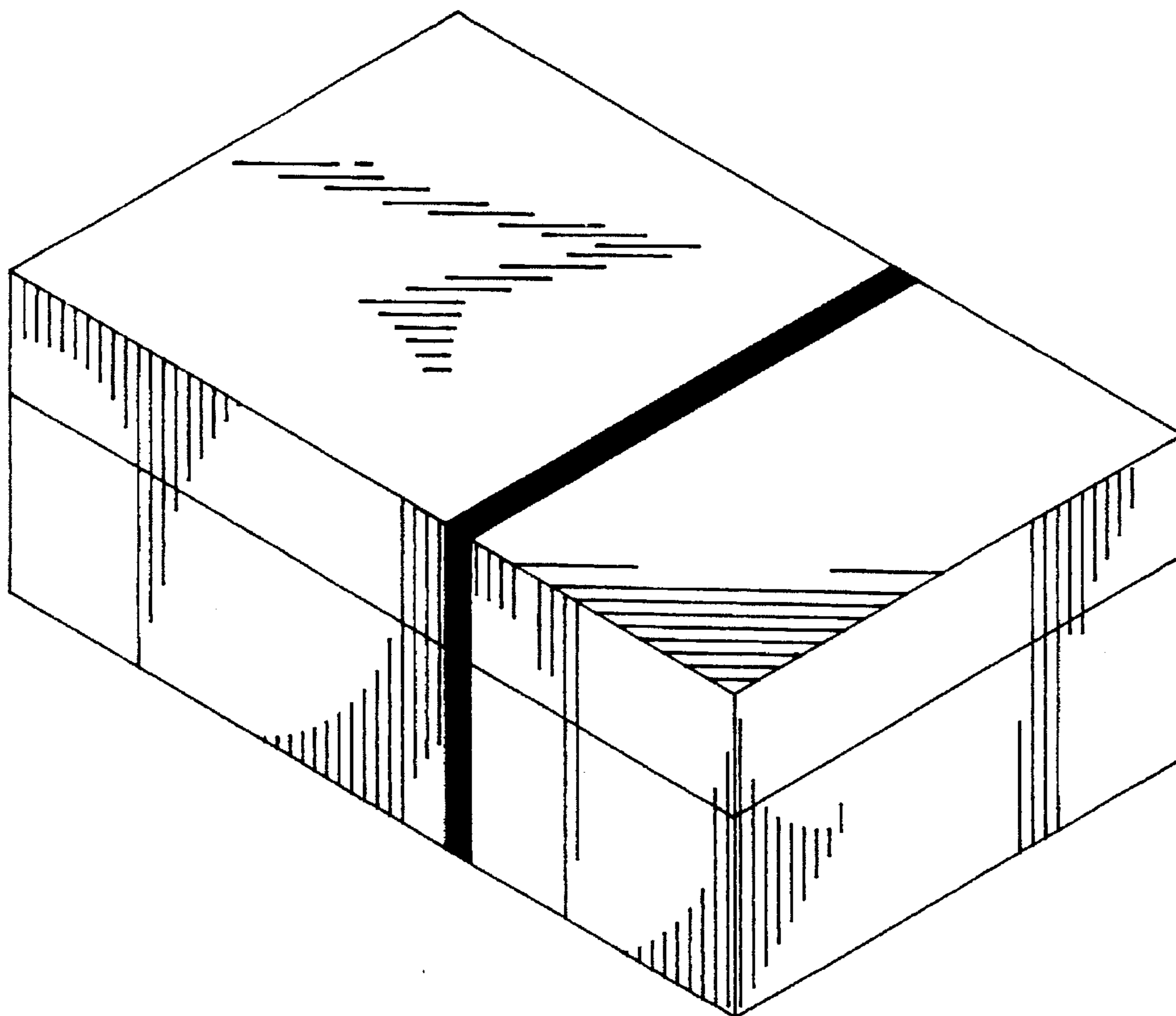
[57] **CLAIM**

The ornamental design for a container with cover, as shown and described.

DESCRIPTION

FIG. 1 is a perspective view of a container with cover in accordance with my new design;
FIG. 2 is a top plan view of the container of FIG. 1; the bottom view is the same;
FIG. 3 is a front end view of the container of FIG. 1; the rear end view is the same; and,
FIG. 4 is a left side elevational view of the container of FIG. 1; the right side elevational view is the same.

1 Claim, 1 Drawing Sheet



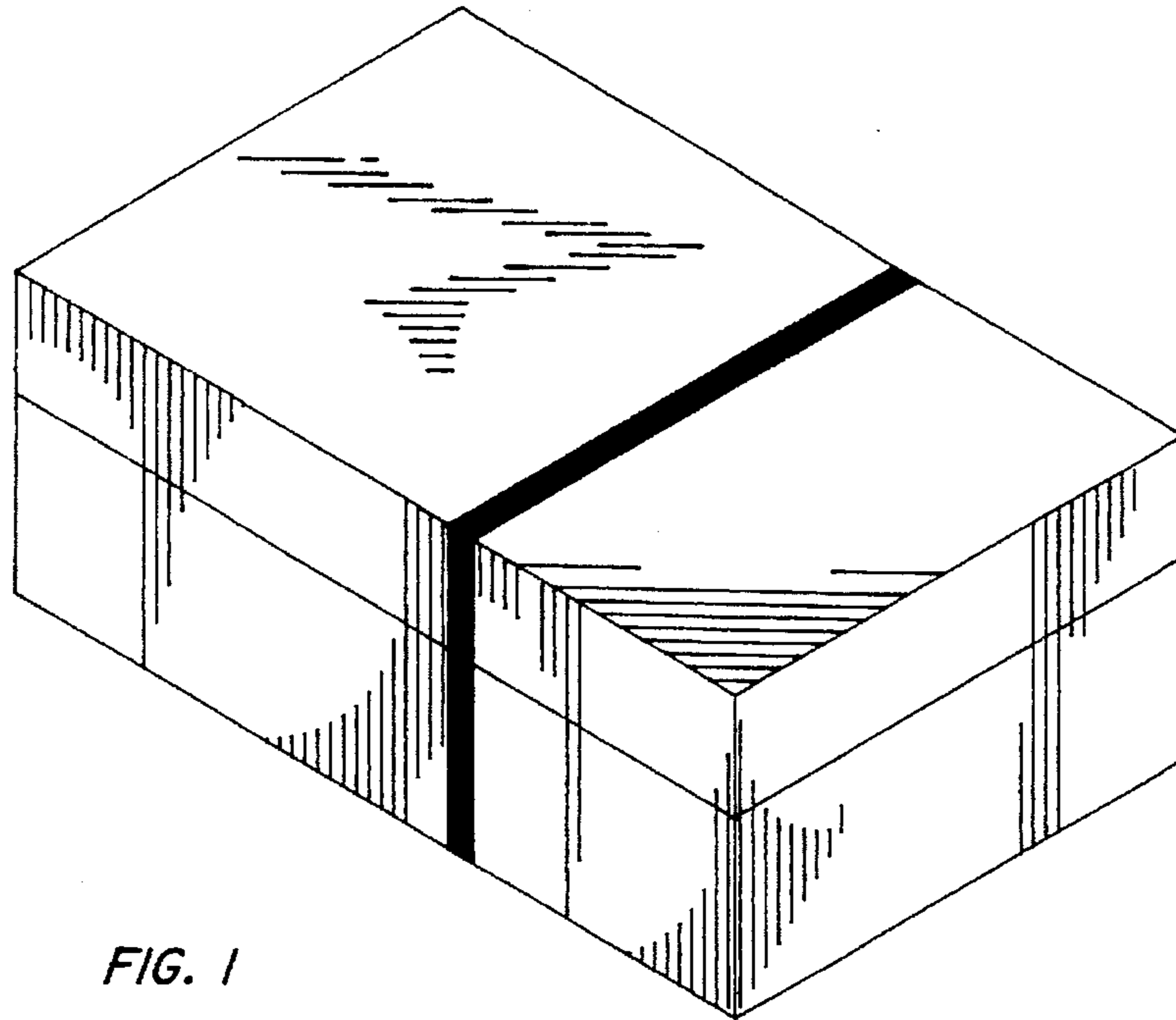


FIG. 1

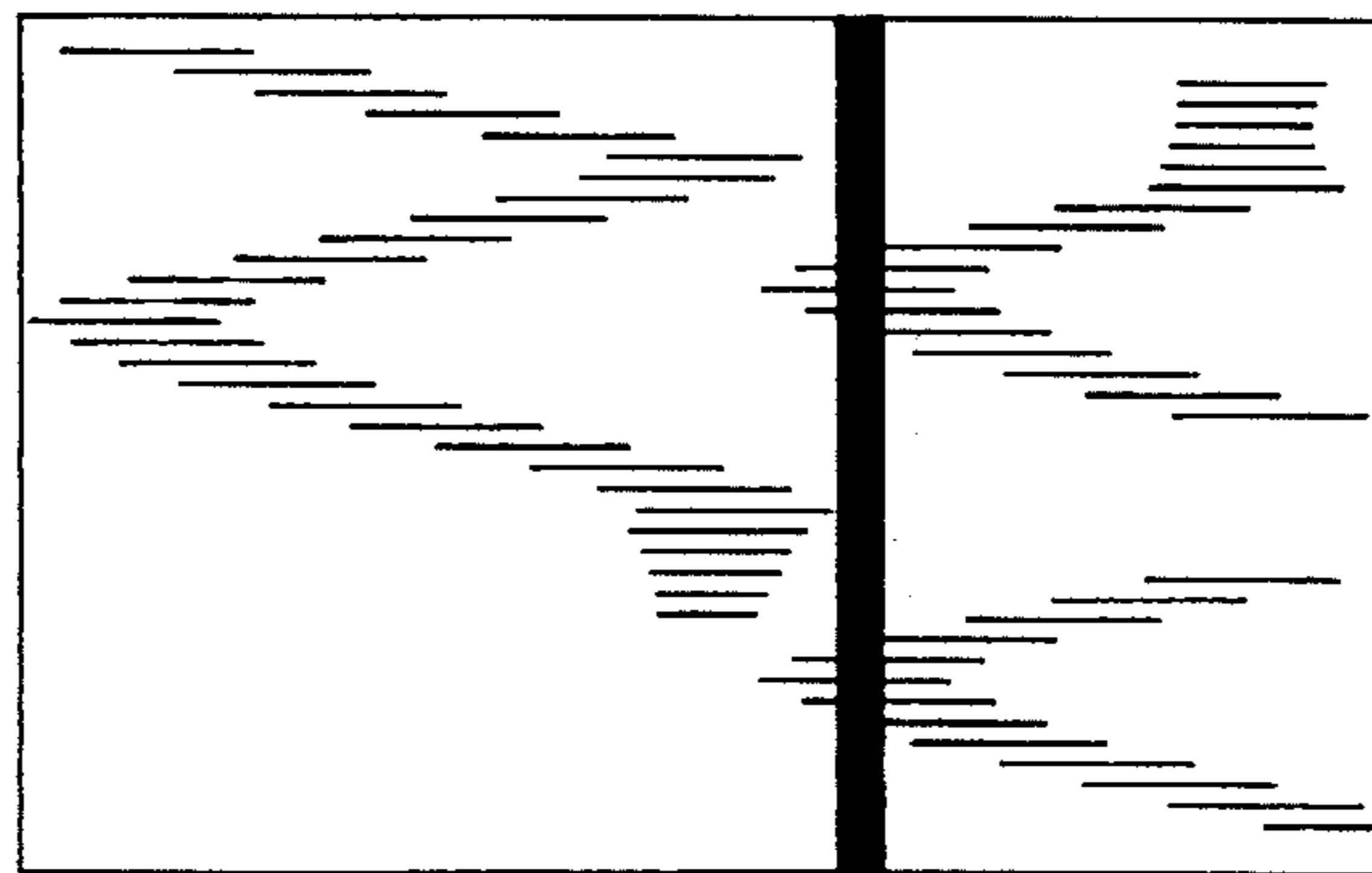


FIG. 2

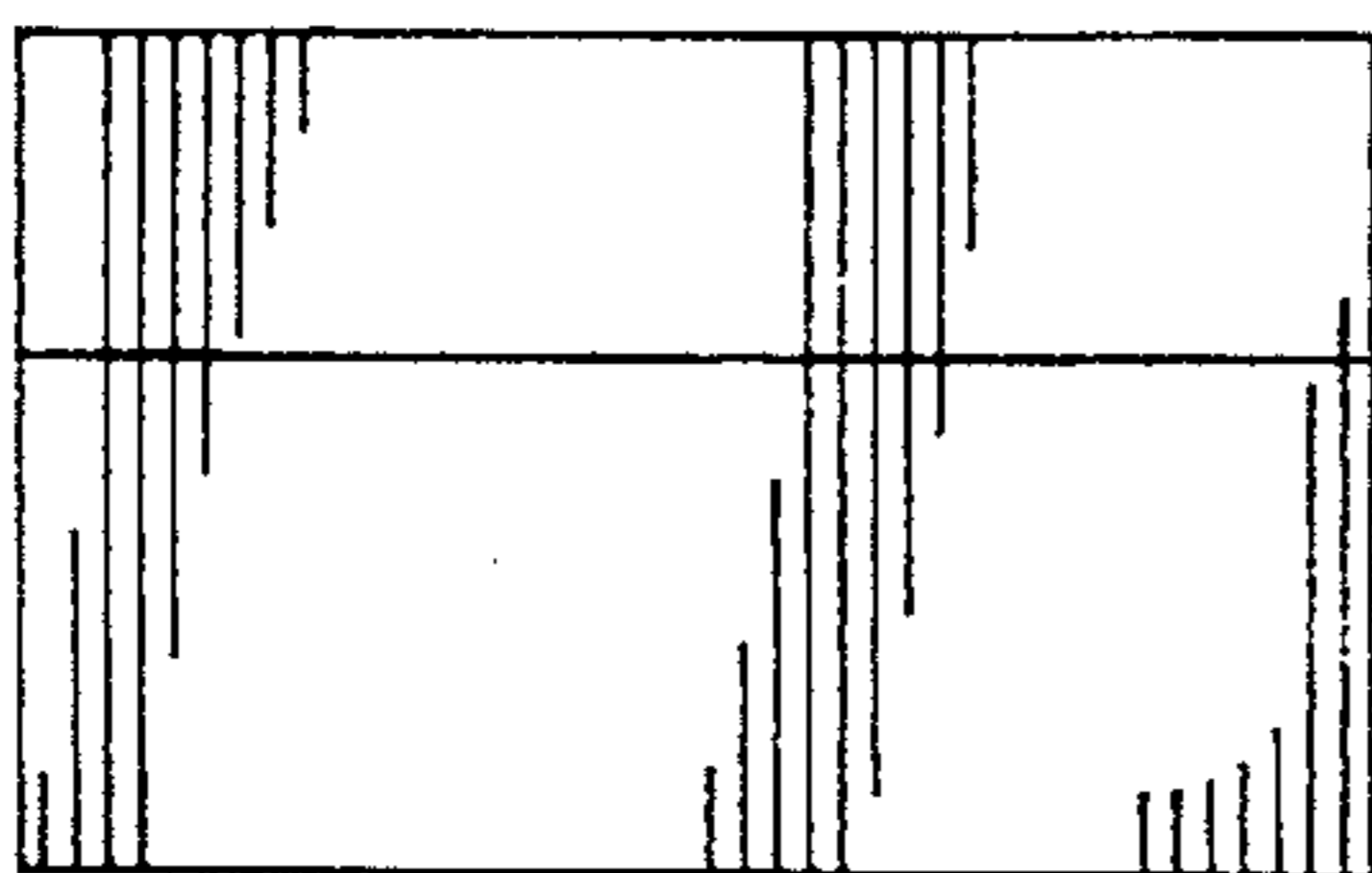


FIG. 3

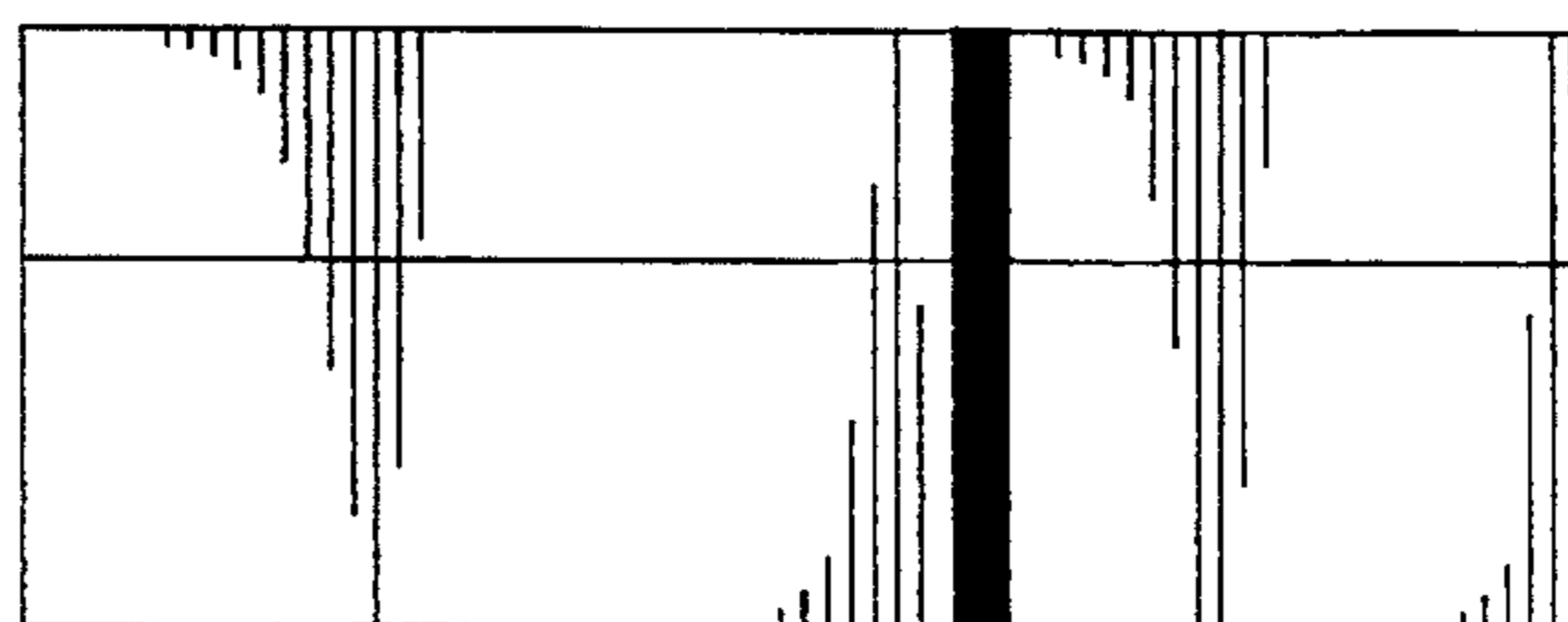


FIG. 4