



US00D383062S

United States Patent [19]

[11] Patent Number: **Des. 383,062**

Gilels et al.

[45] Date of Patent: ****Sep. 2, 1997**

[54] **CAP AND PACKAGE FOR PACKAGE OF CHEWING GUM**

5,244,113	9/1993	Stymeist	220/254	X
5,353,956	10/1994	Wilson	206/800	X
5,482,172	1/1996	Braddock	215/235	

[76] Inventors: **Lisa A. Gilels**, 1114 W. Lynwood, Phoenix, Ariz. 85007; **Terry J. Adams**, 132 S. Central, Suite 6, Phoenix, Ariz. 85004

FOREIGN PATENT DOCUMENTS

2318291 10/1973 Germany 222/556

[**] Term: **14 Years**

Primary Examiner—James Gandy
Assistant Examiner—Cathron B. Matta
Attorney, Agent, or Firm—Harry M. Weiss; Jeffrey D. Moy; Harry M. Weiss & Associates

[21] Appl. No.: **40,159**

[57] CLAIM

[22] Filed: **Jun. 12, 1995**

The ornamental design for a cap and package for package of chewing gum, as shown and described.

[51] **LOC (6) Cl.** **09-07**

[52] **U.S. Cl.** **D9/421**

[58] **Field of Search** D91/434, 435, D91/447, 449, 416-417, 420, 421, 423, 339; D6/515; 206/800; 215/235; 220/254, 259; 222/556

DESCRIPTION

[56] References Cited

U.S. PATENT DOCUMENTS

D. 255,995	7/1980	Kinslow	D9/423
D. 351,789	10/1994	Lee	D9/417 X
D. 374,142	10/1996	Carlson	D6/515
2,988,209	6/1961	Parrilla	206/800 X
3,207,416	9/1965	Koltz	D9/423 X
3,209,961	10/1965	Wassell	D9/417 X
3,872,996	3/1975	Dogliotti	D9/423 X

FIG. 1 is an exploded perspective view of the cap and package for package of chewing gum with the top portion dispensing elements in an opened position showing my new design;

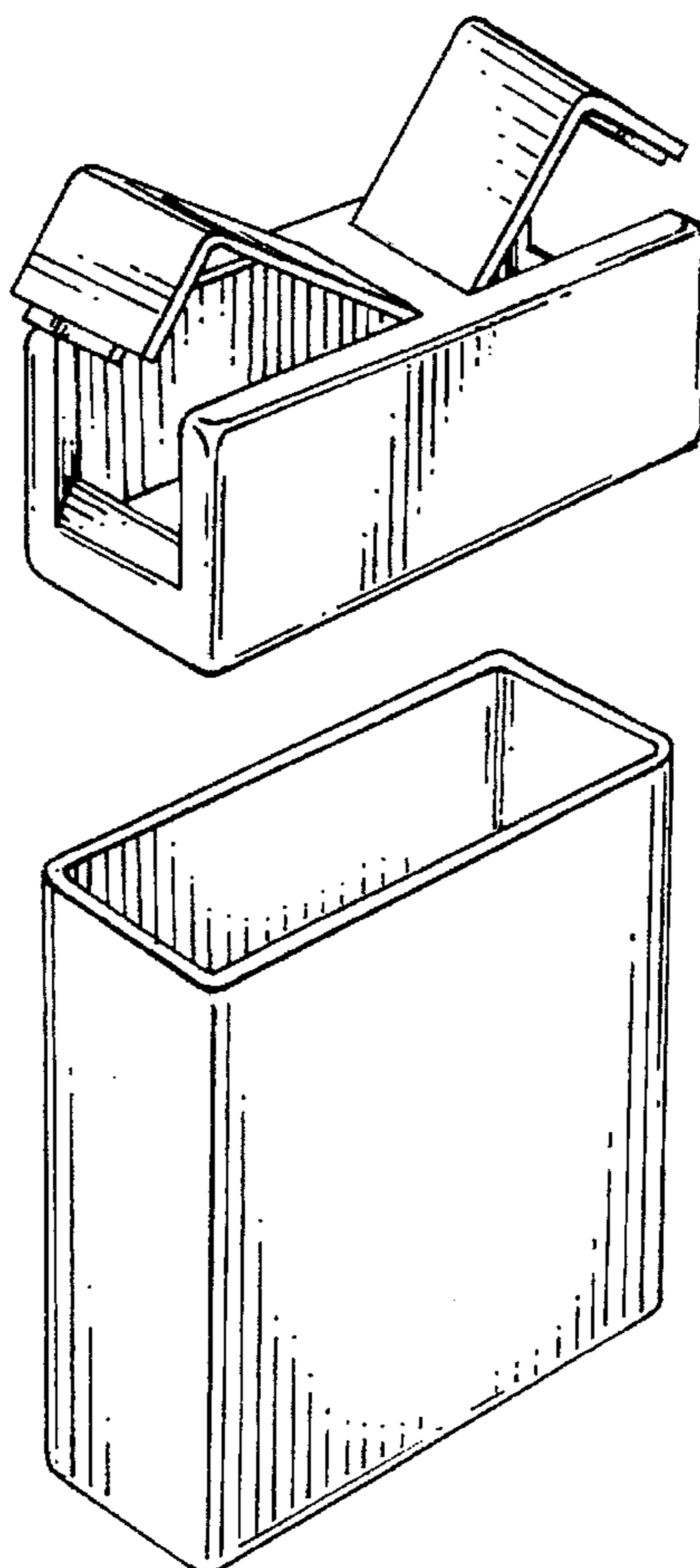
FIG. 2 is a front side elevational view thereof with the top portion in an unopened position, the back side is a mirror image of that shown;

FIG. 3 is a side elevational view thereof, the other side is a mirror image of that shown;

FIG. 4 is a bottom view thereof; and,

FIG. 5 is a top plan view thereof.

1 Claim, 1 Drawing Sheet



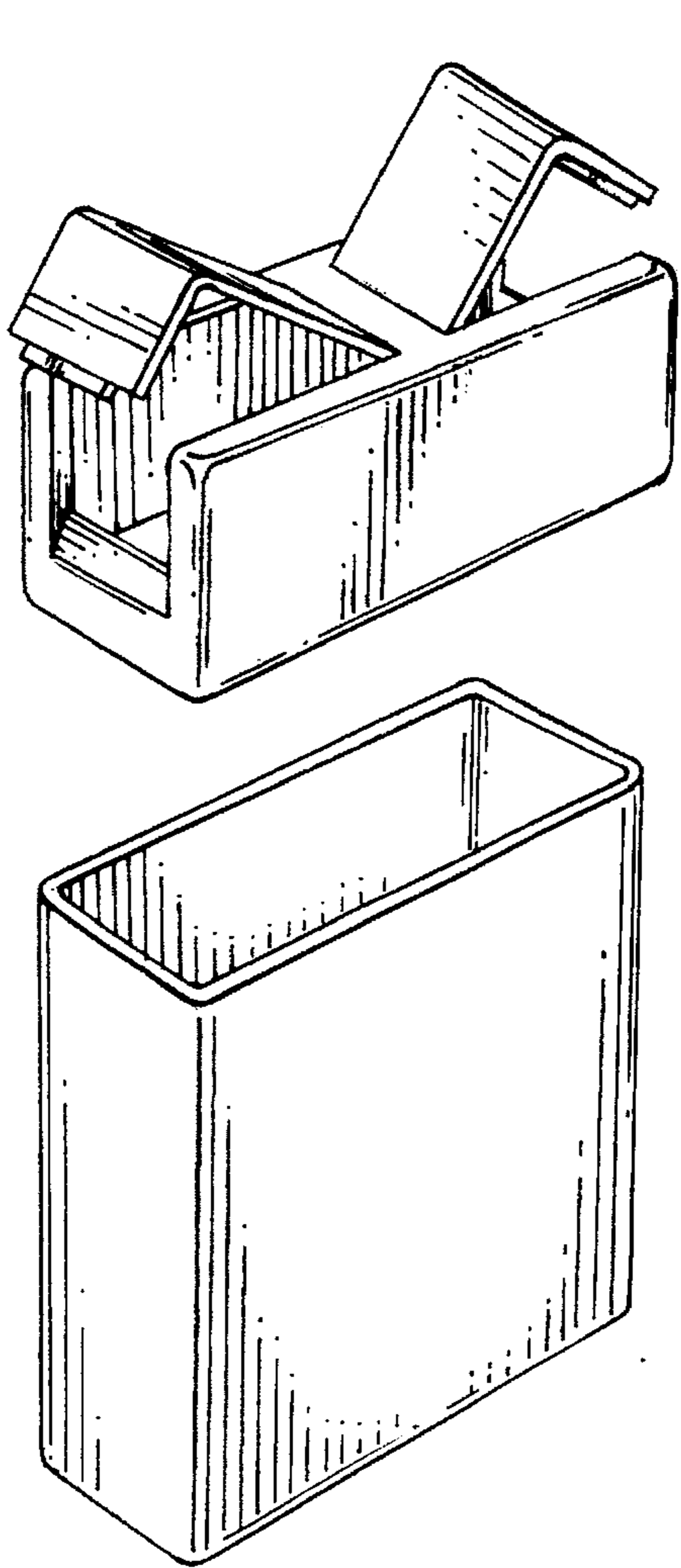


Fig. 1

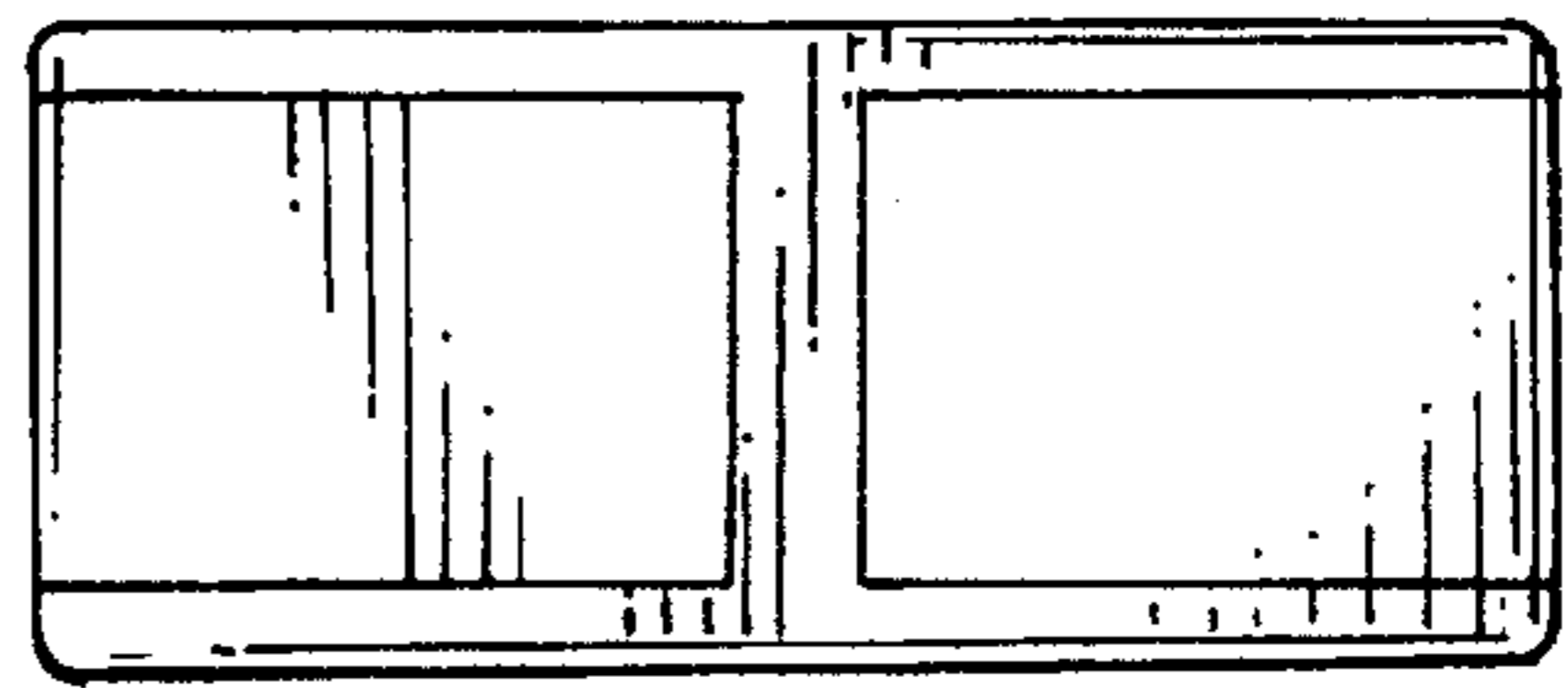


Fig. 5

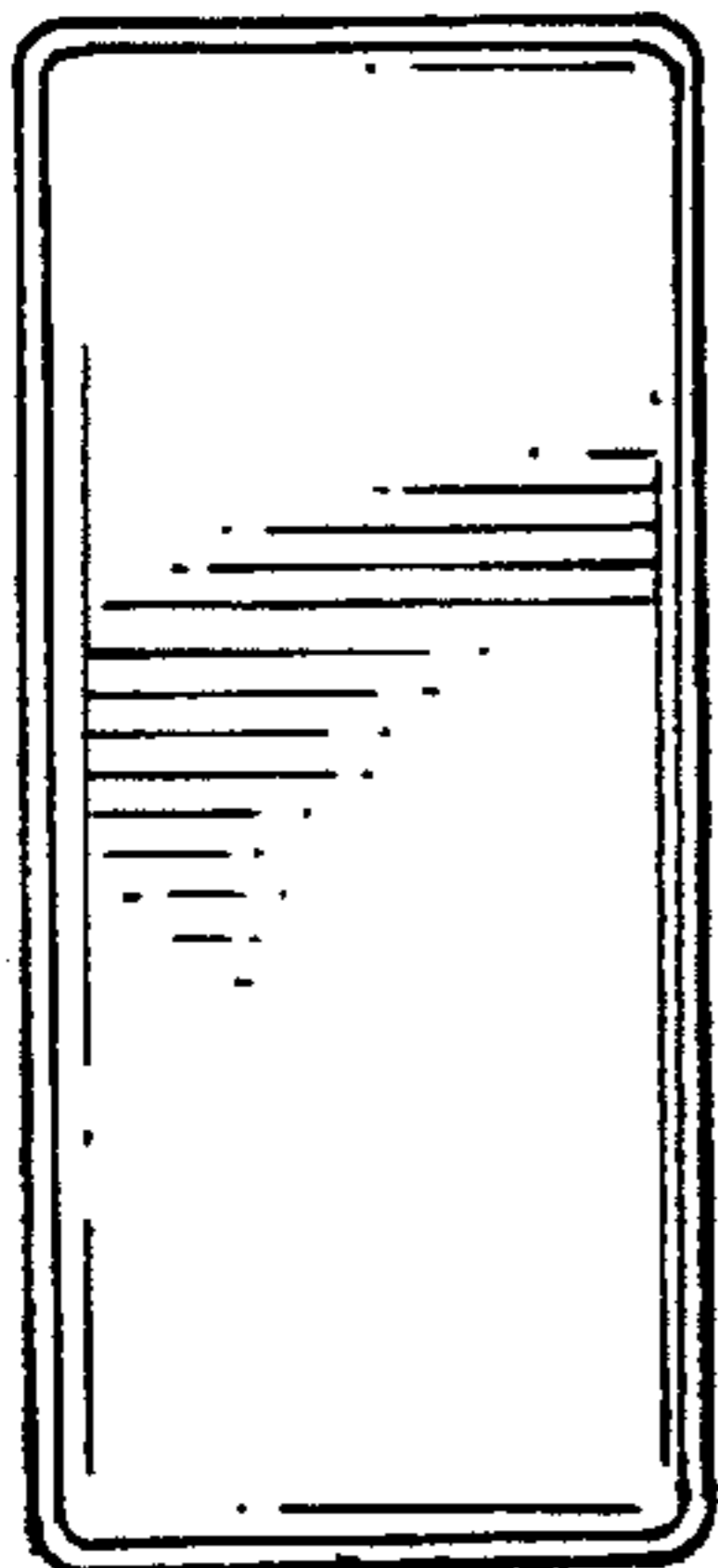


Fig. 4

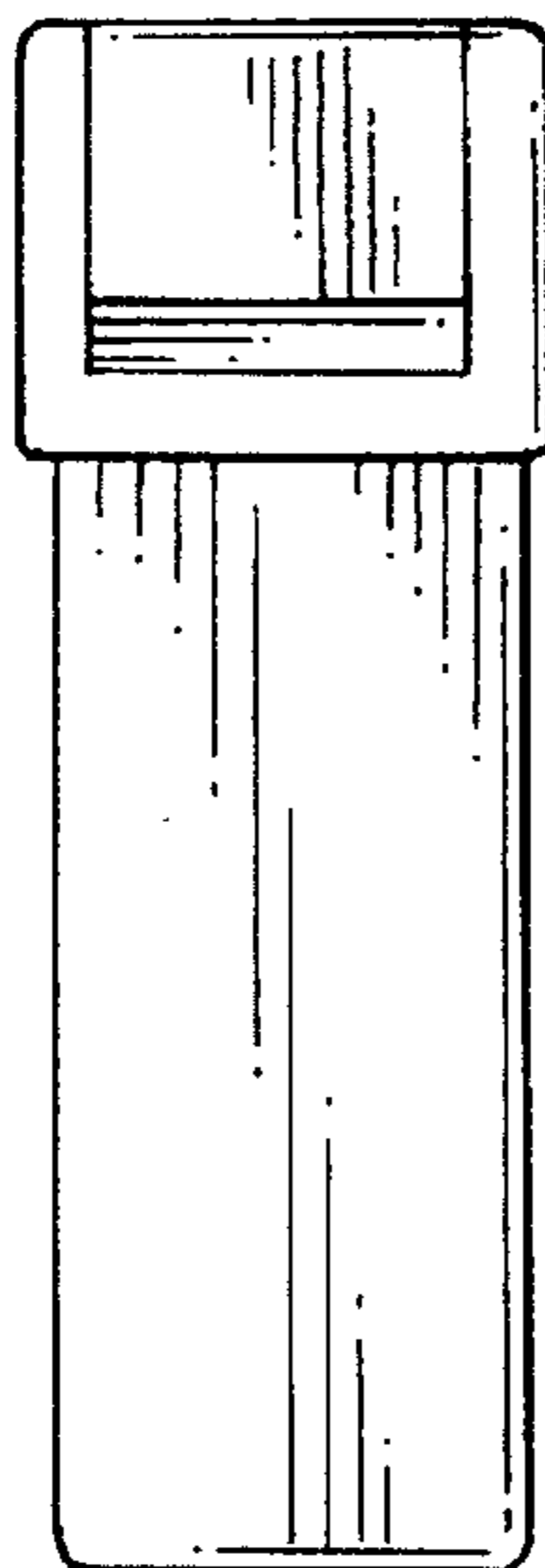


Fig. 3

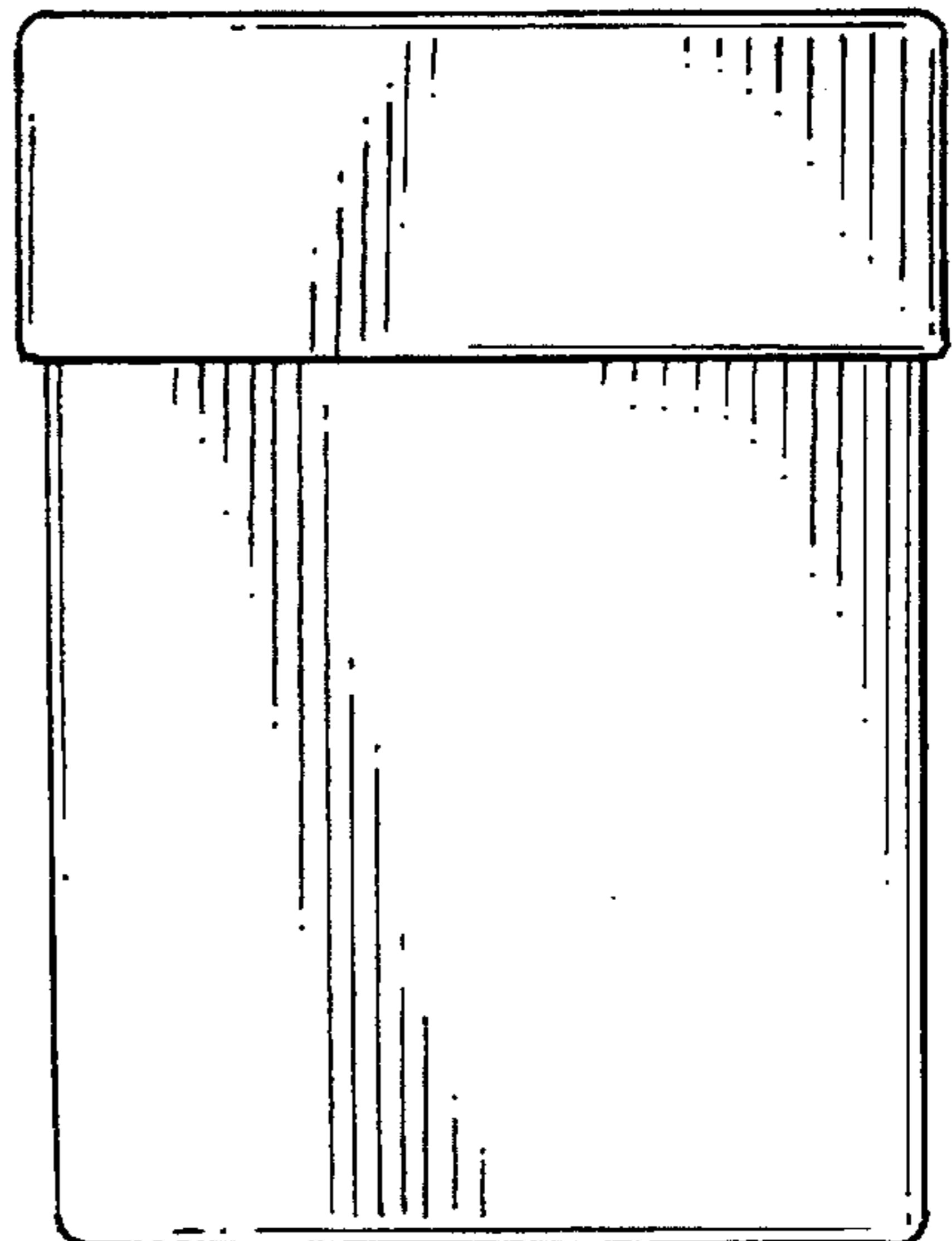


Fig. 2