



US00D383060S

**United States Patent** [19]  
**Pfuhl et al.**

[11] **Patent Number: Des. 383,060**  
[45] **Date of Patent: \*\*Sep. 2, 1997**

[54] **FLEXIBLE PACKAGE**

[75] Inventors: **Reiner Pfuhl**, Dieburg; **Steffen Marx**,  
Lautertal, both of Germany  
[73] Assignee: **Tetra Laval Holdings & Finance S.A.**,  
Pully, Switzerland  
[\*\*] Term: **14 Years**  
[21] Appl. No.: **42,871**  
[22] Filed: **Aug. 18, 1995**

[30] **Foreign Application Priority Data**  
Feb. 19, 1995 [DE] Germany ..... M 95 01 381.4

[51] **LOC (6) Cl. .... 09-05**  
[52] **U.S. Cl. .... D9/305**  
[58] **Field of Search** ..... D9/302, 305, 306,  
D9/526; 220/DIG. 13; 222/92, 107; 383/8,  
10, 12, 13, 100, 113, 120, 123, 906, 104

[56] **References Cited**

**U.S. PATENT DOCUMENTS**

D. 295,835	5/1988	Gautier	.....	D9/305
D. 304,546	11/1989	Cattach	.....	D9/305
D. 308,164	5/1990	Cazes	.....	D9/305 X
D. 319,780	9/1991	Laaki	.....	D9/305
D. 340,642	10/1993	Detzel et al.	.....	D9/432 X
3,387,701	6/1968	Schneider et al.	.....	383/104 X
4,953,708	9/1990	Beer et al.	.....	383/9 X
4,971,243	11/1990	Lisiecki	.....	D9/526 X
5,147,071	9/1992	Rutter et al.	.....	383/906 X

**FOREIGN PATENT DOCUMENTS**

1486438	7/1969	Germany .
3713001	10/1988	Germany .
4015119	1/1991	Germany .
4105694	9/1991	Germany .
9109759	1/1992	Germany .
4100542	2/1992	Germany .

*Primary Examiner*—Prabhakar G. Deshmukh  
*Attorney, Agent, or Firm*—Dann, Dorfman, Herrell and Skillman; Henry H. Skillman

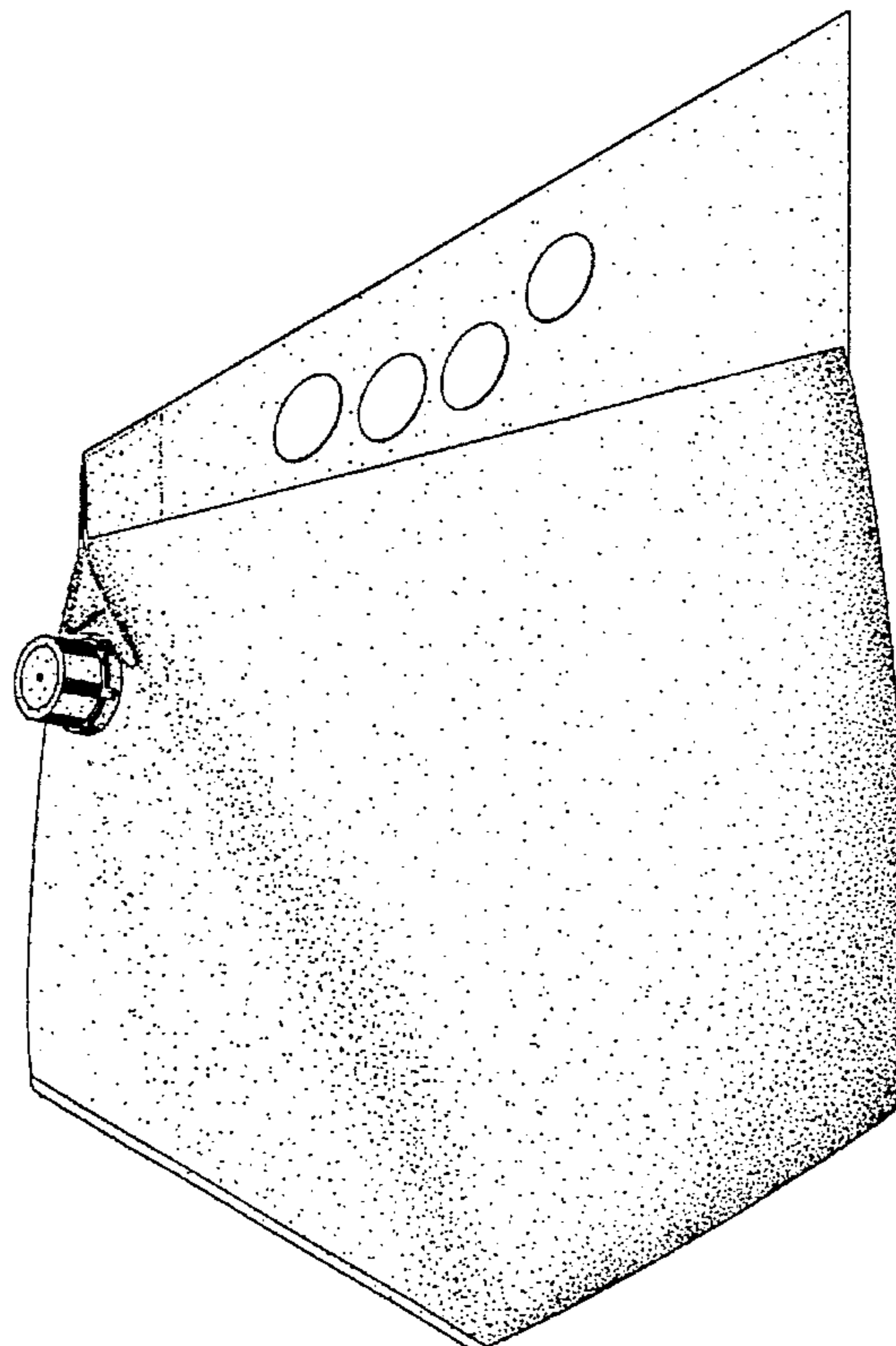
[57] **CLAIM**

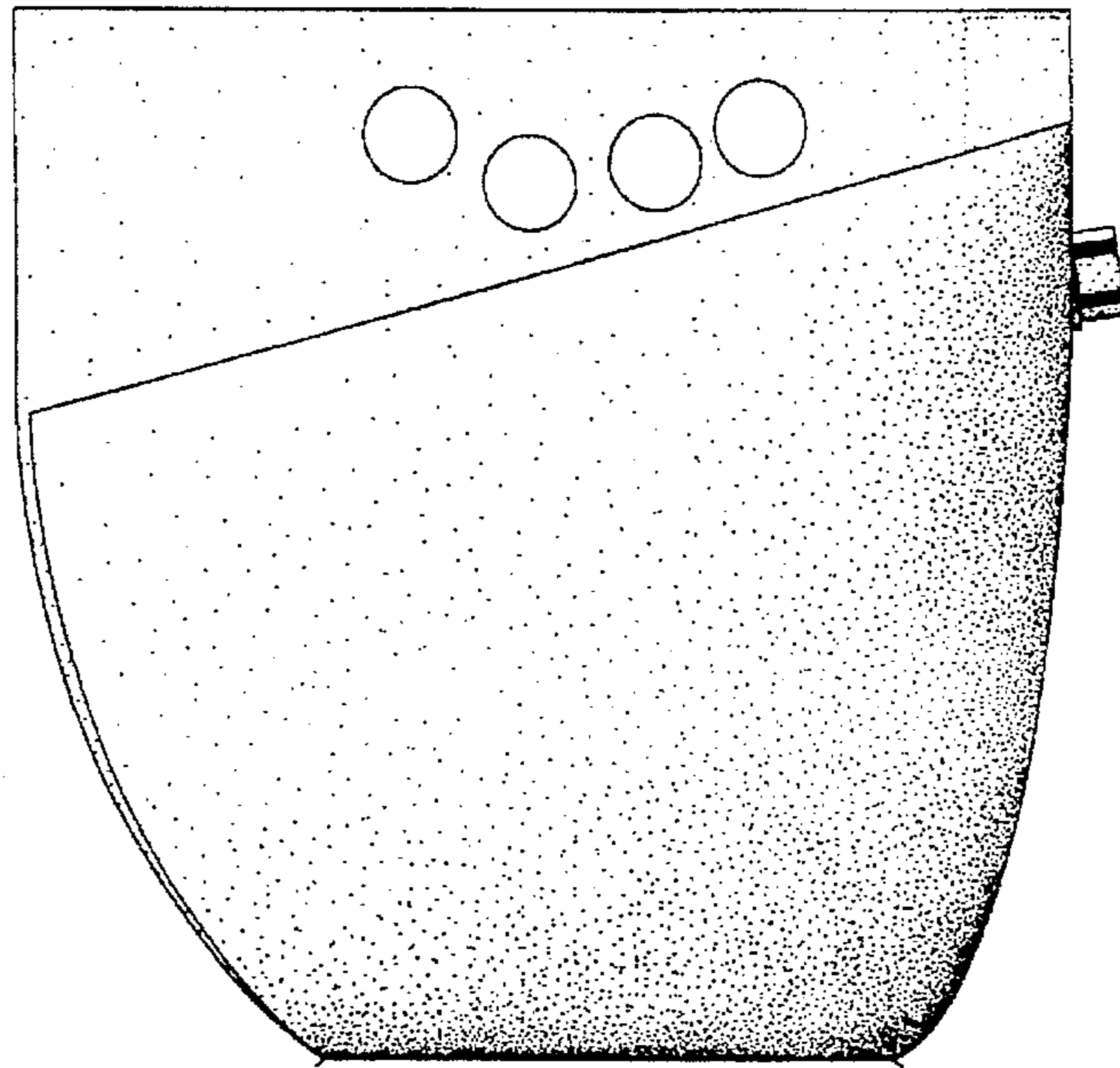
The ornamental design for a flexible package, as shown and described.

**DESCRIPTION**

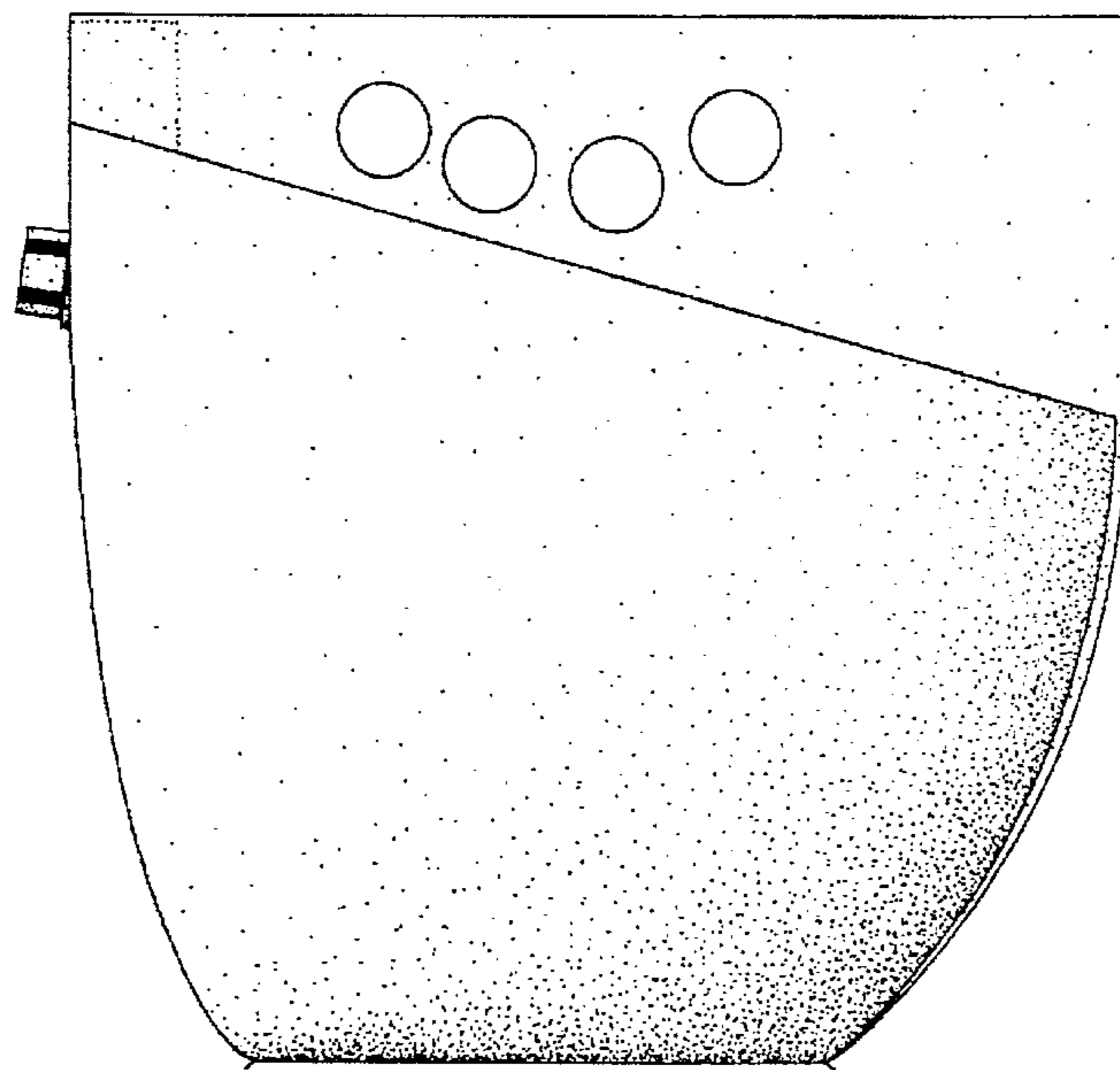
FIG. 1 is a front elevation view of a flexible package showing our new design;  
FIG. 2 is a rear elevation view thereof;  
FIG. 3 is a right side elevation view thereof;  
FIG. 4 is a left side elevation view thereof;  
FIG. 5 is a top plan view thereof;  
FIG. 6 is a bottom plan view thereof;  
FIG. 7 is a perspective view thereof;  
FIG. 8 is a perspective view shown in a filled condition; and,  
FIG. 9 is a perspective view of a second alternate embodiment shown in an empty condition.  
The broken lines in the drawing figures represent fold lines. The undisclosed sides of the second embodiment (FIG. 9) are similar to as disclosed in FIGS. 1-6 (inclusive) of the first embodiment (FIG. 7).

**1 Claim, 6 Drawing Sheets**

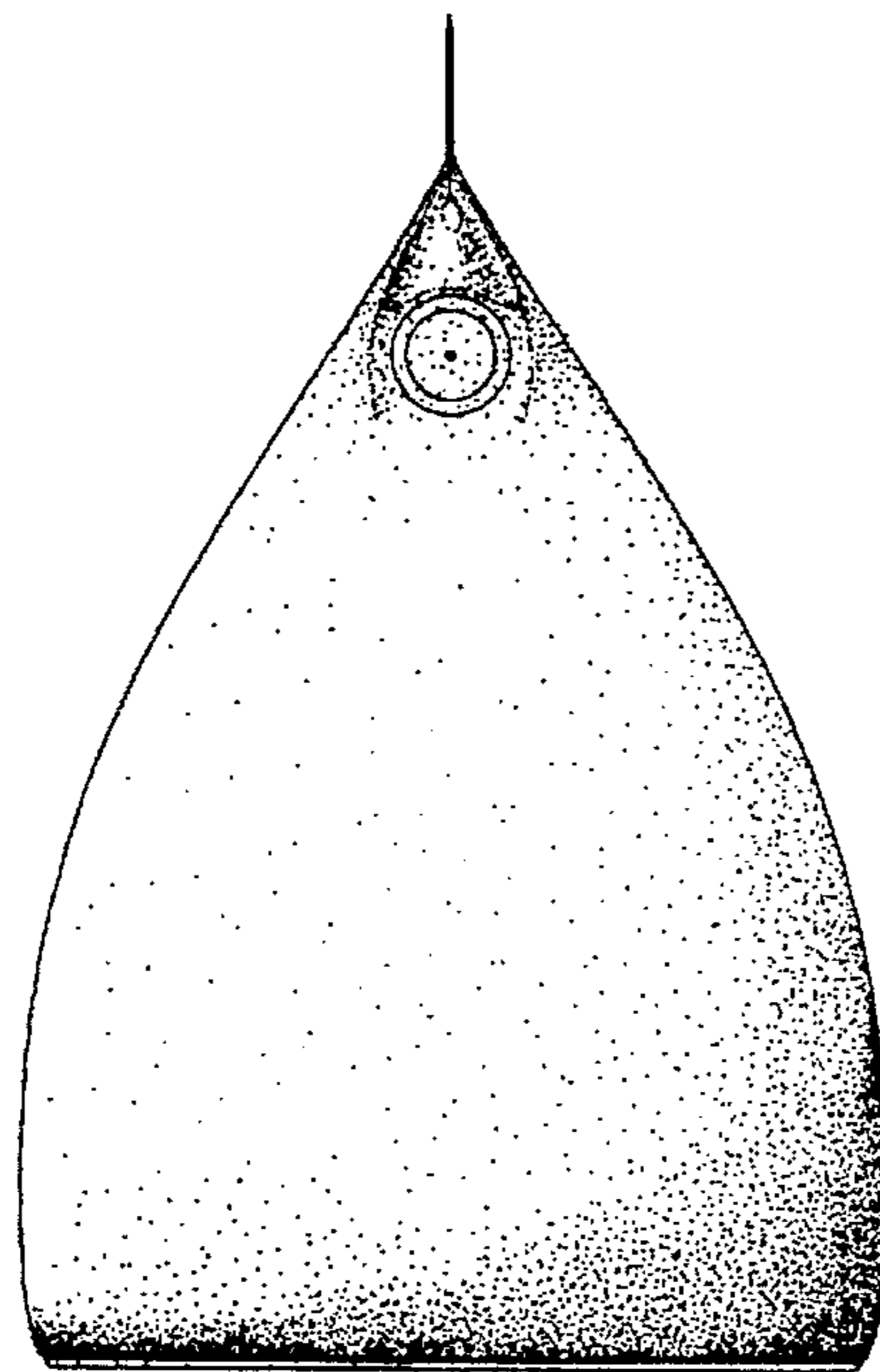




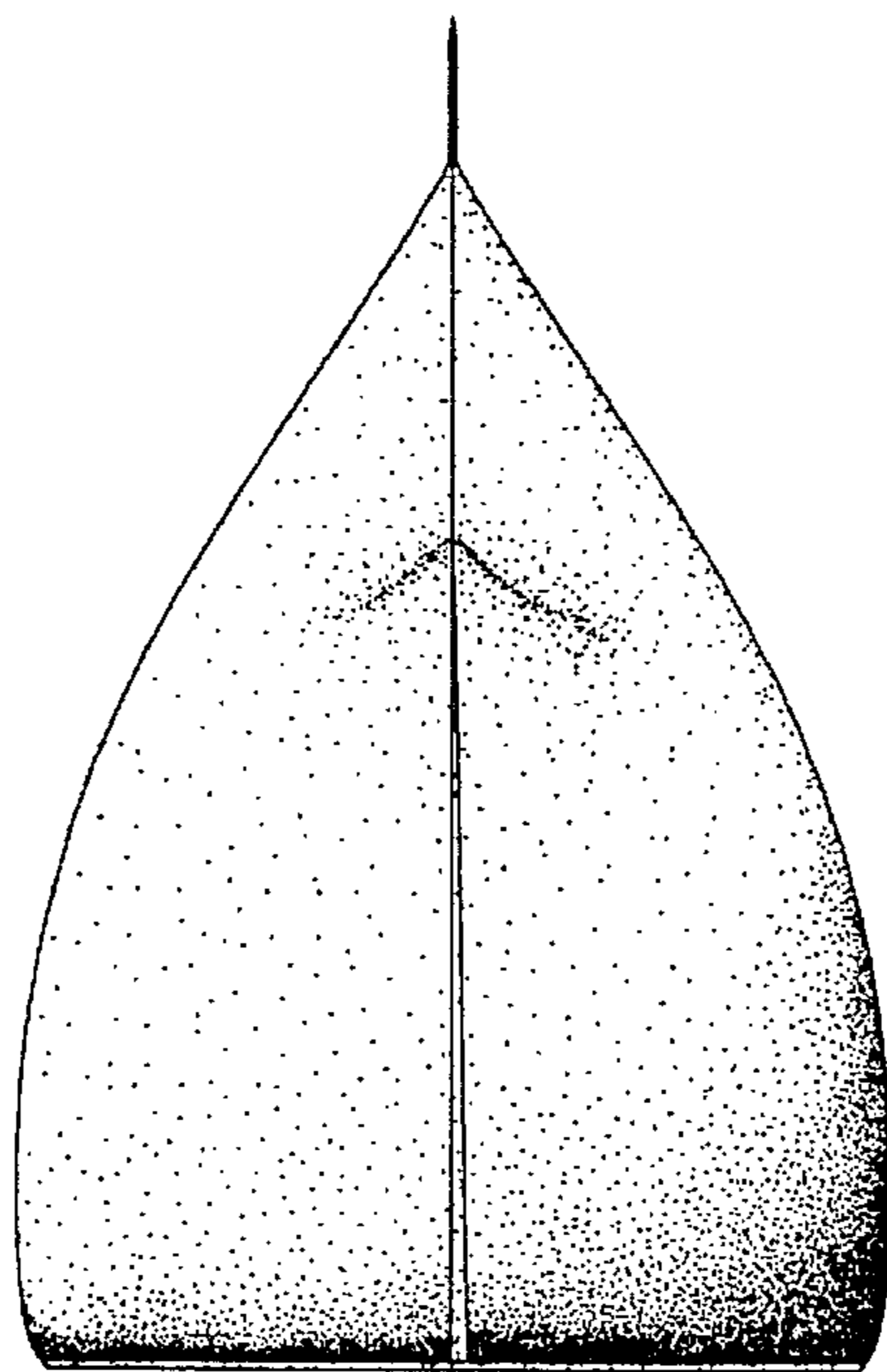
*FIG. 1*



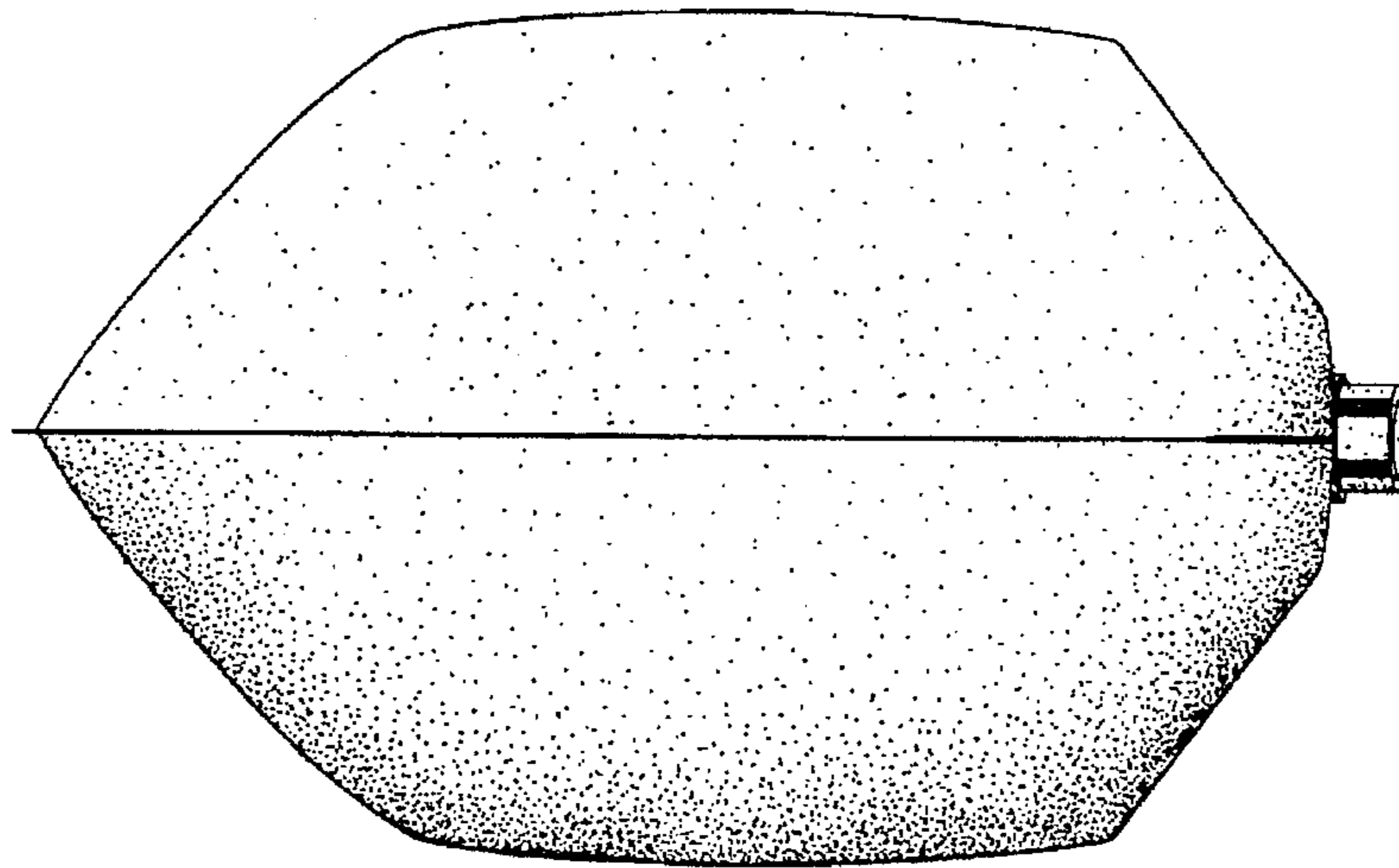
*FIG. 2*



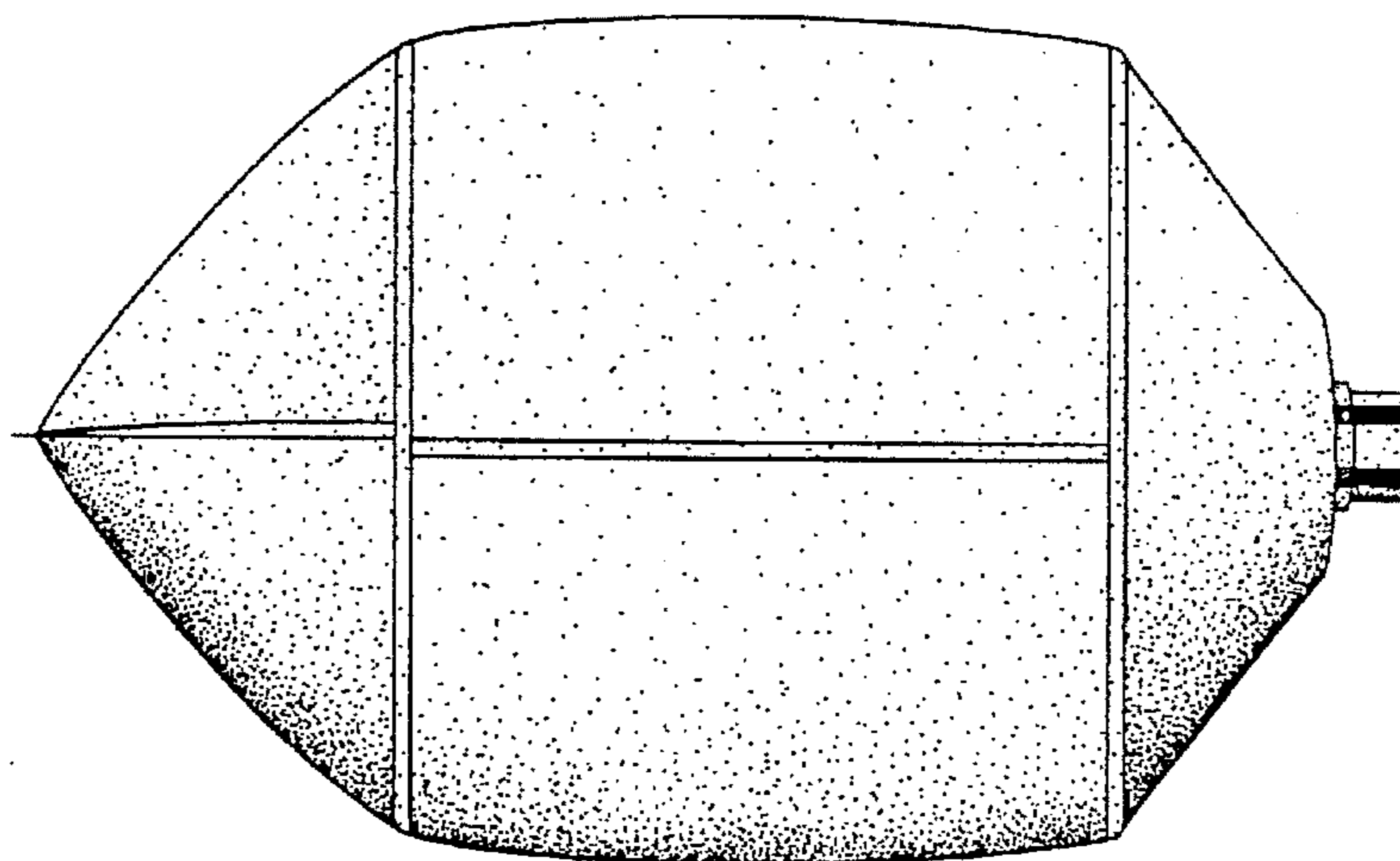
*FIG. 3*



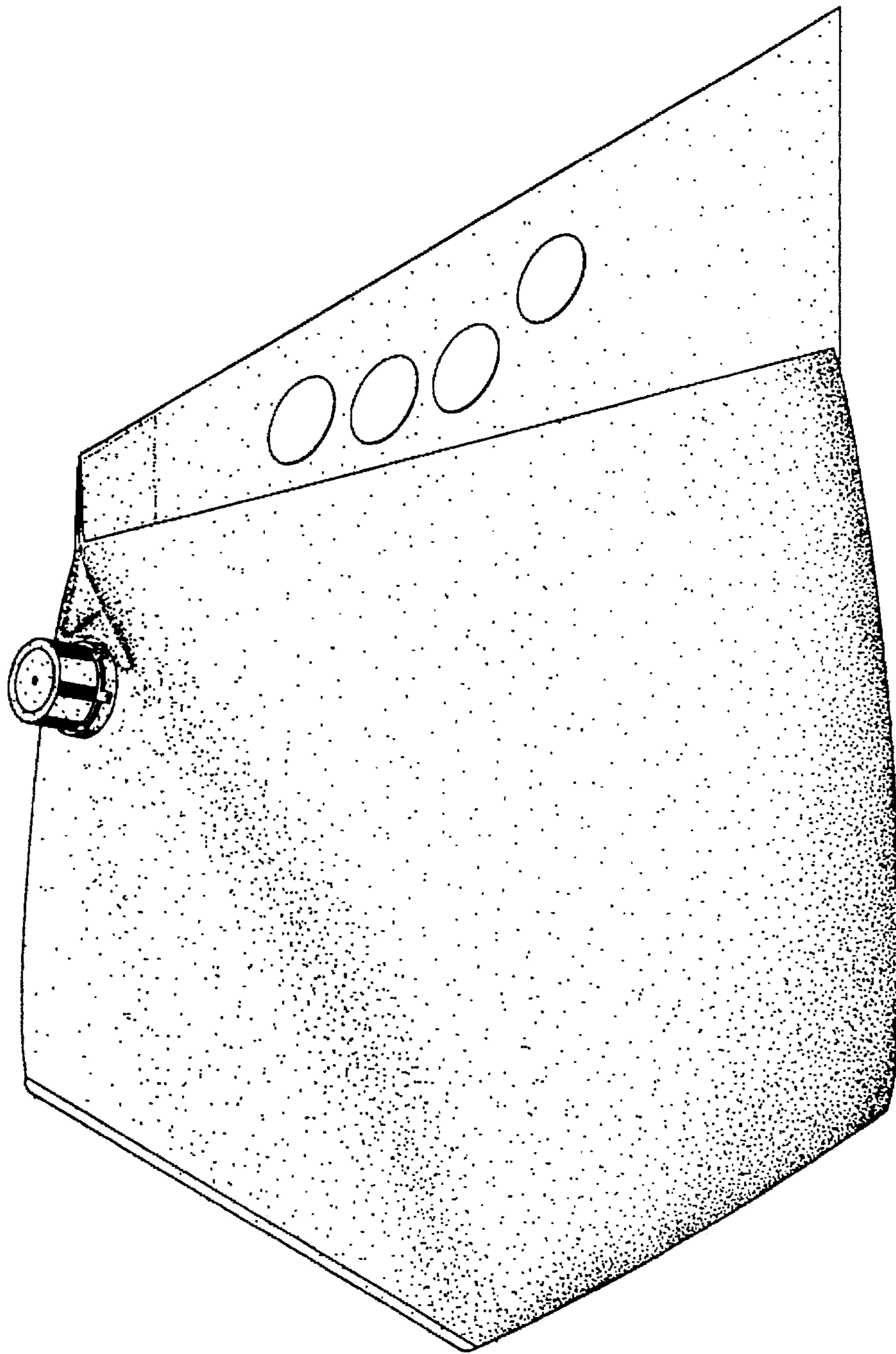
*FIG. 4*



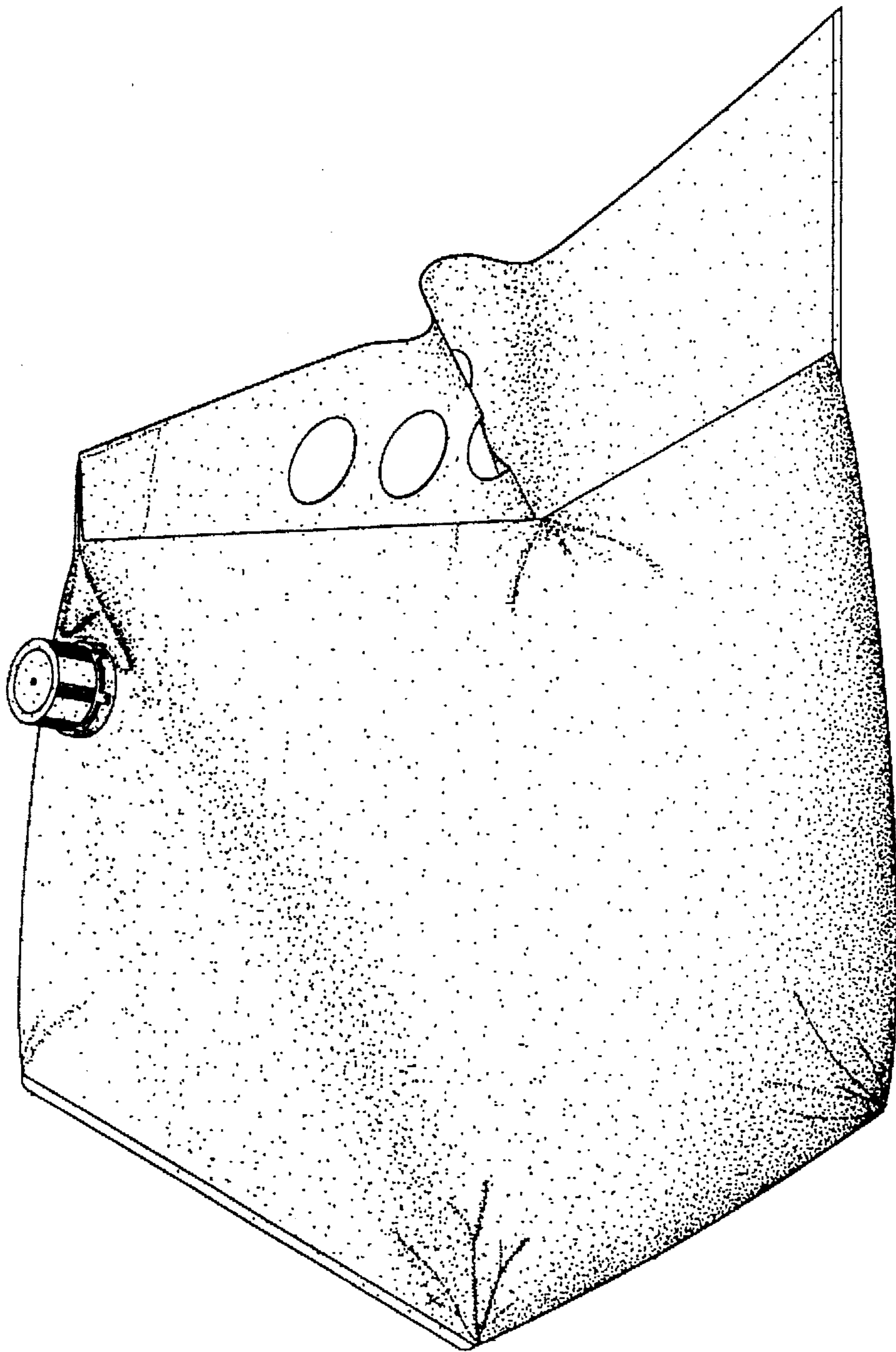
*FIG. 5*



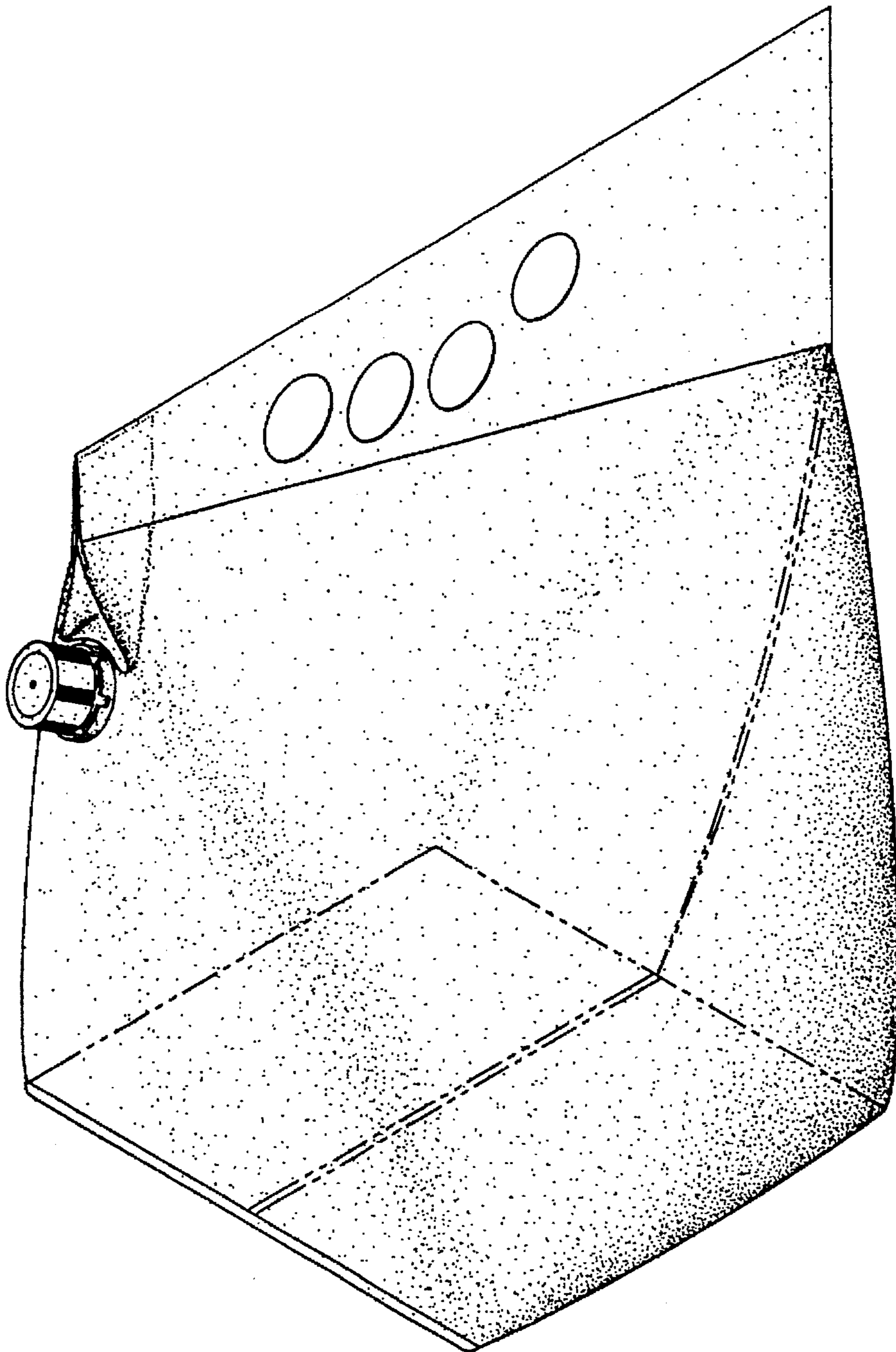
*FIG. 6*



*FIG. 7*



*FIG. 8*



*FIG. 9*