



US00D383059S

United States Patent [19]
Kelly

[11] **Patent Number:** **Des. 383,059**

[45] **Date of Patent:** ****Sep. 2, 1997**

[54] **DISPENSER**

[76] **Inventor:** **Michael D. Kelly**, 7227 Edmund St., Philadelphia, Pa. 19135

[**] **Term:** **14 Years**

[21] **Appl. No.:** **11,260**

[22] **Filed:** **Aug. 2, 1993**

[51] **LOC (6) Cl.** **09-01**

[52] **U.S. Cl.** **D9/300; D9/521; D9/526**

[58] **Field of Search** **D9/300, 522, 563, D9/521, 516, 526; 215/1 R, 1 C; 222/402.13**

[56] **References Cited**

U.S. PATENT DOCUMENTS

D. 133,002	7/1942	Steuernagle	D9/563 X
D. 207,429	4/1967	McLean	D9/563 X
D. 221,275	7/1971	Hebblethwaite	D9/300
D. 236,684	9/1975	Hebblethwaite	D9/300
D. 284,788	7/1986	Cahuzak	D9/300 X

D. 316,969	5/1991	Wiseman et al.	D9/516 X
D. 326,611	6/1992	Dinand	D9/558 X
5,096,098	3/1992	Garcia	222/402.13

Primary Examiner—Ted Shooman
Assistant Examiner—Cheri Cohen
Attorney, Agent, or Firm—John D. Gogliotta

[57] **CLAIM**

The ornamental design for a dispenser, as shown and described.

DESCRIPTION

FIG. 1 is a perspective view of a dispenser showing my new design;
FIG. 2 is a front elevational view thereof;
FIG. 3 is a left or right side elevational view thereof;
FIG. 4 is a rear elevational view thereof;
FIG. 5 is a top plan view thereof; and,
FIG. 6 is a bottom plan view.

1 Claim, 2 Drawing Sheets

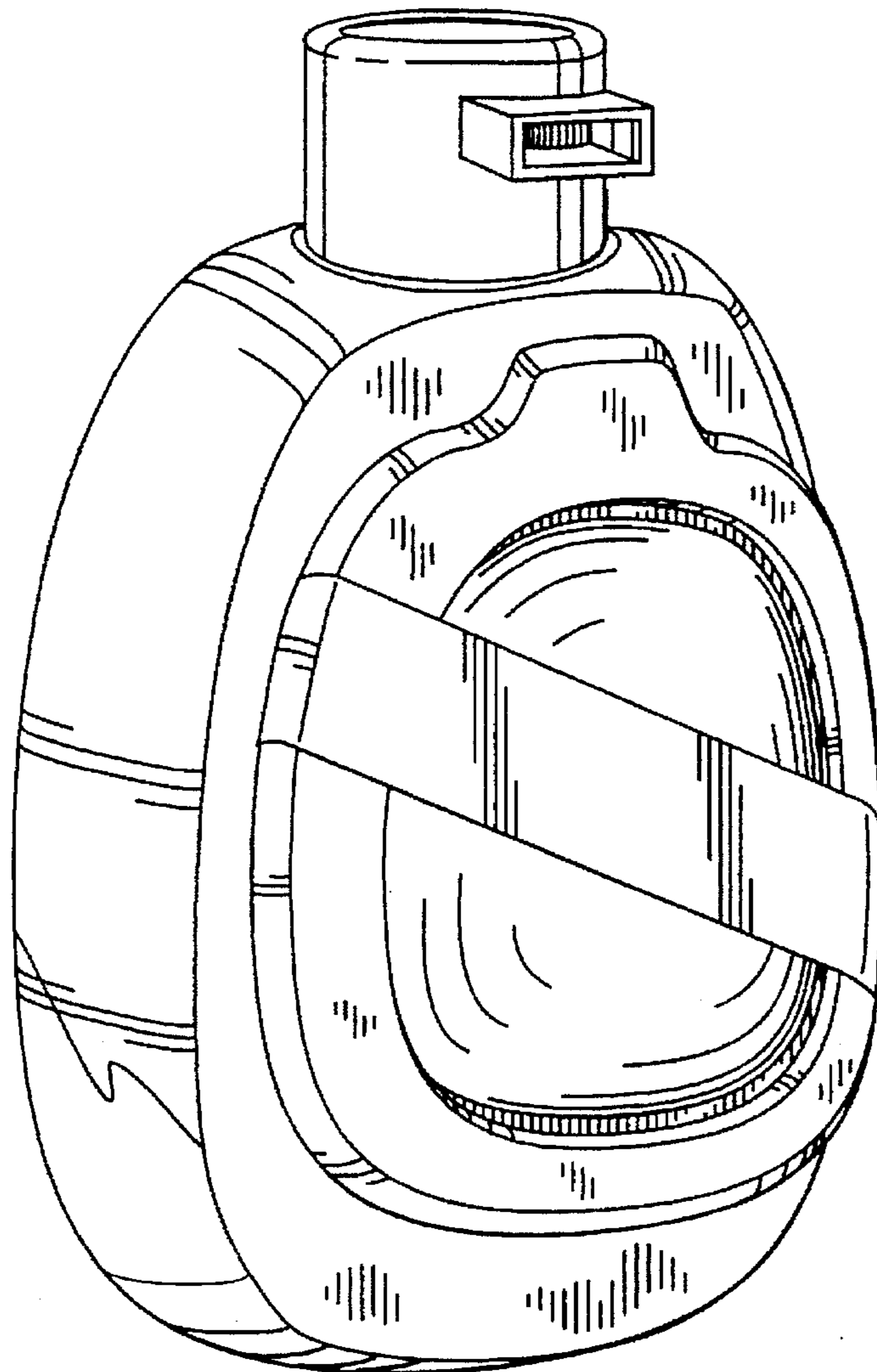


Fig.1

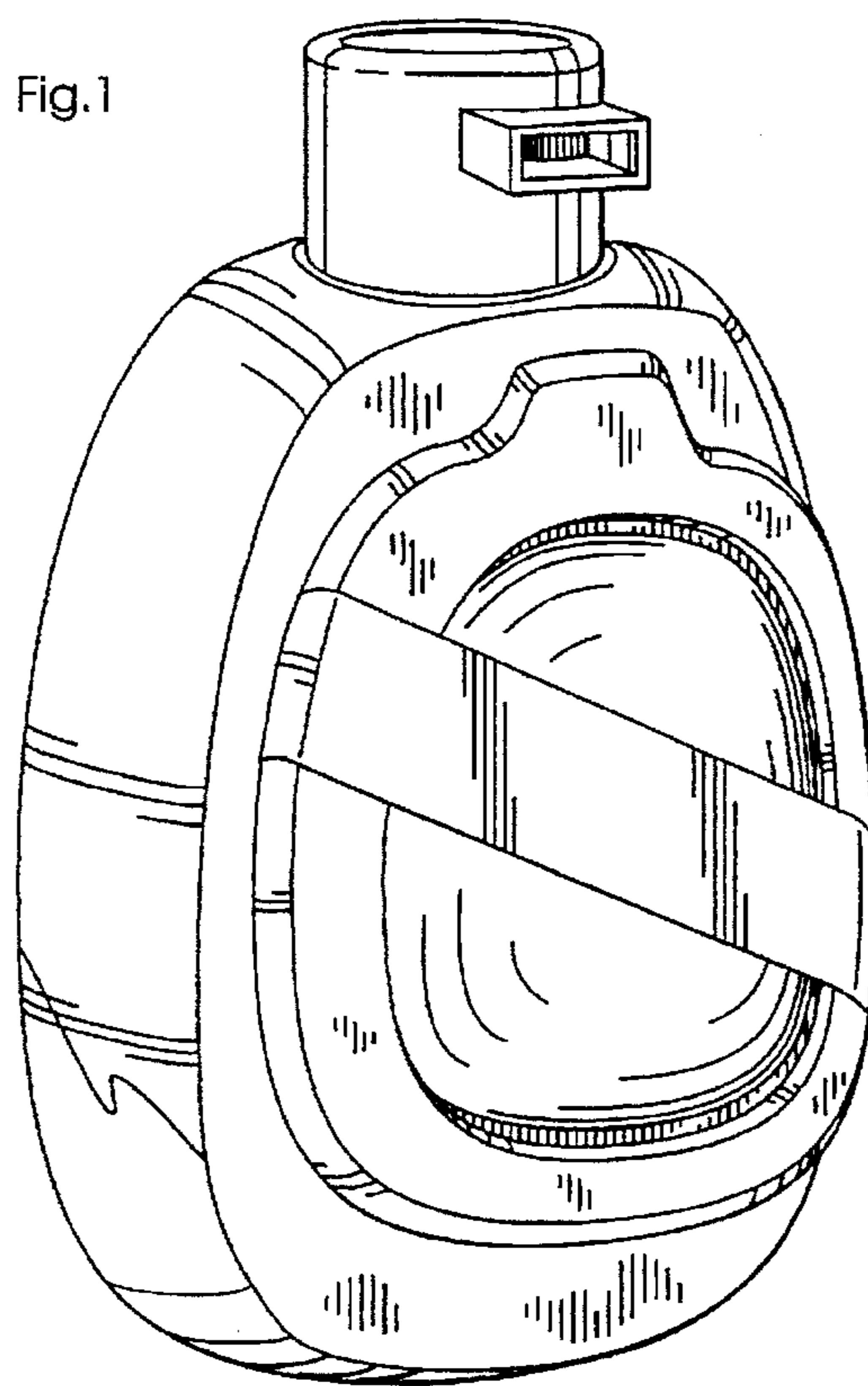


Fig.2

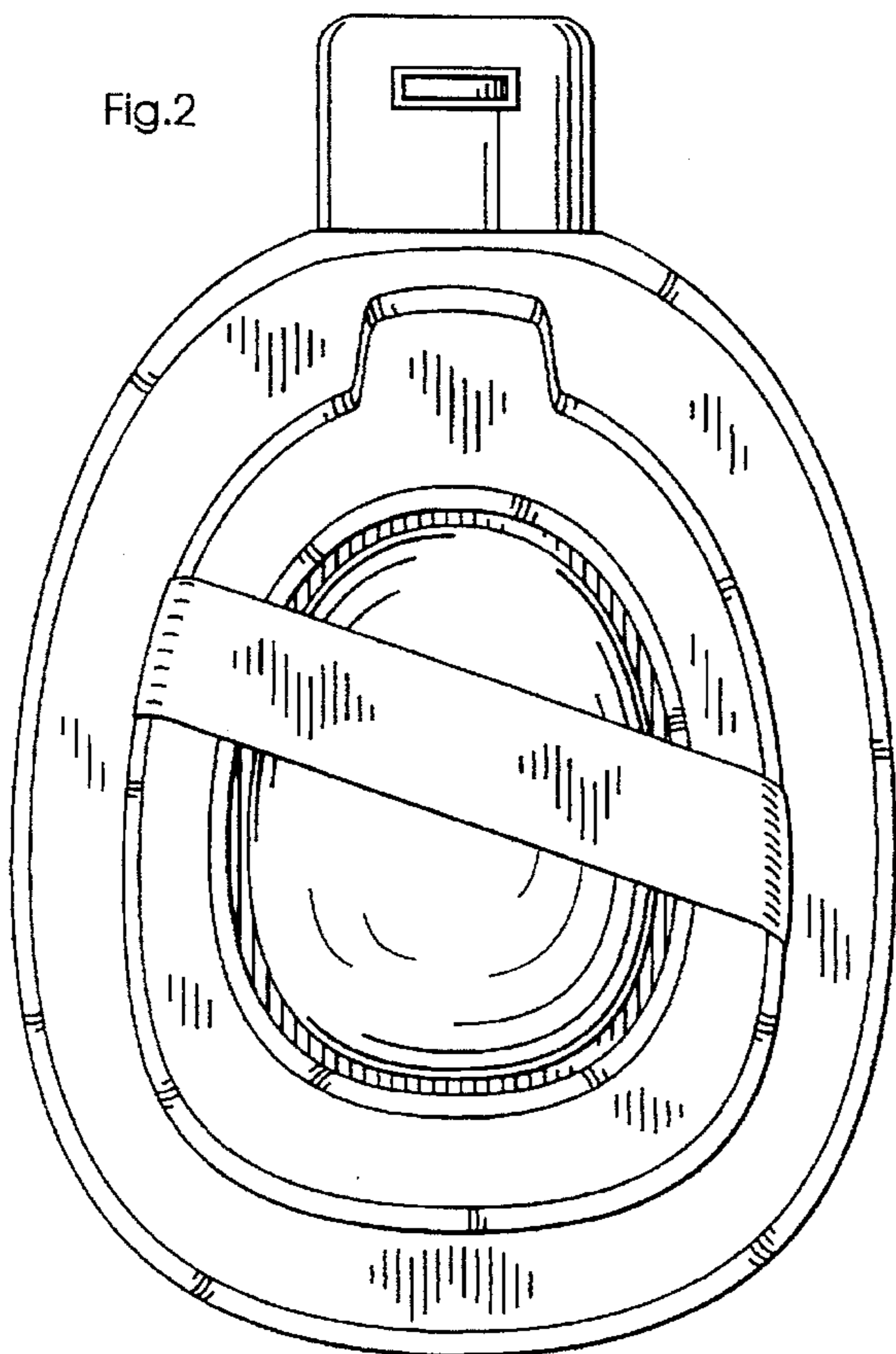


Fig.3

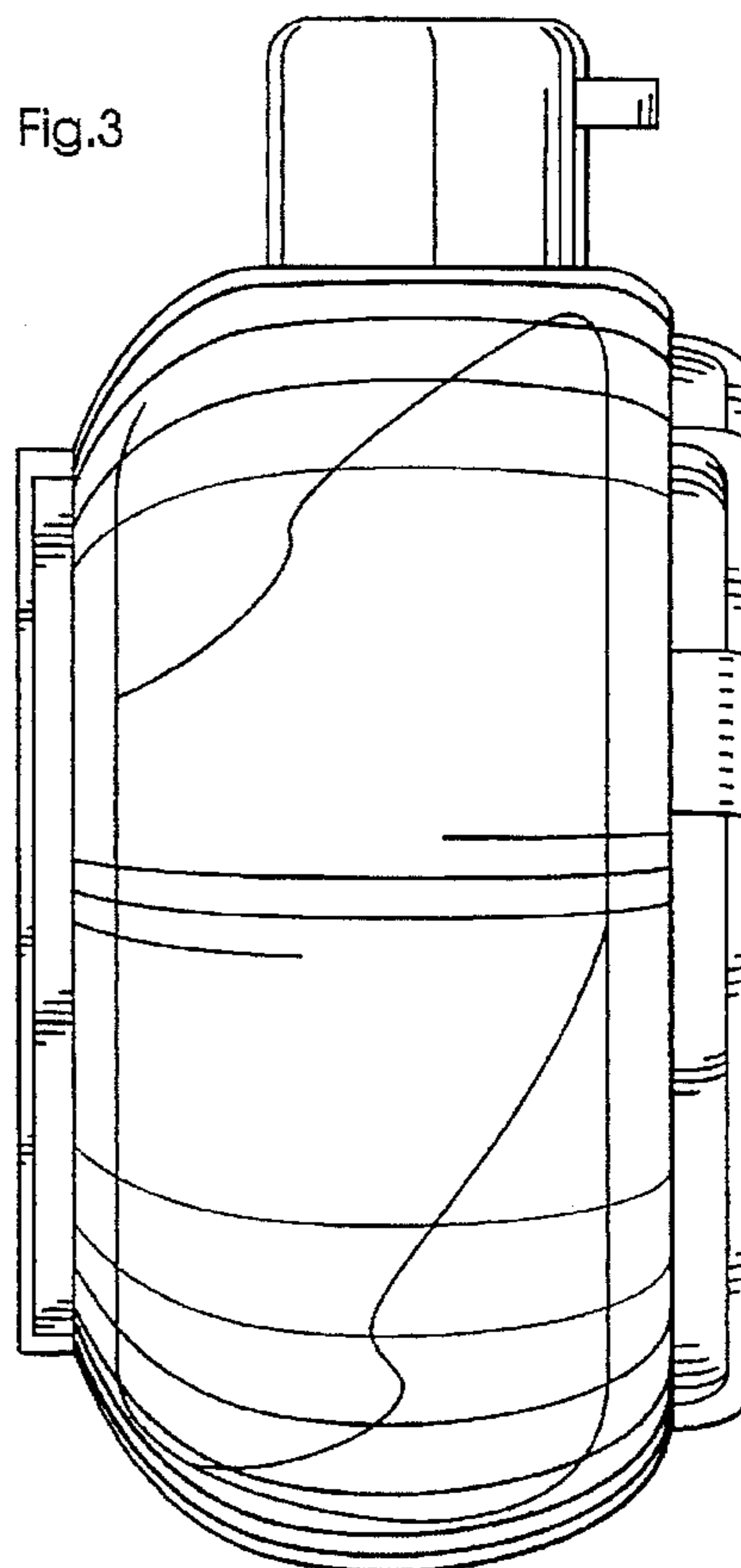


Fig.4

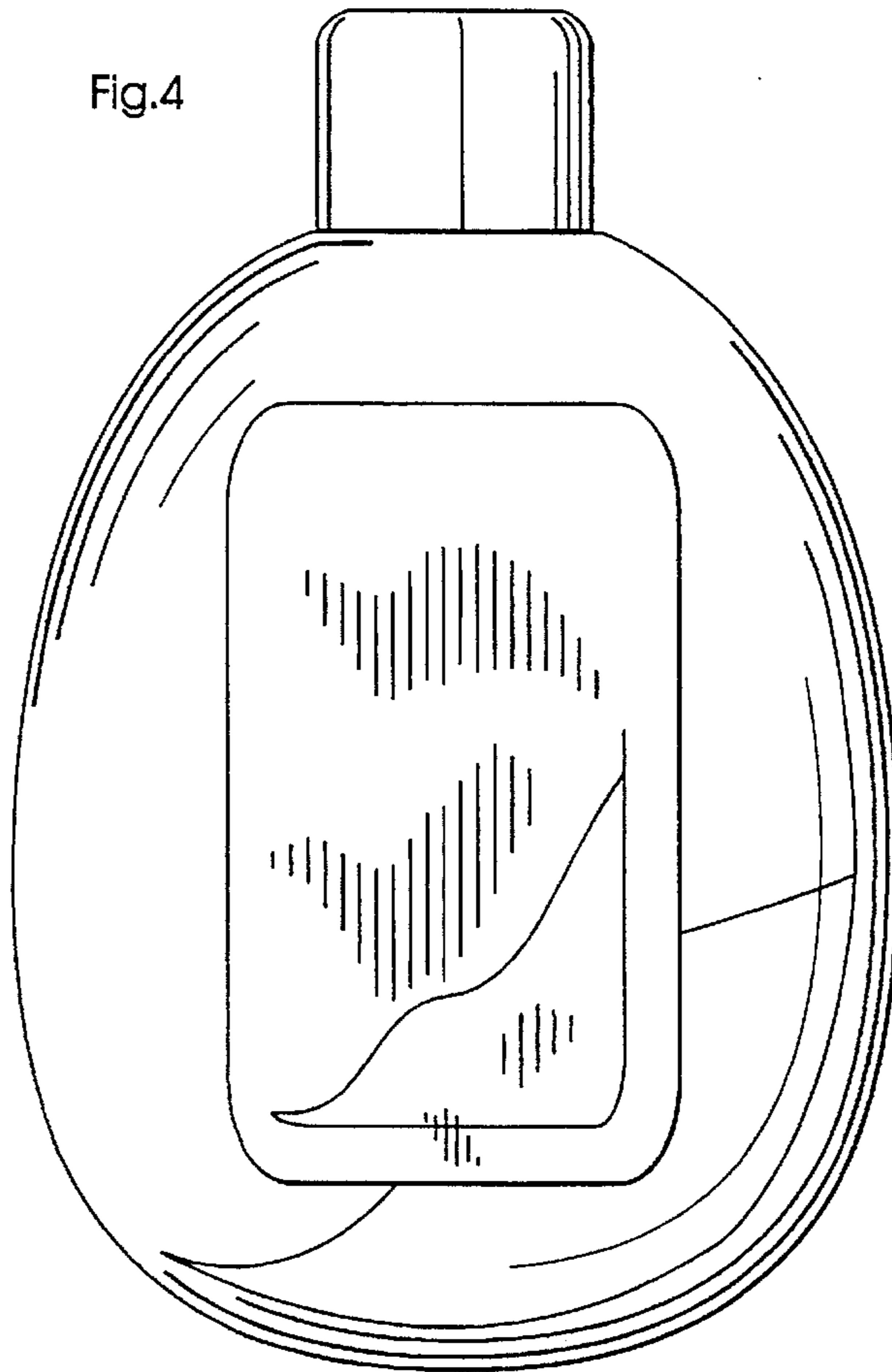


Fig.5

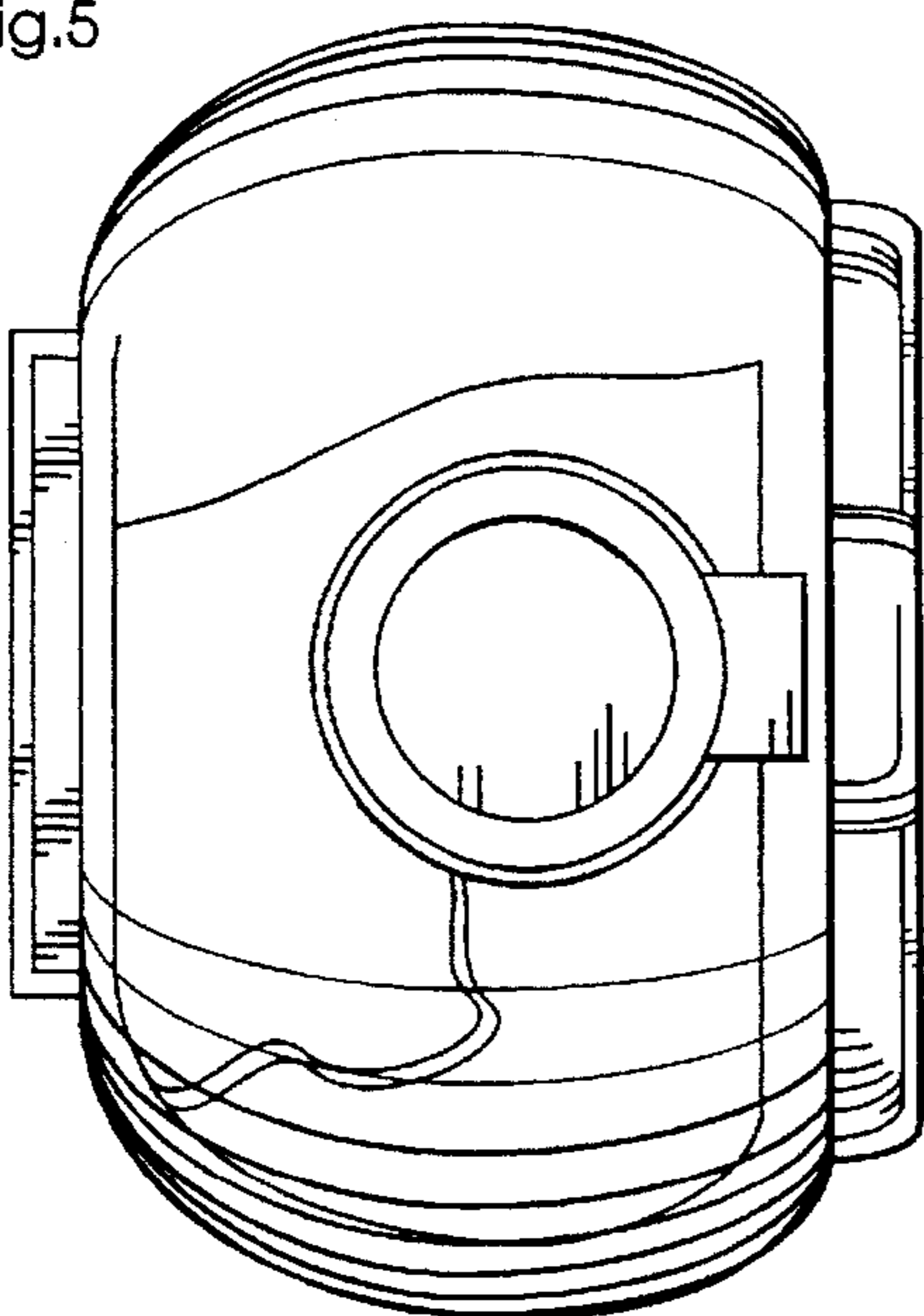


Fig.6

