



US00D383058S

United States Patent [19]

[11] Patent Number: **Des. 383,058**

Riley et al.

[45] Date of Patent: ****Sep. 2, 1997**

[54] **STABILIZING DEVICE FOR USE WITH SLIPCOVERS**

4,712,695 12/1987 Cheng D25/123 X
5,248,542 9/1993 Hinzpeter et al. 49/489.1 X

[75] Inventors: **Paula Riley**, New York; **Kenneth V. Stevens**, Brooklyn, both of N.Y.

FOREIGN PATENT DOCUMENTS

A077125 12/1961 France 24/462
807469 1/1959 United Kingdom 49/489.1

[73] Assignee: **Prescient Partners, L.P.**, New York, N.Y.

OTHER PUBLICATIONS

[**] Term: **14 Years**

B & T Metal Trims Chromedge, B & T Floor Co Cat No. 140, C1940: Corner & Cove Trims in third row —Item No. 731.

[21] Appl. No.: **53,911**

“Modern Plastics” Nov. 1957, p. 95: upper left —second extruded form from top, Shown By Arrow.

[22] Filed: **May 1, 1996**

Sheet’s Product Design 1963, p. 2, bottom, second from left: Cove Molding.

Related U.S. Application Data

[63] Continuation-in-part of Ser. No. 39,100, May 17, 1995, Pat. No. Des. 377,899, and Ser. No. 270,057, Jul. 1, 1994, Pat. No. 5,547,249.

Primary Examiner—Ted Shooman
Assistant Examiner—C. Tuttle
Attorney, Agent, or Firm—Notaro & Michlaos

[51] LOC (6) Cl. **08-99**

[57] CLAIM

[52] U.S. Cl. **D8/499; D25/123; D25/125**

The ornamental design for a stabilizing device for use with slipcovers, as shown and described.

[58] Field of Search D25/119, 123, D25/125, 136, 164; D6/491; D8/400, 402, 403, 499; 52/255, 287.1, 716.3, 717.03, 717.05; 49/460, 462, 489.1; 297/229, 226, 225, 228.13; 24/460, 462, 72.5, 304, DIG. 11

DESCRIPTION

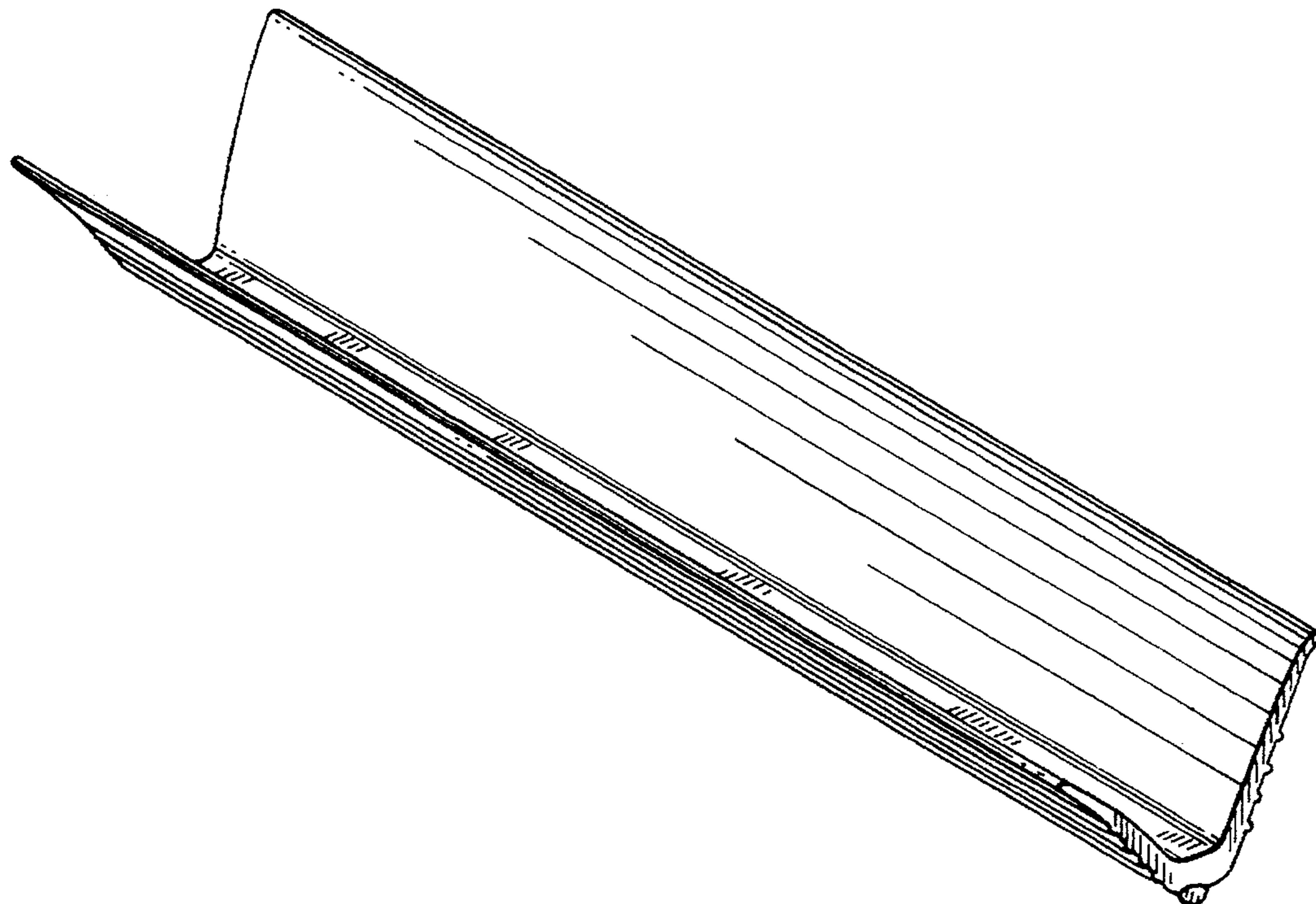
[56] References Cited

U.S. PATENT DOCUMENTS

D. 159,300 7/1950 Schwartz et al. D25/123 X
2,541,768 2/1951 Keller 52/287.1
3,371,702 3/1968 Keegan et al. 160/392
4,191,361 3/1980 Jensen 24/460 X
4,660,323 4/1987 Kanies 292/343 X

FIG. 1 is a top, front, right perspective view of a stabilizing device showing our new design;
FIG. 2 is a rear elevational view thereof;
FIG. 3 is a left side elevational view thereof, the right side being identical;
FIG. 4 is a bottom plan view thereof; and,
FIG. 5 is a top plan view.

1 Claim, 2 Drawing Sheets



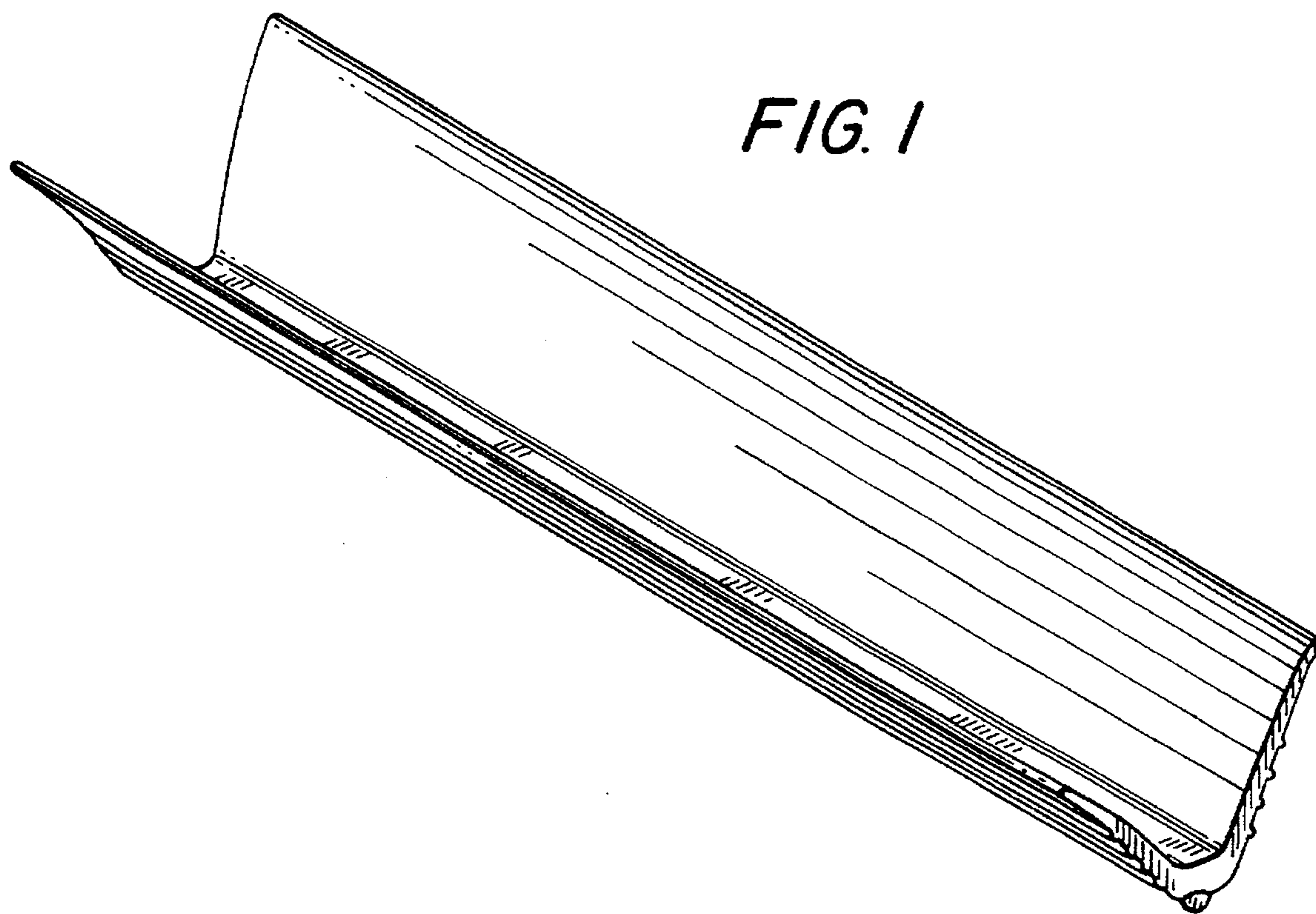


FIG. 1

FIG. 2

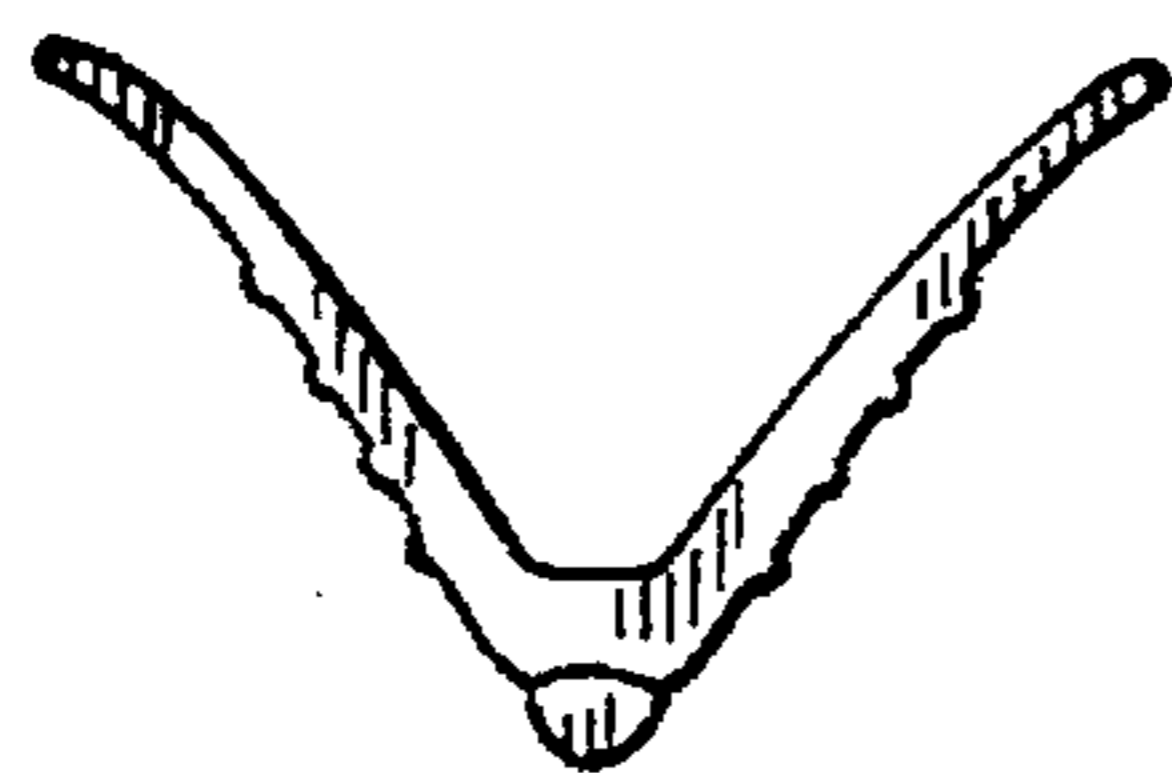


FIG. 3

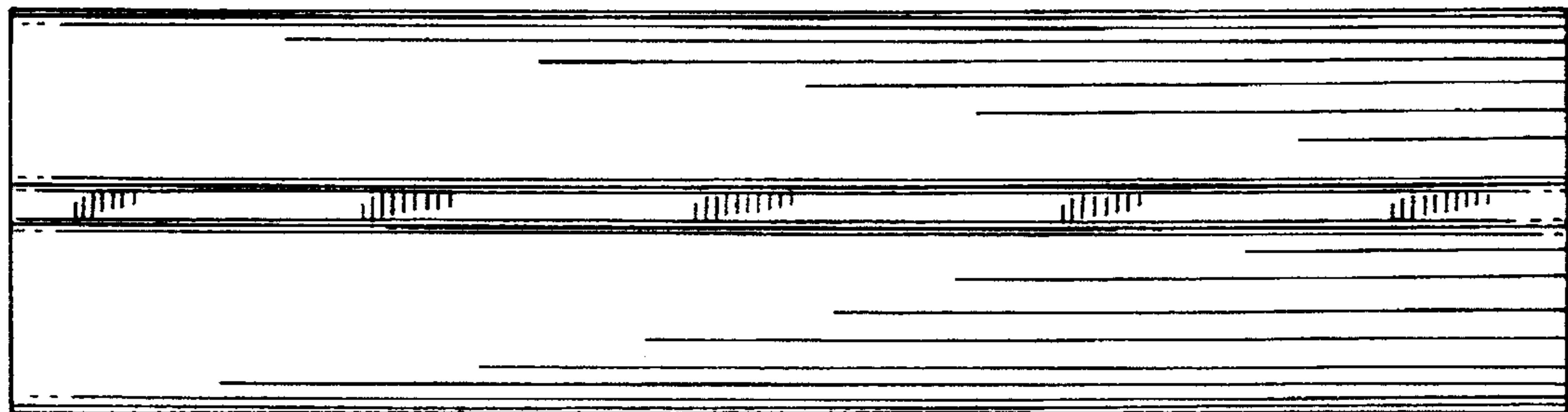
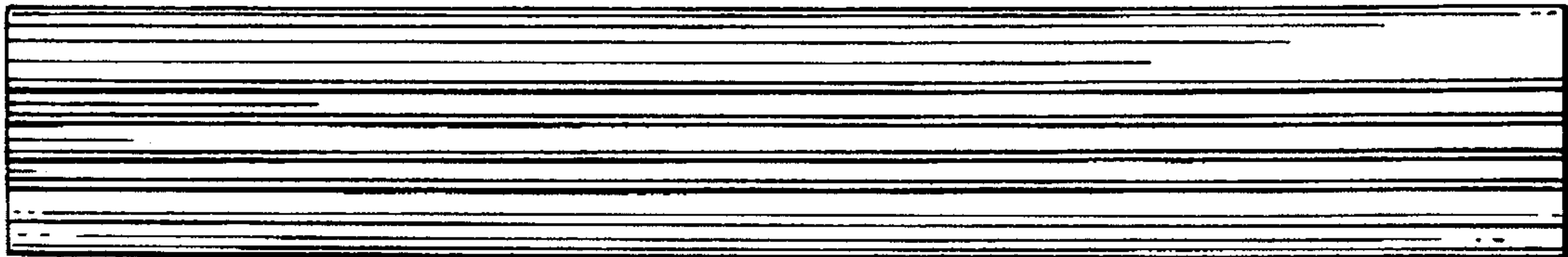


FIG. 4

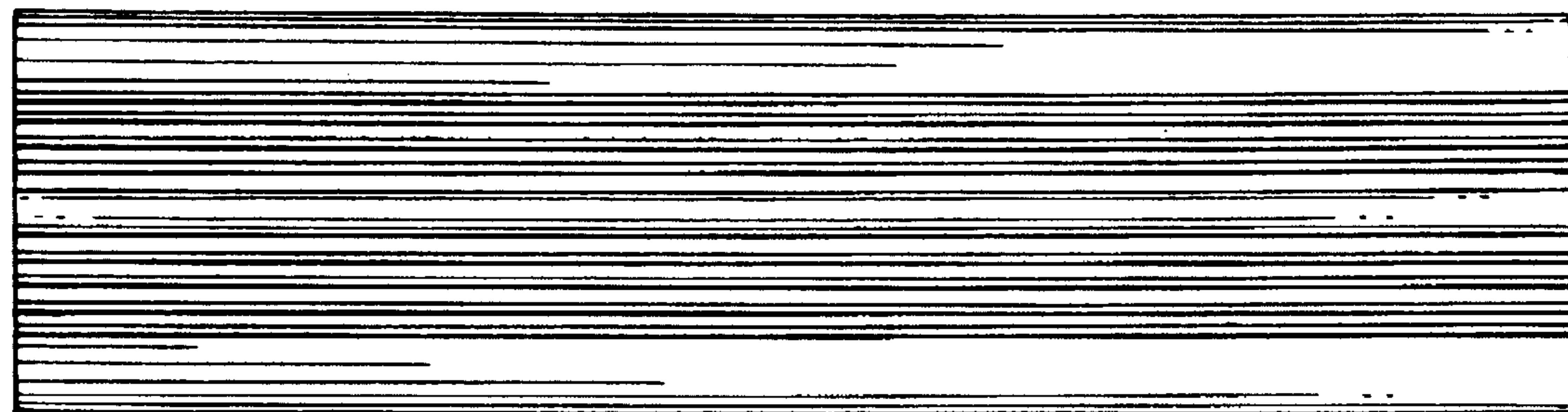


FIG. 5