



US00D383057S

United States Patent [19]

[11] Patent Number: **Des. 383,057**

Davies et al.

[45] Date of Patent: ****Sep. 2, 1997**

[54] **CARRIER**

4,571,885	2/1986	Uemura et al.	49/177
4,592,168	6/1986	Struckmeyer	49/177
5,289,656	3/1994	Vetter	49/261 X
5,542,213	8/1996	Freeman	49/221

[75] Inventors: **John Robert Davies; Sean James Davies**, both of Vaughan, Canada

[73] Assignee: **420820 Ontario Limited**, Vaughan, Canada

FOREIGN PATENT DOCUMENTS

739879	11/1932	France	16/98
430486	8/1967	Switzerland	16/97

[**] Term: **14 Years**

Primary Examiner—Philip S. Hyder
Assistant Examiner—C. Tuttle
Attorney, Agent, or Firm—Neil H. Hughes; Ivor M. Hughes; Marcelo K. Sarkis

[21] Appl. No.: **46,153**

[22] Filed: **Nov. 8, 1995**

[51] **LOC (6) Cl.** **08-09**

[57] **CLAIM**

[52] **U.S. Cl.** **D8/400**

The ornamental design for a carrier, as shown and described.

[58] **Field of Search** D8/400, 373, 499, D8/377, 380; D34/29; 16/213, 195, 95 R, 97-107; 49/250, 260, 261, 177-178, 125-130, 362, 425; 160/168.1 R, 168.1 V, 178.1 R, 178.1 V; 403/298, 359

DESCRIPTION

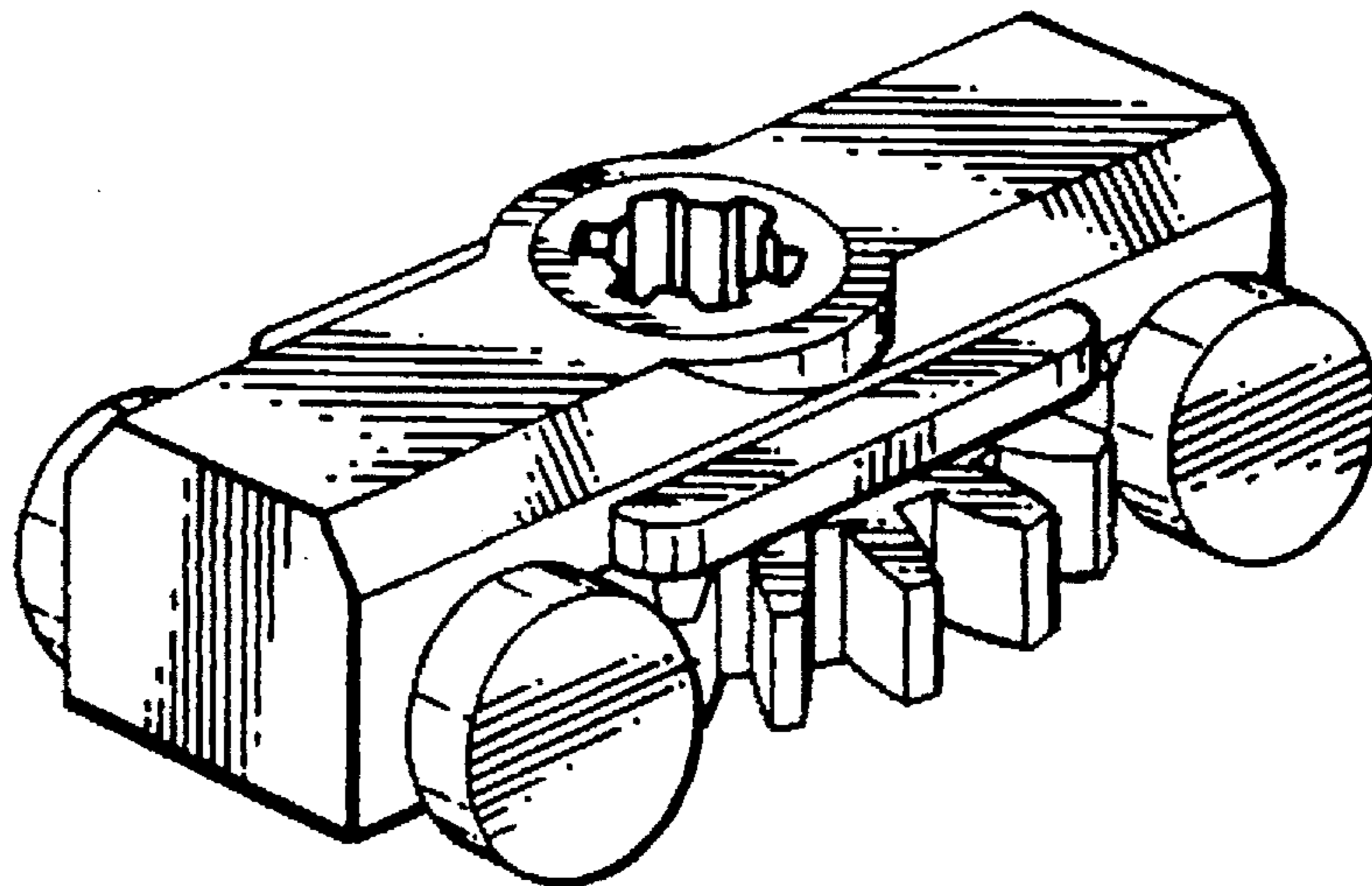
FIG. 1 is a perspective view of the carrier embodying our design;
FIG. 2 is an top view of the carrier;
FIG. 3 is a side view of the carrier, the side opposite appearing the same;
FIG. 4 is a bottom view of the carrier;
FIG. 5 is an end view of the carrier, the side opposite appearing the same; and,
FIG. 6 is an exploded perspective view of the carrier.

[56] References Cited

U.S. PATENT DOCUMENTS

D. 278,794	5/1985	Vater	D8/377
1,472,457	10/1923	Brown	49/177 X
3,027,606	4/1962	Nicklas	49/260
3,193,871	7/1965	Foltz	16/105
3,237,238	3/1966	Anderson	49/425 X

1 Claim, 2 Drawing Sheets



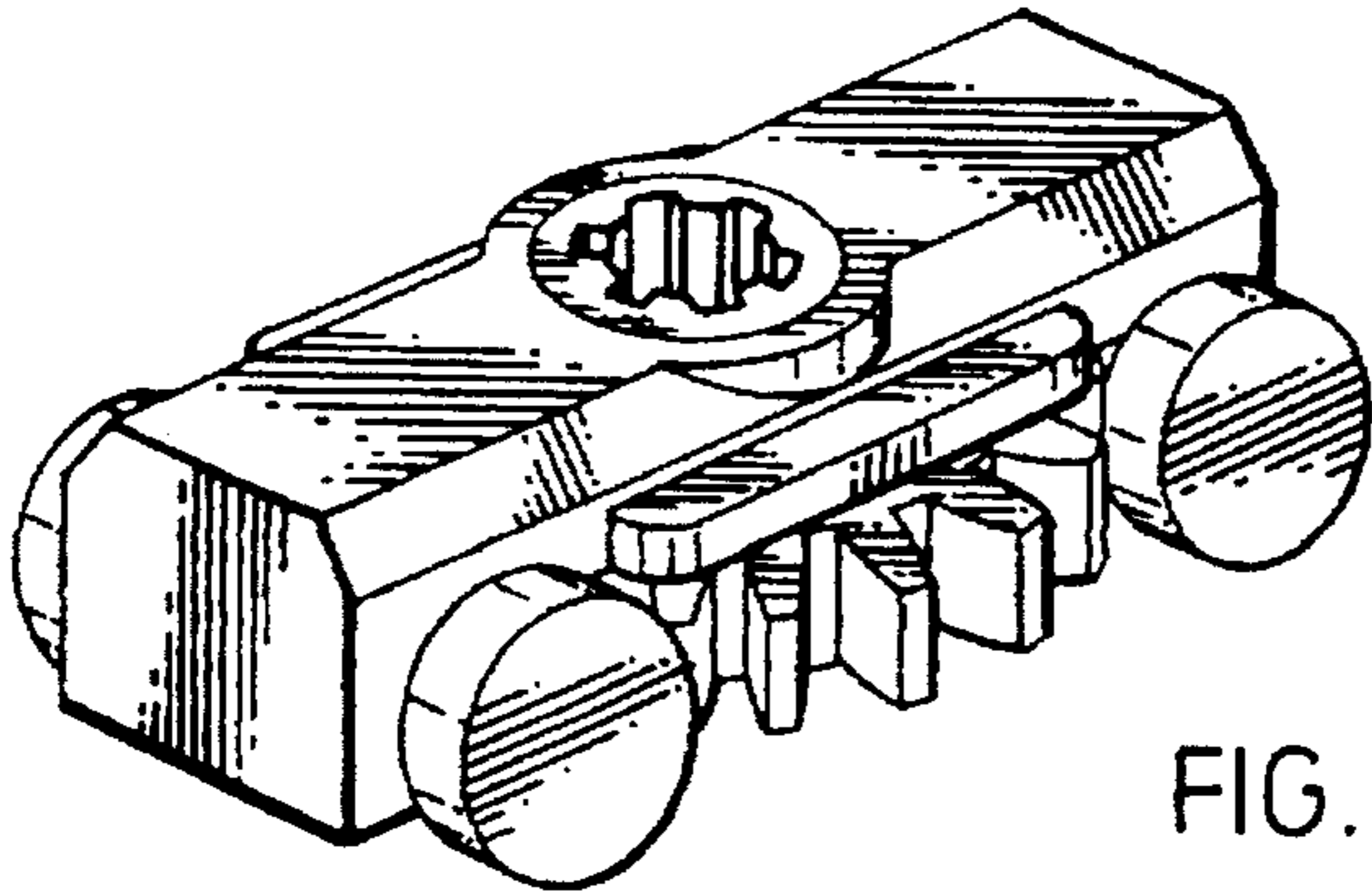


FIG. 1.

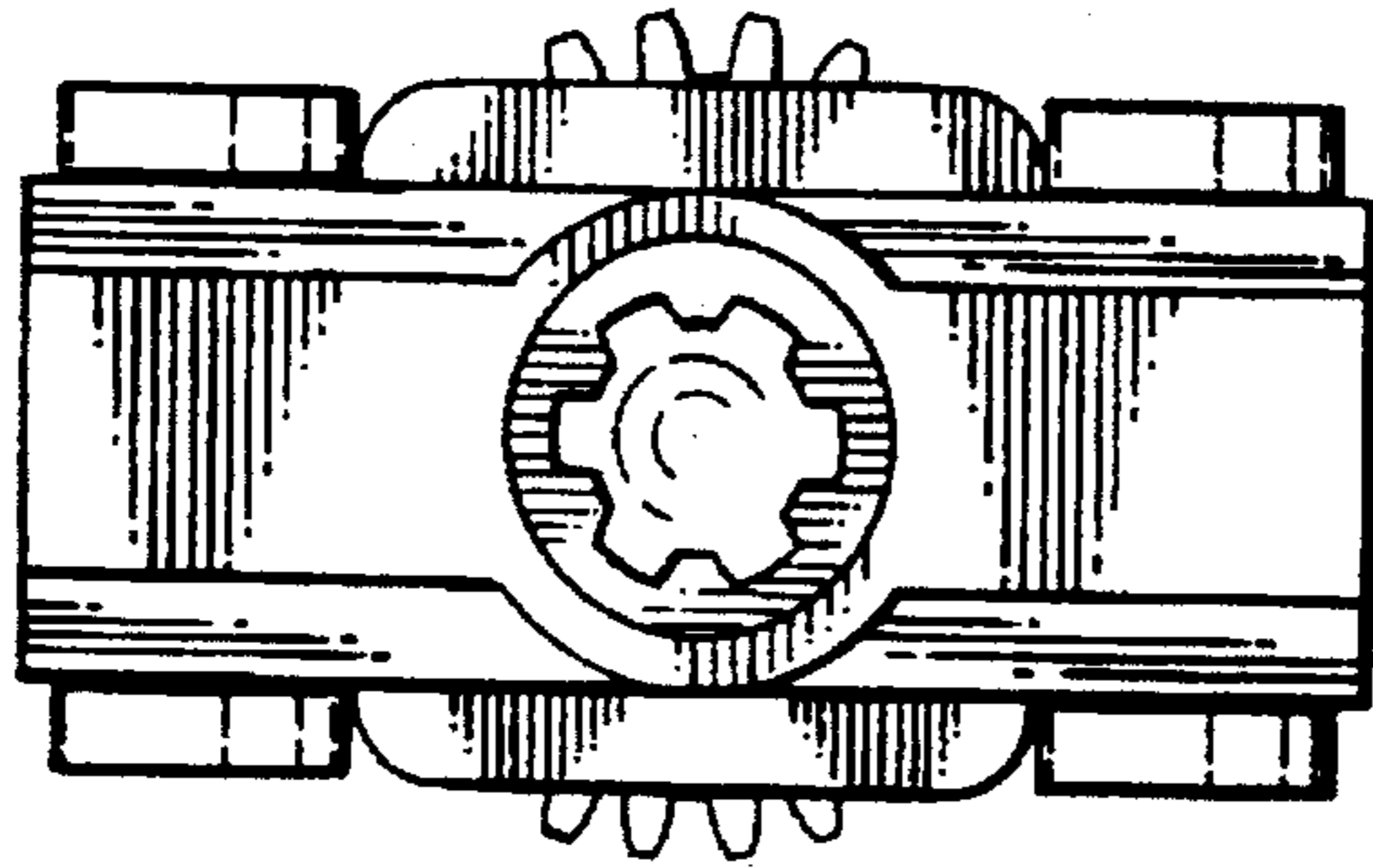


FIG. 2.

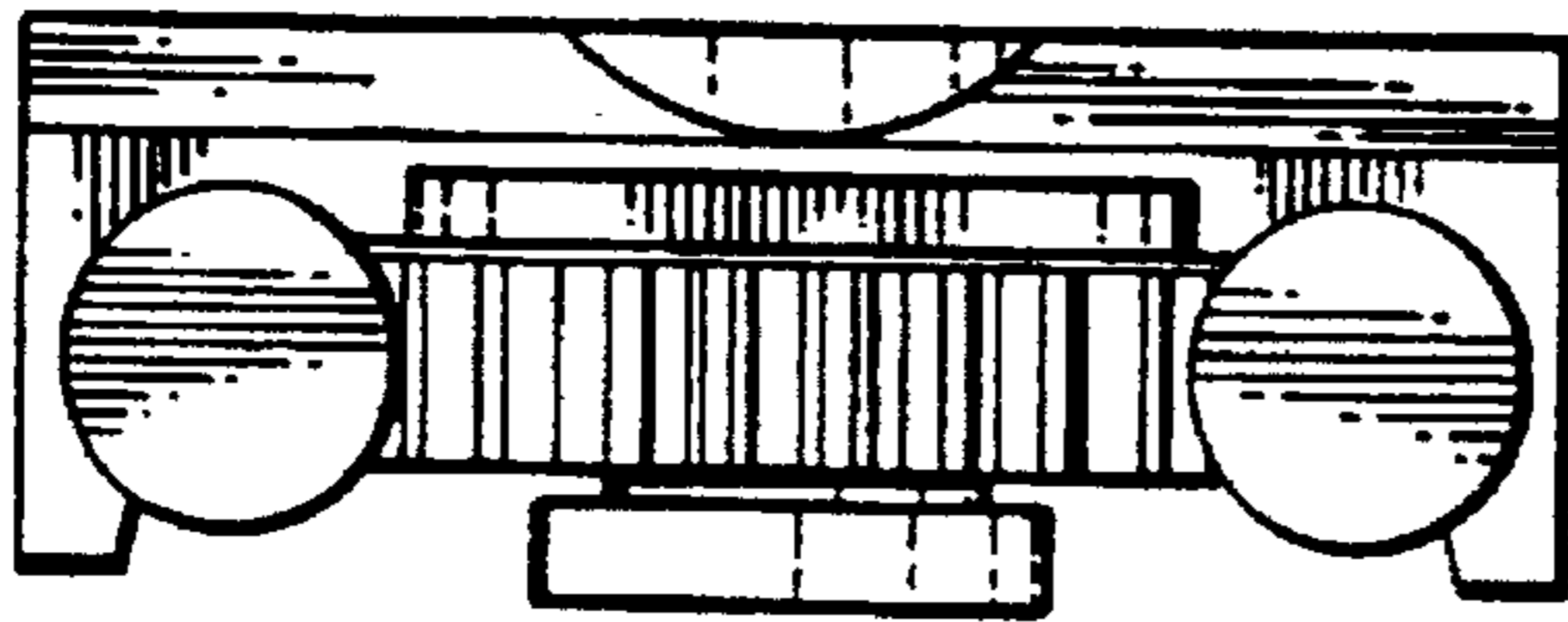


FIG. 3.

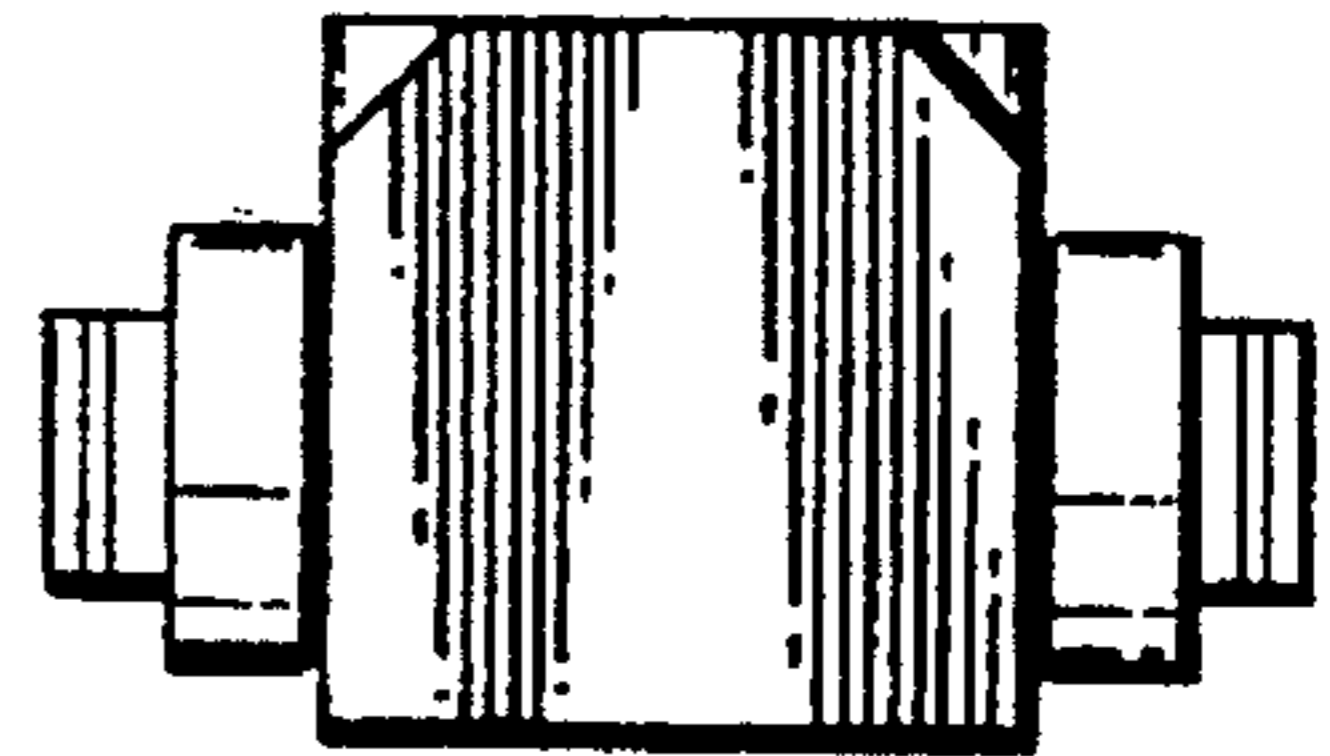


FIG. 5.

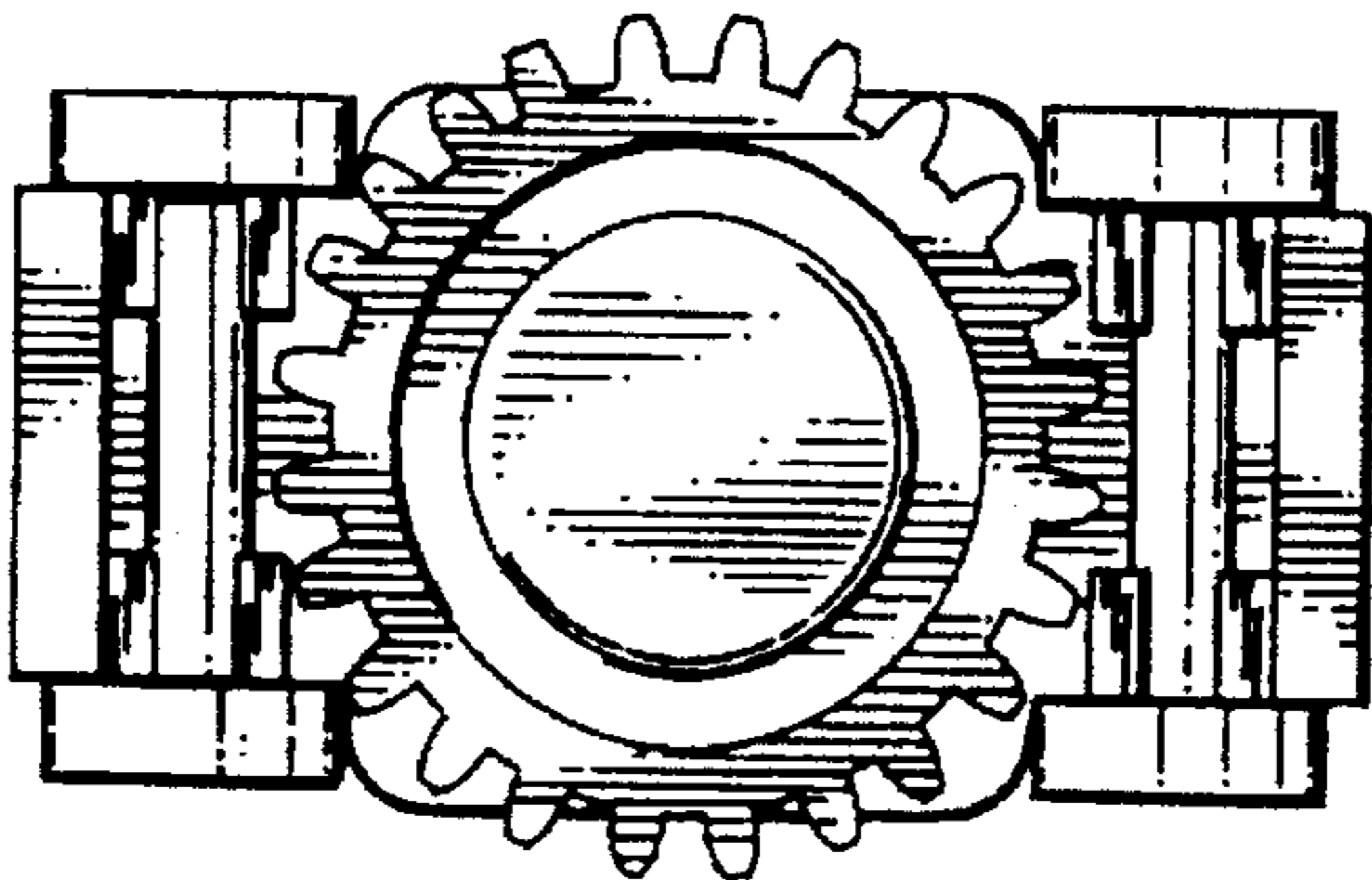


FIG. 4.

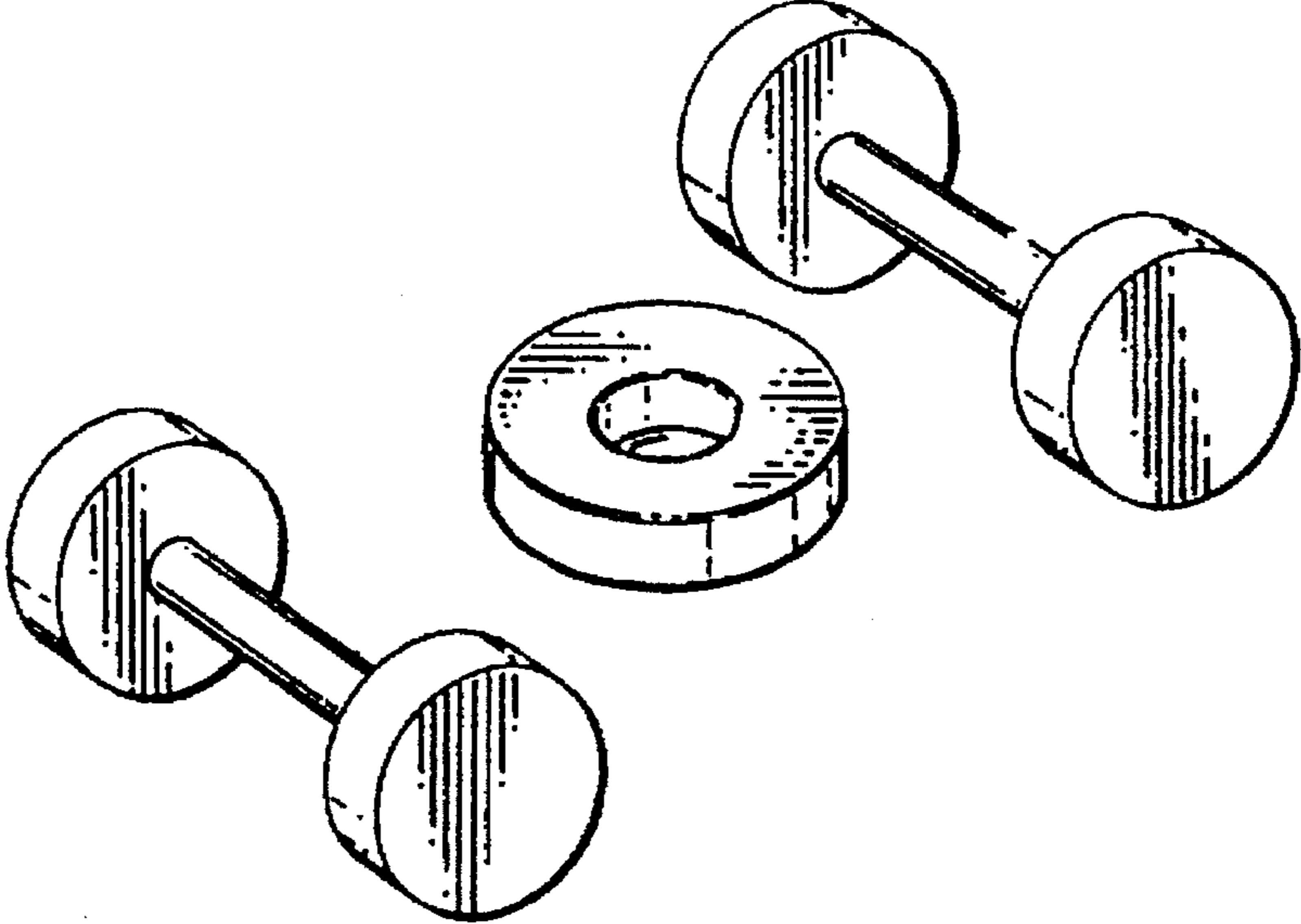
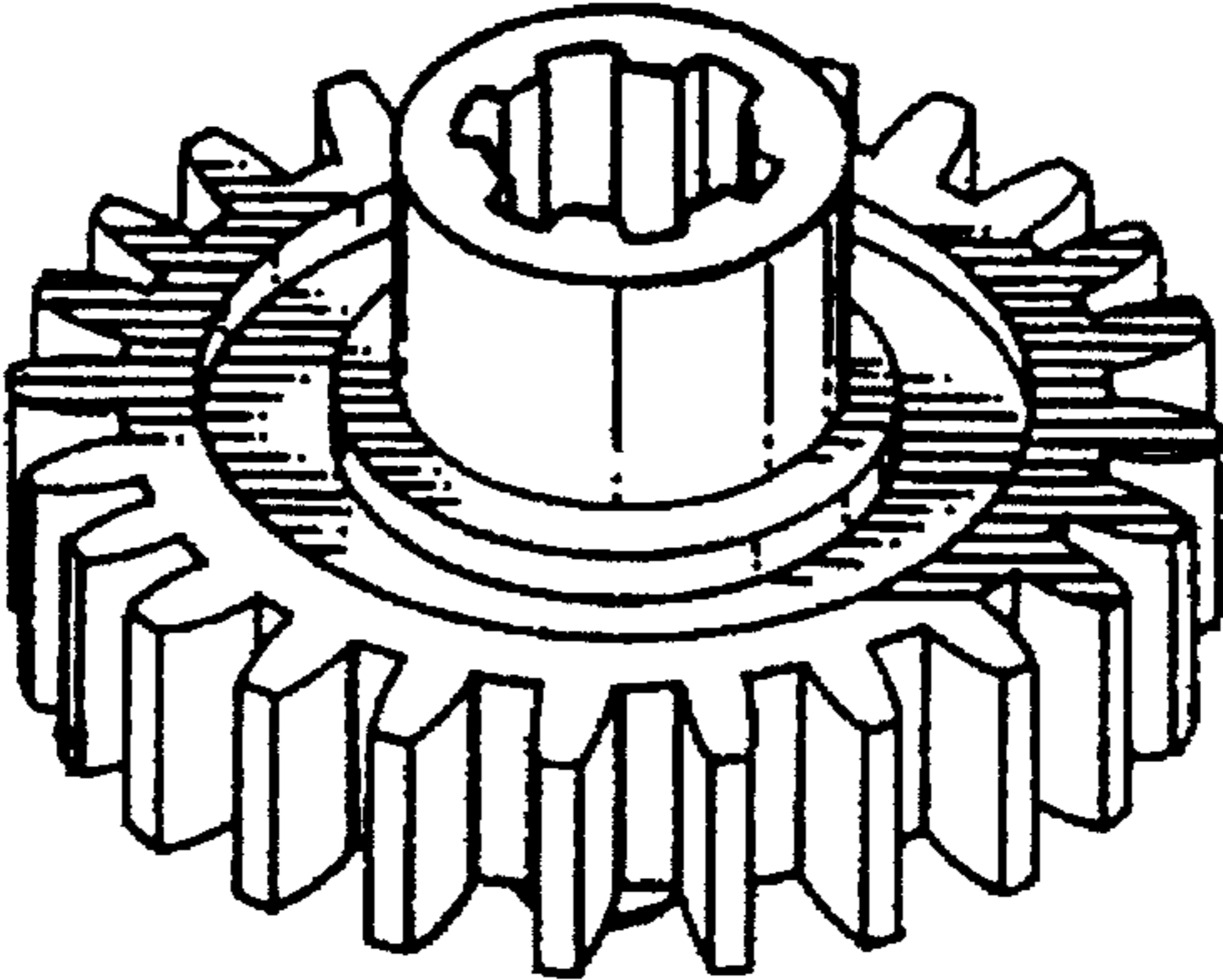
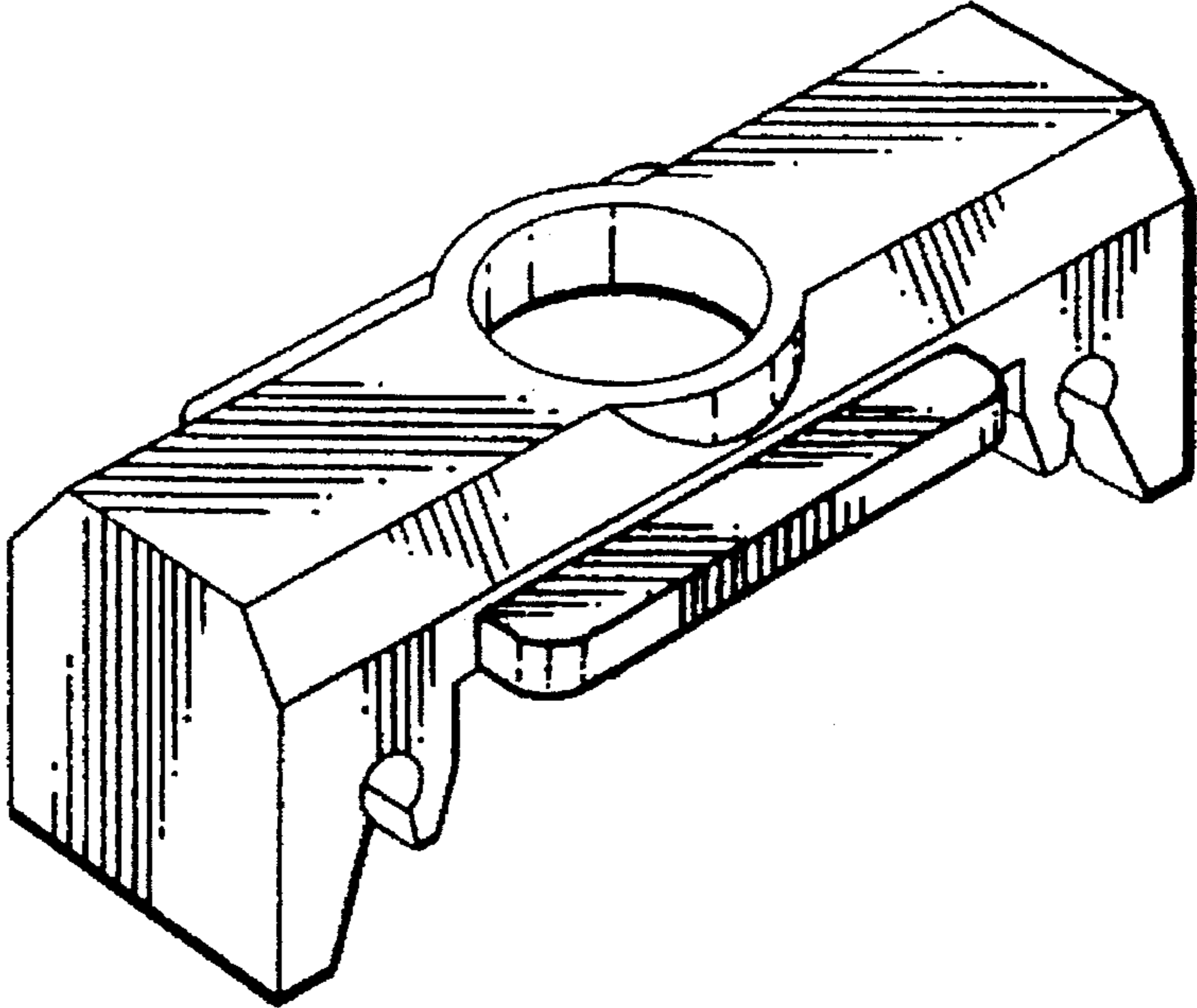


FIG. 6.