



US00D383056S

United States Patent [19]

Murakami

[11] Patent Number: **Des. 383,056**

[45] Date of Patent: ****Sep. 2, 1997**

- [54] **PARTITION HOLDER FOR RACK**
- [75] Inventor: **Takeyasu Murakami**, Shizuoka, Japan
- [73] Assignee: **Yazaki Industrial Chemical Co., Ltd.**,
Shizuoka, Japan
- [**] Term: **14 Years**
- [21] Appl. No.: **21,309**
- [22] Filed: **Apr. 12, 1994**
- [51] LOC (6) Cl. **08-08**
- [52] U.S. Cl. **D8/396**
- [58] **Field of Search** D8/396, 382; 24/343,
24/335, 326, 350, 339; 248/231.7, 227,
229, 230, 74.1; 403/388, 400, 389, 391

- 4,903,929 2/1990 Hoffman 248/231.7 X
- 4,932,497 6/1990 Raso 248/231.7 X
- 5,160,106 11/1992 Monick 248/74.1 X
- 5,388,359 2/1995 Dewitt 248/231.7 X

Primary Examiner—Ted Shooman
Assistant Examiner—Paula Mortimer
Attorney, Agent, or Firm—Smith-Hill and Bedell

[57] CLAIM

The ornamental design for partition holder for rack, as shown and described.

DESCRIPTION

FIG. 1 is a perspective view of partition holder for rack showing my new design;
 FIG. 2 is a front elevational view thereof;
 FIG. 3 is a top plan view thereof;
 FIG. 4 is a bottom end view thereof;
 FIG. 5 is a right side elevational view thereof;
 FIG. 6 is a left side elevational view thereof; and,
 FIG. 7 is a side perspective view thereof, the broken line showing of the rack members are for illustrative purposes only and form no part of the claimed design; and,
 FIG. 8 is a side perspective view thereof.

[56] References Cited

U.S. PATENT DOCUMENTS

- | | | | | | |
|------------|--------|--------------|-------|-----------|---|
| D. 247,420 | 3/1978 | Reynolds | | D8/396 | X |
| 1,987,826 | 1/1935 | Heumann | | 248/229 | X |
| 2,461,071 | 2/1949 | Mettenletter | | 248/227 | |
| 2,605,136 | 7/1952 | Kline et al. | | 24/339 | X |
| 2,628,051 | 2/1953 | Anderson | | 248/231.7 | |
| 2,638,301 | 5/1953 | Smith | | 248/229 | |
| 3,374,980 | 3/1968 | Chovan | | 248/229 | |

1 Claim, 3 Drawing Sheets

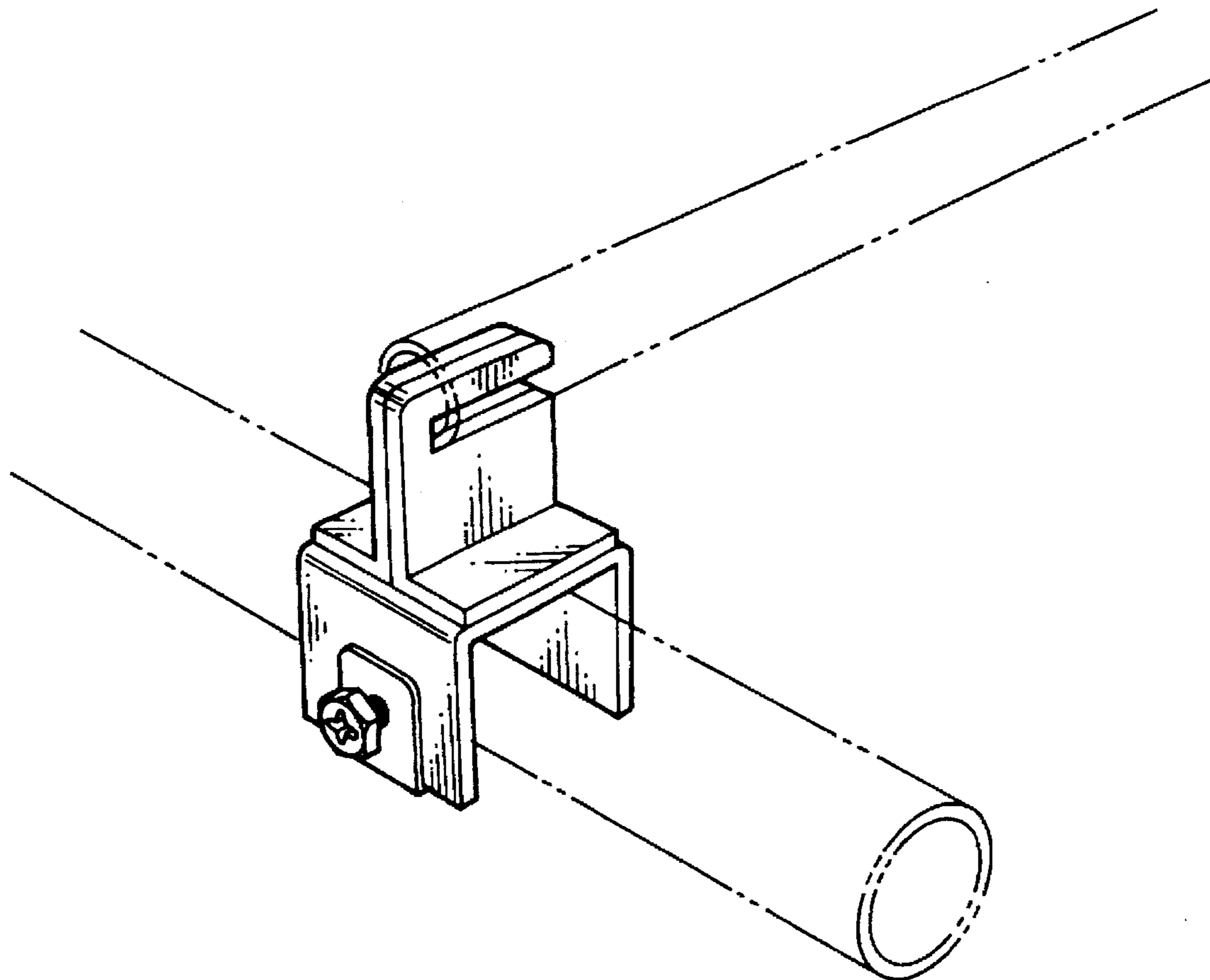


FIG. 1

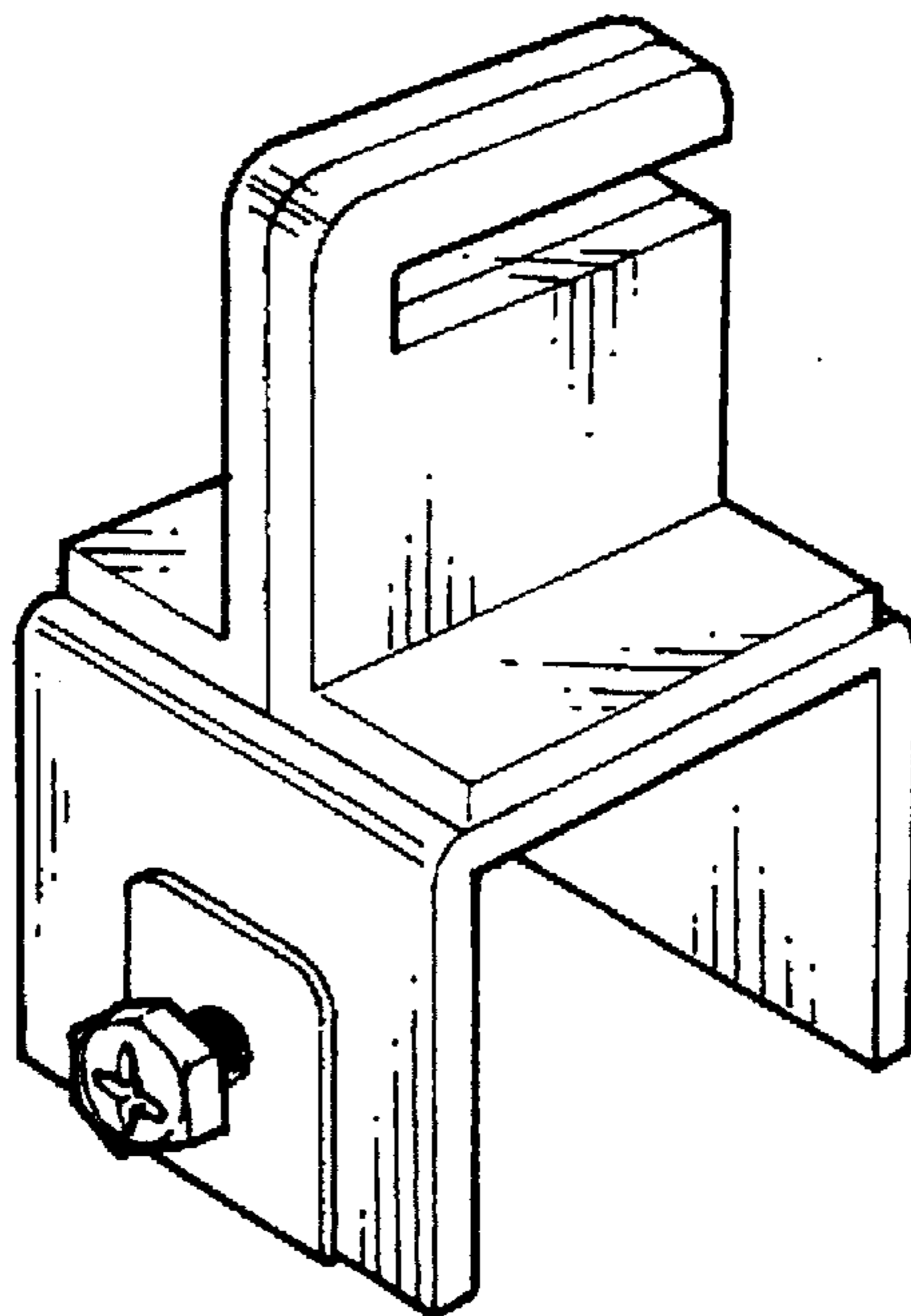


FIG. 2

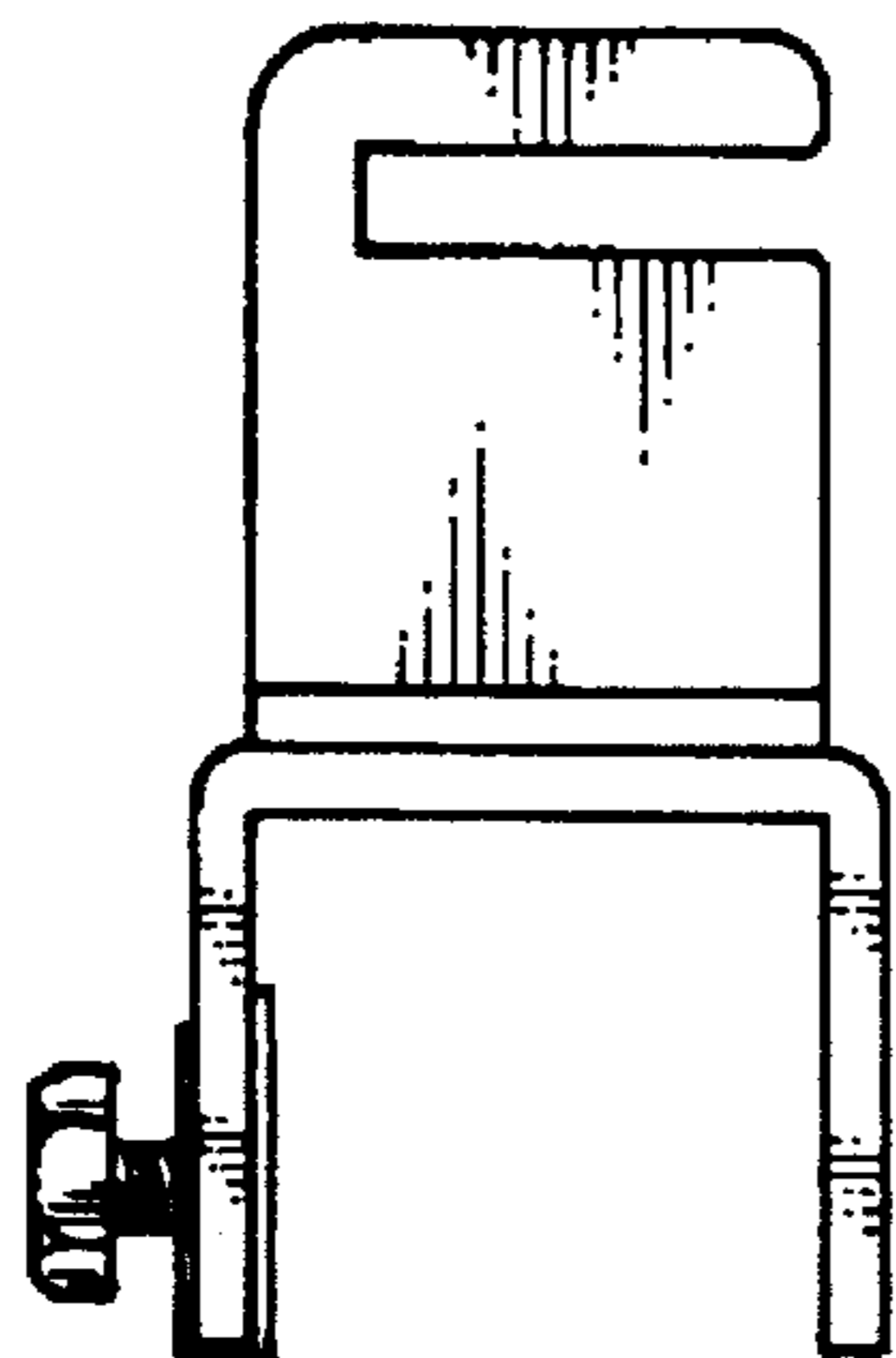


FIG. 5

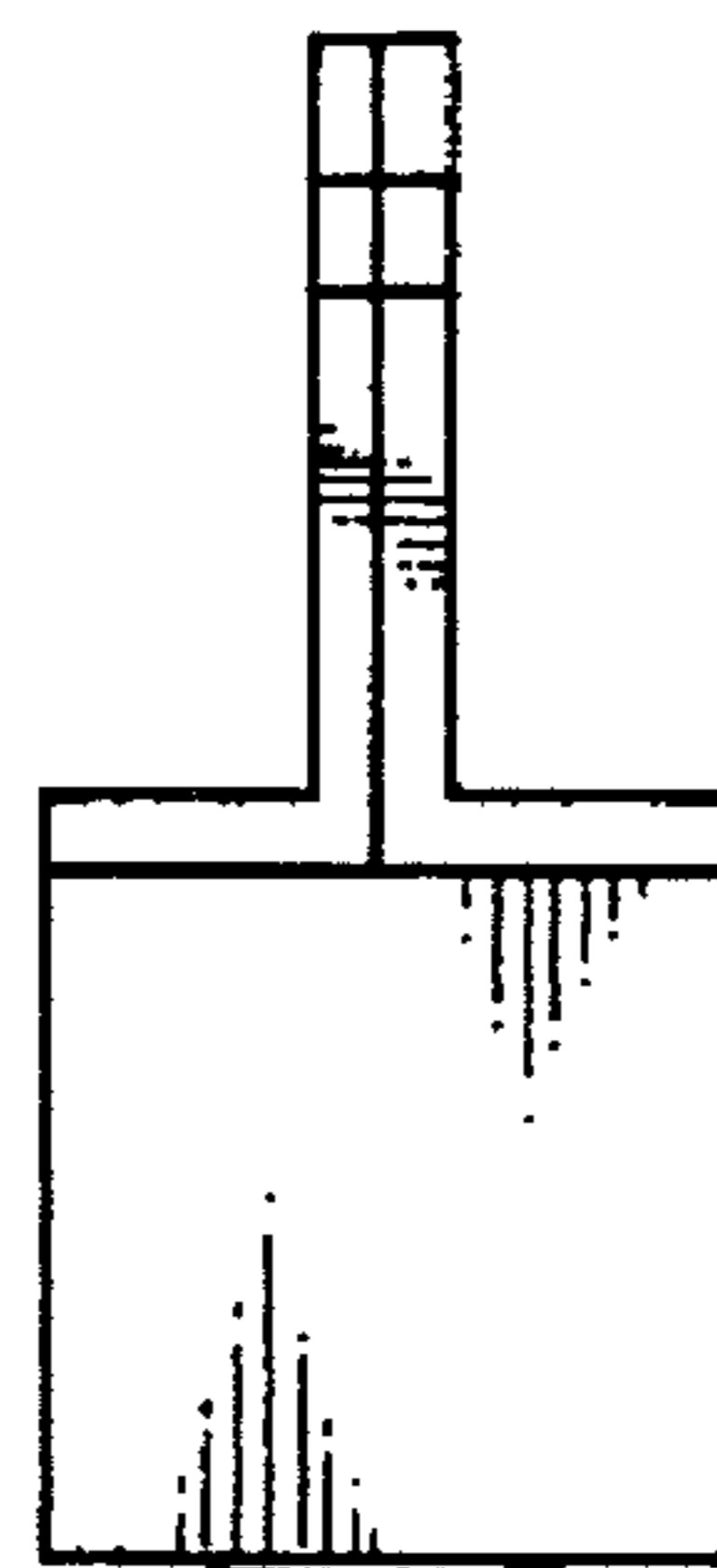


FIG. 6

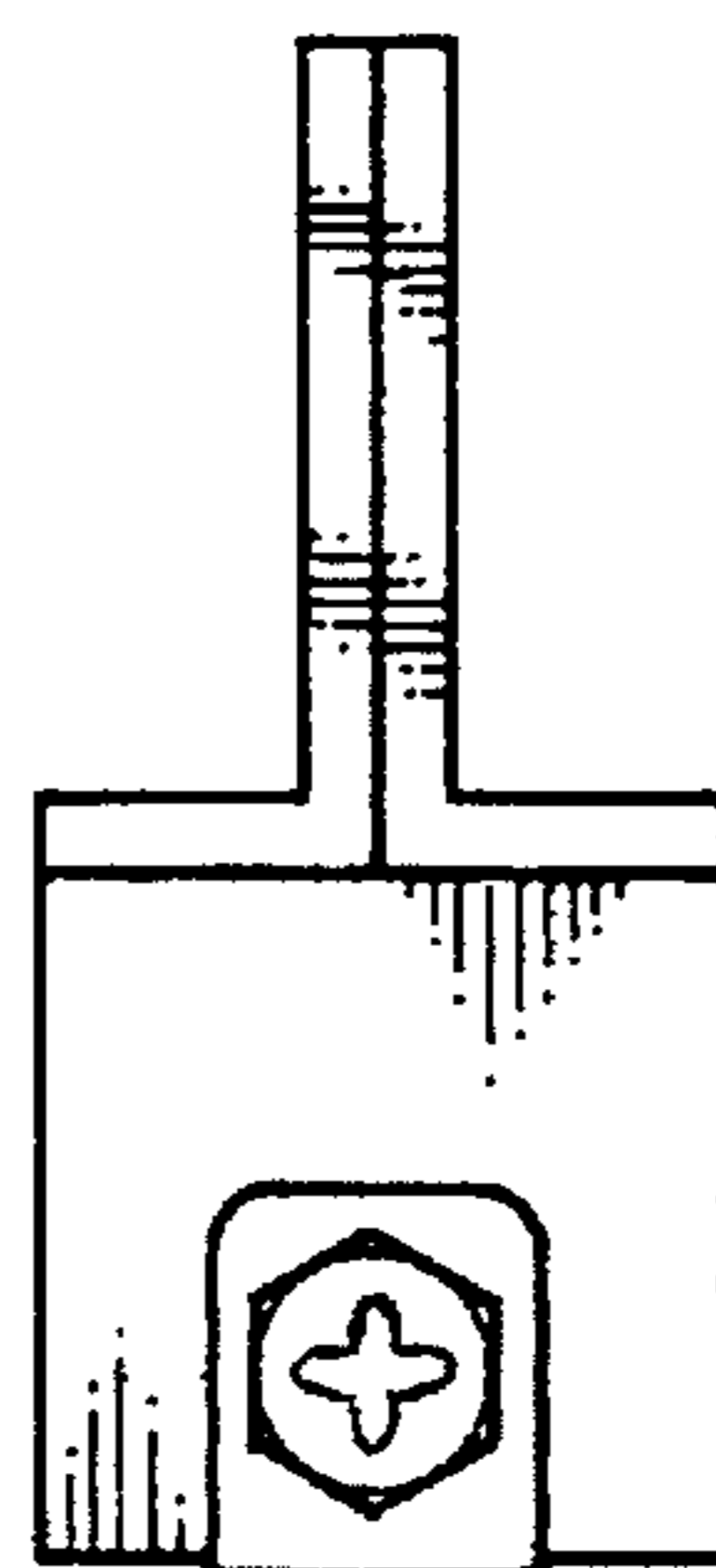


FIG. 3

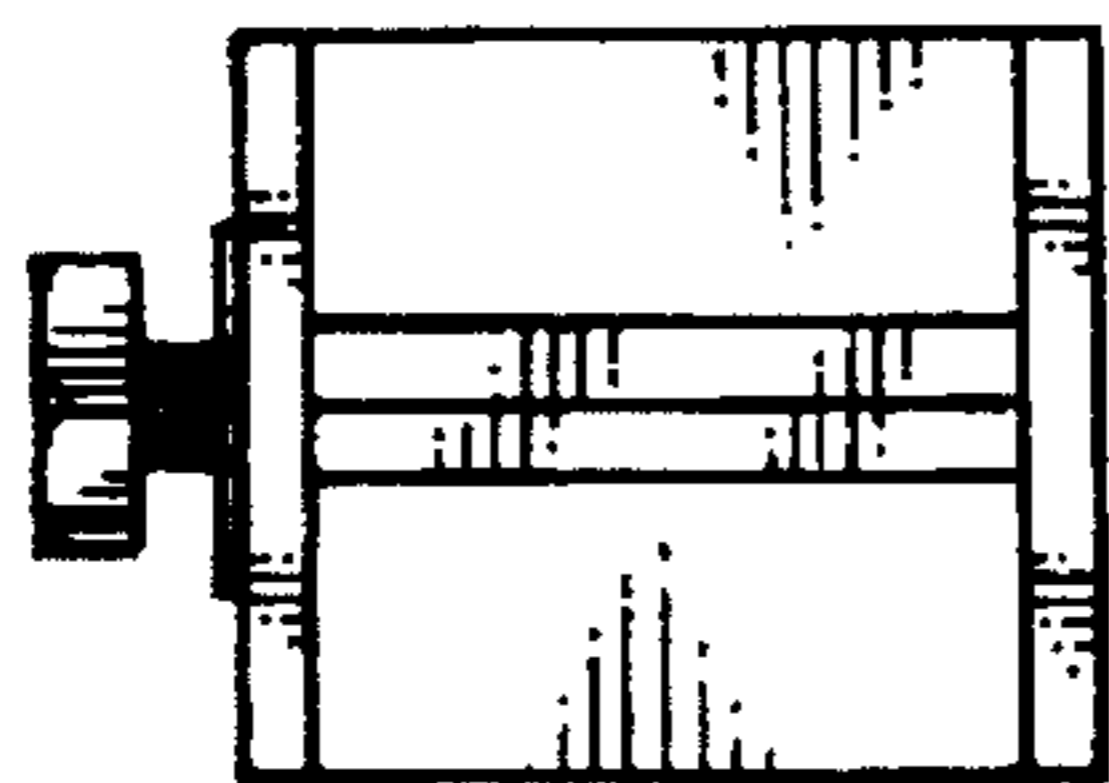


FIG. 4

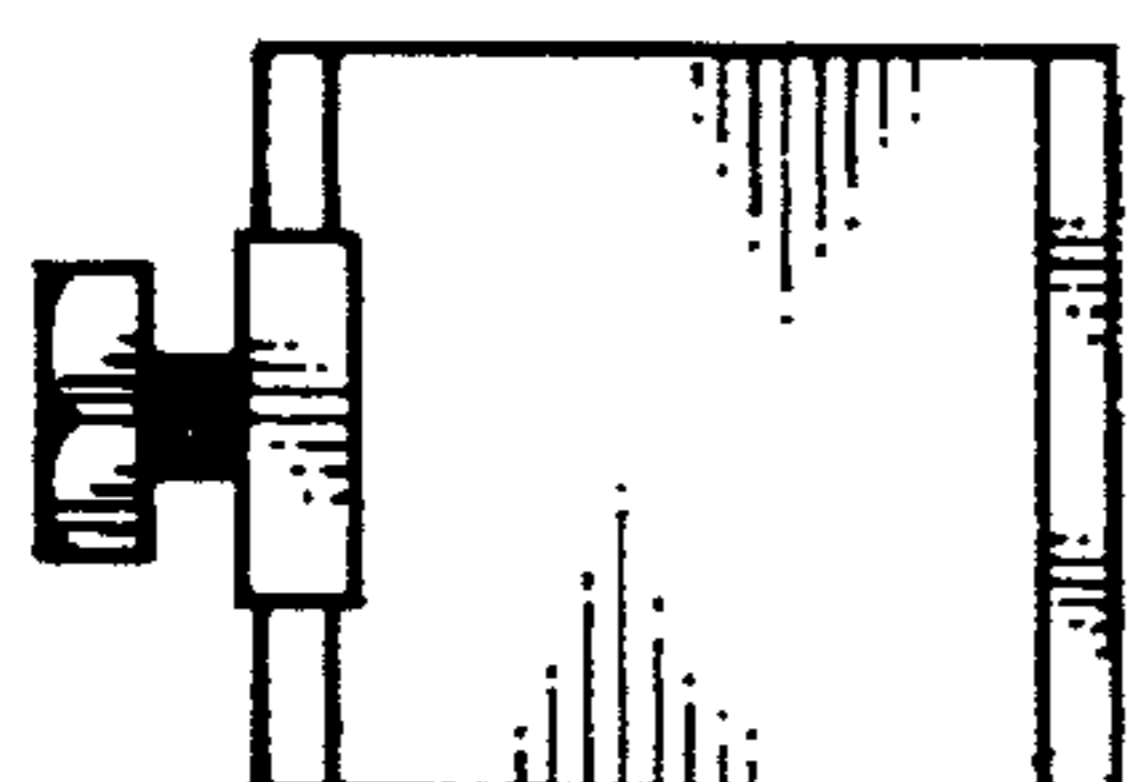


FIG. 7

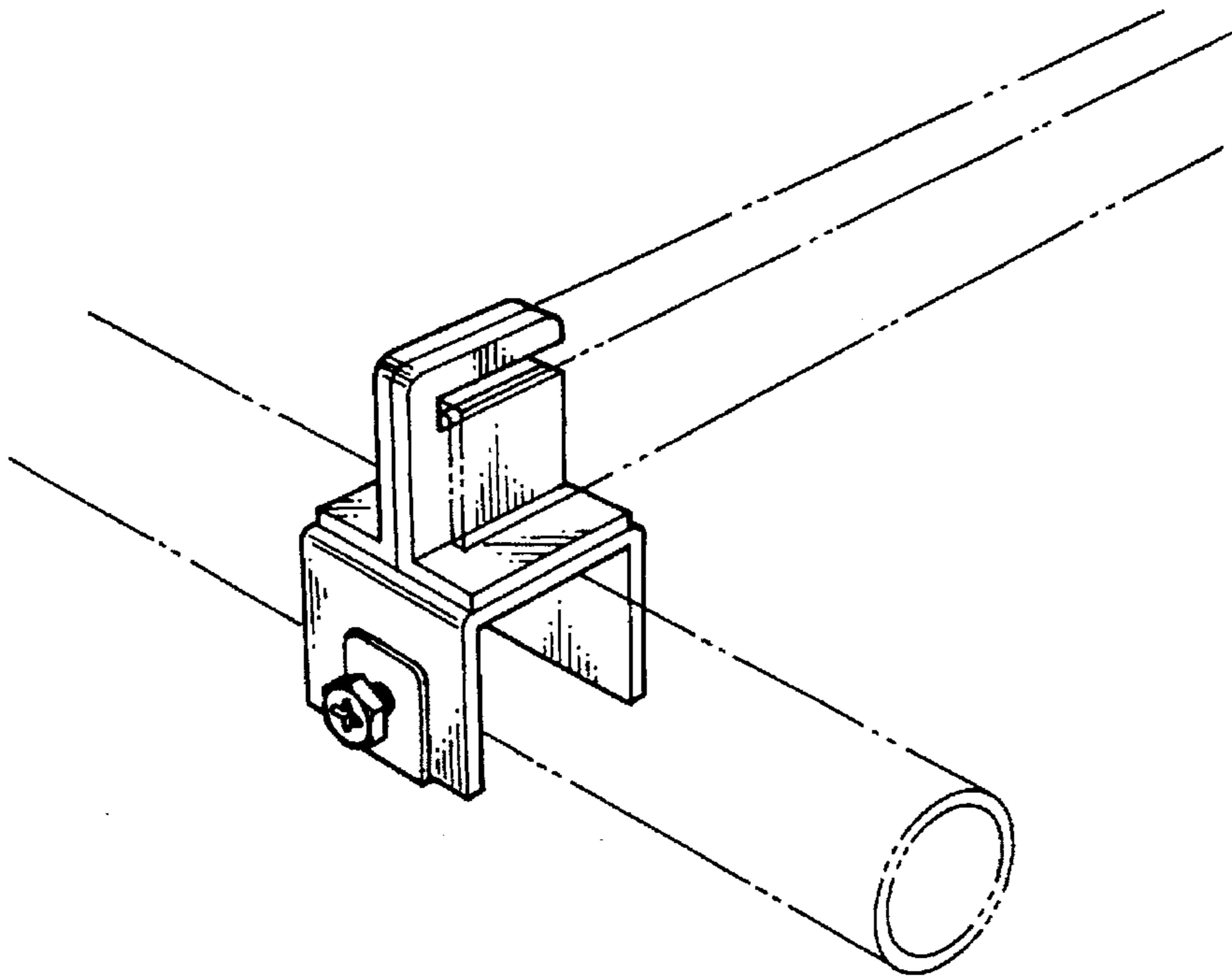


FIG. 8

