



US00D383053S

United States Patent [19]

[11] Patent Number: **Des. 383,053**

Schrader et al.

[45] Date of Patent: ****Sep. 2, 1997**

[54] **TAPERED SOCKET WELDED COUPLING**

[75] Inventors: **Robert S. Schrader**, Dallas; **James L. Snyder**, Houston; **James Phillip Ellenberger**, Spring; **James W. Magee**, Houston; **Peter J. Badley**, Houston; **Joe A. Escobedo**, Houston; **Daniel T. Gutierrez**, Houston; **Williams E. Goussen**, Houston, all of Tex.

2,109,915	3/1938	Watts .	
2,328,298	8/1943	Santhoff	285/341 X
2,355,871	8/1944	Kraft	285/341
2,701,149	2/1955	Kreidel et al.	285/341 X
3,254,909	6/1966	Ver Nboy .	
3,667,783	6/1972	Sotolongo	285/341 X
4,438,955	3/1984	Ryan .	
4,450,613	5/1984	Ryan et al. .	

FOREIGN PATENT DOCUMENTS

1188438	10/1985	U.S.S.R.	285/341
510509	8/1939	United Kingdom	285/341

OTHER PUBLICATIONS

European Products "Promat Weldoflange," Promat Nipoflange, and Promat Reinforced Nipoflange, pp. 25-30 (date not provided).
WFI Spec. Sheet Therma-Connections, p. 34, Sep., 1980.
WFI International, Inc., Forged Piping and Vessel Components Catalog, 1987.

Primary Examiner—Lucy Lieberman
Attorney, Agent, or Firm—Pravel, Hewitt, Kimball & Krieger

[57] **CLAIM**

The ornamental design for a tapered socket welded coupling, as shown and described.

DESCRIPTION

FIG. 1 is a rear perspective view of a welding coupling showing our new design;
FIG. 2 is a rear perspective view thereof;
FIG. 3 is a bottom plan view thereof;
FIG. 4 is a top plan view thereof; and,
FIG. 5 is a side view thereof, the opposite side being identical to this side view.

1 Claim, 1 Drawing Sheet

[73] Assignee: **WFI International, Inc.**, Houston, Tex.

[*] Notice: The portion of the term of this patent subsequent to Sep. 9, 2011, has been disclaimed.

[**] Term: **14 Years**

[21] Appl. No.: **18,520**

[22] Filed: **Feb. 9, 1994**

[51] LOC (6) Cl. **08-08**

[52] U.S. Cl. **D8/382; D23/262**

[58] Field of Search **D23/262, 260, D23/264, 265; D8/382; 285/334.2, 341**

[56] **References Cited**

U.S. PATENT DOCUMENTS

D. 243,456	2/1977	Ryan .	
D. 243,457	2/1977	Ryan .	
D. 254,266	2/1980	Taberious .	
D. 262,397	12/1981	Ryan .	
D. 267,505	1/1983	Ryan .	
D. 274,549	7/1984	Ryan .	
D. 282,867	3/1986	Ryan et al. .	
D. 282,961	3/1986	Byan .	
D. 293,710	1/1988	Woods .	
625,155	5/1899	Dresser	285/341 X
1,901,201	3/1933	Taylor .	

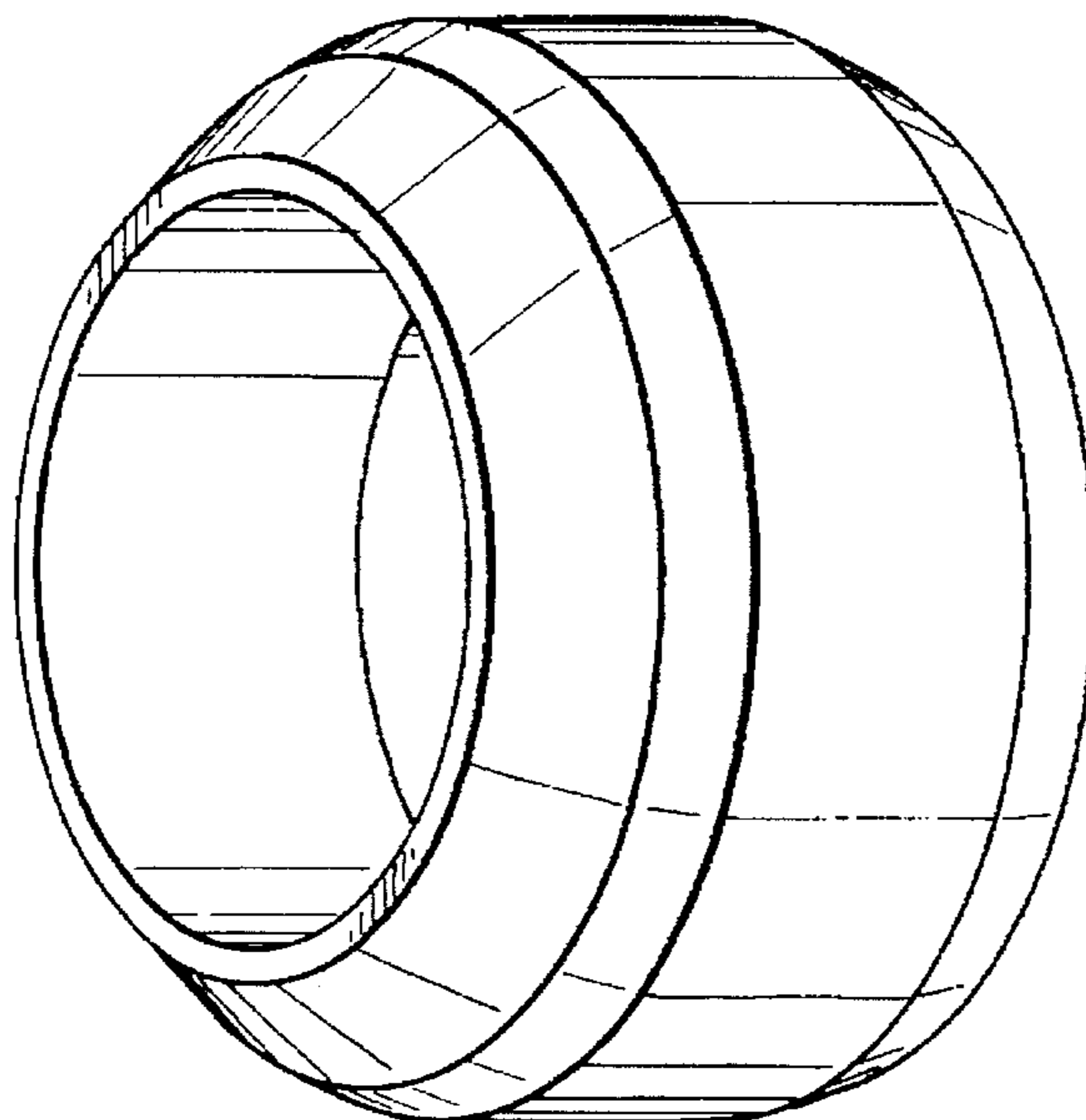


FIG.1

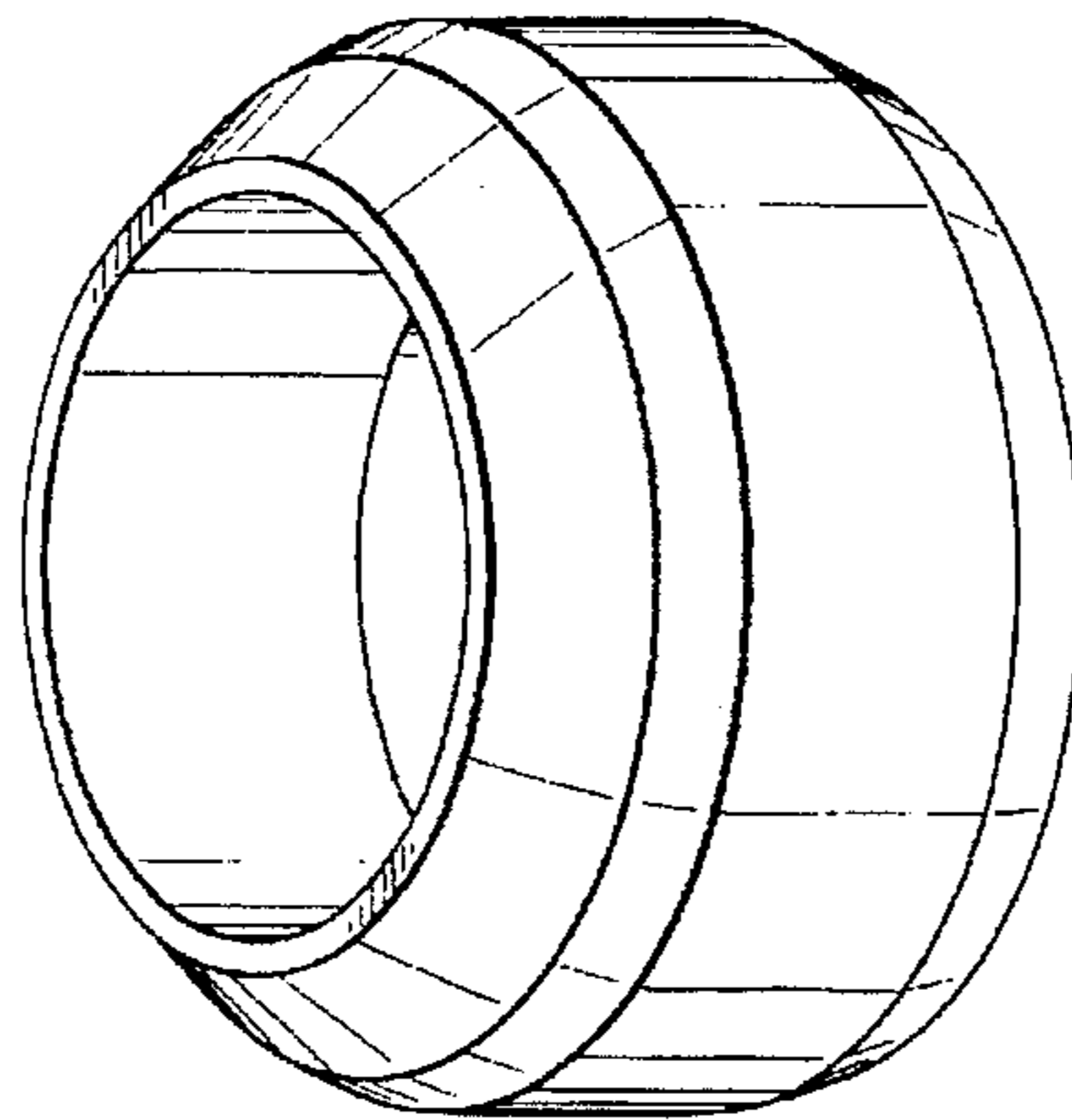


FIG.2

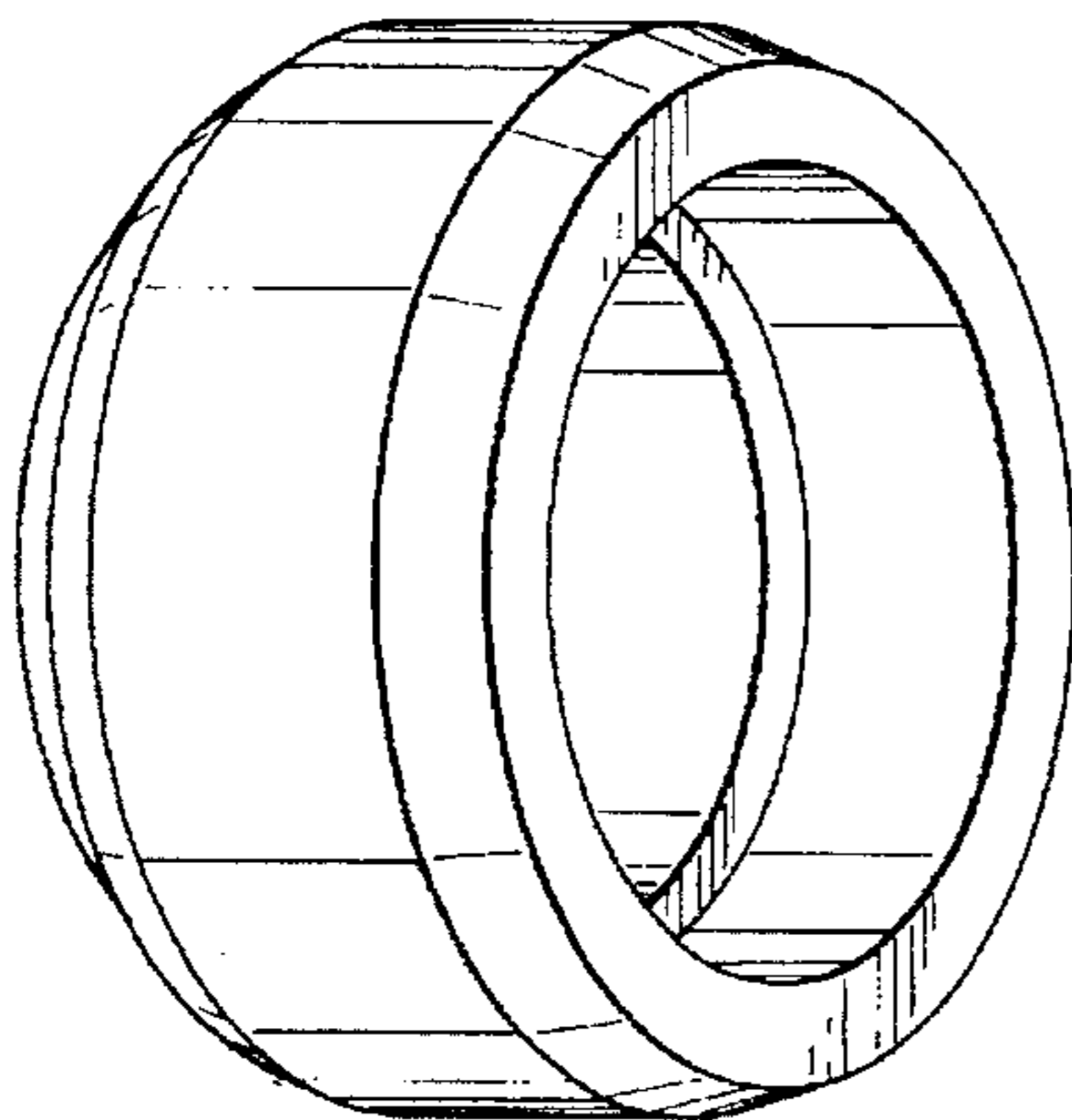


FIG.3

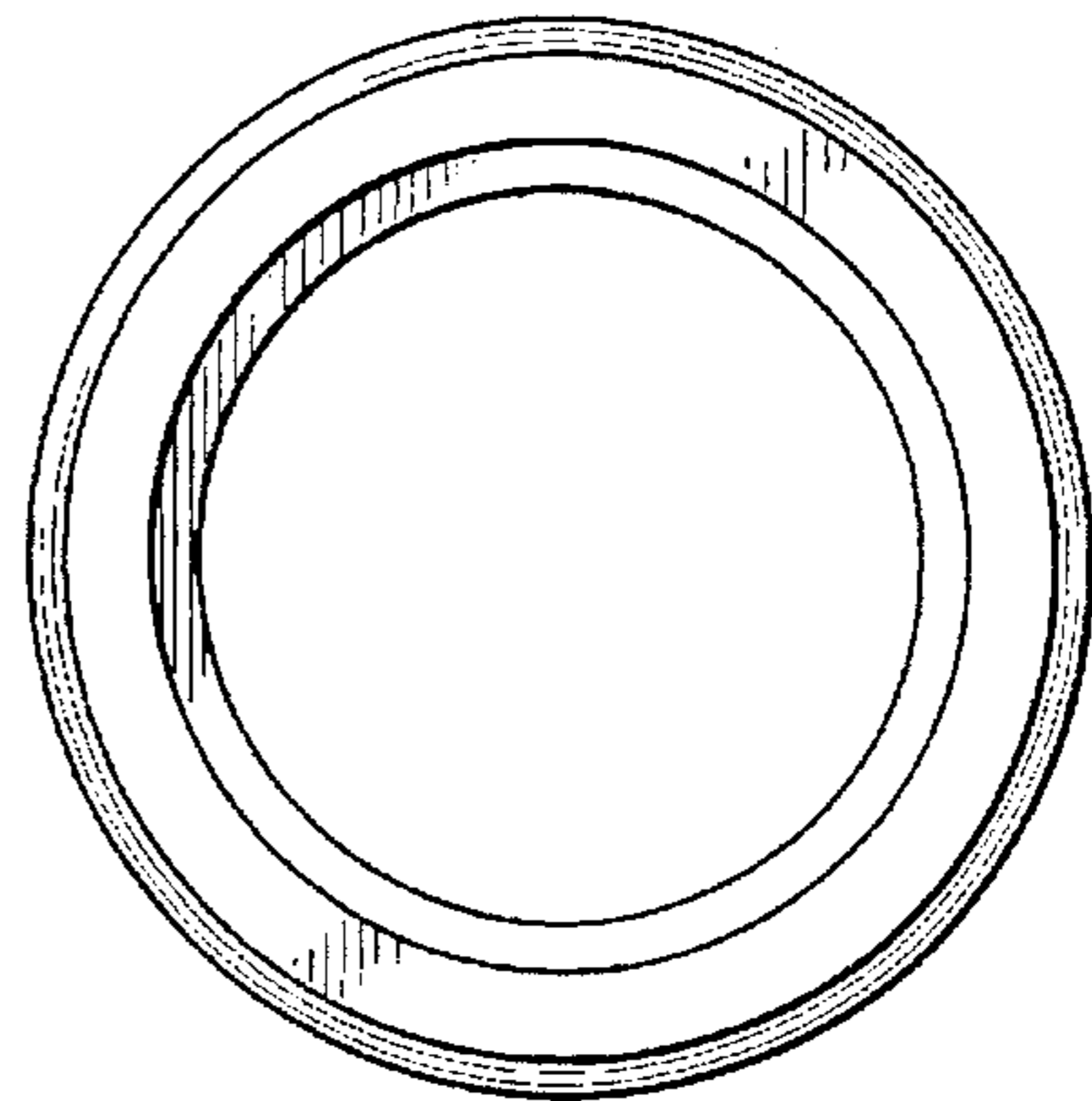


FIG.4

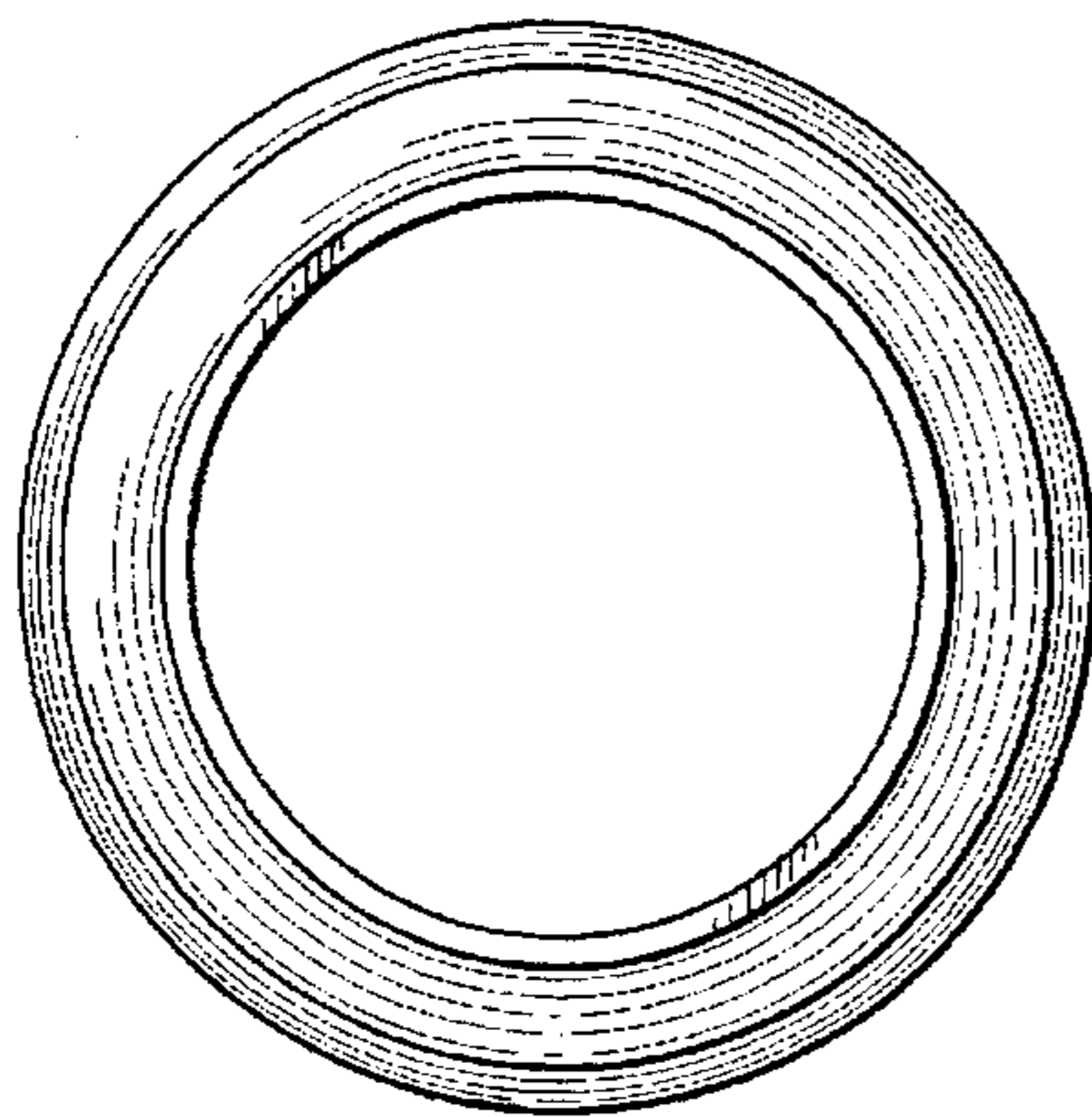


FIG.5

