



US00D383043S

# United States Patent [19] Harris

[11] Patent Number: **Des. 383,043**

[45] Date of Patent: **\*\*Sep. 2, 1997**

[54] **BOTTLE-TO-BOTTLE TRANSFER FUNNEL**

[76] Inventor: **Virgil Harris**, P.O. Box 124, Point Marion, Pa. 15474

[\*\*] Term: **14 Years**

[21] Appl. No.: **55,925**

[22] Filed: **Jun. 17, 1996**

[51] LOC (6) Cl. .... **07-99**

[52] U.S. Cl. .... **D7/700**

[58] Field of Search ..... D7/619, 700; 141/331-345, 141/363-366, 375, 98

[56] **References Cited**

**U.S. PATENT DOCUMENTS**

- D. 158,693 5/1950 Salisbury, Jr. .... D7/700
- D. 242,489 11/1976 Burroughs ..... D7/700 X
- D. 245,344 8/1977 Fisher ..... D7/700 X
- D. 265,586 7/1982 Sloan .

- D. 267,536 1/1983 Findlay ..... D7/318
- D. 274,208 6/1984 Hildenbrand .
- D. 279,068 6/1985 Bunn ..... D7/312
- 1,165,675 12/1915 Ide ..... 141/335
- 4,347,879 9/1982 Blaser ..... 141/364
- 5,123,461 6/1992 Belokin, Jr. et al. .... 141/98

*Primary Examiner*—Sandra L. Morris  
*Attorney, Agent, or Firm*—Kenneth P. McKay

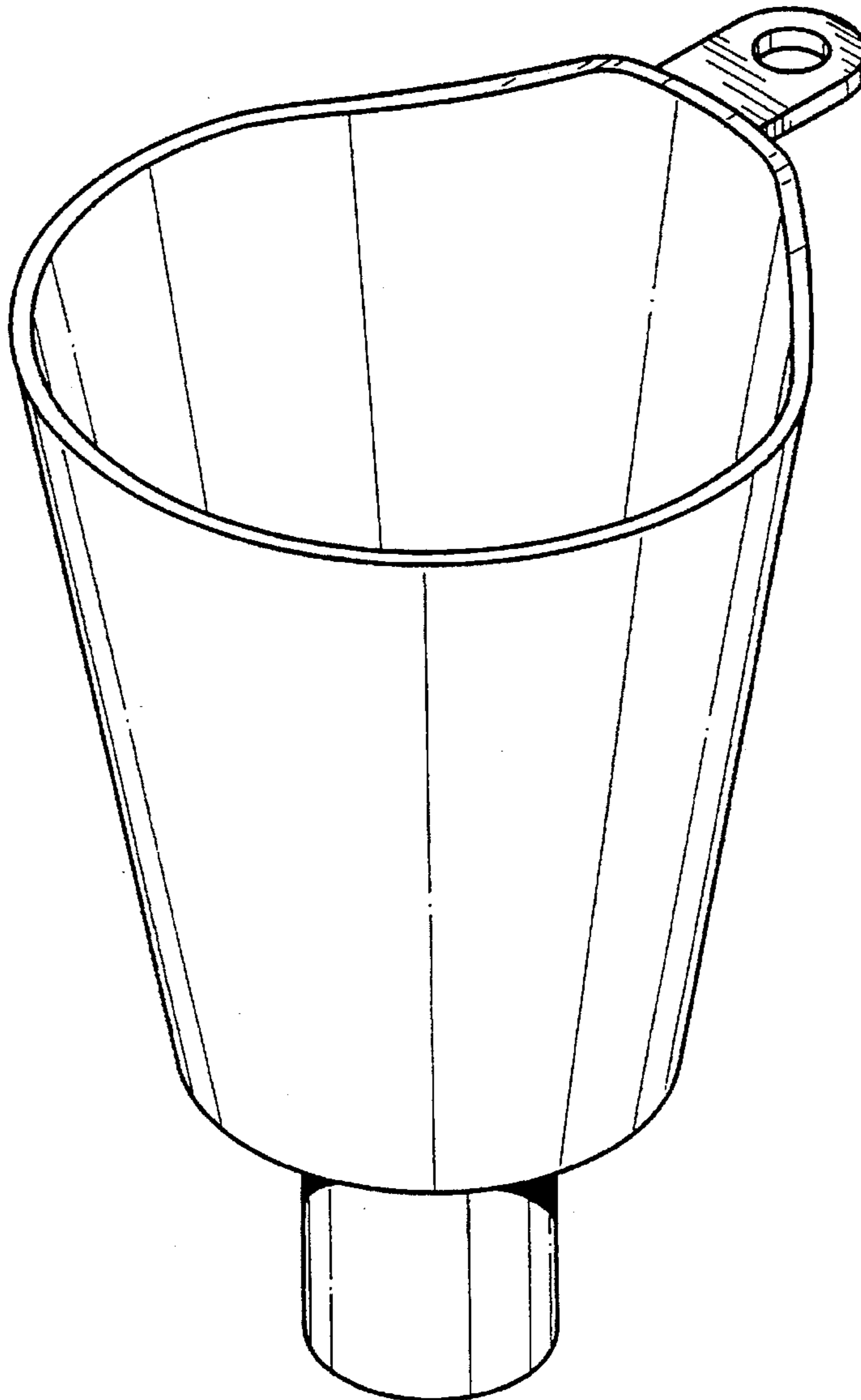
[57] **CLAIM**

The ornamental design for a bottle-to-bottle transfer funnel, as shown.

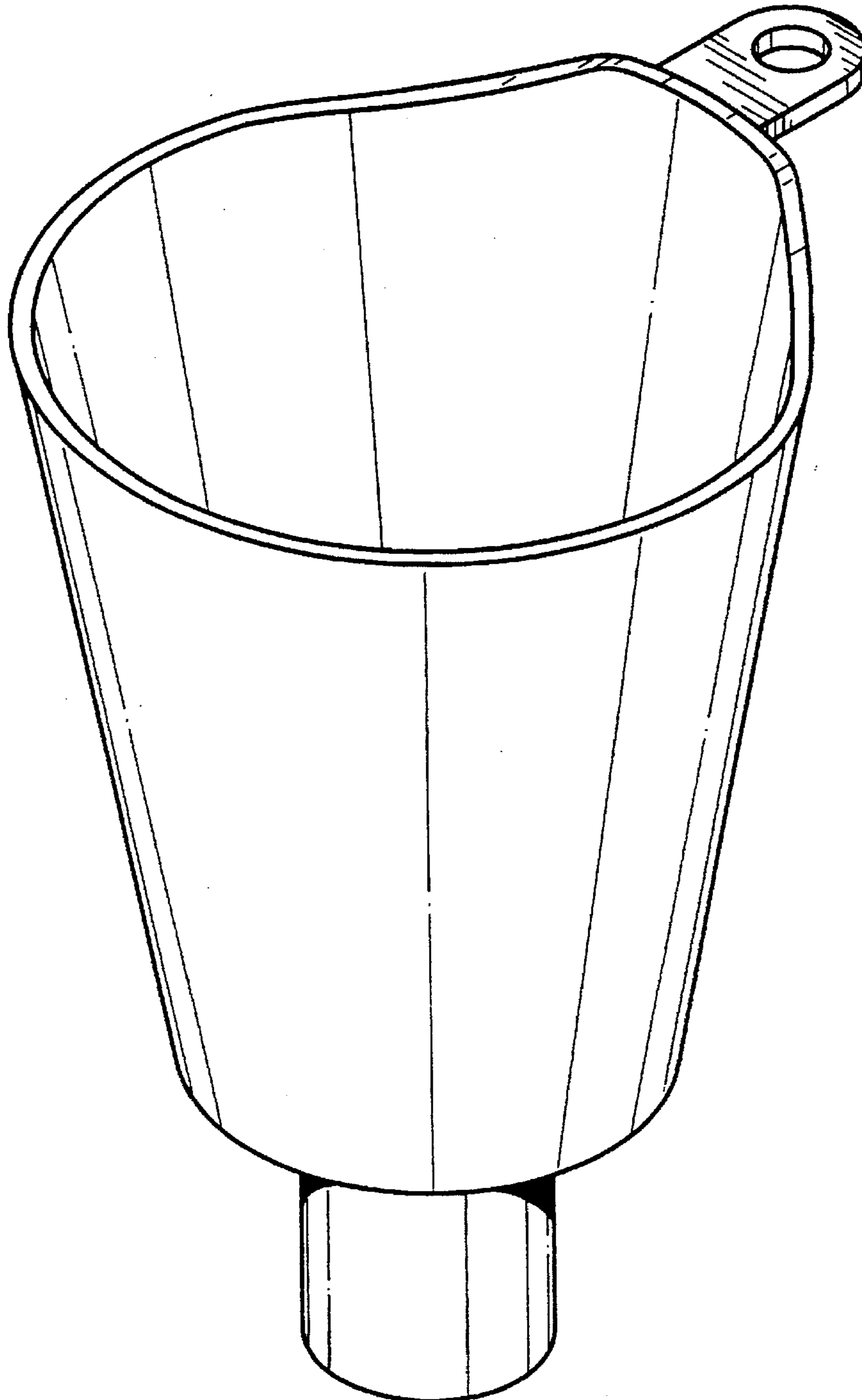
**DESCRIPTION**

FIG. 1 is a perspective view of a bottle-to-bottle transfer funnel showing my new design;  
FIG. 2 is a side elevational view thereof;  
FIG. 3 is a top plan view thereof; and,  
FIG. 4 is a bottom plan view thereof.

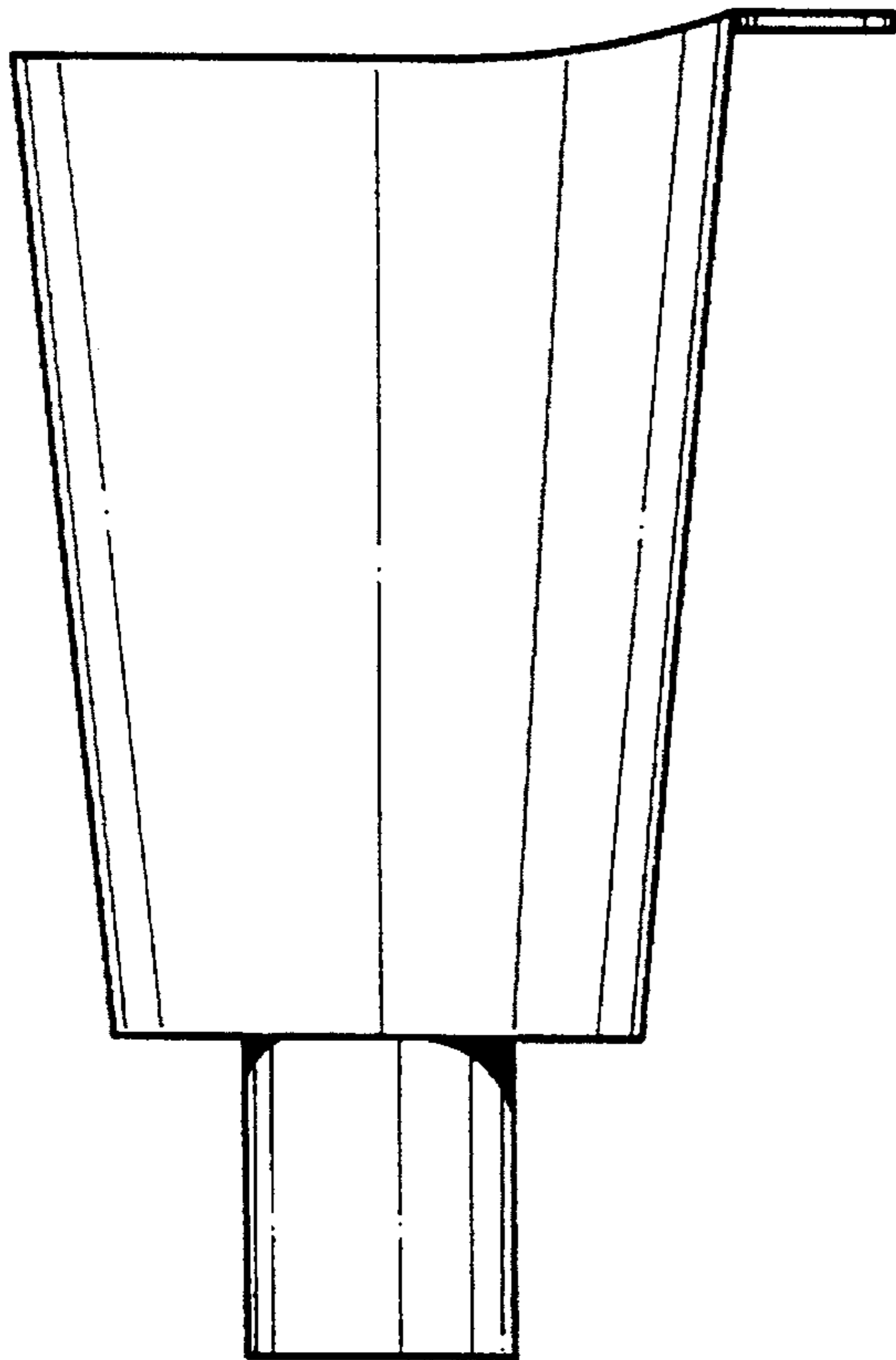
**1 Claim, 2 Drawing Sheets**



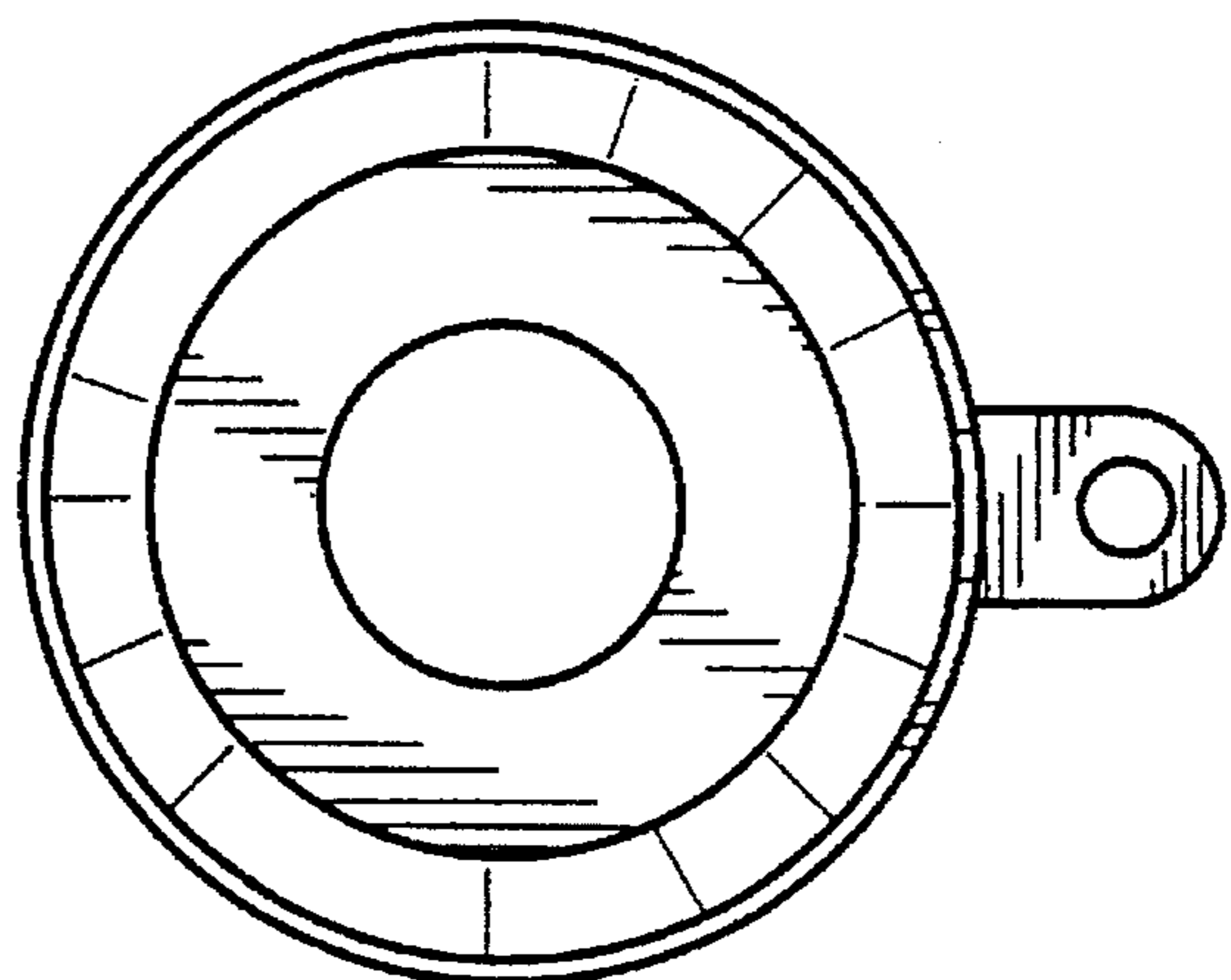
*FIG. 1*



*FIG. 2*



*FIG. 3*



*FIG. 4*

