



US00D383041S

United States Patent [19]
McGill

[11] **Patent Number: Des. 383,041**

[45] **Date of Patent: **Sep. 2, 1997**

[54] **FOOD CONTAINER**

[75] **Inventor: Gary Shane McGill, Rochester, United Kingdom**

[73] **Assignee: McGill Technology Limited, England**

[**] **Term: 14 Years**

[21] **Appl. No.: 36,693**

[22] **Filed: Mar. 6, 1995**

[51] **LOC (6) Cl. 07-01**

[52] **U.S. Cl. D7/629**

[58] **Field of Search** D7/600, 601, 629,
D7/538-549, 558; 220/305-306, 374, 375;
62/457.1, 457.2

[56] **References Cited**

U.S. PATENT DOCUMENTS

D. 272,404 1/1984 Angelakos D7/558 X
3,413,820 12/1968 Paquin 62/457.2 X

OTHER PUBLICATIONS

Restaurant Equipment Dealer, Apr. 1960, p. 5, #462
Supreme Bowl, bottom, right corner.

Primary Examiner—Terry A. Wallace

Attorney, Agent, or Firm—Gifford, Krass, Groh, Sprinkle,
Patmore, Anderson & Citkowski, P.C.

[57] **CLAIM**

The ornamental design for a food container, as shown and described.

DESCRIPTION

FIG. 1 is an exploded top, front perspective view of a food container showing my new design;

FIG. 2 is a top, front perspective view thereof;

FIG. 3 is a bottom, rear perspective view thereof;

FIG. 4 is an exploded bottom, rear perspective view thereof;

FIG. 5 is a bottom plan view thereof with the lower portion being removed for clarity of illustration;

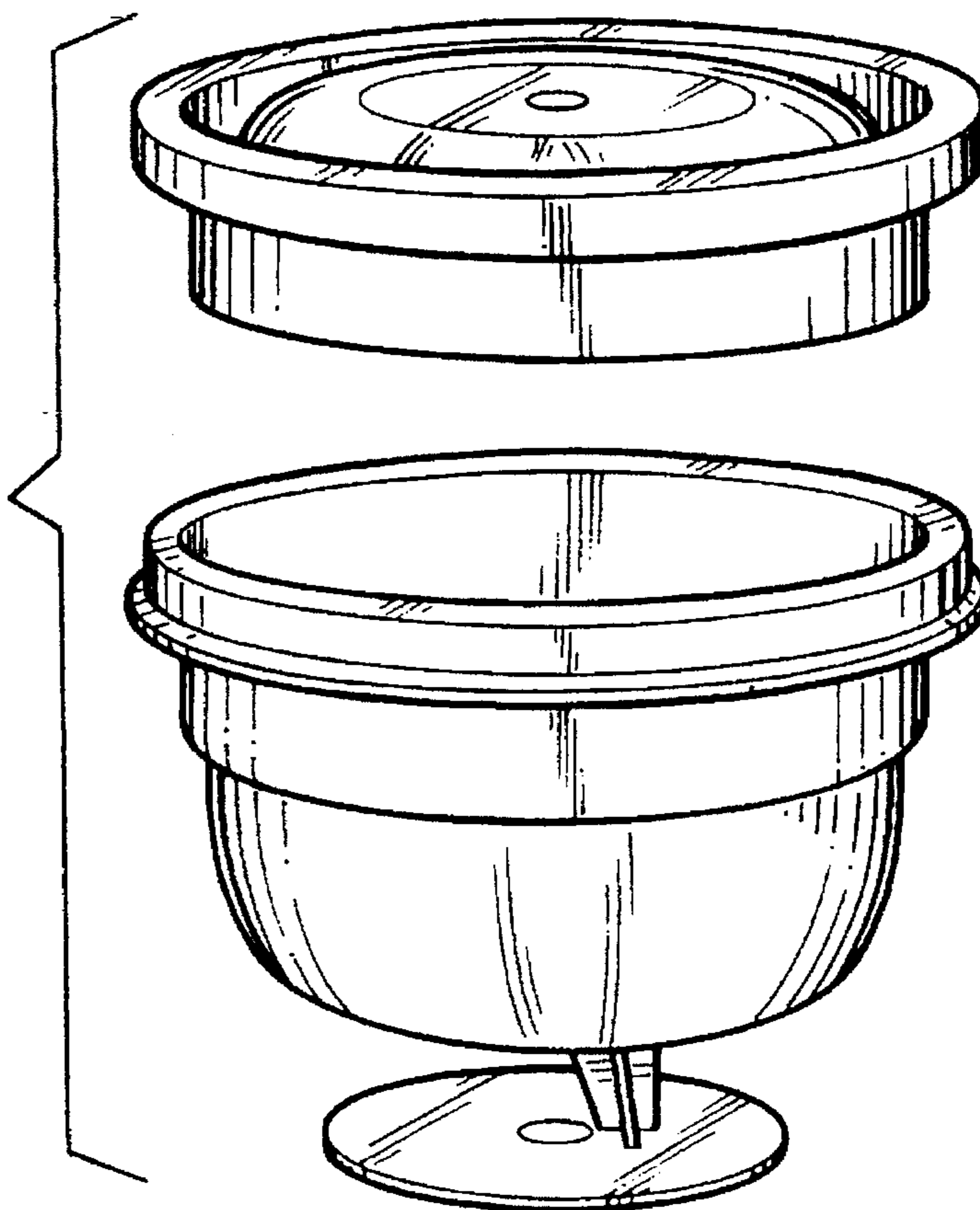
FIG. 6 is a top plan view thereof;

FIG. 7 is a bottom plan view thereof;

FIG. 8 is a bottom perspective view of an alternate embodiment of FIG. 1, the only difference being the shape of the star on the bottom of the bowl portion; and,

FIG. 9 is a bottom plan view of FIG. 8.

1 Claim, 4 Drawing Sheets



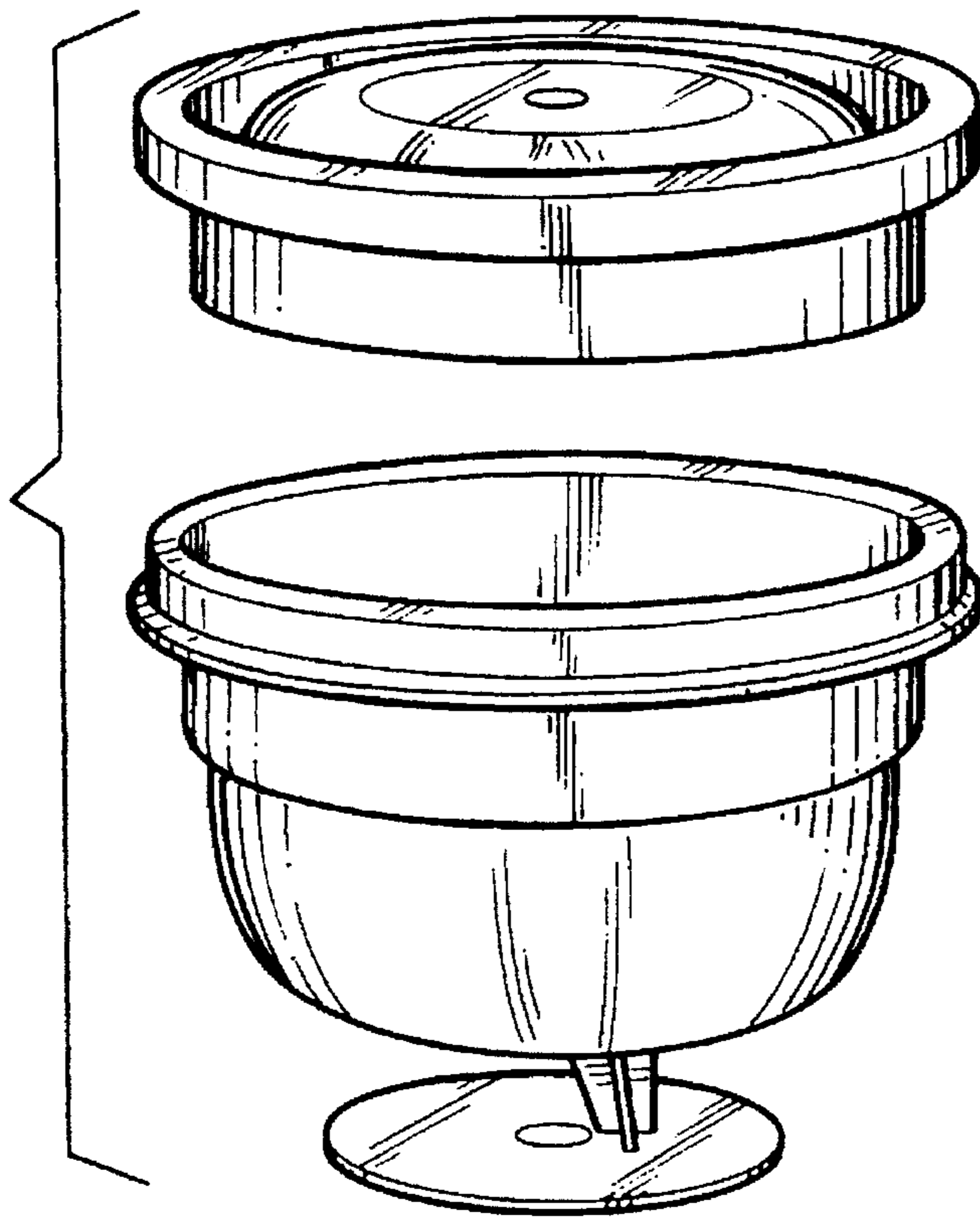


FIG 1

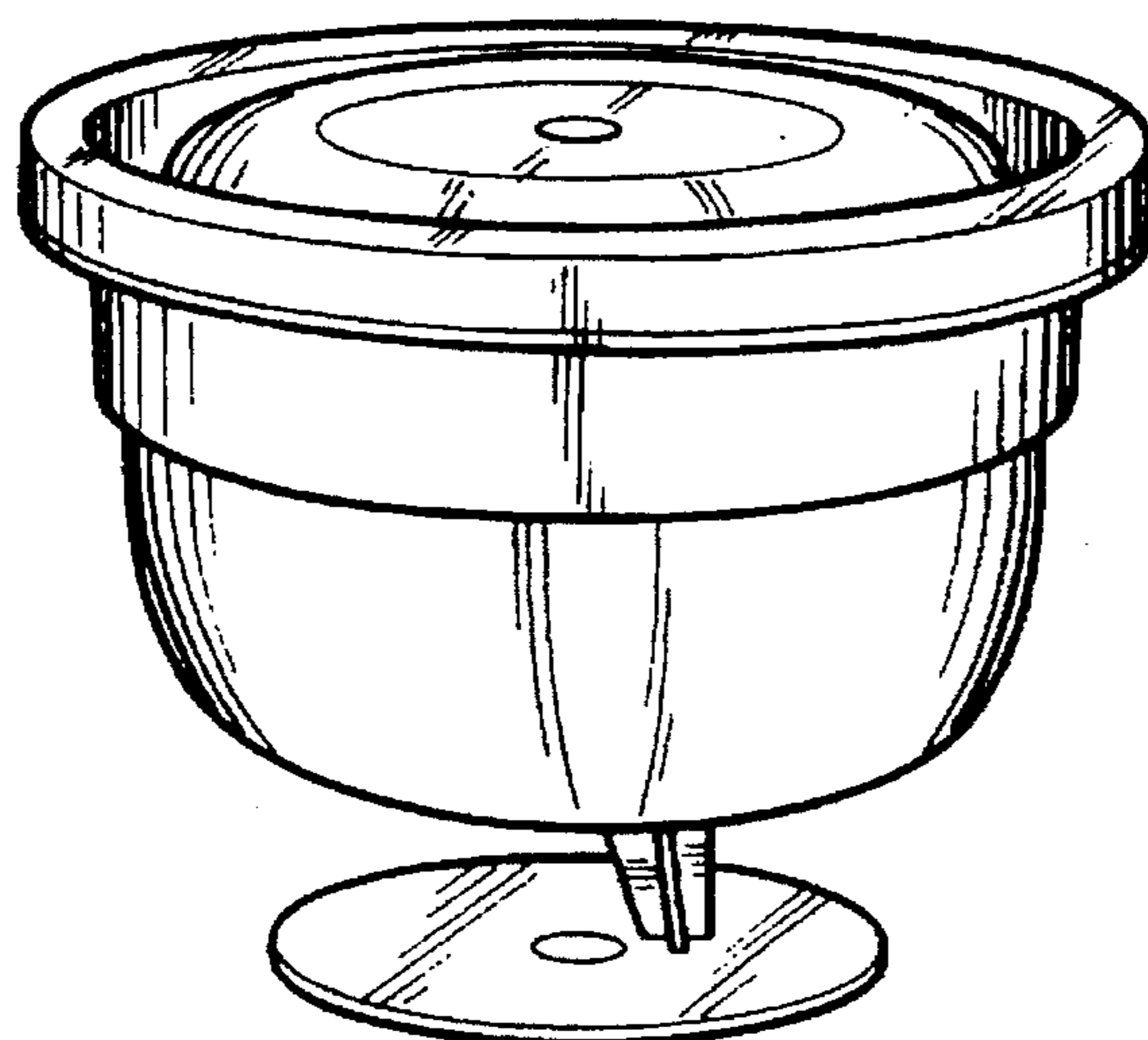


FIG 2

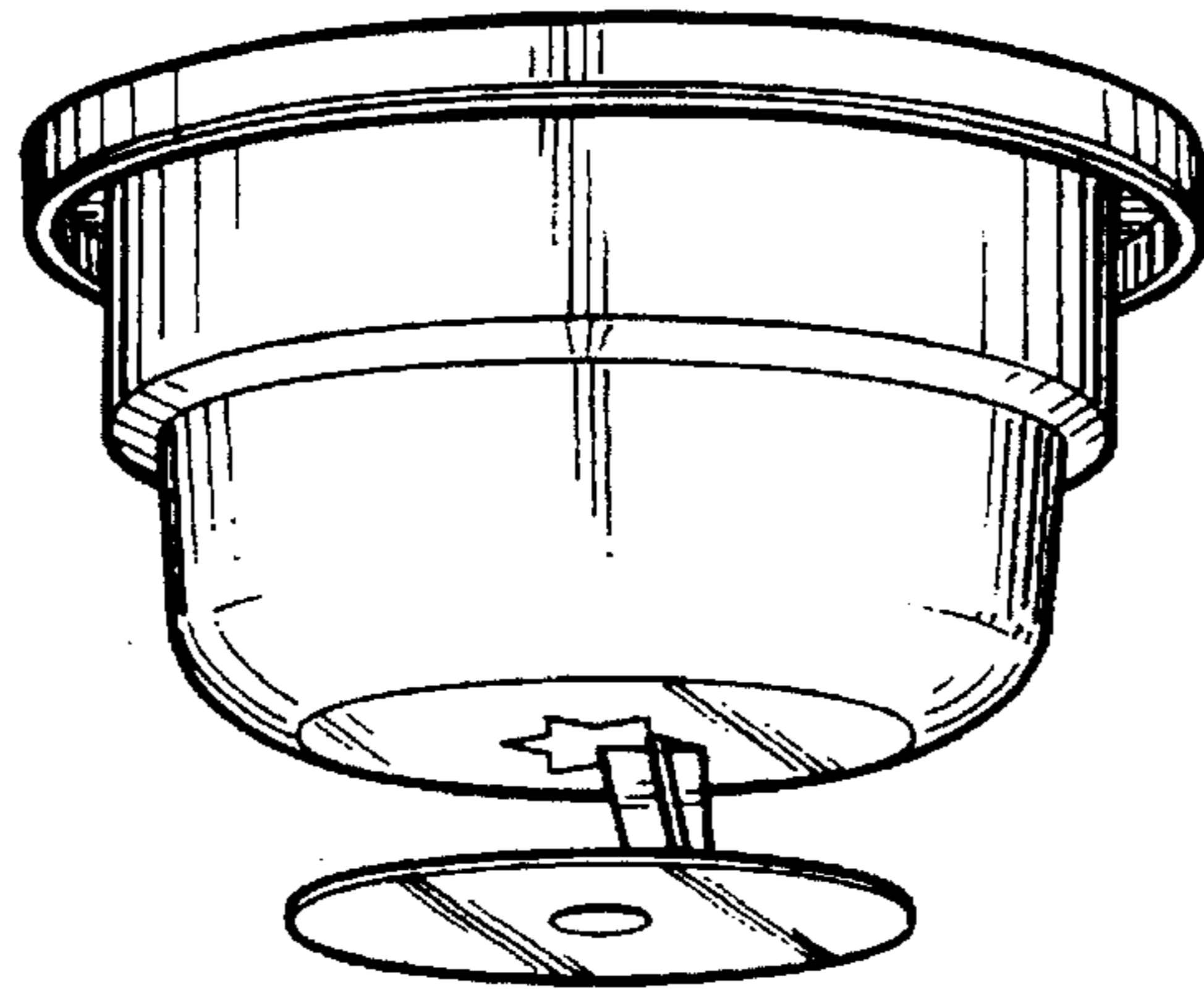


FIG 3

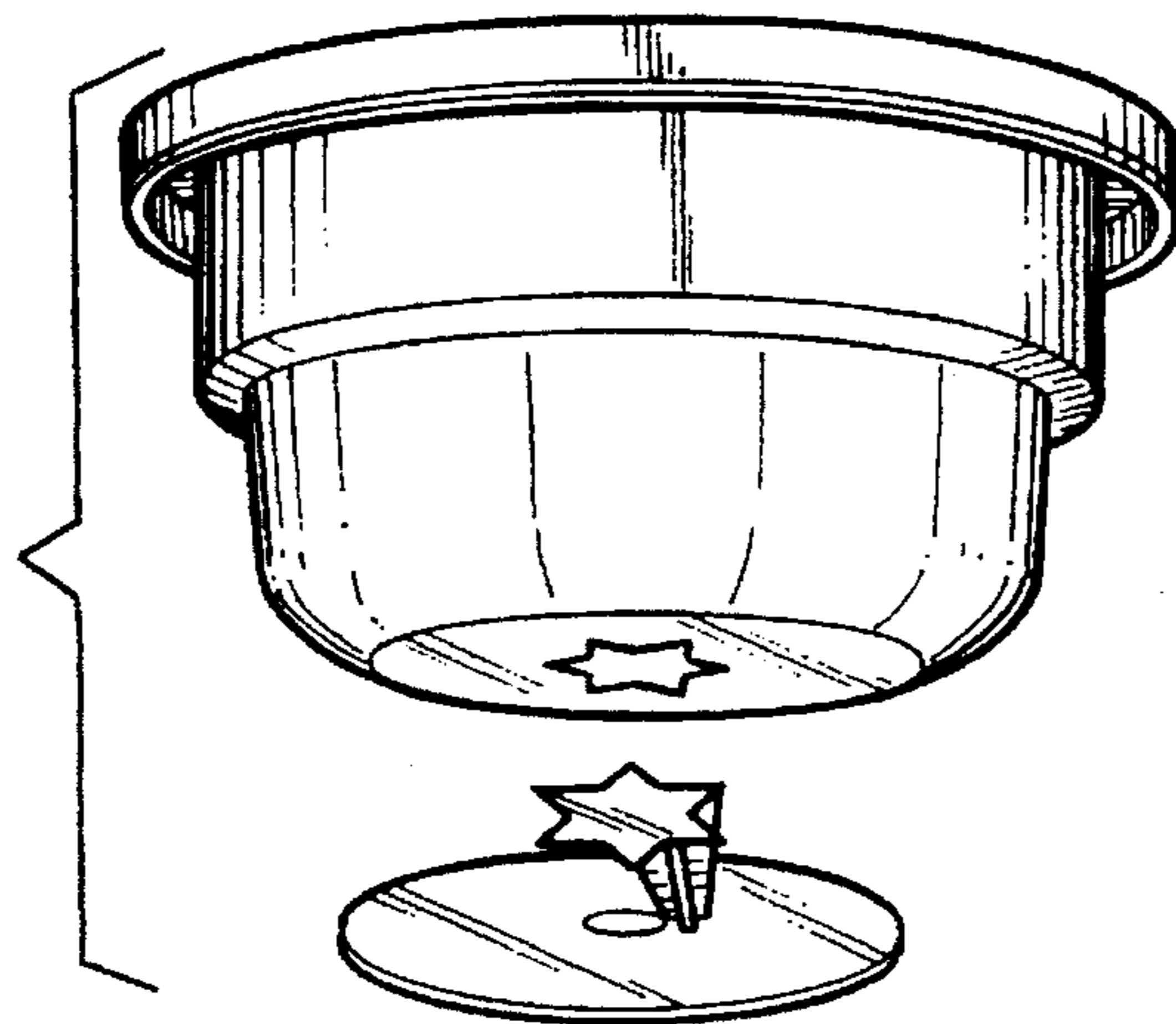


FIG 4

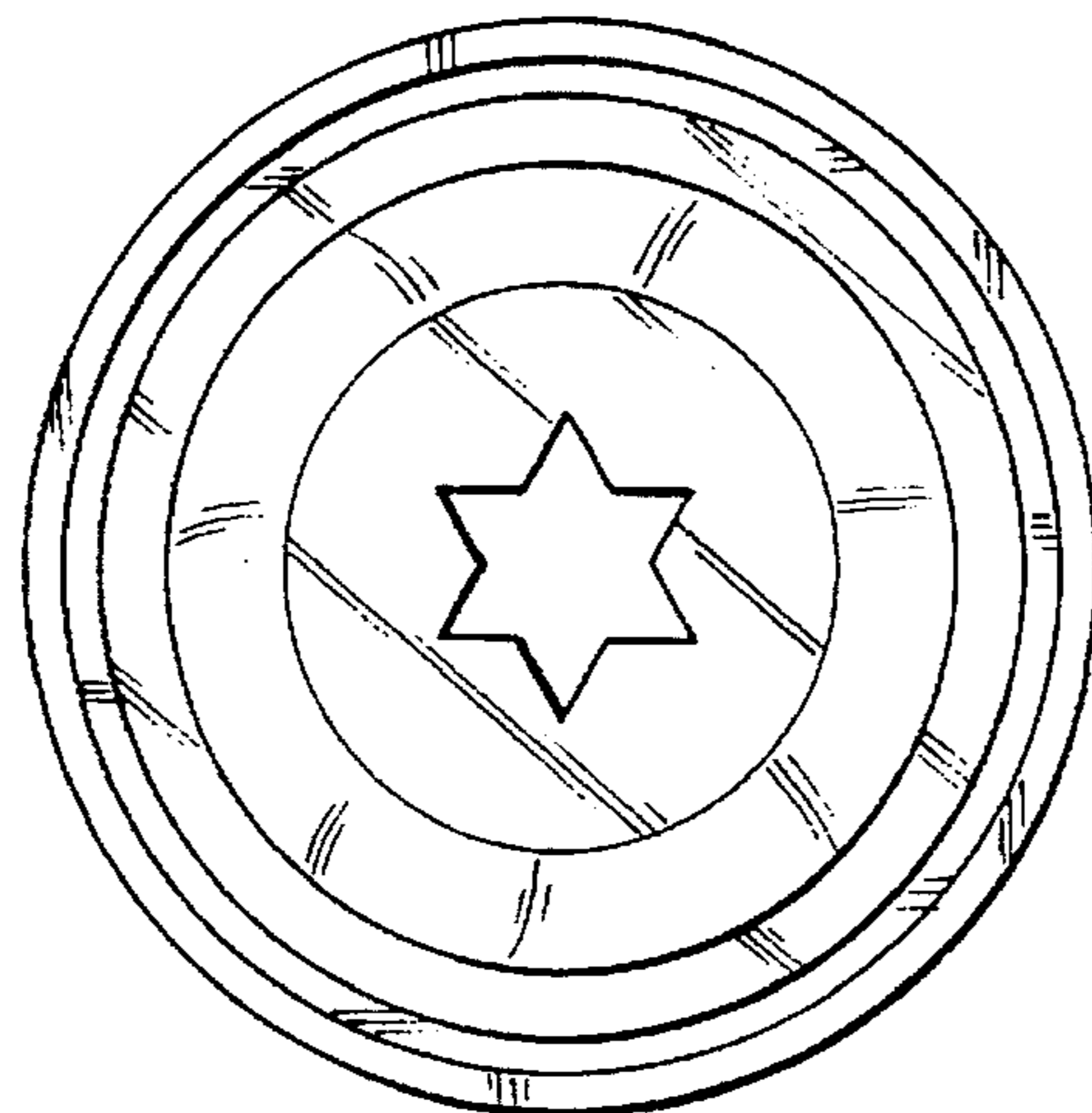


FIG 5

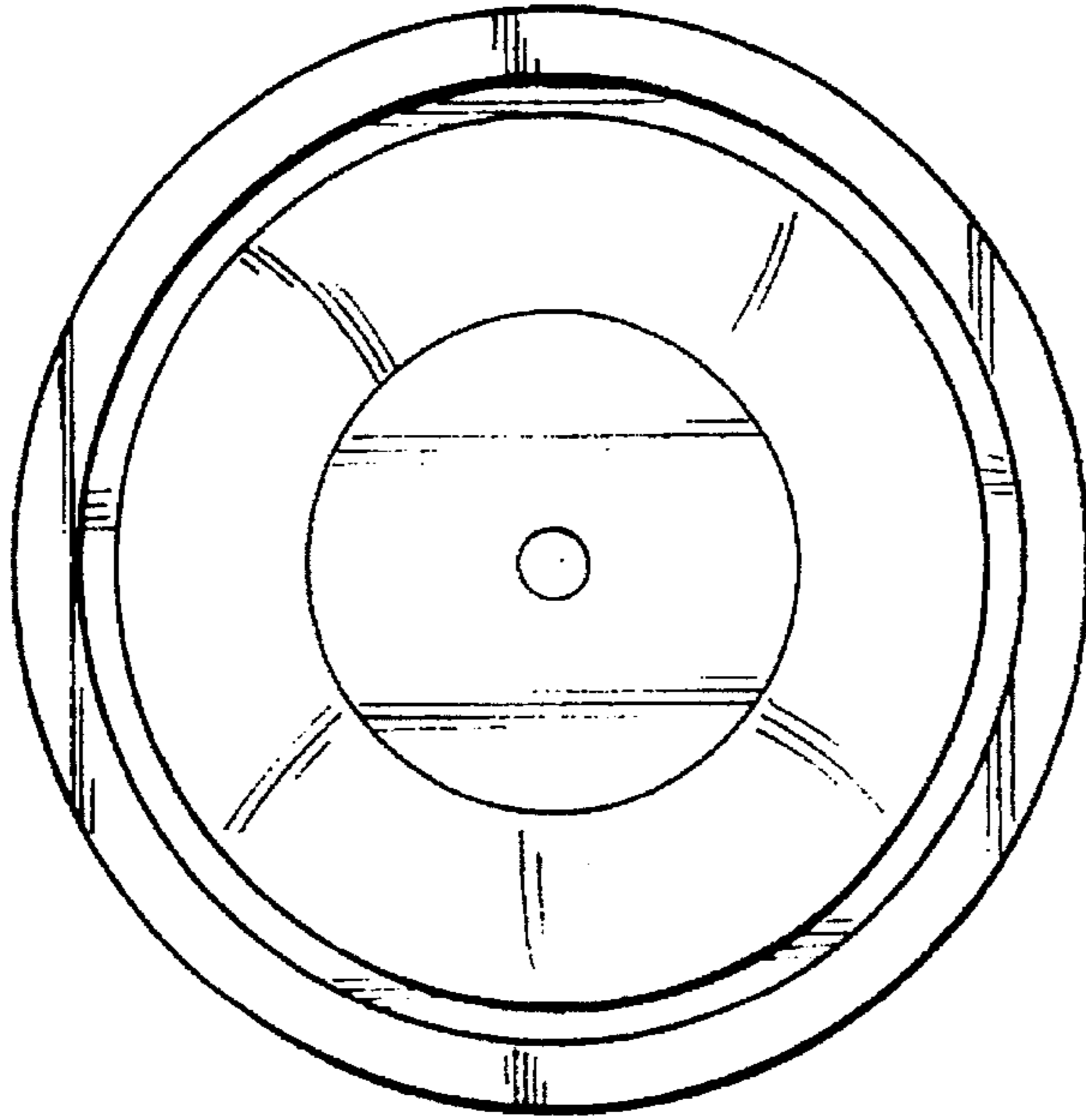


FIG 6

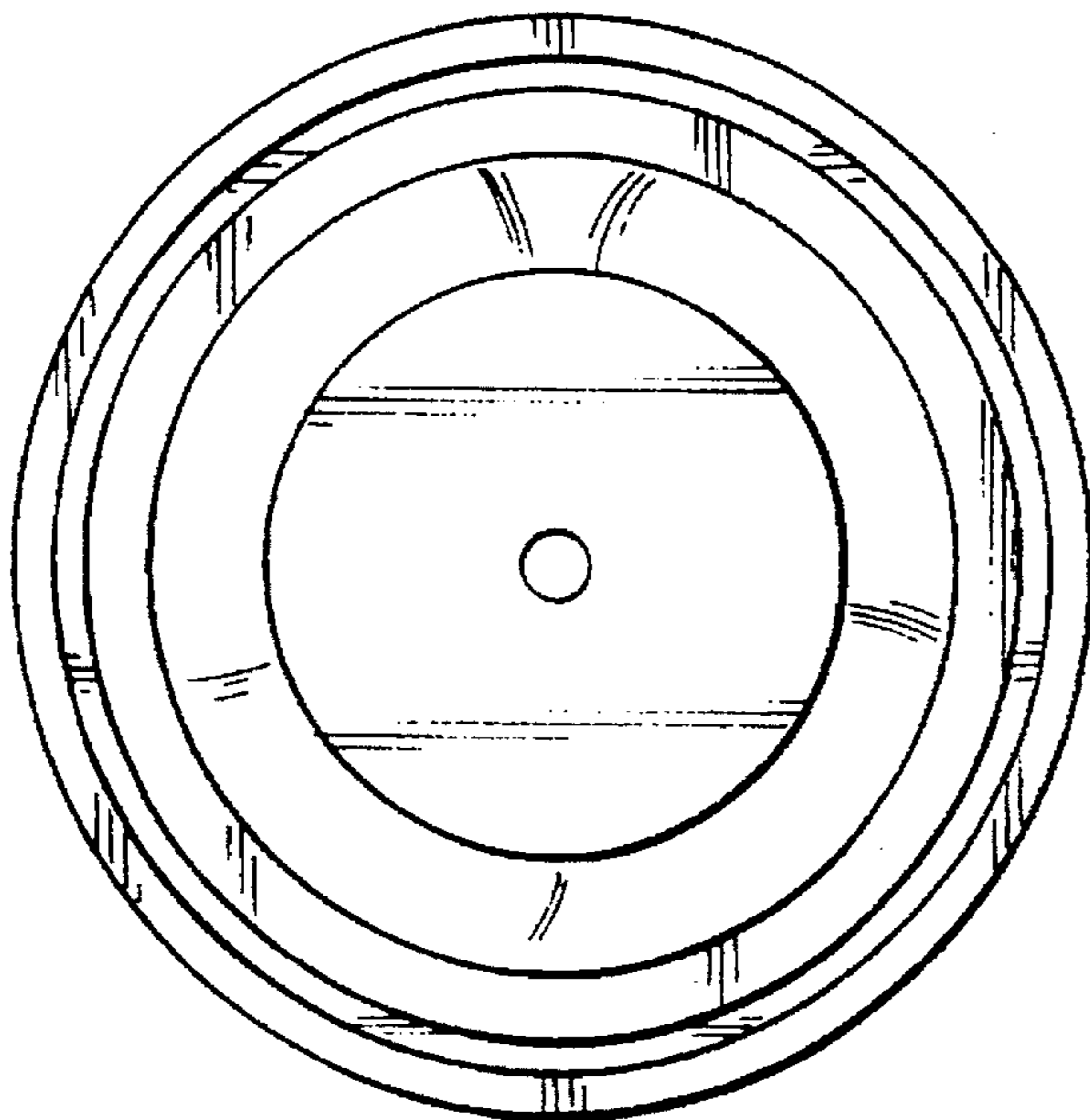


FIG 7

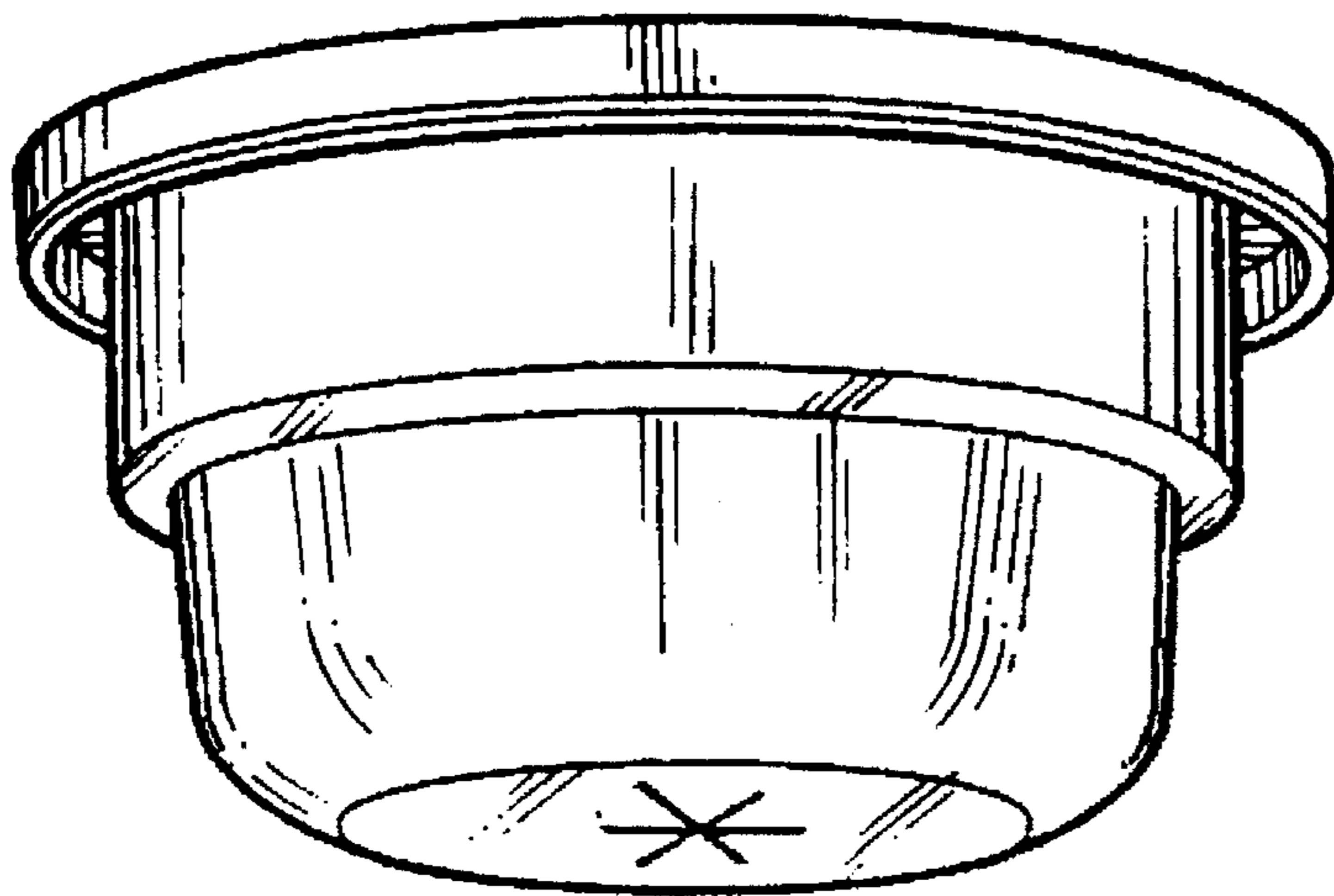


FIG 8

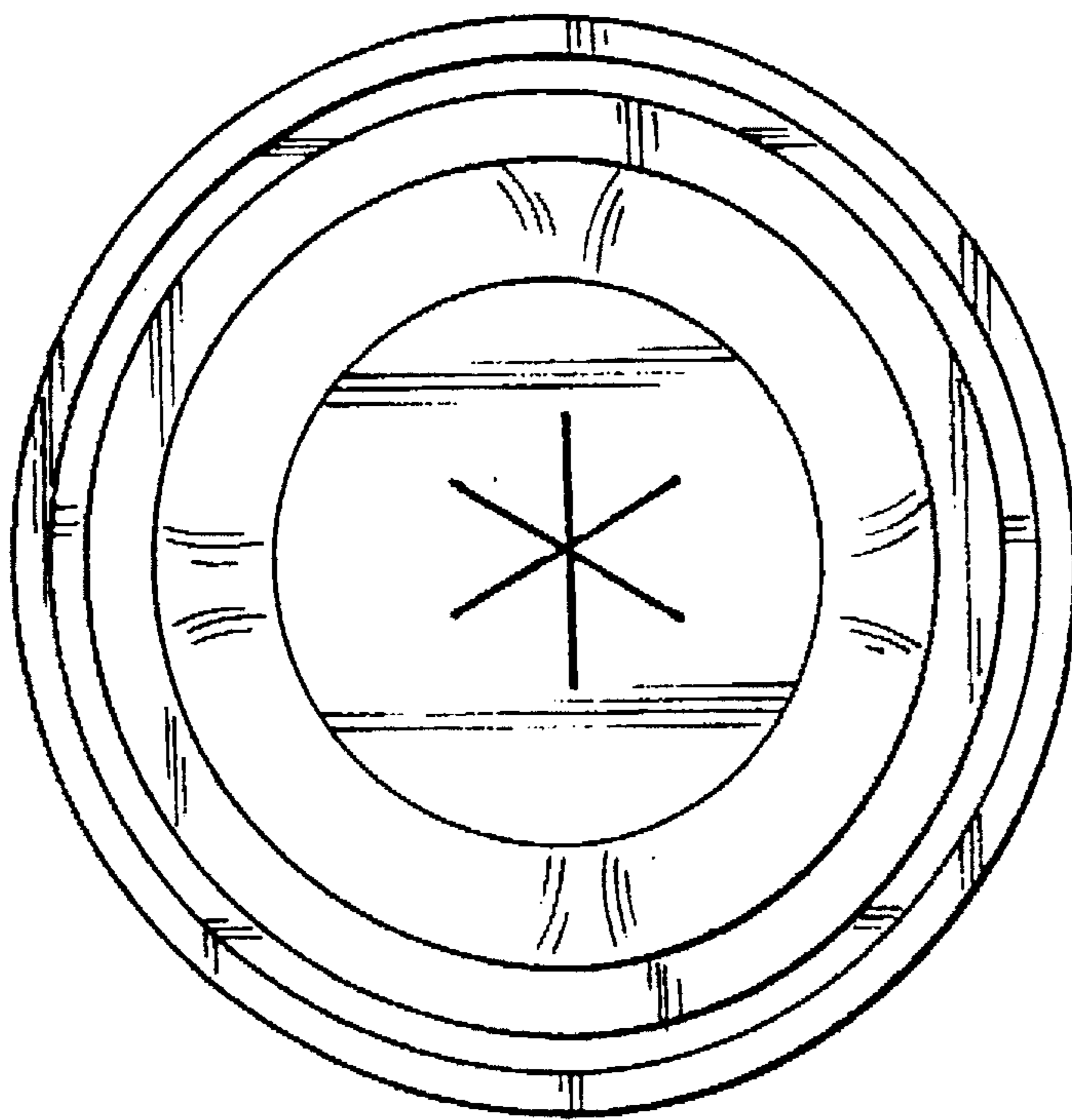


FIG 9