



US00D383040S

**United States Patent** [19]  
**McArdle**

[11] **Patent Number:** **Des. 383,040**  
[45] **Date of Patent:** **\*\*Sep. 2, 1997**

[54] **FRUIT/VEGETABLE NETTING DISPLAY  
HAMMOCK**

FOREIGN PATENT DOCUMENTS

405254 12/1909 France ..... 5/120

[75] **Inventor:** **Christopher J. McArdle**, Alta Loma,  
Calif.

OTHER PUBLICATIONS

Hatteras Hammocks Ad., Roman Arc Hammock, 1989.

[73] **Assignee:** **Prodyne Enterprises Inc.**, Montclair,  
Calif.

*Primary Examiner*—B. J. Bullock

*Assistant Examiner*—Linda Brooks

[\*\*] **Term:** **14 Years**

[57] **CLAIM**

[21] **Appl. No.:** **35,128**

The ornamental design for a fruit/vegetable netting display  
hammock, as shown and described.

[22] **Filed:** **Feb. 21, 1995**

**DESCRIPTION**

[51] **LOC (6) Cl.** ..... **07-01**

[52] **U.S. Cl.** ..... **D7/602; D6/449**

[58] **Field of Search** ..... D6/450, 386, 387,  
D6/451, 449; 5/120, 127; D7/601, 602,  
628; 211/13; 248/127, 163.2

FIG. 1 is a perspective view of the display hammock  
showing my new design taken from the front and to one side;  
FIG. 2 is an end elevational view thereof, the opposite end  
being substantially a mirror image;  
FIG. 3 is a top plan view thereof;  
FIG. 4 is a side elevational view thereof, the opposite side  
being a mirror image; and,  
FIG. 5 is a bottom view thereof.

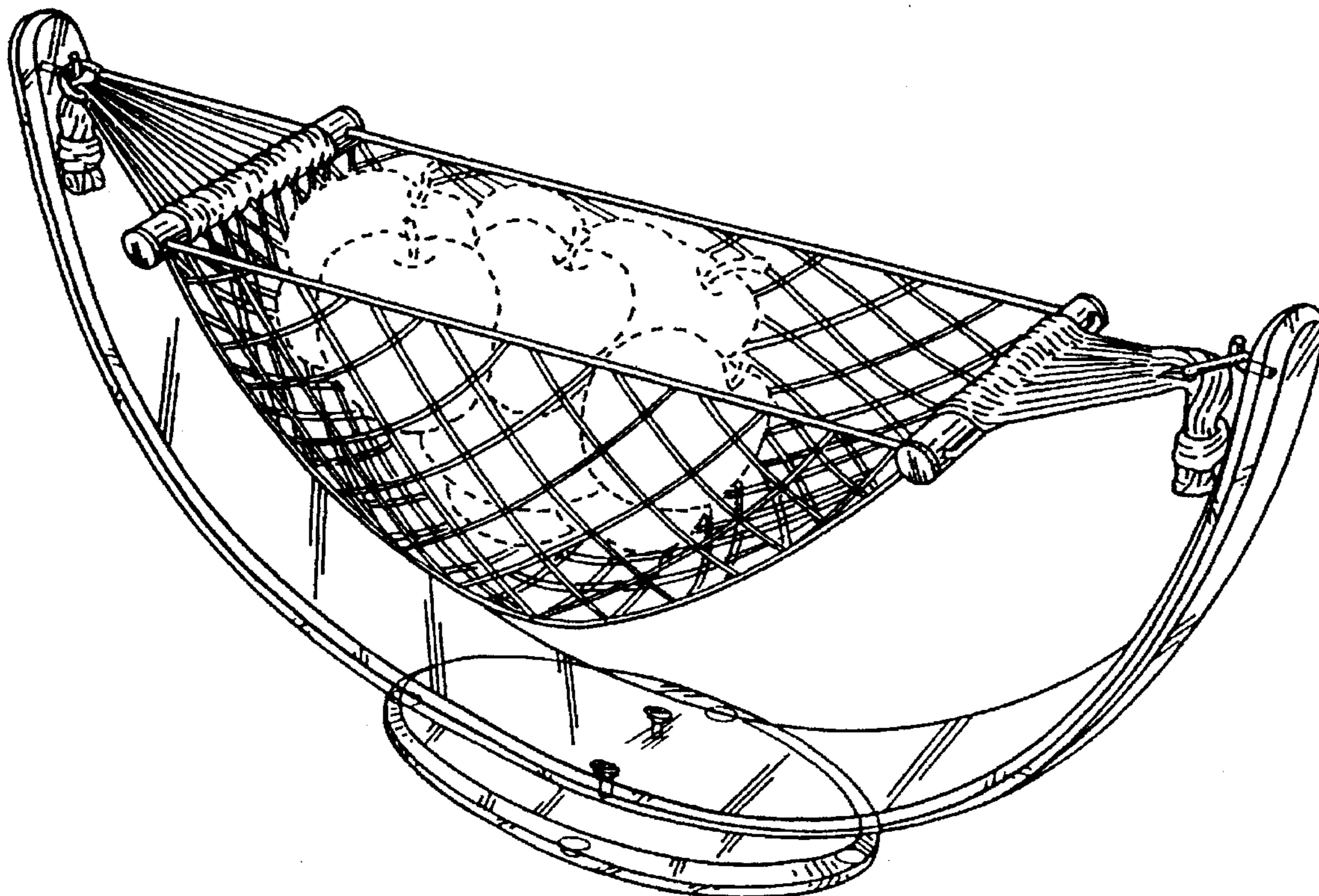
[56] **References Cited**

**U.S. PATENT DOCUMENTS**

D. 357,372	4/1995	McArdle	.....	D6/450
572,424	12/1896	Hines	.....	5/120
4,101,165	7/1978	Hammer	.....	5/120 X
4,691,394	9/1987	Woo	.....	5/120
5,113,538	5/1992	Branch, III	.....	5/120 X

The broken lines showing fruit in FIG. 1 are for illustrative  
purposes only and form no part of the claimed design.

**1 Claim, 2 Drawing Sheets**



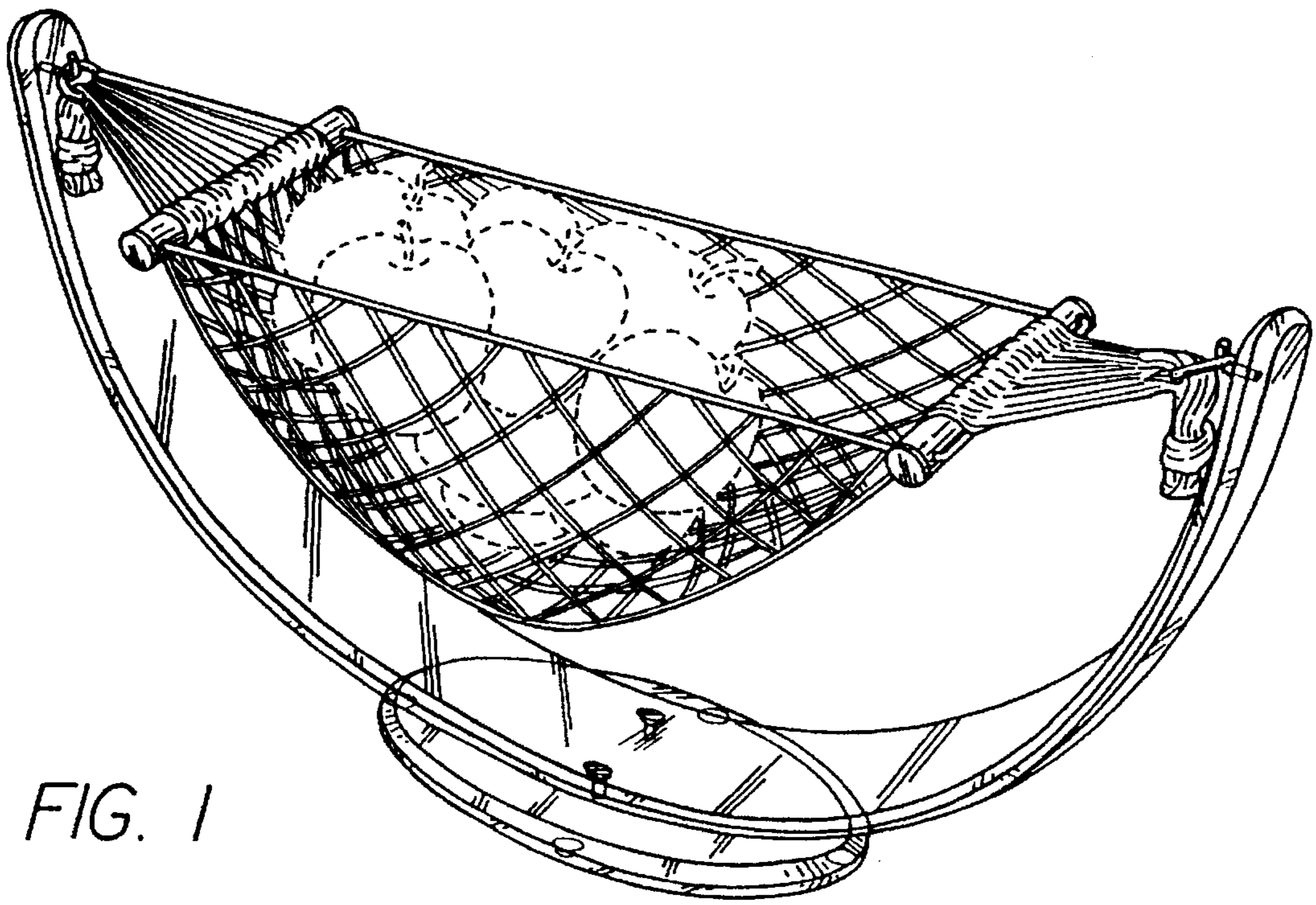


FIG. 1

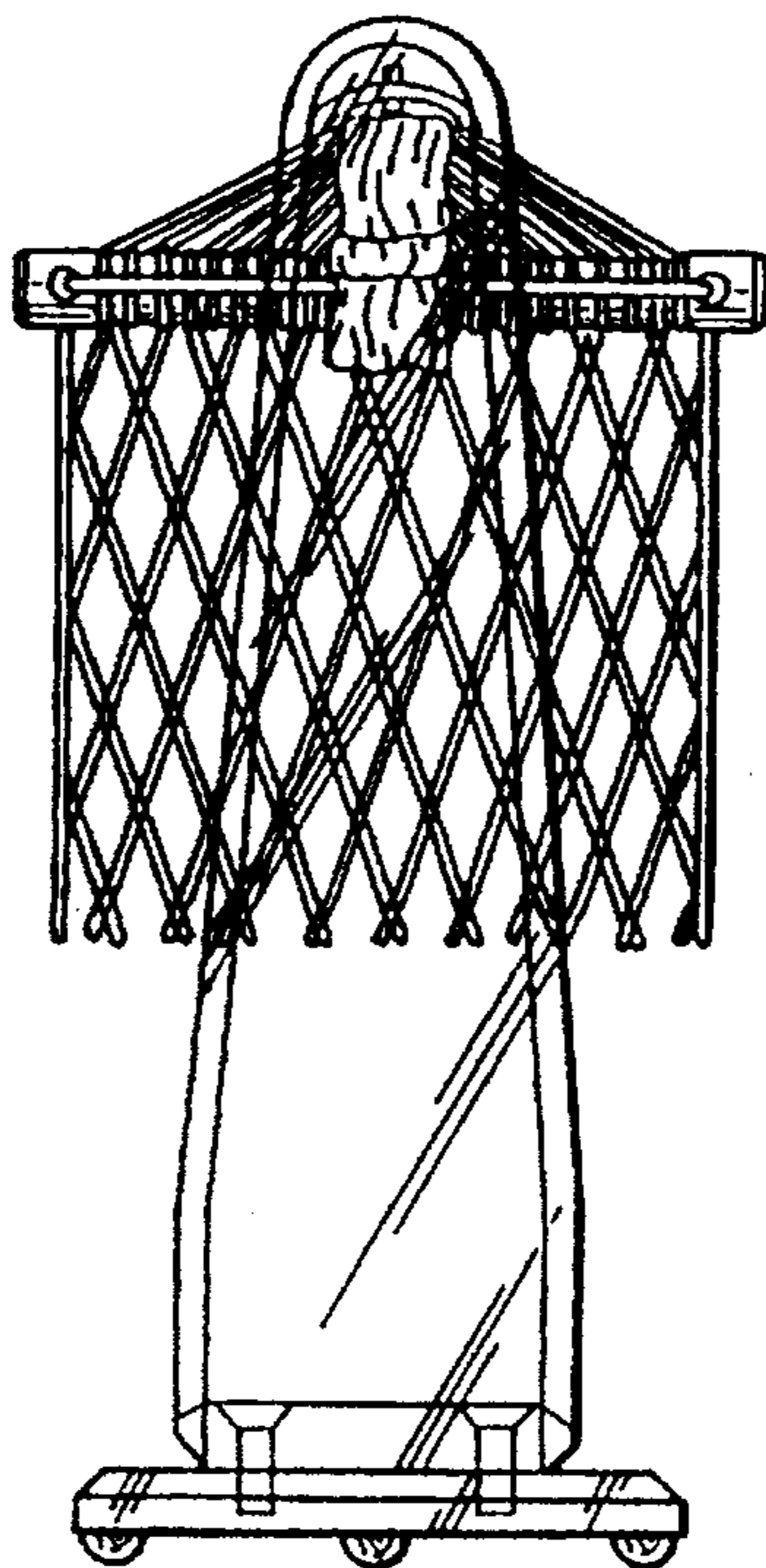


FIG. 2



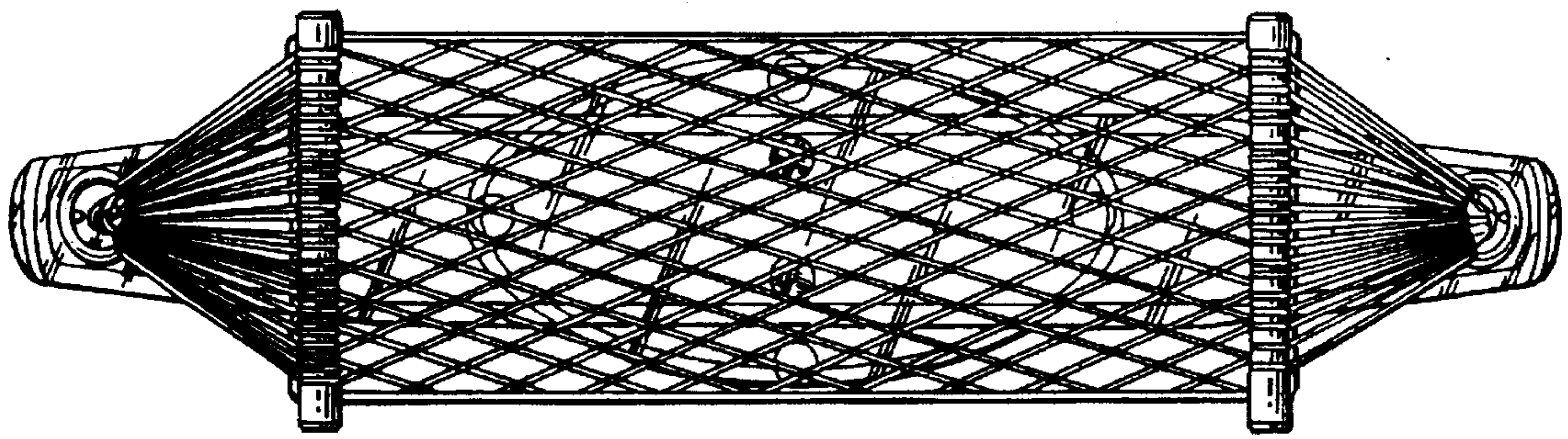


FIG. 3

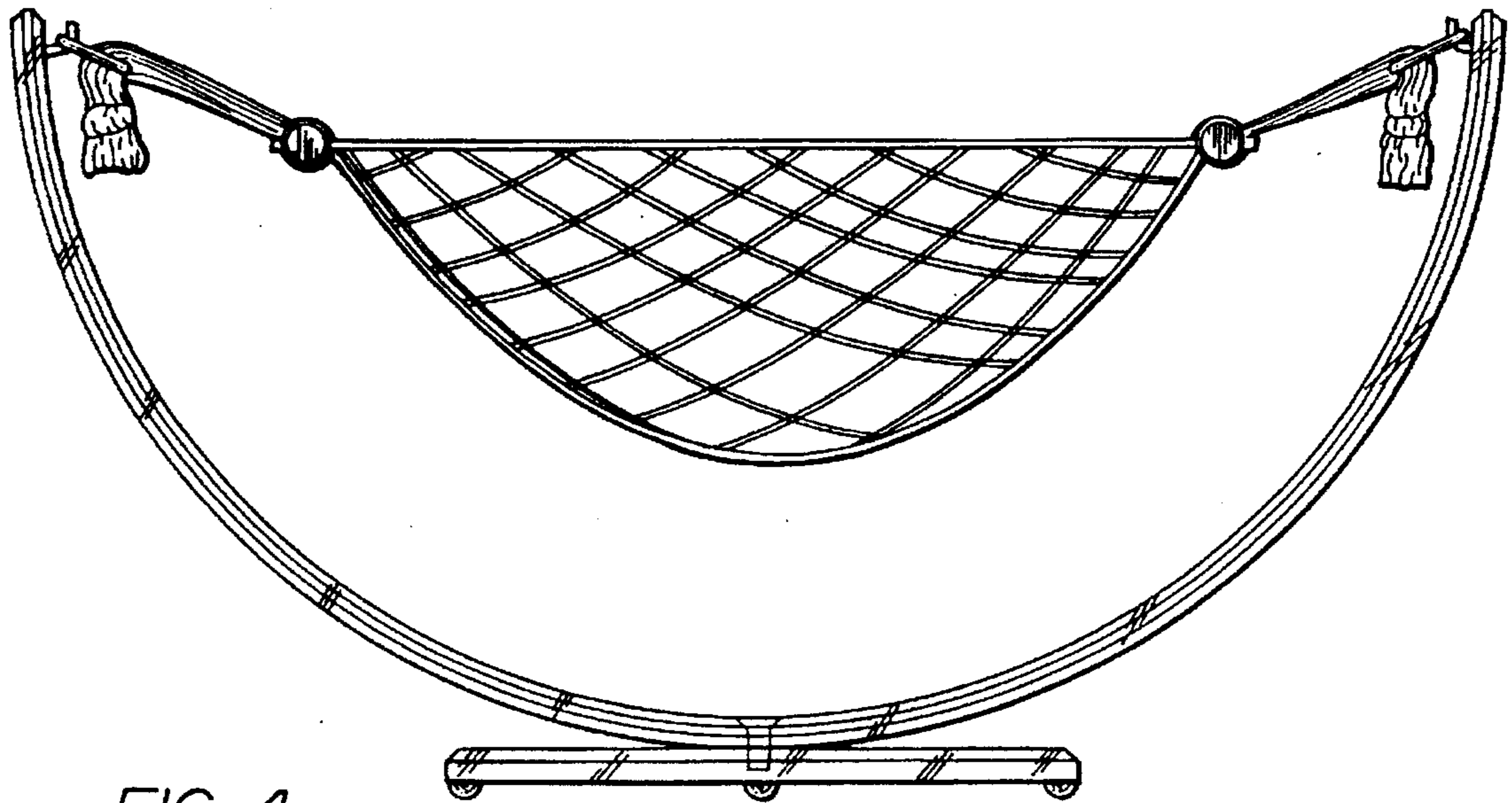


FIG. 4

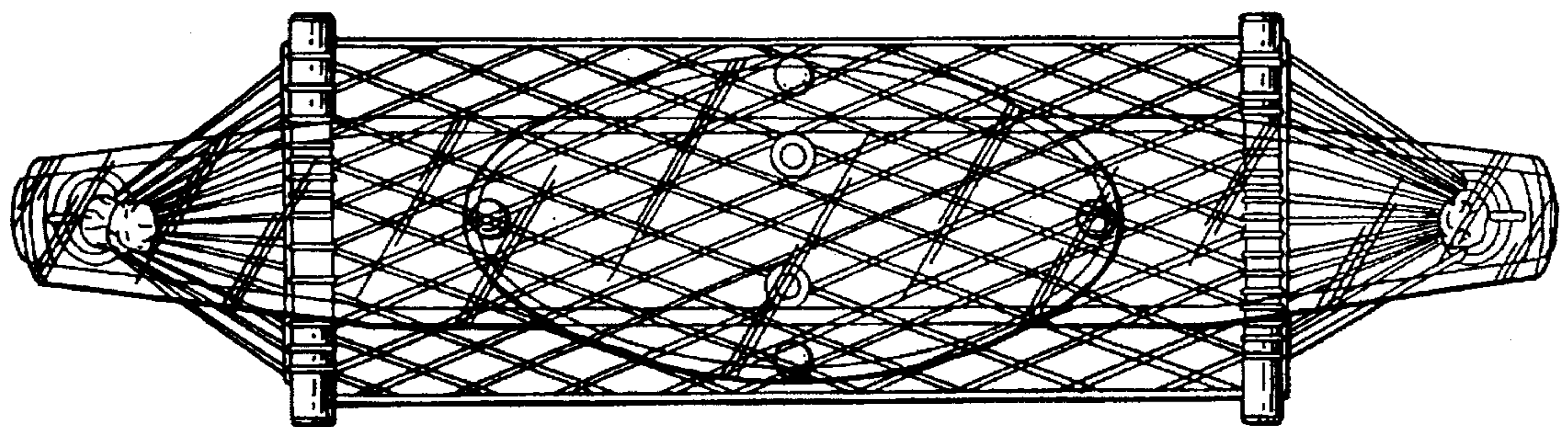


FIG. 5