



US00D383033S

United States Patent [19]

[11] Patent Number: **Des. 383,033**

Pfirschmann, Jr. et al.

[45] Date of Patent: ****Sep. 2, 1997**

[54] **COMPARTMENTAL COVER FOR A CONTAINER**

[75] Inventors: **F. Joseph Pfirschmann, Jr.**, Covington, Ky.; **Jeffery L. Kalebain**, Cincinnati, Ohio; **Thomas A. Messina**, Edgewood, Ky.

[73] Assignee: **Boston Chicken, Inc.**, Golden, Colo.

[**] Term: **14 Years**

[21] Appl. No.: **54,583**

[22] Filed: **May 15, 1996**

[51] LOC (6) Cl. **07-01**

[52] U.S. Cl. **D7/392.1; D7/391; D7/541; D7/610**

[58] **Field of Search** **D7/391, 392.1, D7/538, 541, 610, 608, 629, 501, 503, 454, 428; 220/556, 523, 293, 23.8**

[56] **References Cited**

U.S. PATENT DOCUMENTS

D. 169,739 6/1953 Dietrich D7/391

D. 207,726	5/1967	Whelan et al.	D7/541
D. 260,219	8/1981	Blake et al.	D7/508
D. 261,591	11/1981	Herbst	D7/392.1
3,107,027	10/1963	Hong	220/23.8
4,375,862	3/1983	Kurinsky et al.	220/293
4,874,083	10/1989	Antoni et al.	220/523

Primary Examiner—M. N. Pandozzi
Attorney, Agent, or Firm—Rudnick & Wolfe

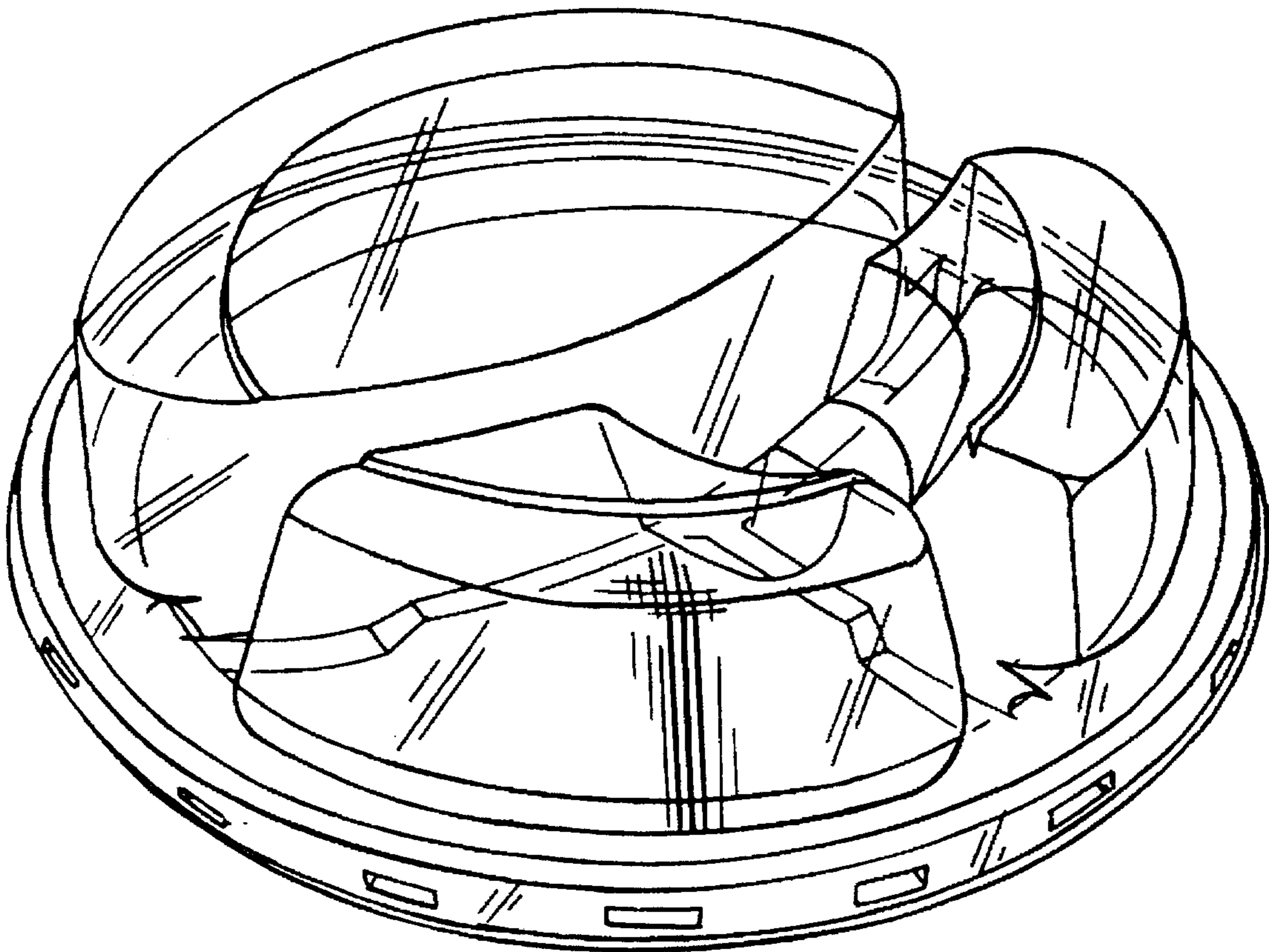
[57] **CLAIM**

The ornamental design for a compartmental cover for a container, as shown and described.

DESCRIPTION

FIG. 1 is a top front perspective view of a compartmental cover for a container showing our new design; FIG. 2 is a front elevational view thereof; FIG. 3 is a right side elevational view thereof, the left side being a mirror image of the right side; FIG. 4 is a rear elevational view thereof; FIG. 5 is a top plan view thereof; and, FIG. 6 is a bottom plan view thereof.

1 Claim, 2 Drawing Sheets



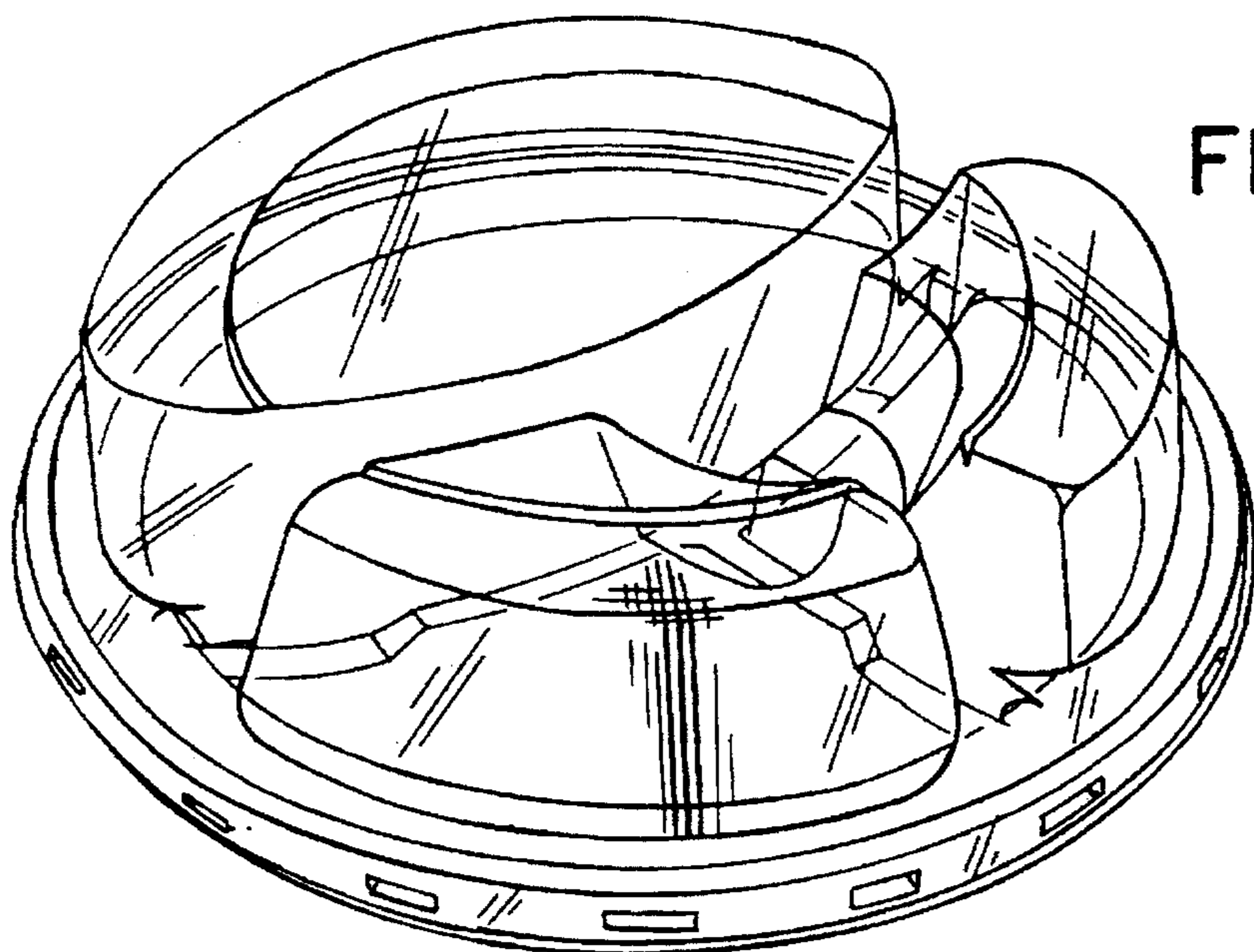


FIG. 1

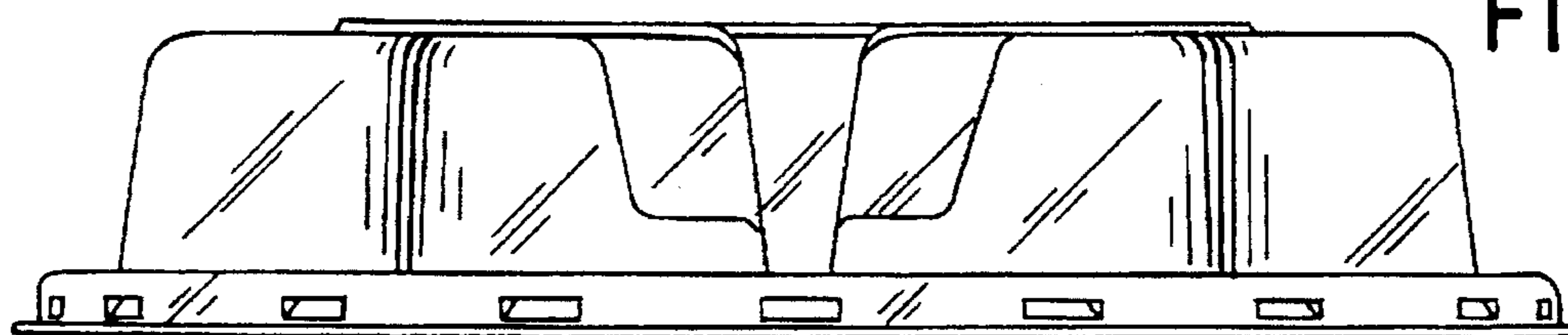


FIG. 2

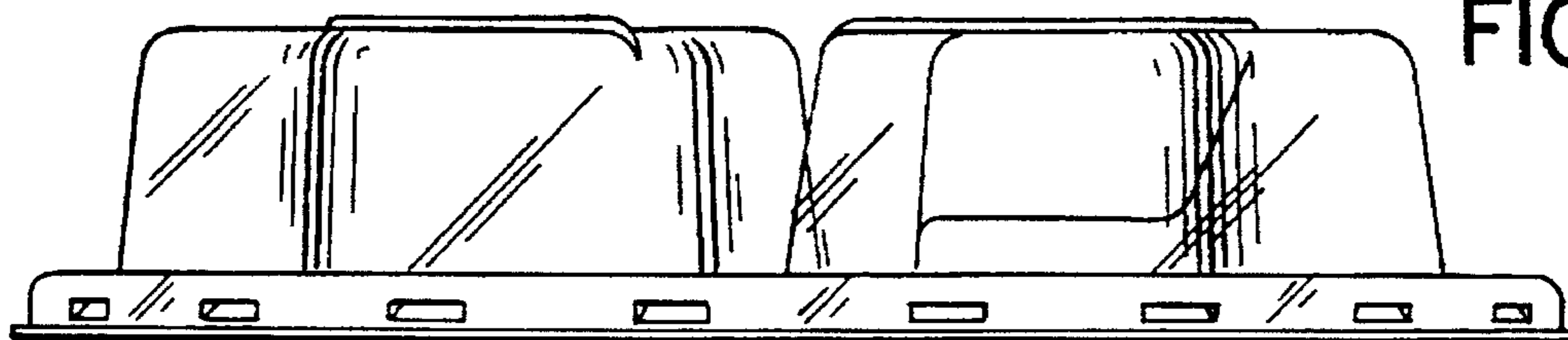


FIG. 3

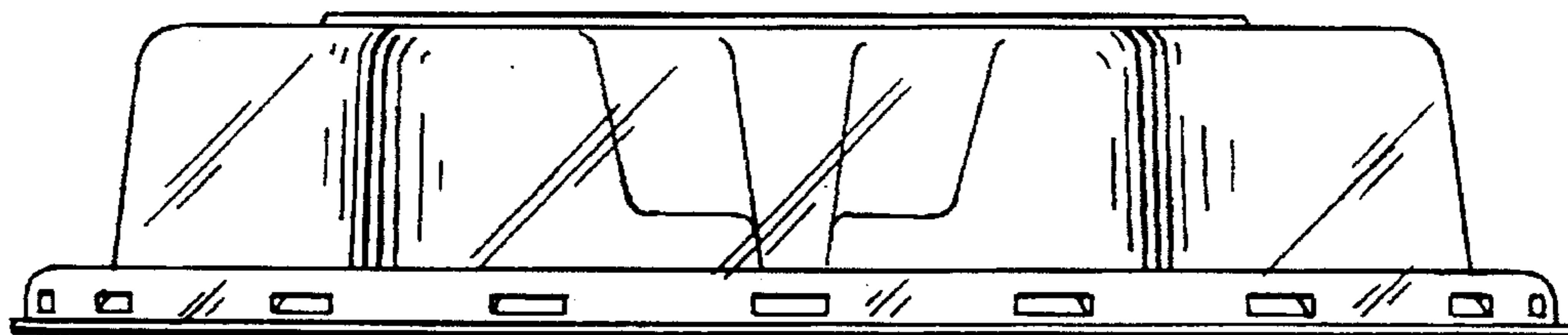


FIG. 4

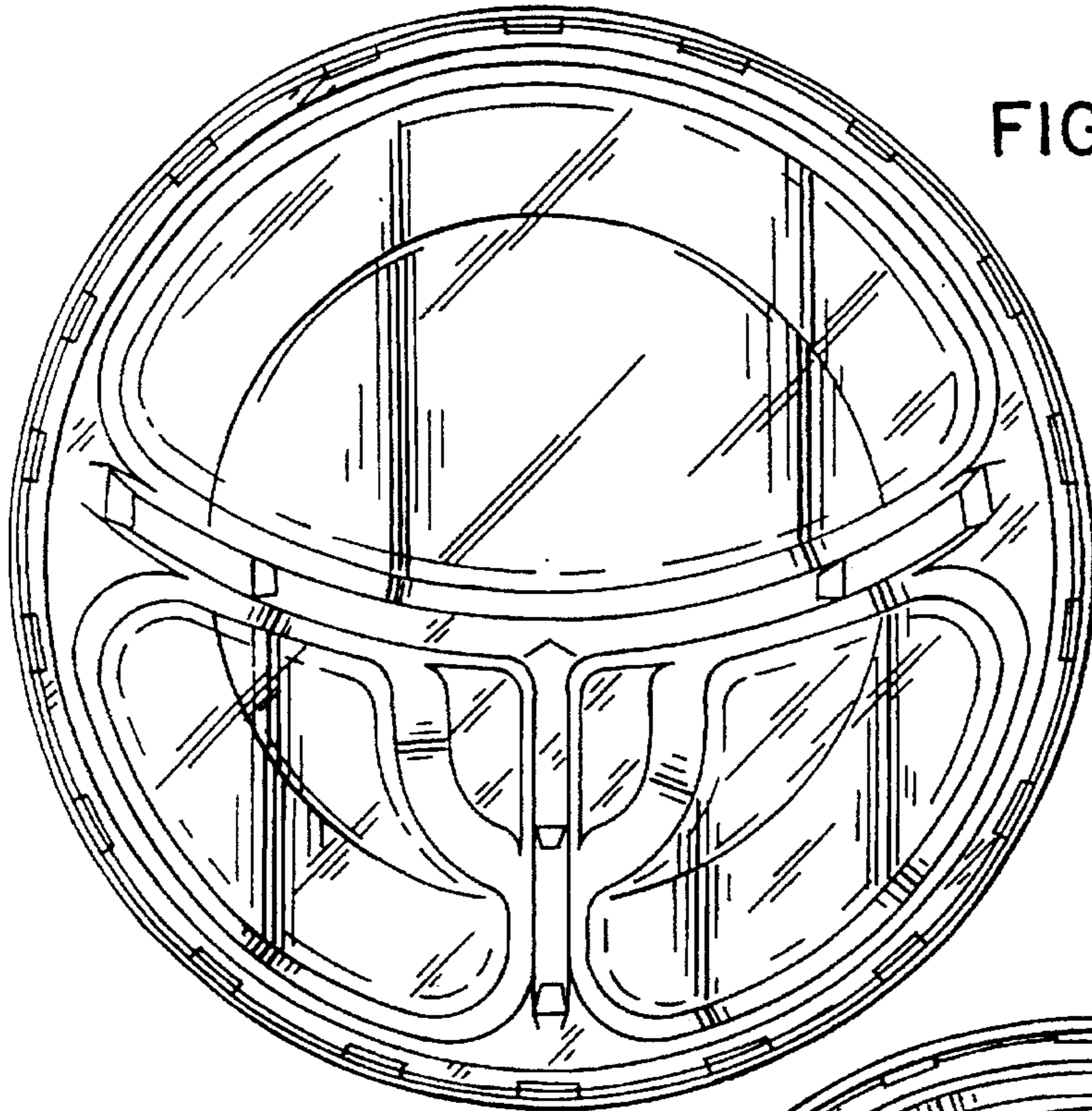


FIG. 5

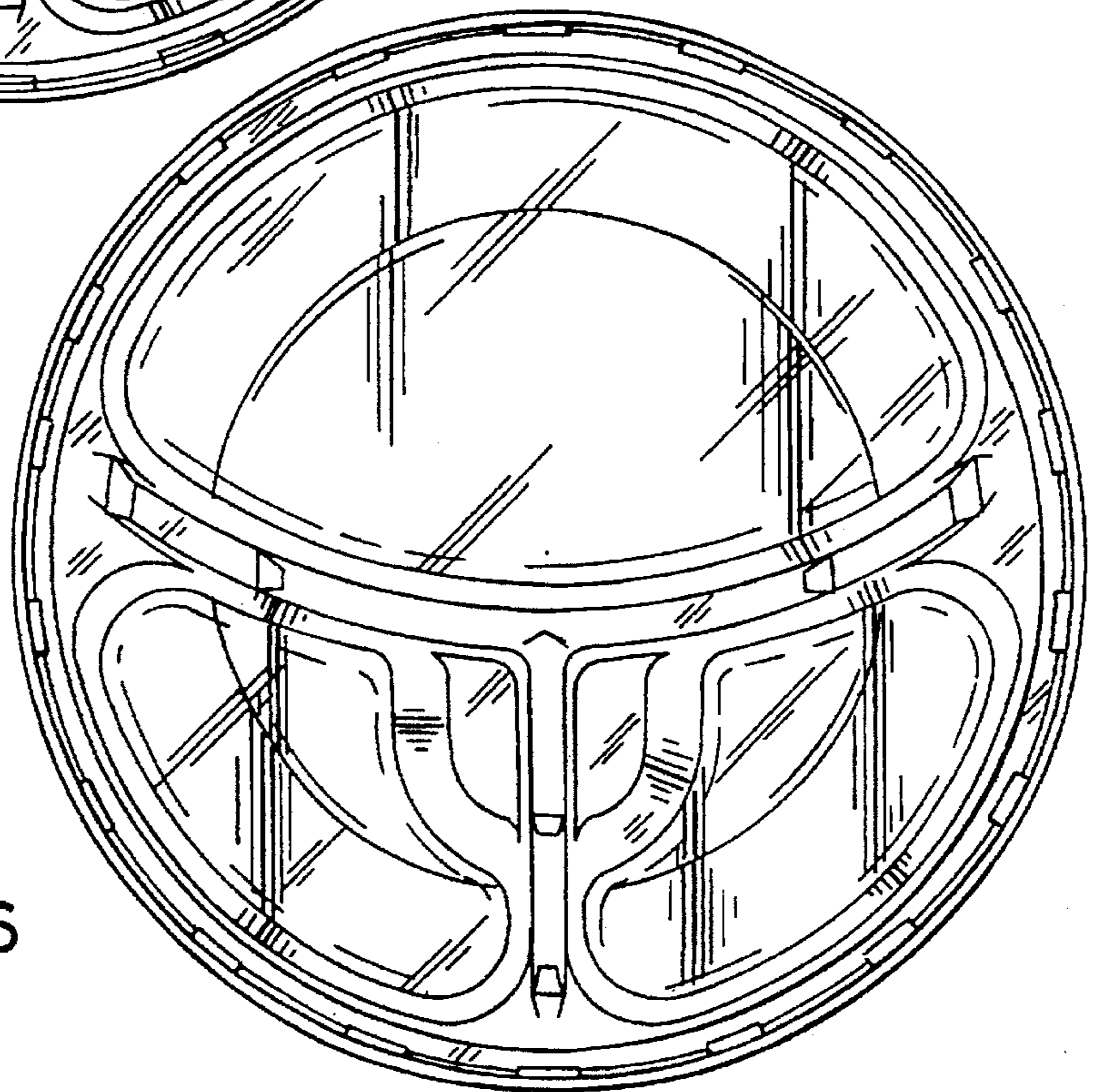


FIG. 6