



US00D383031S

United States Patent [19] Cousins

[11] Patent Number: **Des. 383,031**

[45] Date of Patent: ****Sep. 2, 1997**

[54] **STEAMER BASE**

[75] Inventor: **Morison S. Cousins**, Winter Park, Fla.

[73] Assignee: **Dart Industries, Inc.**, Orlando, Fla.

[**] Term: **14 Years**

[21] Appl. No.: **45,528**

[22] Filed: **Oct. 23, 1995**

[51] LOC (6) Cl. **07-02**

[52] U.S. Cl. **D7/354**

[58] Field of Search D7/359, 391, 393,
D7/396.1, 356, 342; 99/339, 410, 416,
403, 361

[56] **References Cited**

U.S. PATENT DOCUMENTS

- D. 122,775 10/1940 Hoople .
- D. 160,070 9/1950 Carr D7/391
- D. 182,704 5/1958 Billing et al. .
- D. 250,802 1/1979 Elliot et al. D7/356
- D. 329,570 9/1992 Gerlach D7/354 X
- D. 335,422 5/1993 Mano et al. D7/354 X
- D. 351,088 10/1994 Hsiao D7/403 X

D. 358,062 5/1995 Hasuike D7/354
5,370,259 12/1994 Cartigny 99/403 X

Primary Examiner—Stella Reid
Assistant Examiner—Frank Martinez
Attorney, Agent, or Firm—John A. Doninger

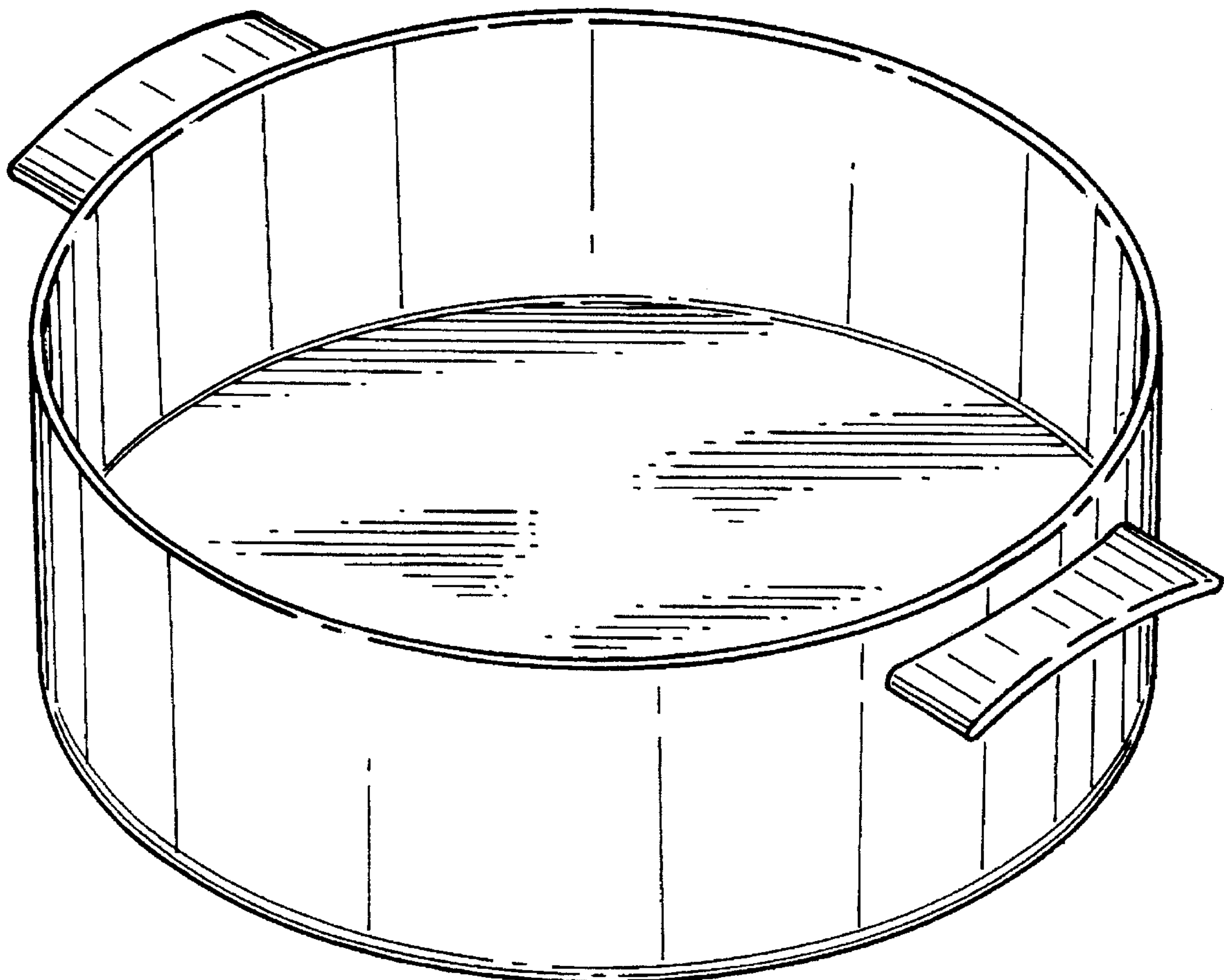
[57] **CLAIM**

The ornamental design for a steamer base, as shown and described.

DESCRIPTION

FIG. 1 is top, front and side perspective view of a steamer base showing my new design;
FIG. 2 is a top plan view thereof;
FIG. 3 is a bottom plan view thereof;
FIG. 4 is a front elevation view thereof;
FIG. 5 is a rear elevation view thereof;
FIG. 6 is a left side elevation view thereof;
FIG. 7 is a right side elevation view thereof;
FIG. 8 is a cross-section thereof taken on line 8—8 in FIG. 2; and,
FIG. 9 is a cross-section thereof taken on line 9—9 in FIG. 2.

1 Claim, 4 Drawing Sheets



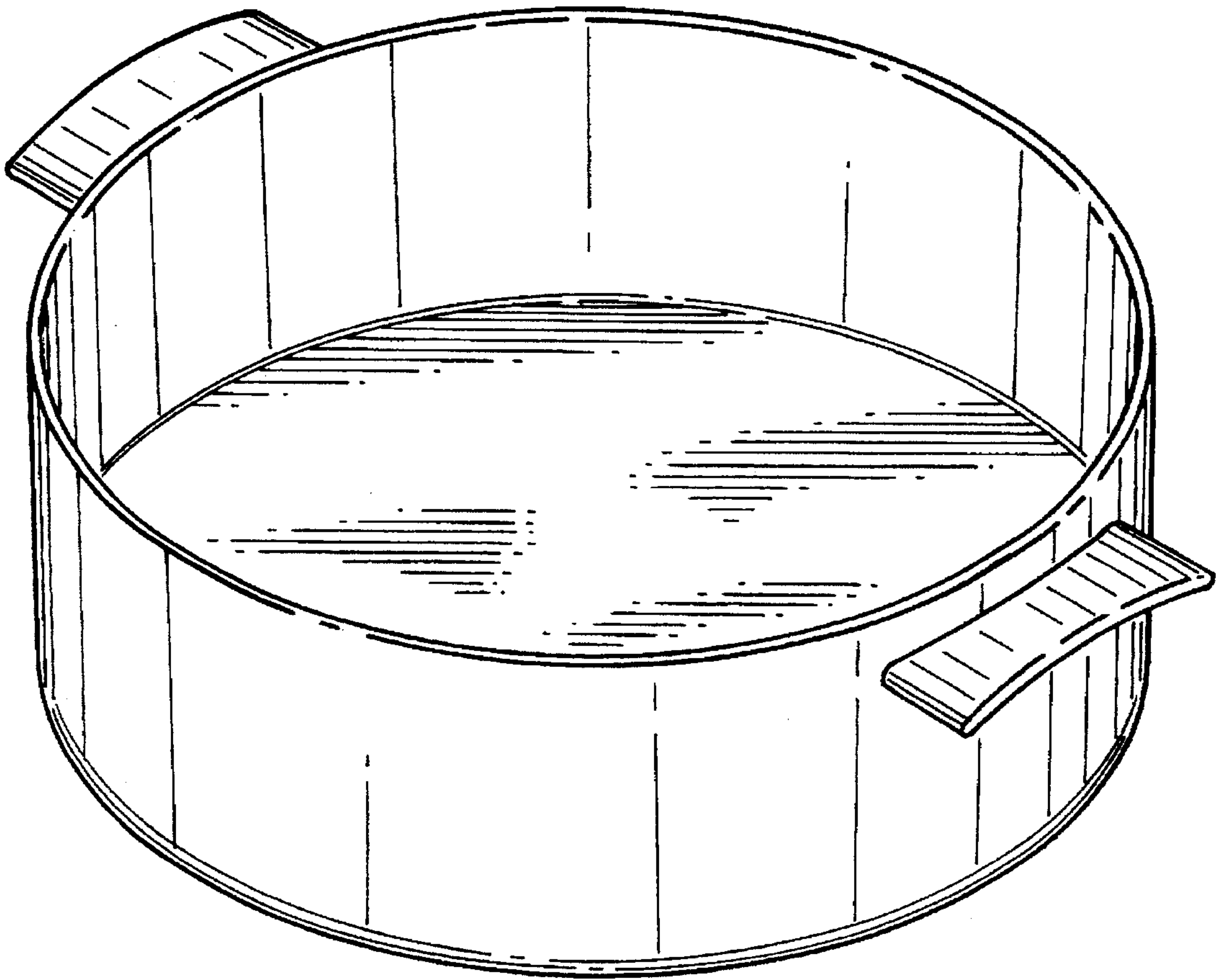
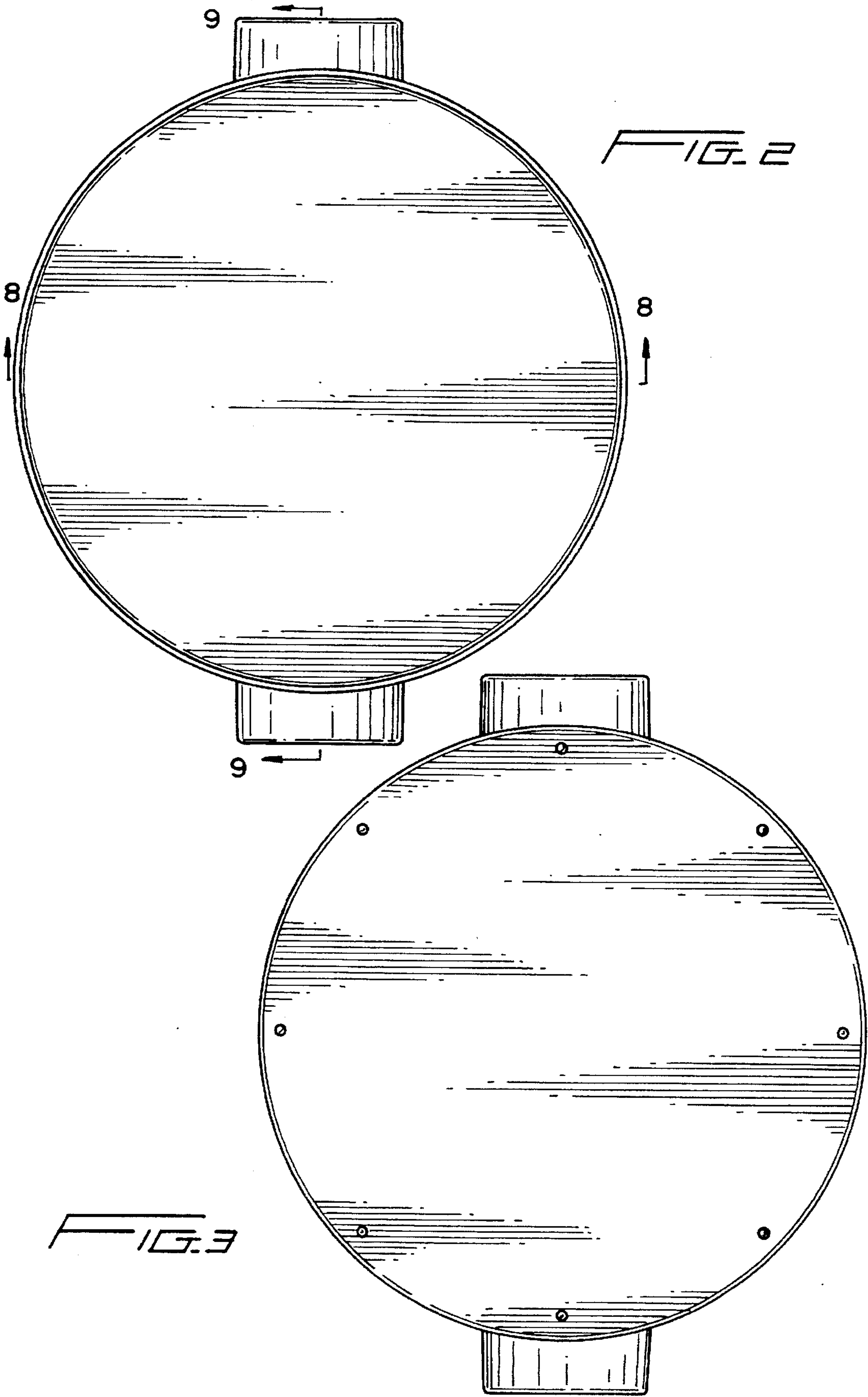


FIG. 1



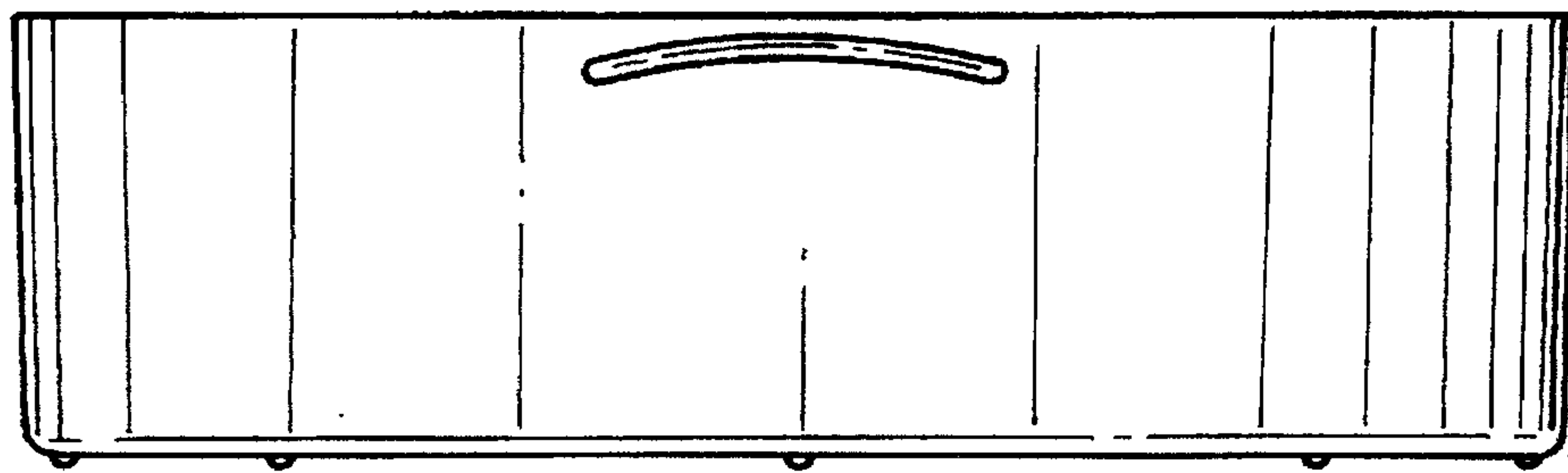


FIG. 4

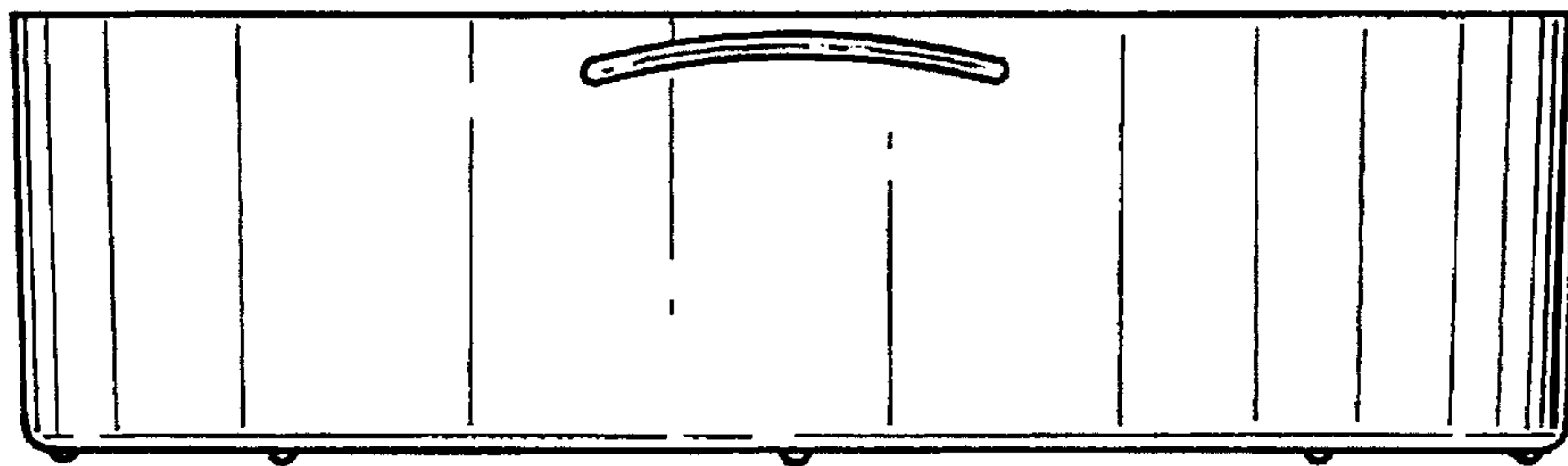


FIG. 5

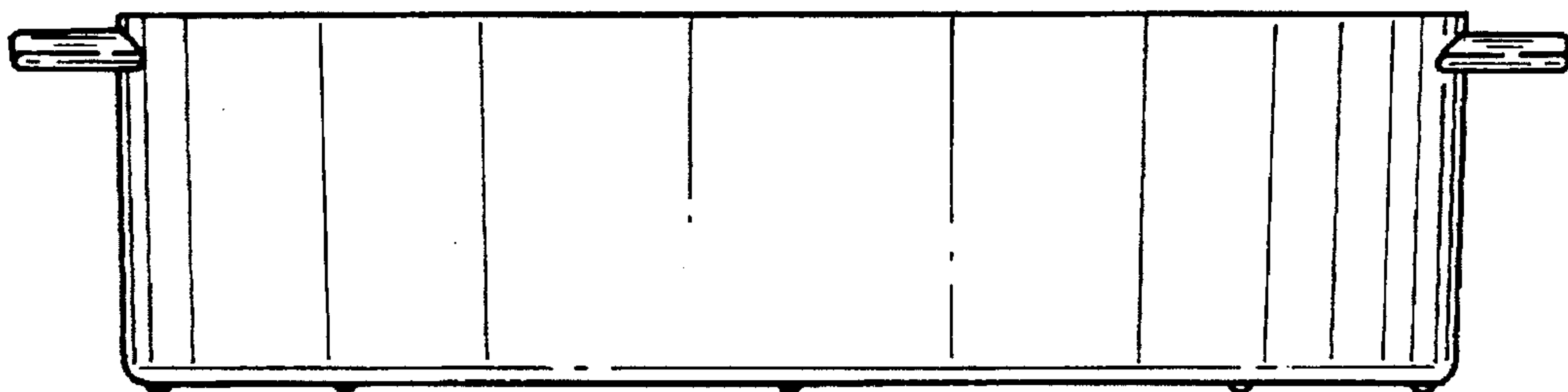


FIG. 6

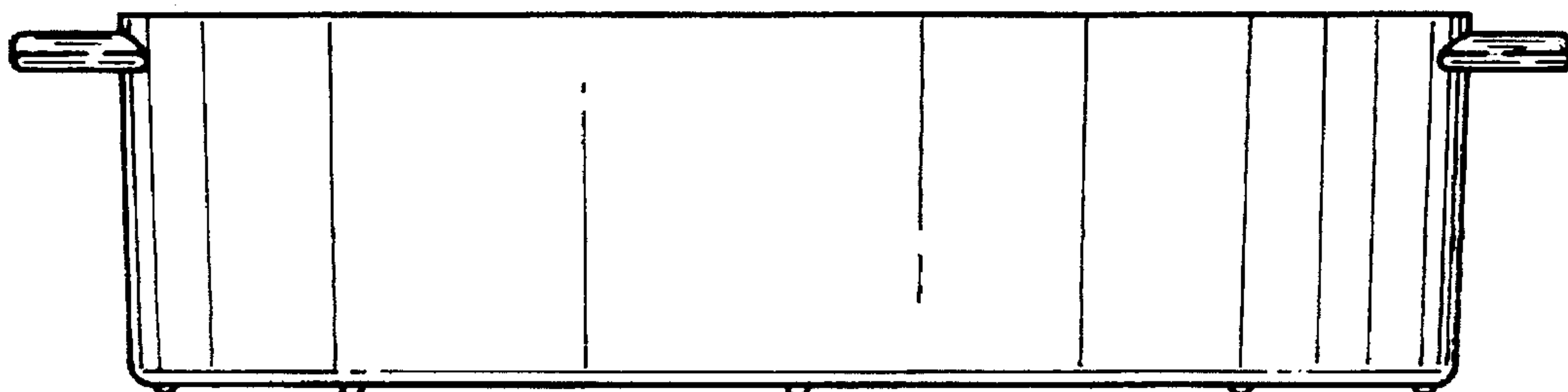


FIG. 7

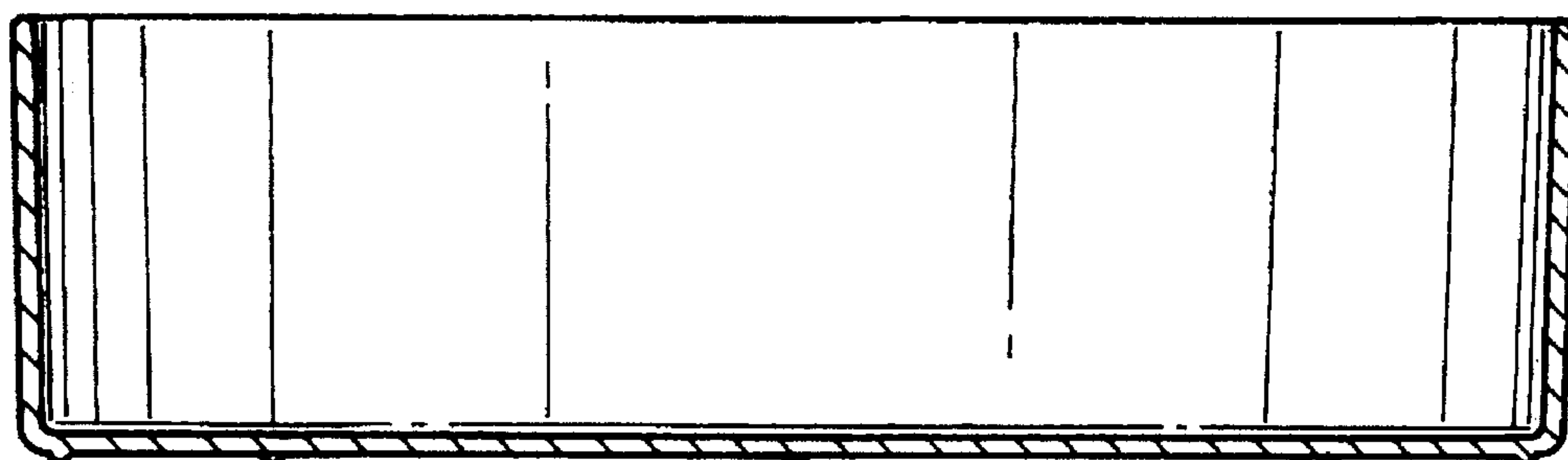


FIG. 8

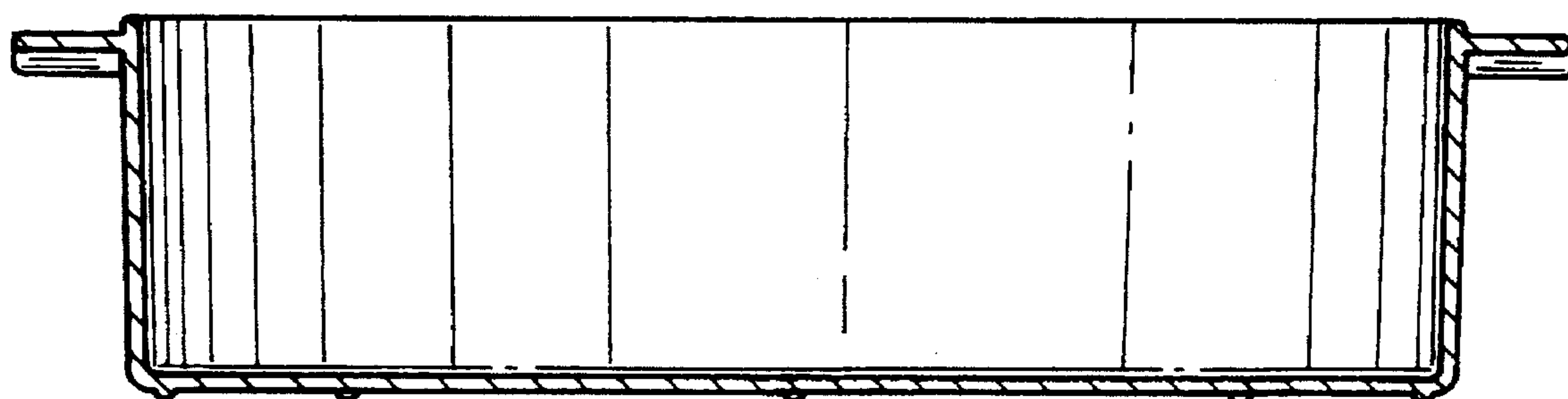


FIG. 9