



US00D383027S

United States Patent [19] Riedell

[11] Patent Number: **Des. 383,027**
[45] Date of Patent: ****Sep. 2, 1997**

[54] **BACK SUPPORT**

[76] Inventor: **Edwin H. Riedell**, 5131 Cribari Pl.,
San Jose, Calif. 95135

[**] Term: **14 Years**

[21] Appl. No.: **45,433**

[22] Filed: **Oct. 19, 1995**

[51] LOC (6) Cl. **06-09**

[52] U.S. Cl. **D6/601; D6/596**

[58] Field of Search D6/368, 595, 596,
D6/597, 601, 602, 603, 604, 605, 606,
607, 608, 609, 611, 616; 297/465, 284.5,
452.23, 284.4, DIG. 1, 284.1; 5/448, 645,
652-655, 636-638, 709

[56] **References Cited**

U.S. PATENT DOCUMENTS

- D. 317,541 6/1991 Carwile D6/601
- D. 349,962 8/1994 Rogers D6/601

- D. 359,192 6/1995 Franklin, III D6/606
- D. 364,065 11/1995 Peart et al. D6/601
- 2,307,331 1/1943 Parker, Jr. 297/284.5
- 2,591,306 4/1952 Sherman 297/284.5
- 4,862,536 9/1989 Pruitt 297/284.5
- 5,551,752 9/1996 Lovegrove et al. 297/284.4

Primary Examiner—Martie Thompson

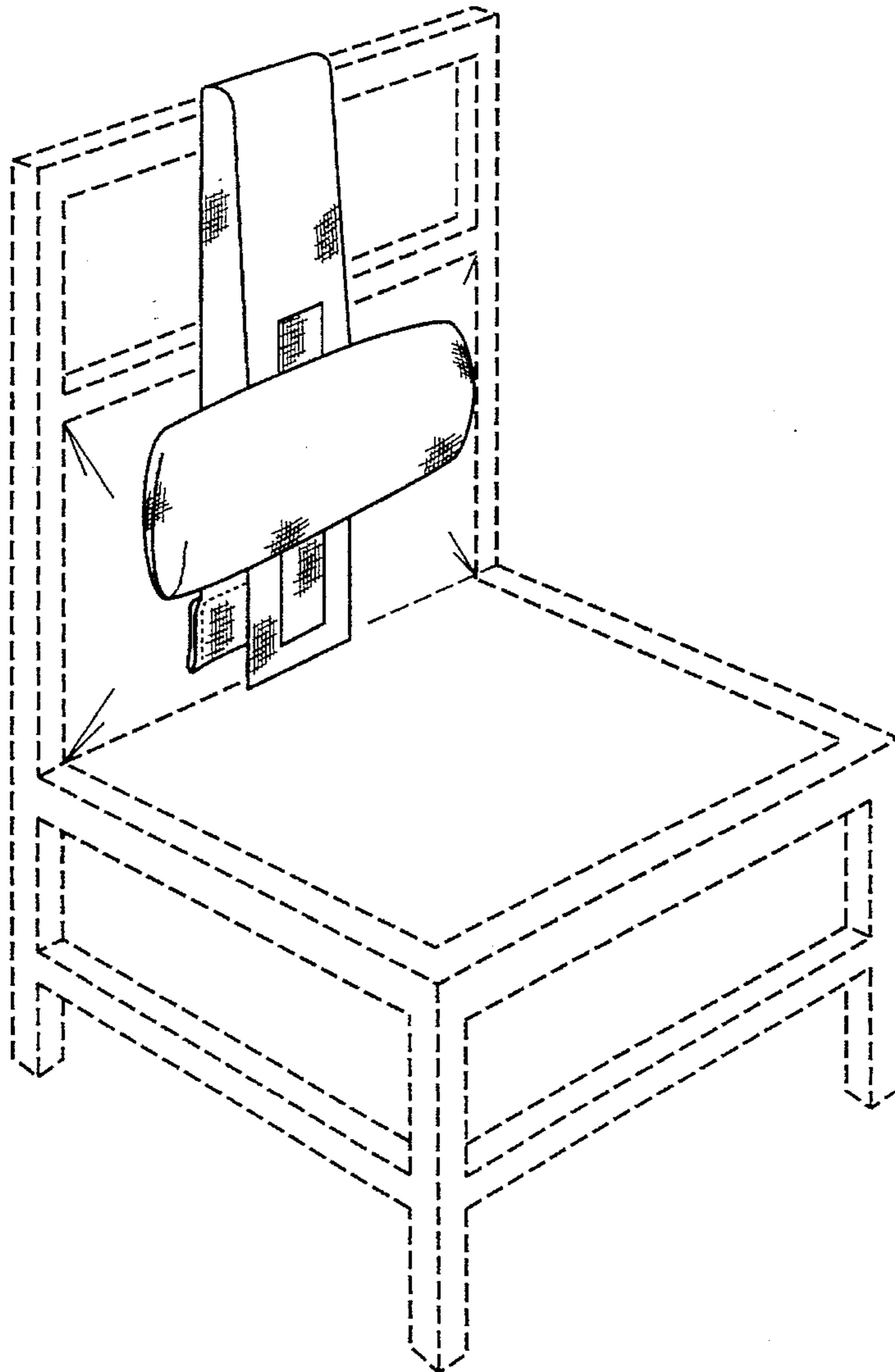
[57] **CLAIM**

The ornamental design for a back support, as shown and described.

DESCRIPTION

FIG. 1 is a perspective view of a back support showing my new design;
 FIG. 2 is a top plan view thereof;
 FIG. 3 is a bottom view thereof;
 FIG. 4 is a right side elevational view thereof with the left side elevational view being a mirror image thereof;
 FIG. 5 is an end view taken along the line 5—5; and,
 FIG. 6 is an end view taken along the line 6—6 of FIG. 4.

1 Claim, 2 Drawing Sheets



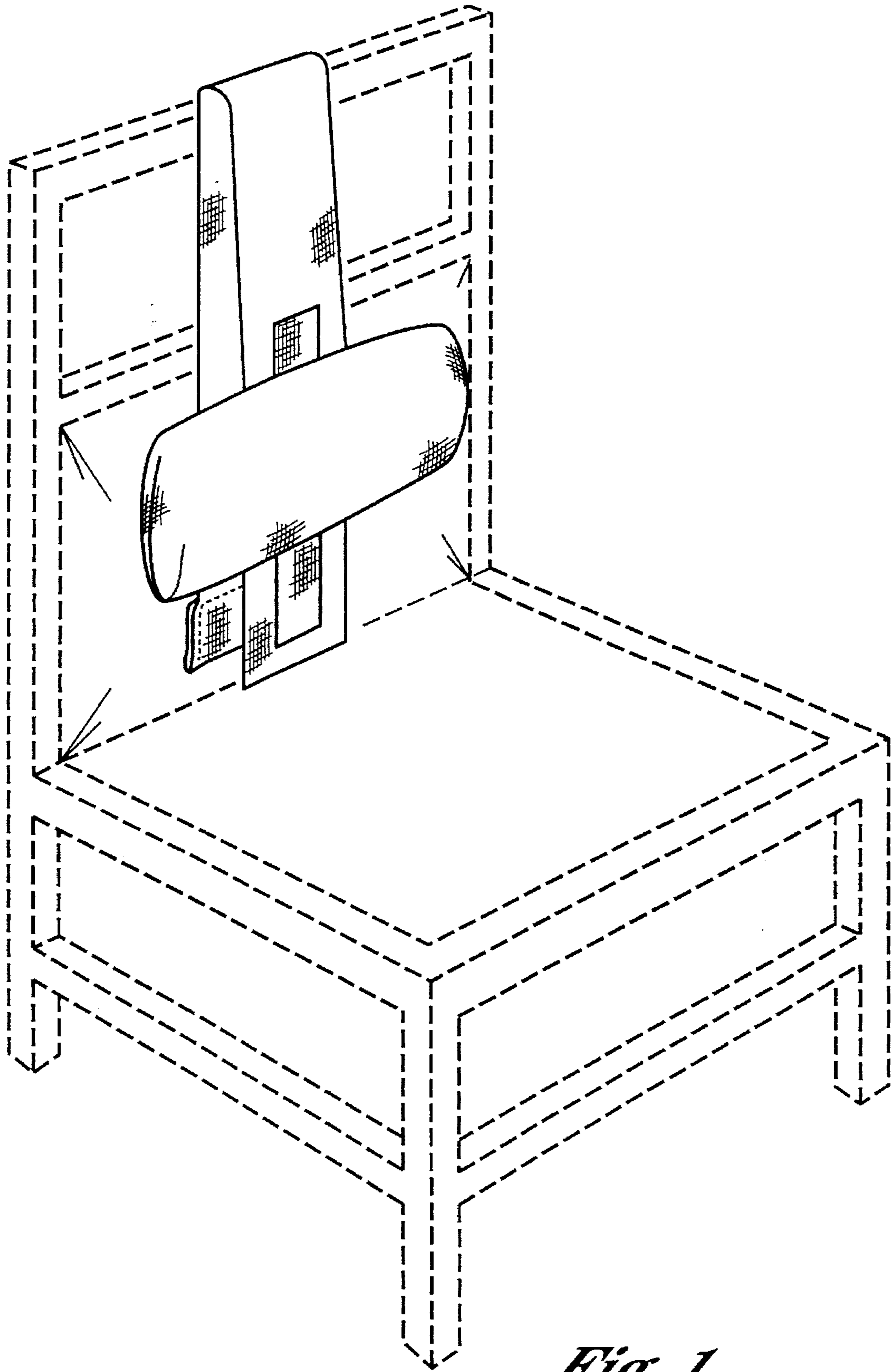


Fig. 1

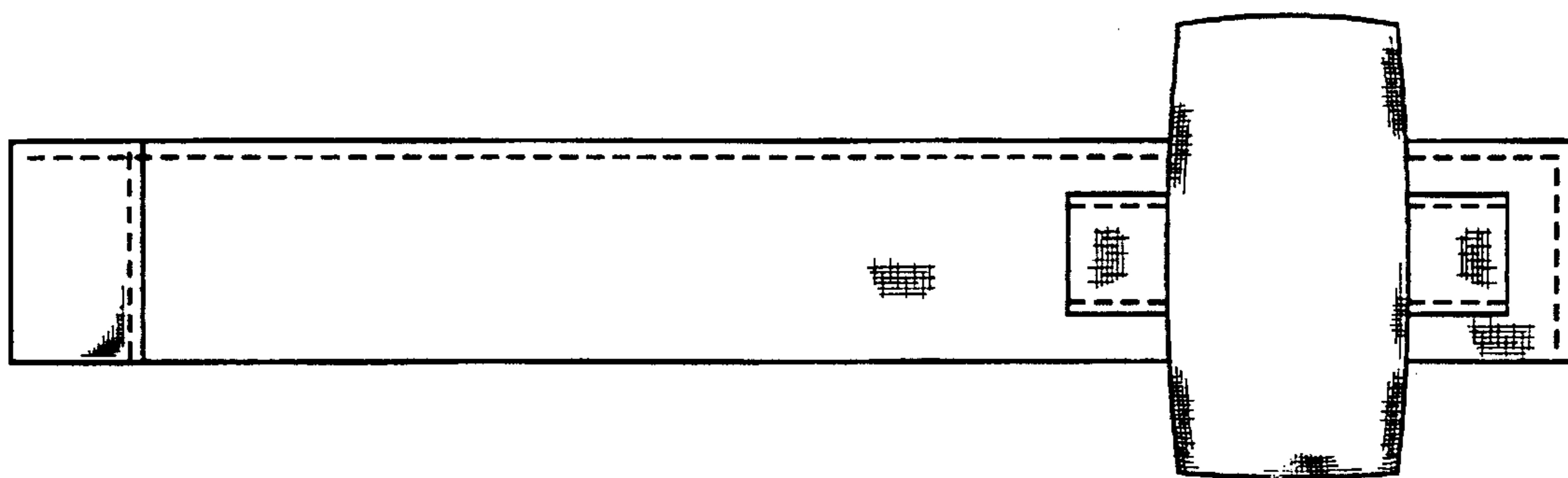


Fig. 2

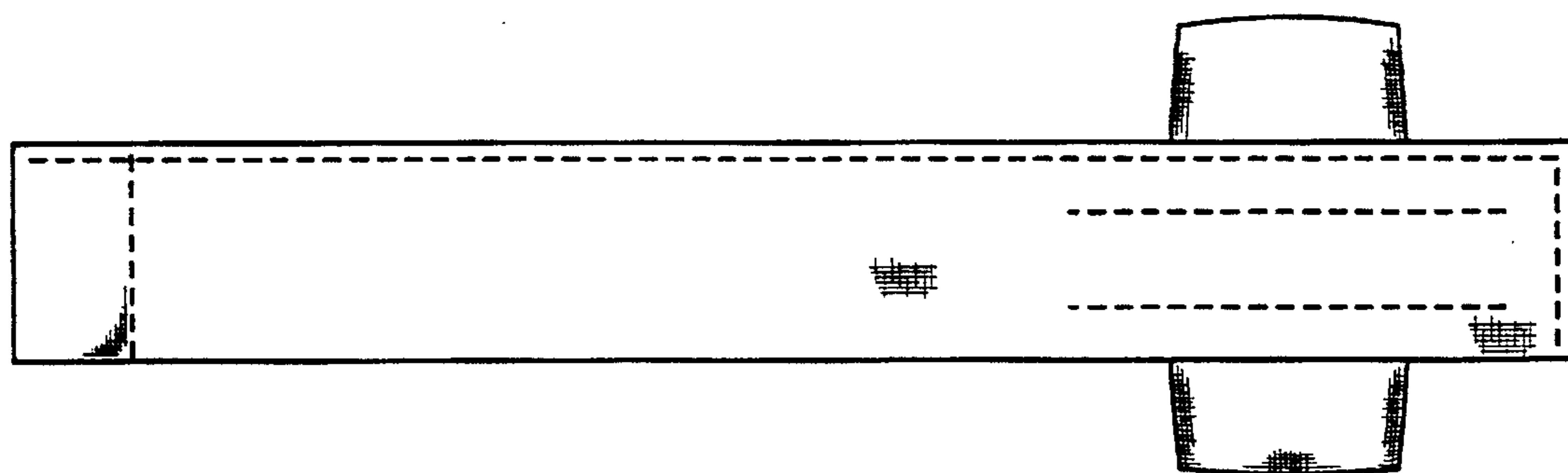


Fig. 3

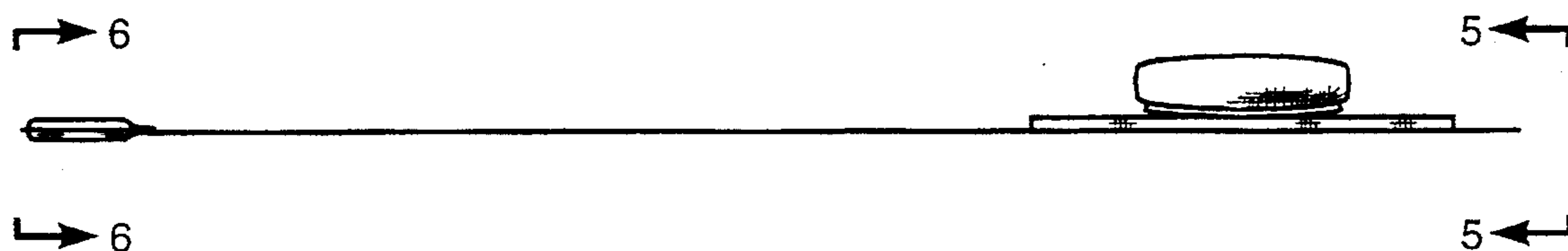


Fig. 4



Fig. 5

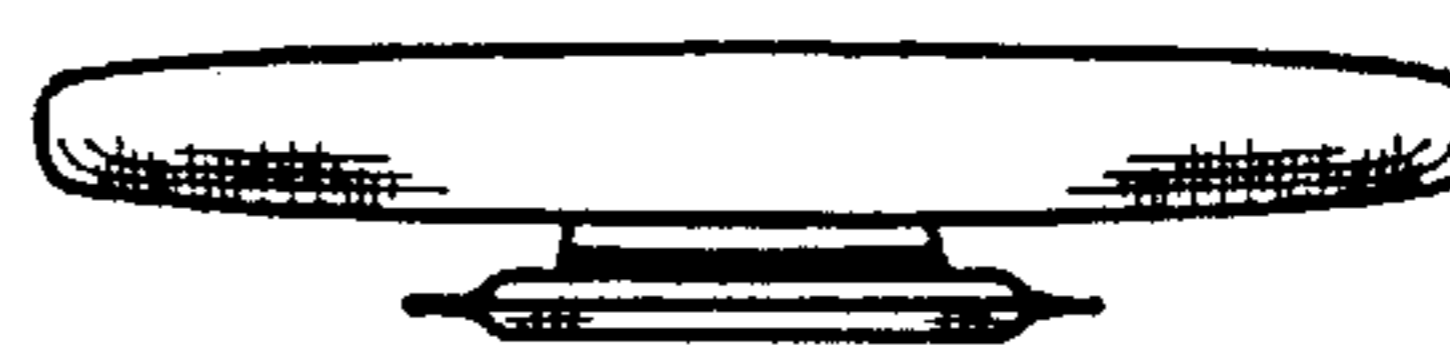


Fig. 6