



US00D383025S

United States Patent [19]
Warshawsky

[11] **Patent Number: Des. 383,025**

[45] **Date of Patent: **Sep. 2, 1997**

[54] **LIQUID SOAP DISPENSER**

D. 279,062 6/1985 Kanfer D6/542 X
D. 349,649 8/1994 Hanna D6/542 X

[75] **Inventor: Jerome Warshawsky**, Hewlett Harbor, N.Y.

Primary Examiner—Brian N. Vinson
Attorney, Agent, or Firm—Alfred M. Walker

[73] **Assignee: I.W. Industries, Inc.**, Melville, N.Y.

[57] **CLAIM**

[**] **Term: 14 Years**

The ornamental design for a liquid soap dispenser, as shown and described.

[21] **Appl. No.: 56,355**

[22] **Filed: Jun. 27, 1996**

DESCRIPTION

[51] **LOC (6) Cl. 07-07**

[52] **U.S. Cl. D6/542**

[58] **Field of Search** D6/542, 545; 222/153, 222/181, 182, 204, 209, 383-384

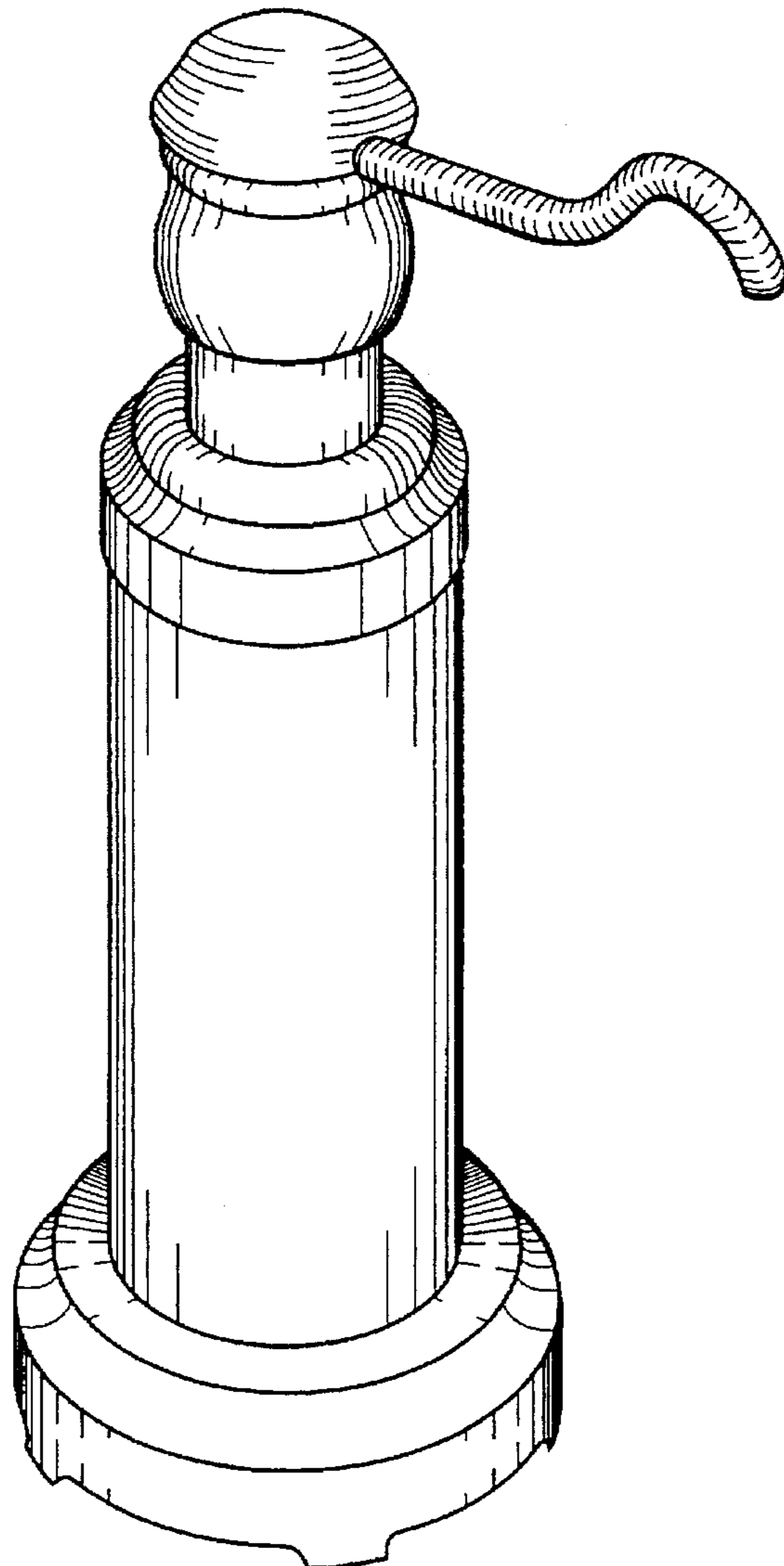
FIG. 1 is a perspective view of a liquid soap dispenser, showing my new design;
FIG. 2 is a right side view thereof;
FIG. 3 is a left side view thereof;
FIG. 4 is a front view thereof; and,
FIG. 5 is a rear view thereof.
FIG. 6 is a top plan view thereof; and,
FIG. 7 is a bottom view thereof.

[56] **References Cited**

U.S. PATENT DOCUMENTS

D. 73,185 8/1927 *Levernier* D6/542
D. 247,940 5/1978 *Tobin* D6/542

1 Claim, 4 Drawing Sheets



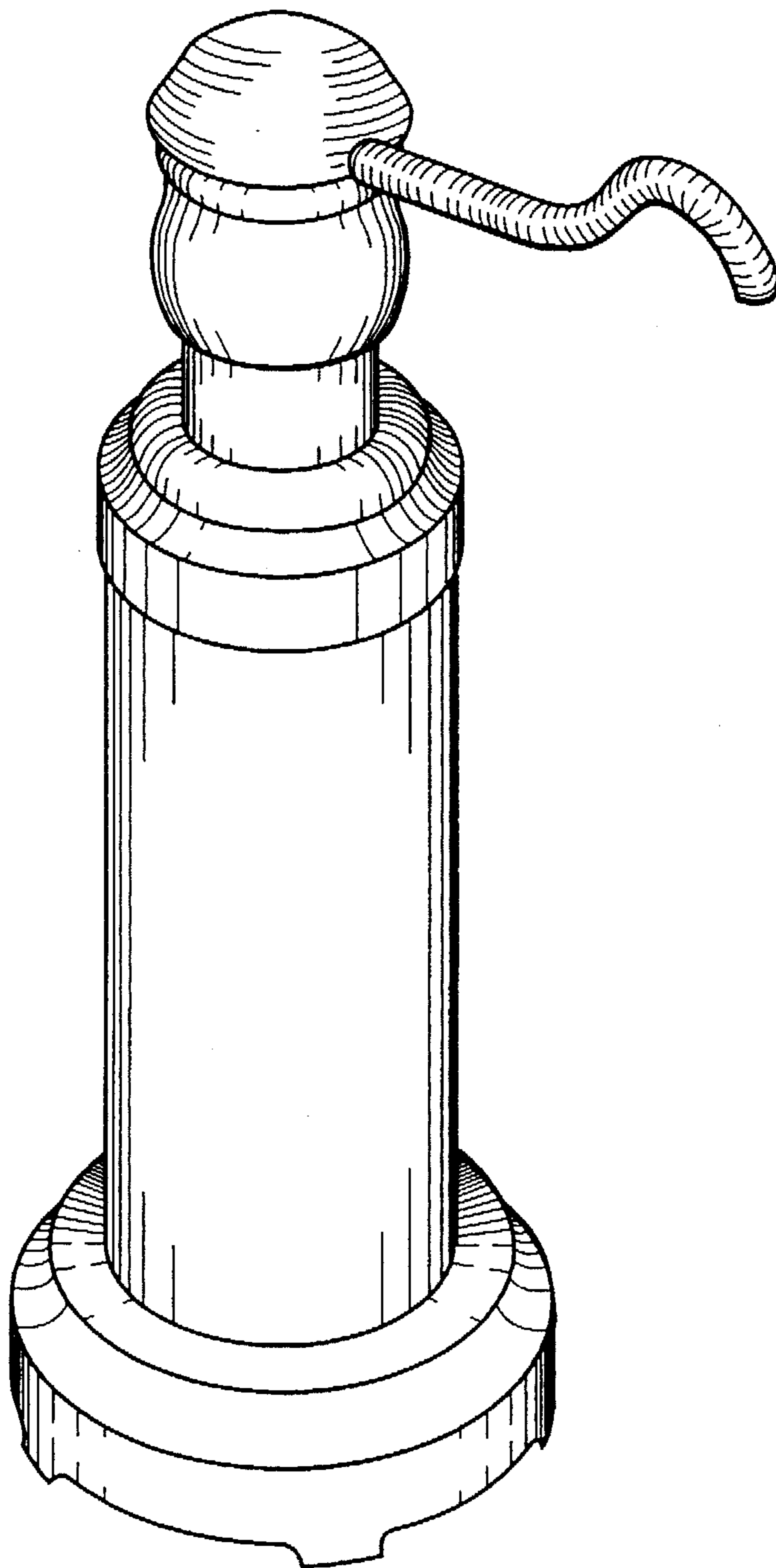


FIG. 1

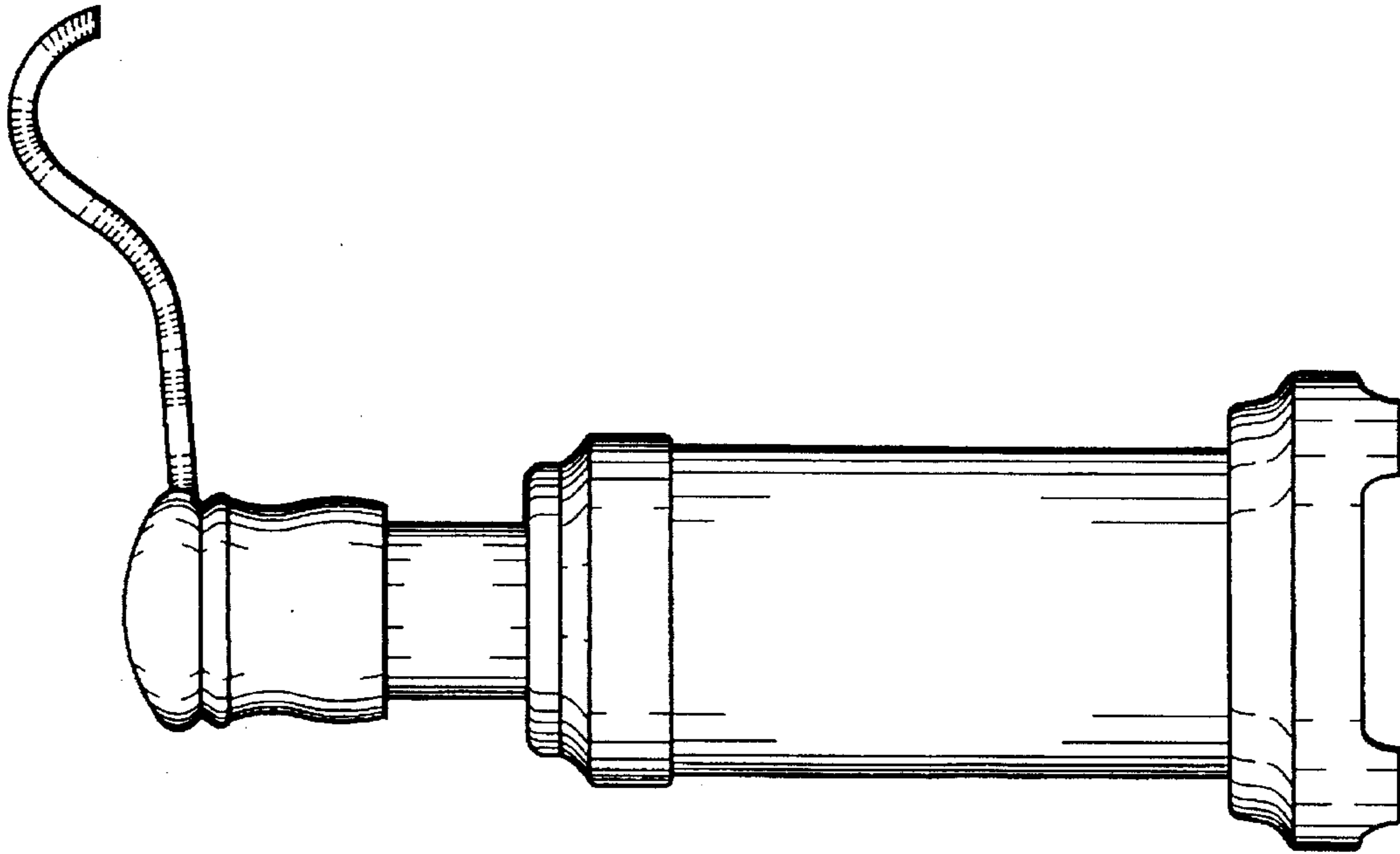


FIG. 3

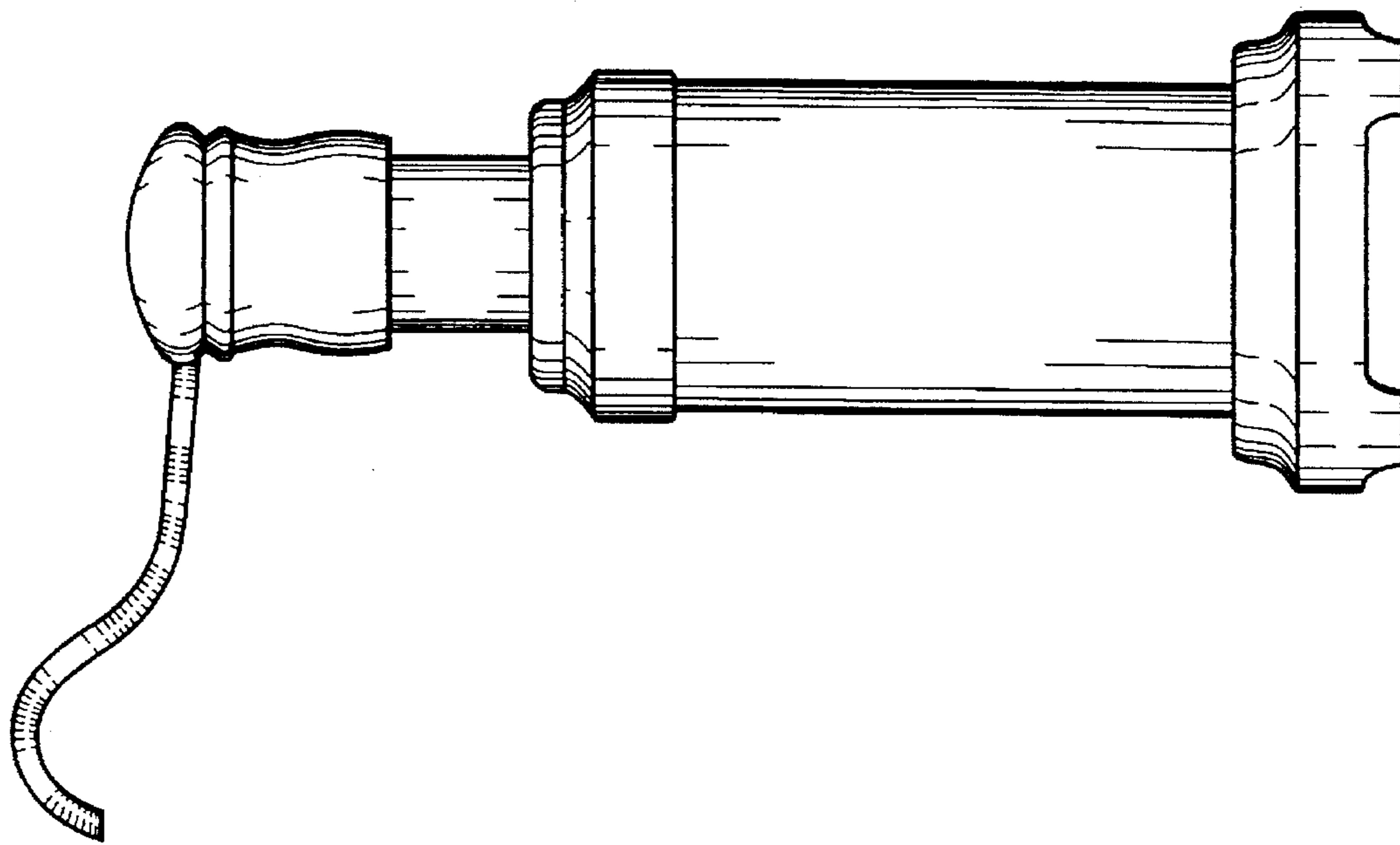


FIG. 2

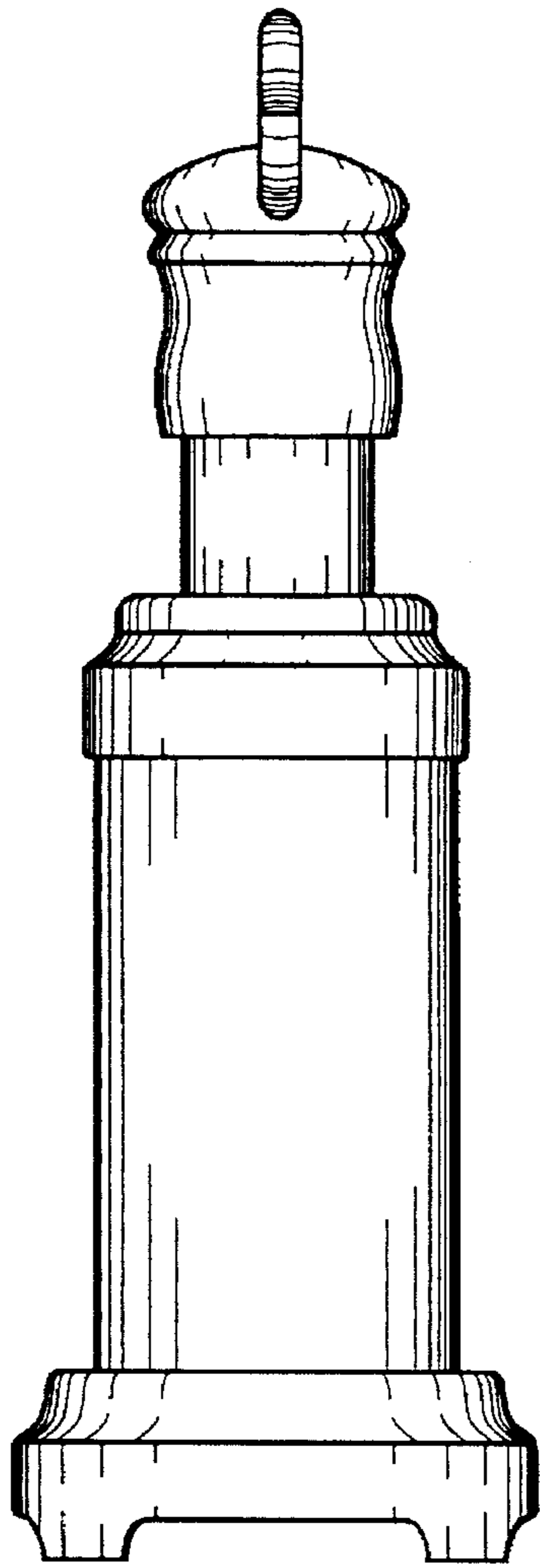


FIG. 4

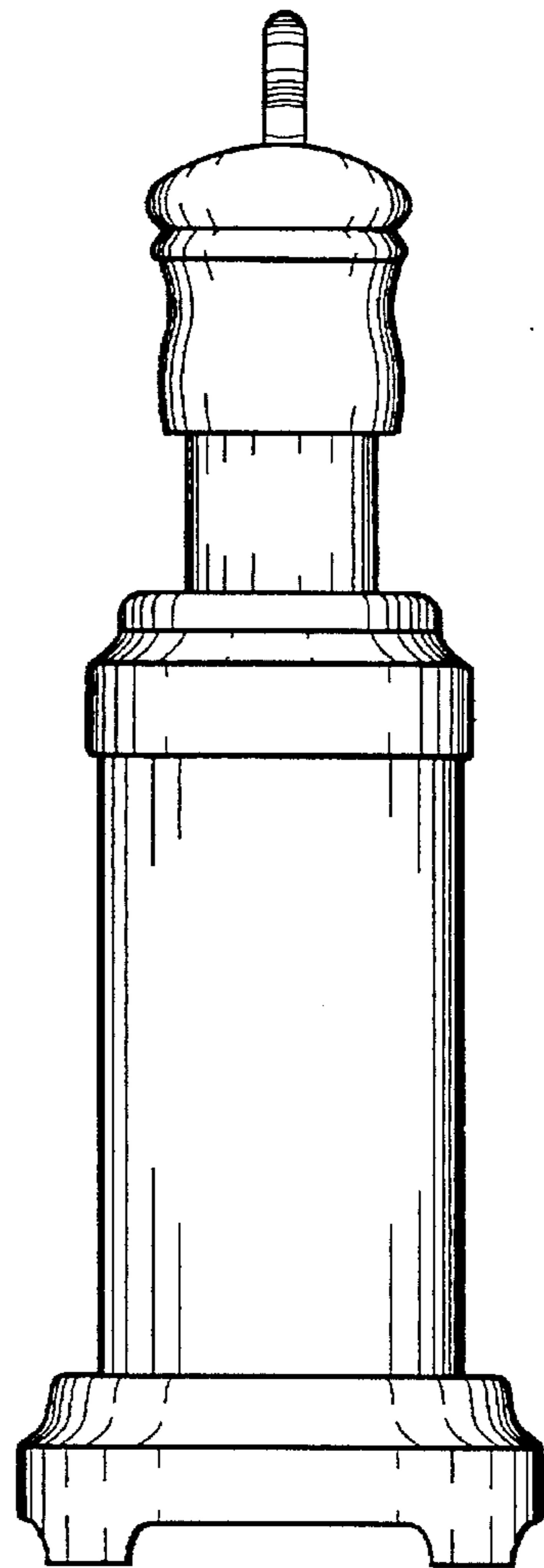


FIG. 5

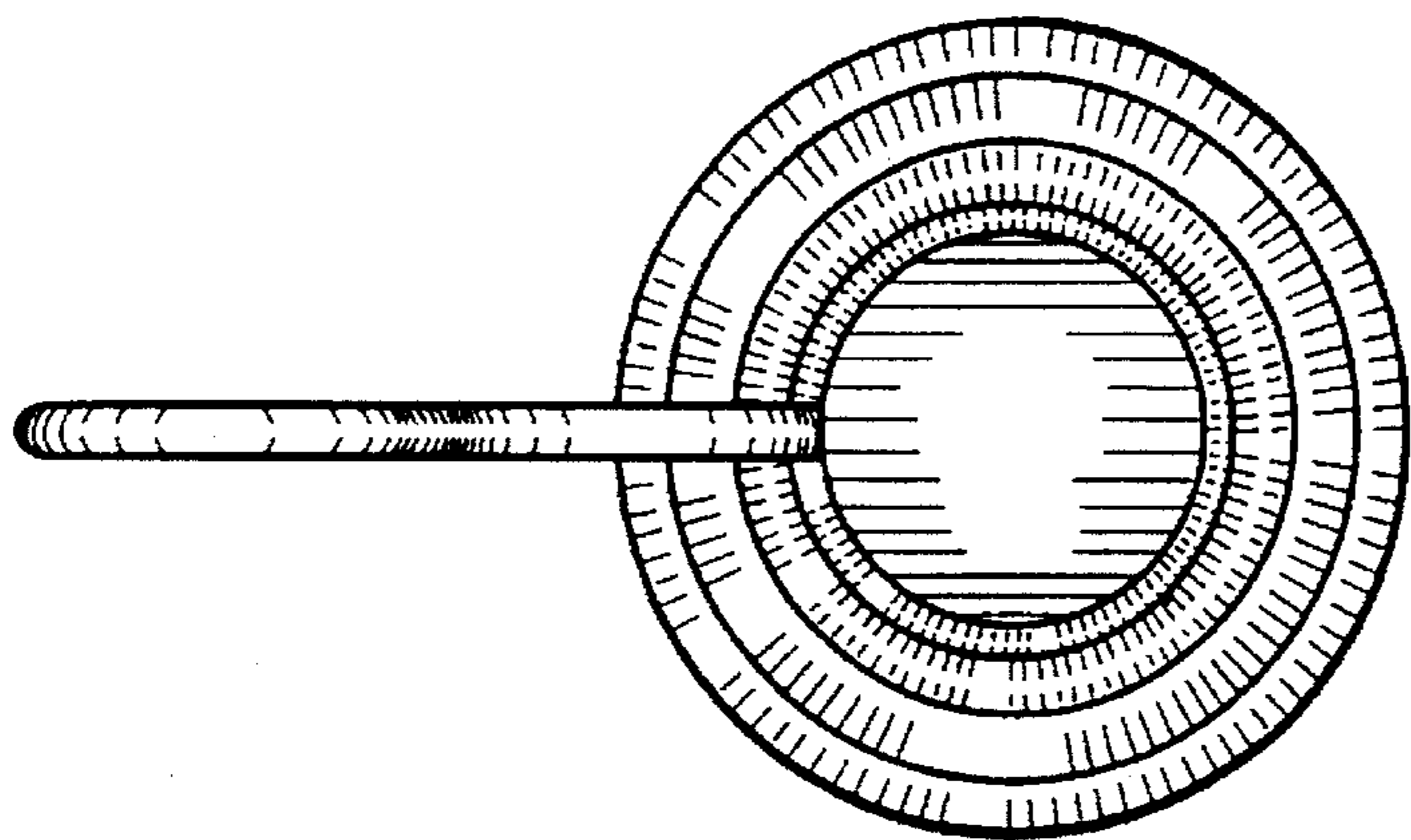


FIG. 6

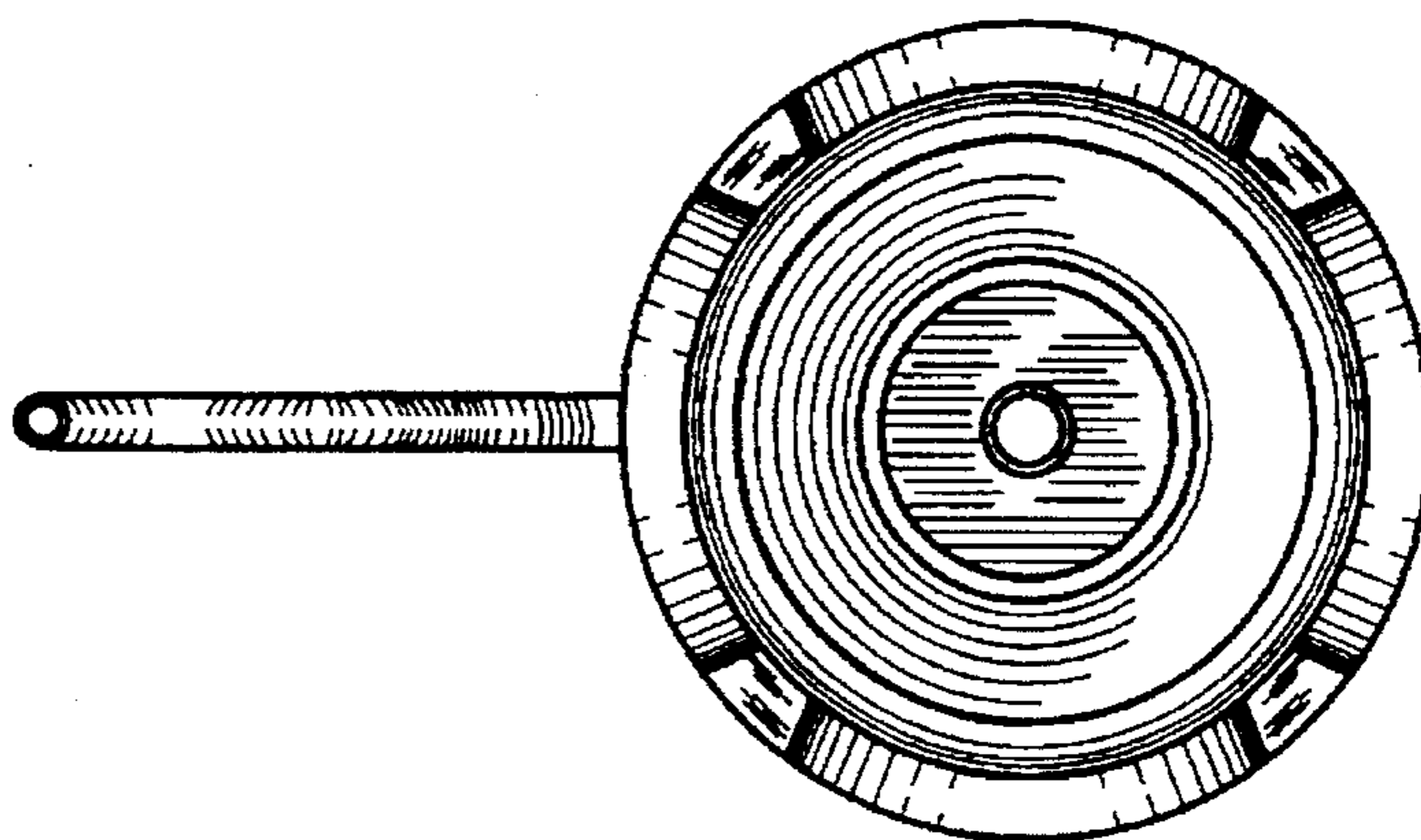


FIG. 7