



US00D383021S

United States Patent [19]

[11] Patent Number: **Des. 383,021**

Lu

[45] Date of Patent: ****Sep. 2, 1997**

[54] **CHAIR BODY**

D. 371,265 7/1996 McDiarmid D6/502

[76] Inventor: **Chieh-Tsung Lu**, No. 1 Lane 292, Sec. 2 Ya-Tan Road, Tan-Tze Hsiang, Taichung Hsien, Taiwan

OTHER PUBLICATIONS

Factory Direct Furniture, p. 2, Chair #F11126 at right.

[**] Term: **14 Years**

Primary Examiner—Gary D. Watson

Attorney, Agent, or Firm—Morton J. Rosenberg; David I. Klein

[21] Appl. No.: **55,850**

[57] **CLAIM**

[22] Filed: **Jun. 14, 1996**

The ornamental design for a chair body, as shown and described.

[51] LOC (6) Cl. **06-06**

[52] U.S. Cl. **D6/500; D6/366**

[58] Field of Search D6/334, 335, 356, D6/364, 365, 366, 372, 373, 374, 379, 500, 501, 502; 297/411.44, 452.36

DESCRIPTION

FIG. 1 is a front elevational view of a chair body showing my new design;

FIG. 2 is a left side elevational view thereof;

FIG. 3 is a right side elevational view thereof;

FIG. 4 is a top plan view thereof;

FIG. 5 is a bottom plan view thereof;

FIG. 6 is a rear elevational view thereof; and,

FIG. 7 is a perspective view thereof.

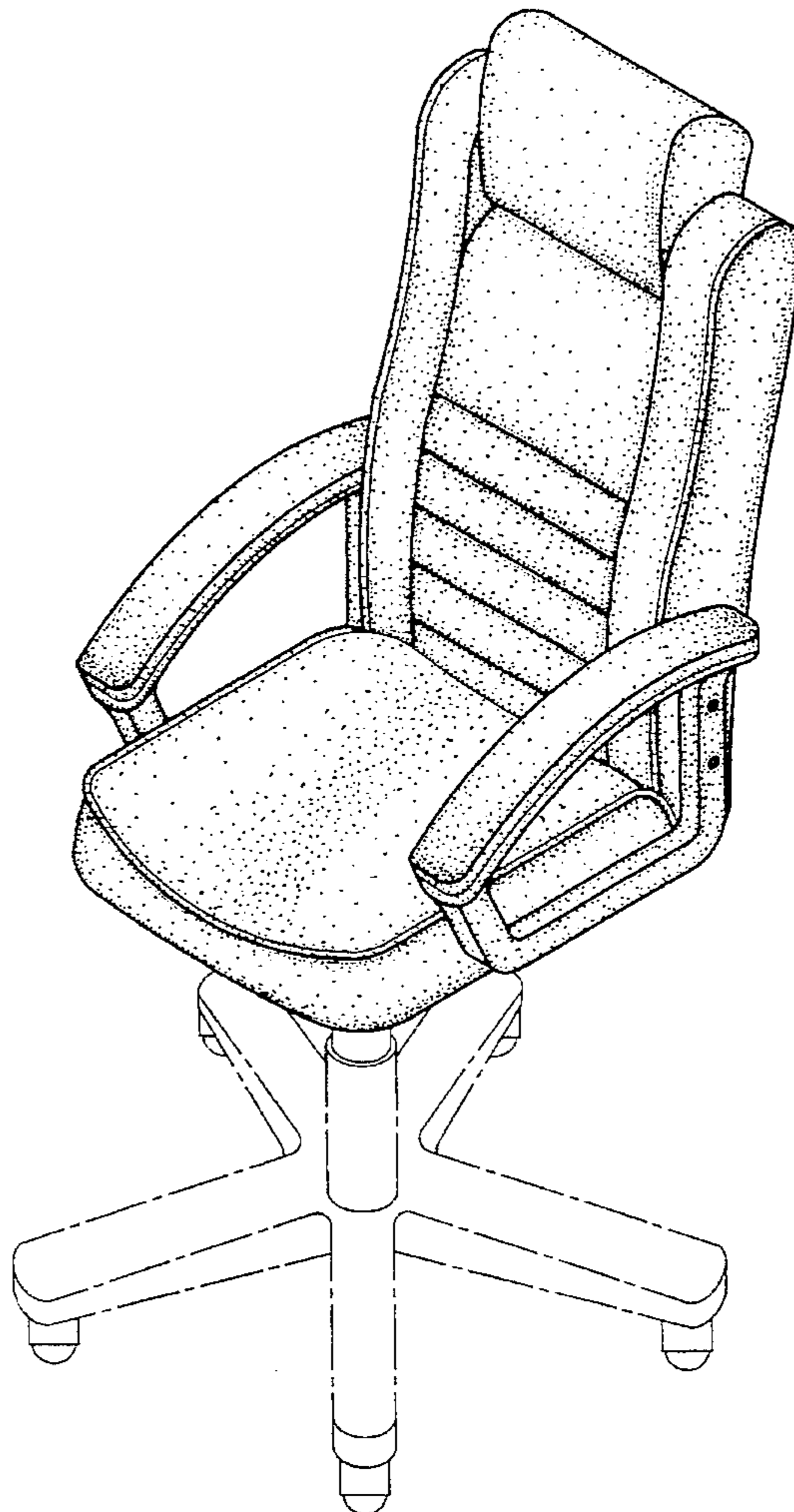
FIG. 7 has been shown on an enlarged scale. The broken line showing of a chair base in FIG. 7 is for illustrative purposes only and forms no part of the claimed design.

[56] **References Cited**

U.S. PATENT DOCUMENTS

- D. 223,244 4/1972 Prashker D6/366 X
- D. 270,310 8/1983 Ochsner D6/366
- D. 275,430 9/1984 Ochsner D6/366
- D. 280,470 9/1985 Higgins D6/356
- D. 295,466 5/1988 Bellini D6/366
- D. 365,216 12/1995 Smith D6/356
- D. 369,489 5/1996 McDiarmid D6/502
- D. 371,264 7/1996 McDiarmid D6/502

1 Claim, 4 Drawing Sheets



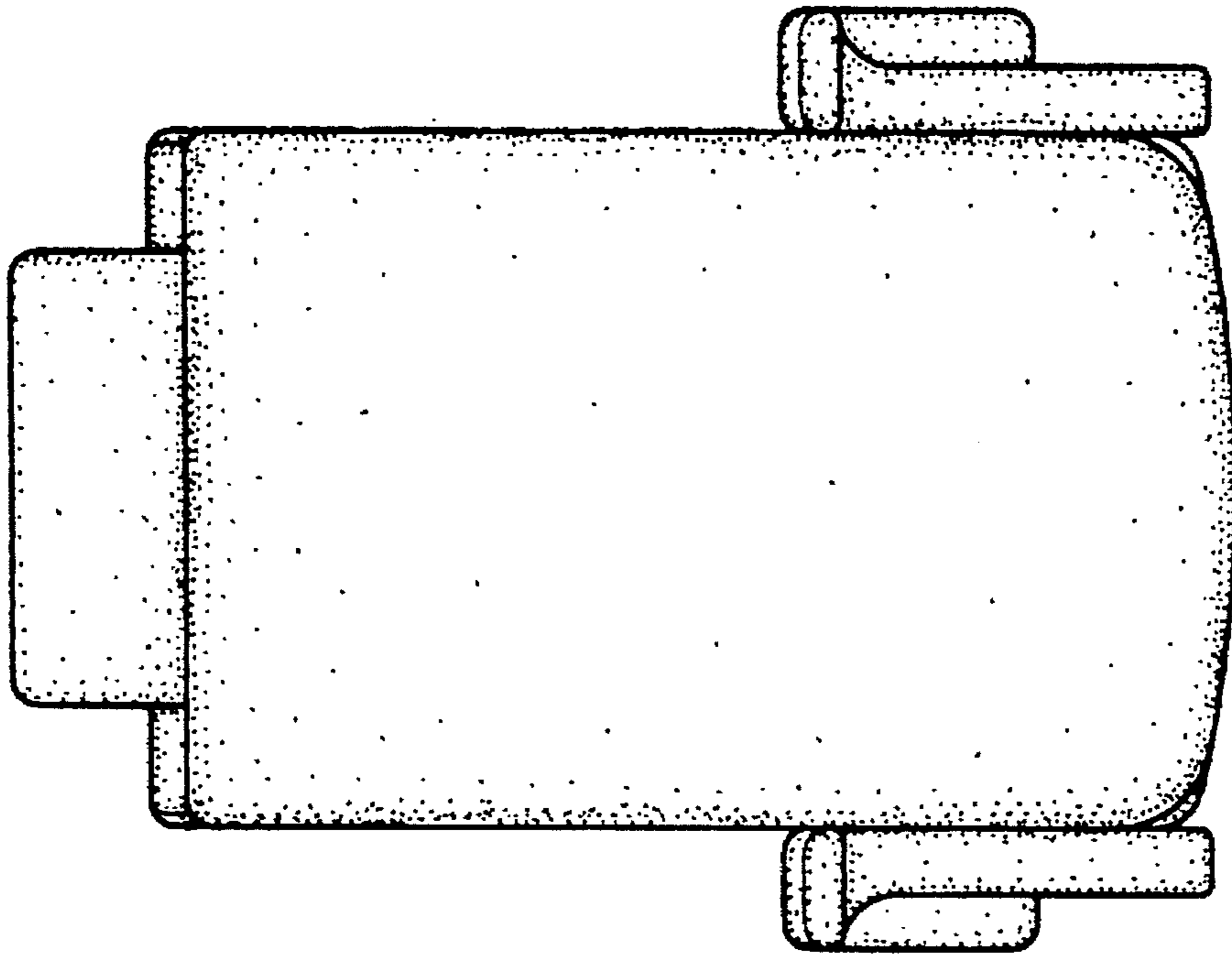


FIG. 6

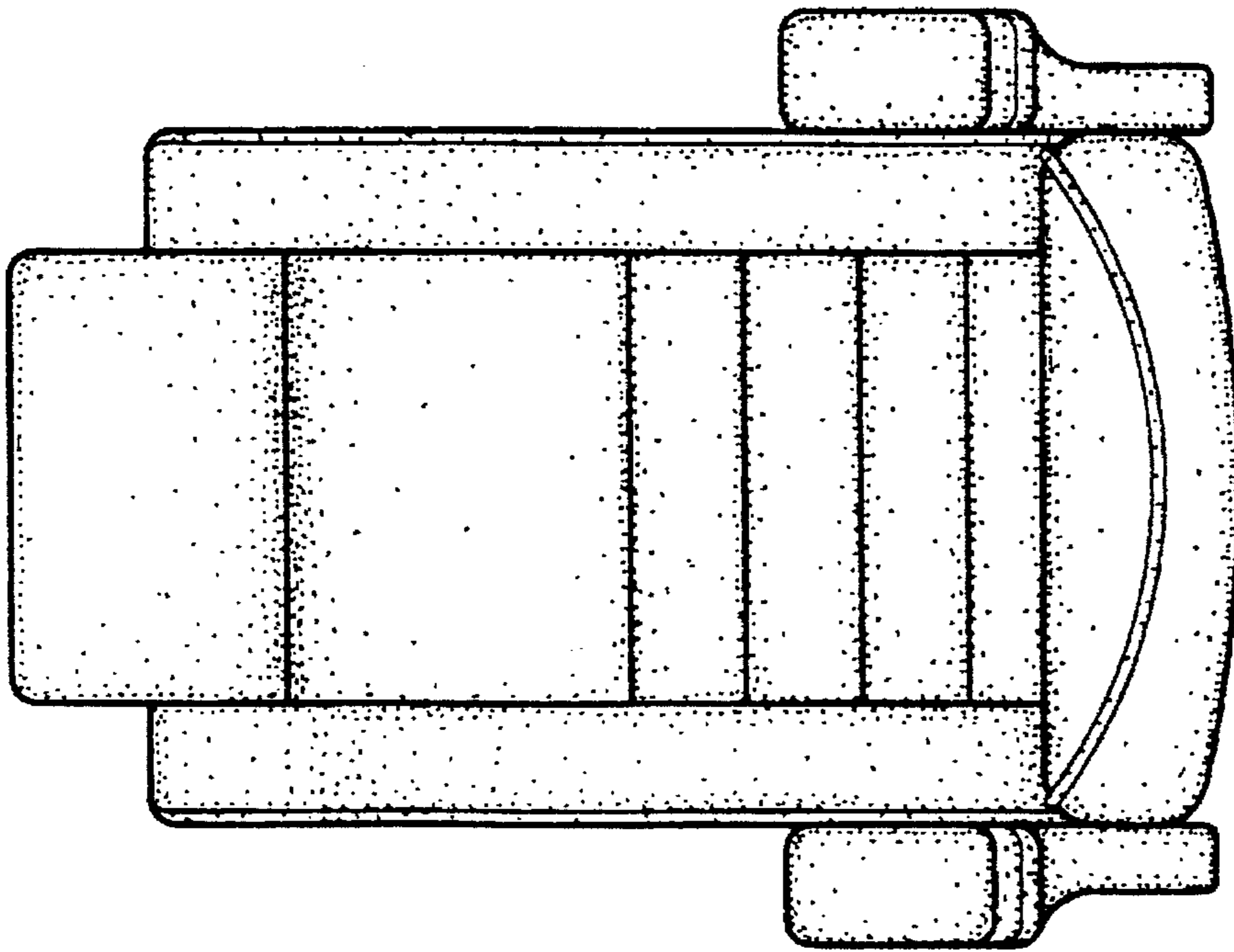


FIG. 1

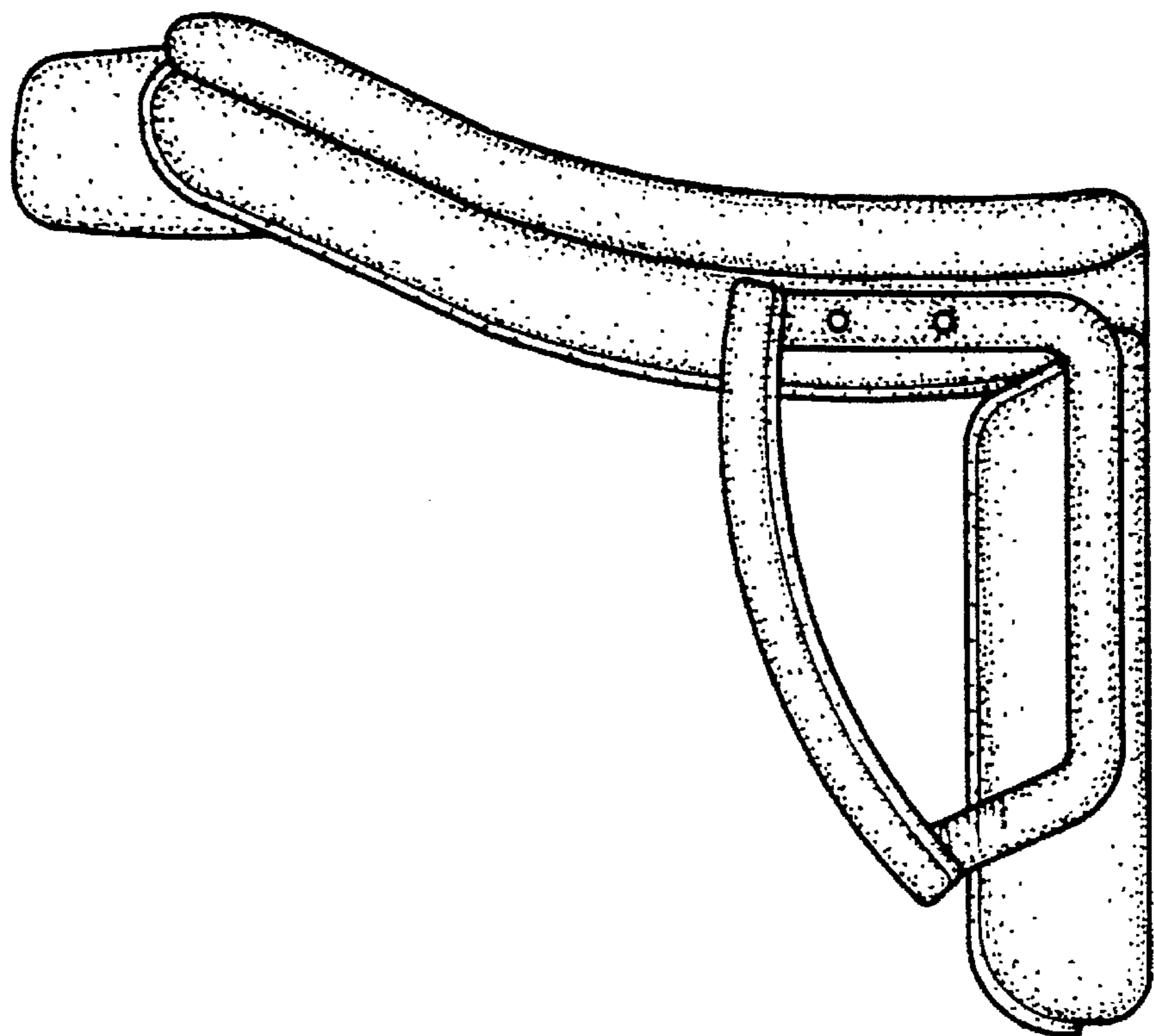


FIG.3

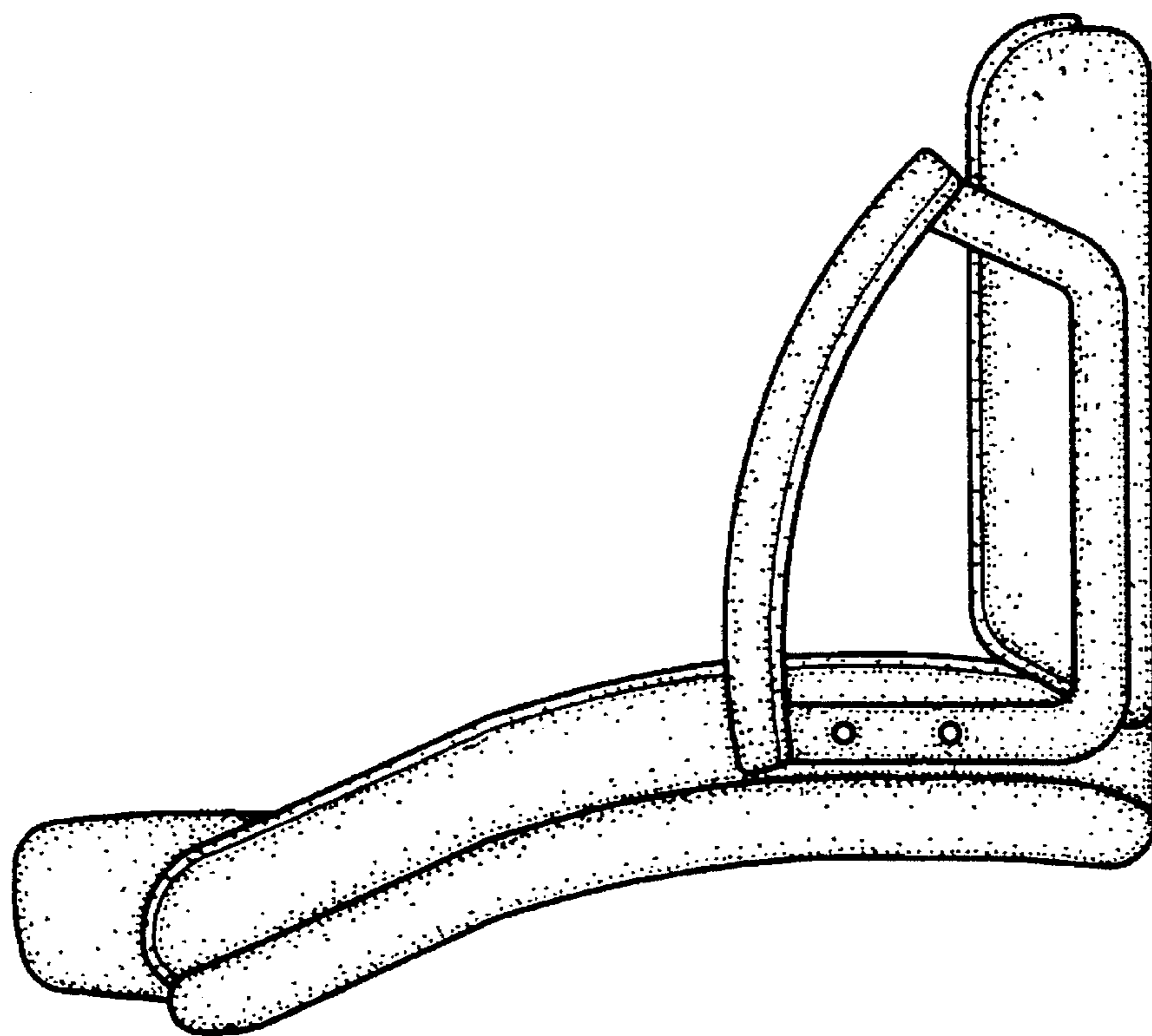


FIG.2

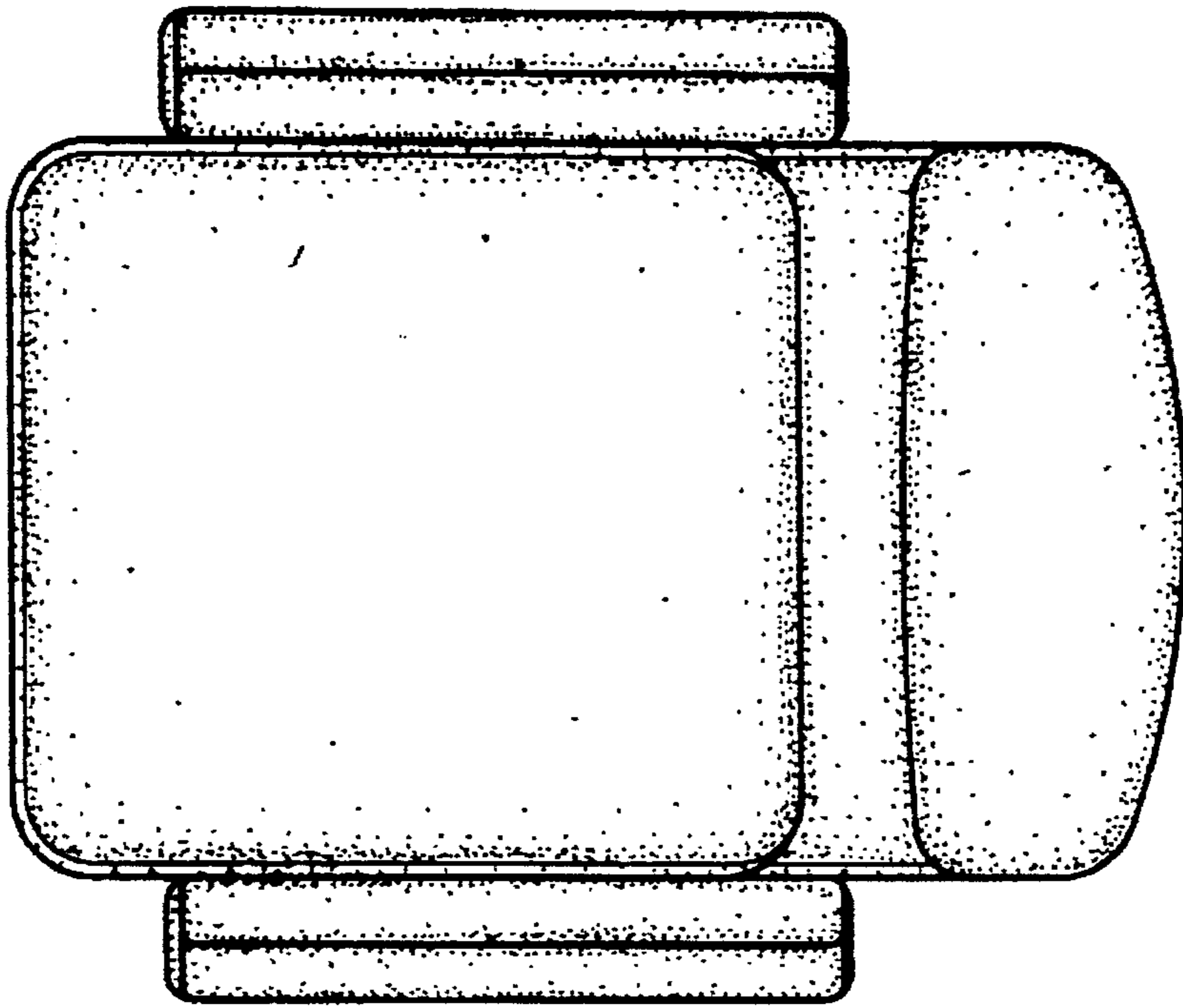


FIG. 4

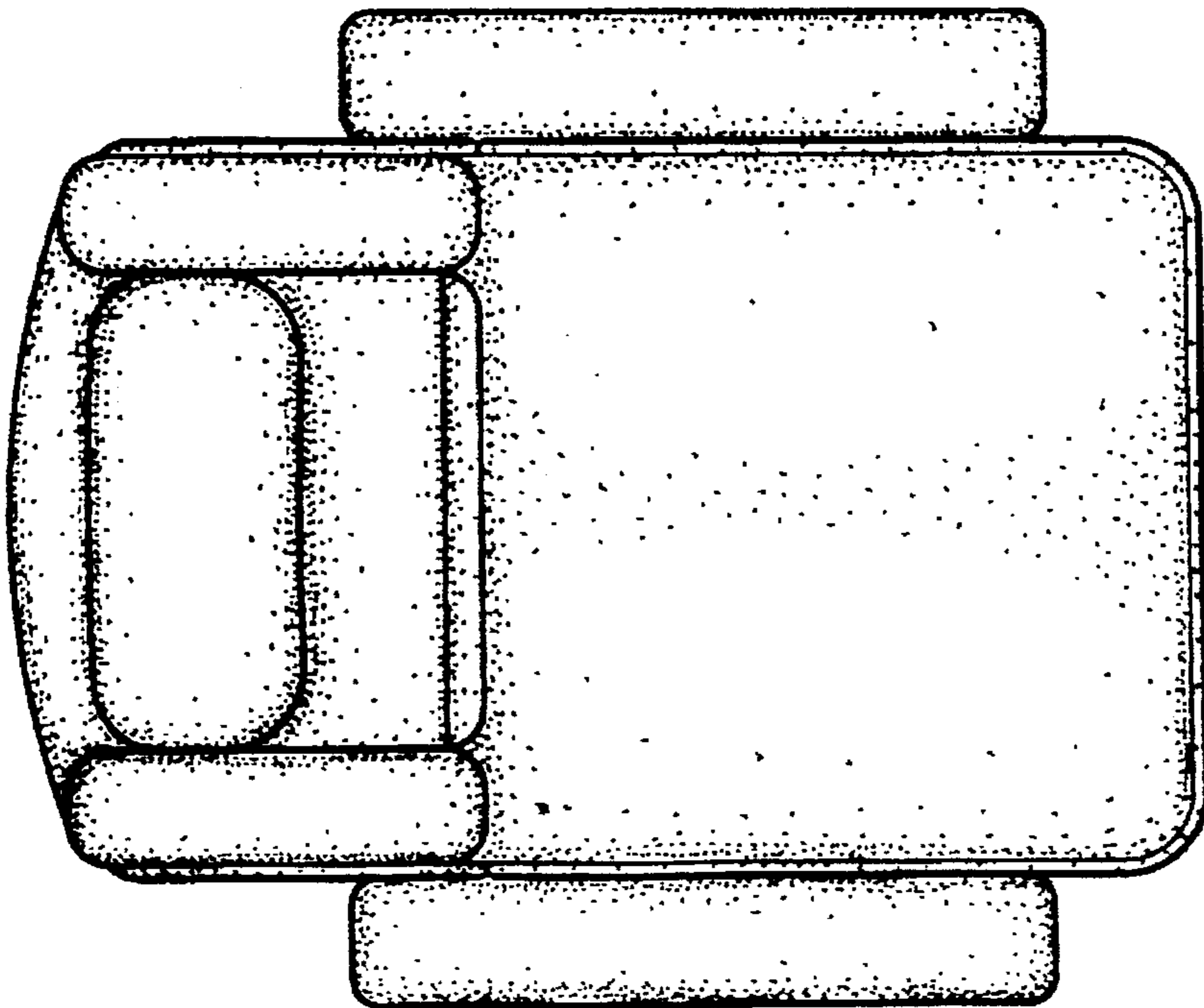


FIG. 5

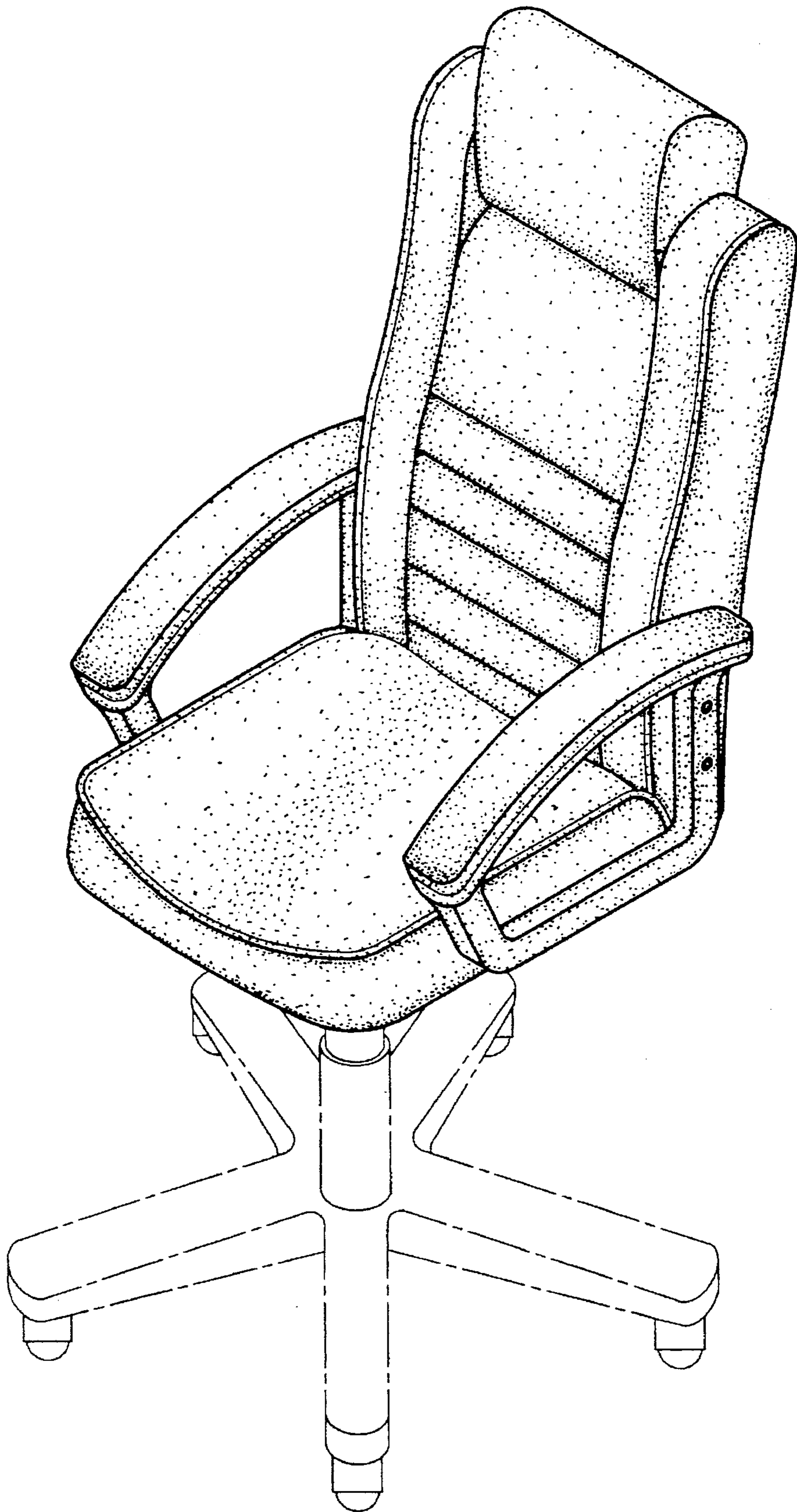


FIG. 7