



US00D383014S

# United States Patent [19] Sagol

[11] Patent Number: **Des. 383,014**  
[45] Date of Patent: **\*\*Sep. 2, 1997**

[54] **SHELF STAND**  
[75] Inventor: **Sami Sagol**, Ramat HaSharon, Israel  
[73] Assignee: **Keter Plastic, Ltd.**, Herzelia, Israel  
[\*\*] Term: **14 Years**  
[21] Appl. No.: **36,821**  
[22] Filed: **Mar. 28, 1995**  
[30] **Foreign Application Priority Data**  
Sep. 29, 1994 [IL] Israel ..... 23336  
[51] **LOC (6) Cl.** ..... **06-04**  
[52] **U.S. Cl.** ..... **D6/479**  
[58] **Field of Search** ..... D6/477-479; 108/64,  
108/59, 91-93, 96, 97, 106, 107, 180, 193,  
144, 153, 159; 211/126, 133, 134, 135,  
153, 175, 186-188, 189, 190, 194, 207

4,815,394 3/1989 Ettliger et al. .  
4,930,643 6/1990 Flum ..... 211/188  
5,409,122 4/1995 Lazarus ..... 211/186  
5,411,153 5/1995 Unfried ..... 211/188

### FOREIGN PATENT DOCUMENTS

1481295 4/1967 France .  
6606361 11/1966 Netherlands .

*Primary Examiner*—B. J. Bullock  
*Assistant Examiner*—Linda Brooks  
*Attorney, Agent, or Firm*—Reising, Ethington, Barnard & Perry

### [56] **References Cited**

#### U.S. PATENT DOCUMENTS

D. 201,370 6/1965 Benjamin .  
D. 240,377 7/1976 Goulder .  
D. 241,297 9/1976 Maslow .  
D. 291,165 8/1987 Ray .  
D. 303,596 9/1989 Goetz ..... D6/479  
D. 330,819 11/1992 Dickinson ..... D6/479  
D. 338,792 8/1993 Chap et al. .  
D. 355,798 2/1995 Goetz ..... D6/479  
870,680 11/1907 Karges ..... 108/96  
2,944,780 7/1960 Monk .  
4,099,472 7/1978 Kellogg ..... 108/64

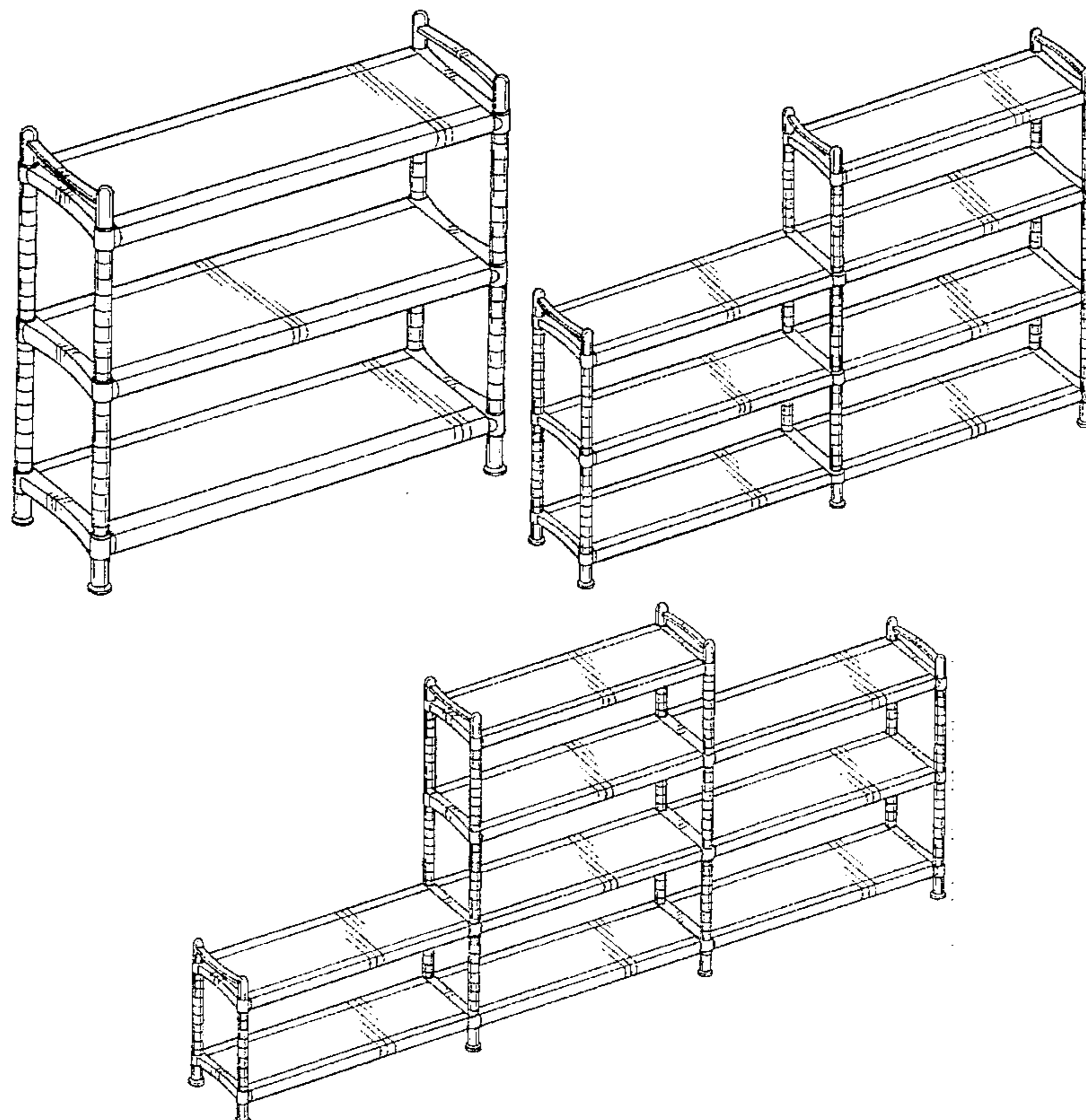
### [57] **CLAIM**

The ornamental design for a shelf stand, as shown and described.

### DESCRIPTION

FIG. 1 is a perspective view of a shelf stand showing my new design;  
FIG. 2 is a front elevational view thereof, the rear being identical thereto;  
FIG. 3 is a side elevational view thereof, the opposite side being identical thereto;  
FIG. 4 is a top plan view thereof;  
FIG. 5 is an exploded perspective view thereof;  
FIG. 6 is a perspective view of a second embodiment having additional shelves showing my new design;  
FIG. 7 is an exploded view thereof;  
FIG. 8 is a perspective view of a third embodiment showing my new design; and,  
FIG. 9 is an exploded view thereof.

**1 Claim, 7 Drawing Sheets**



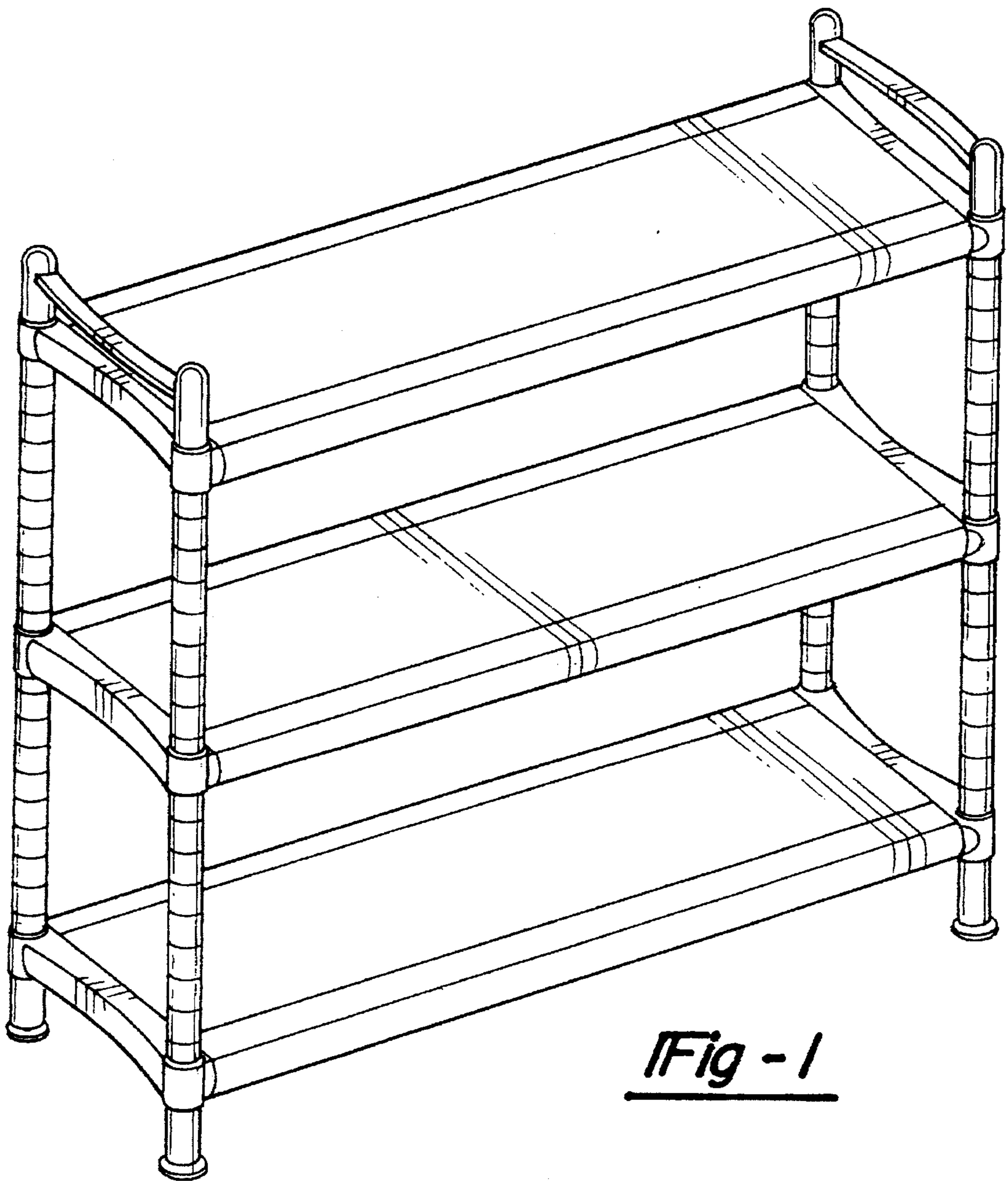
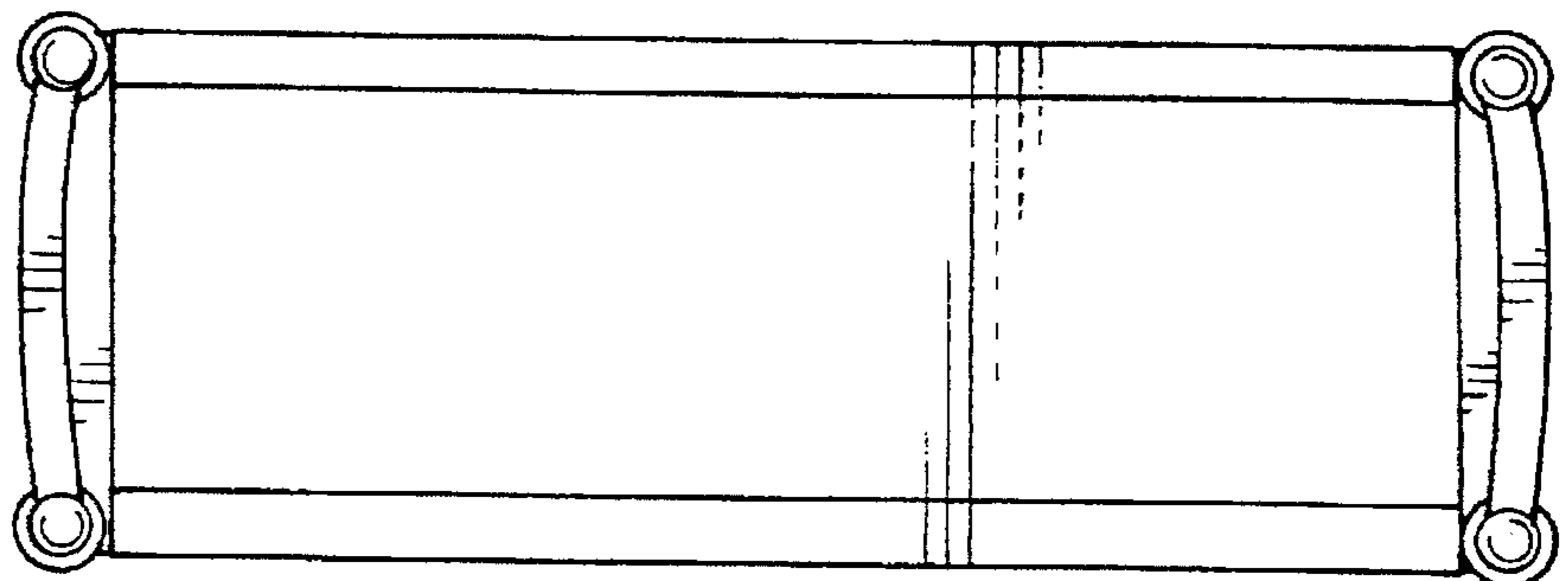


Fig - 1

Fig - 4



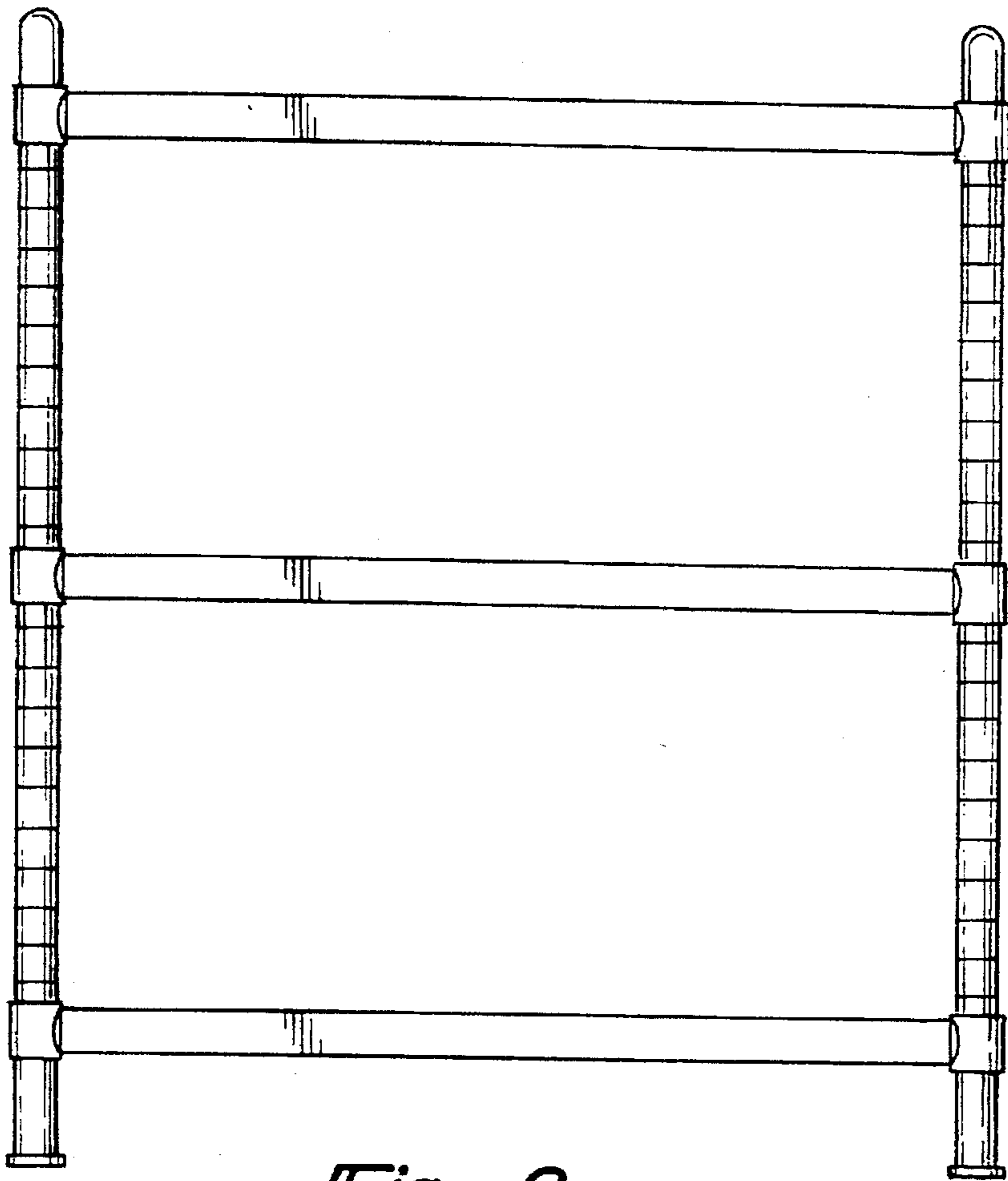


Fig - 2

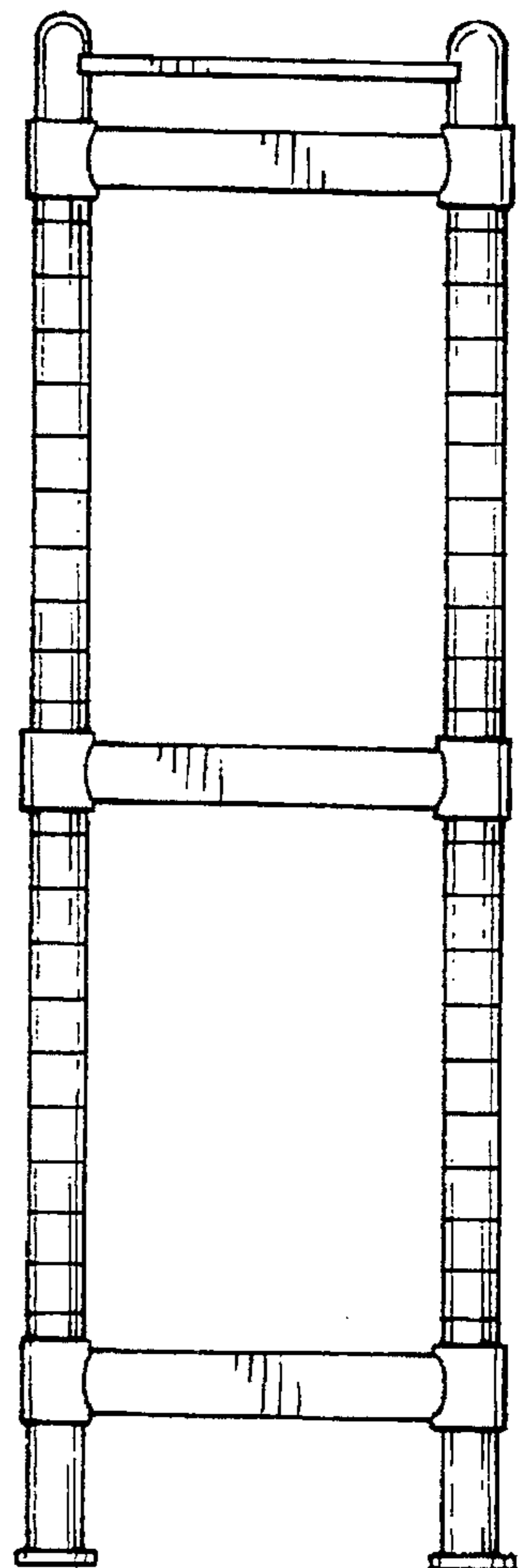
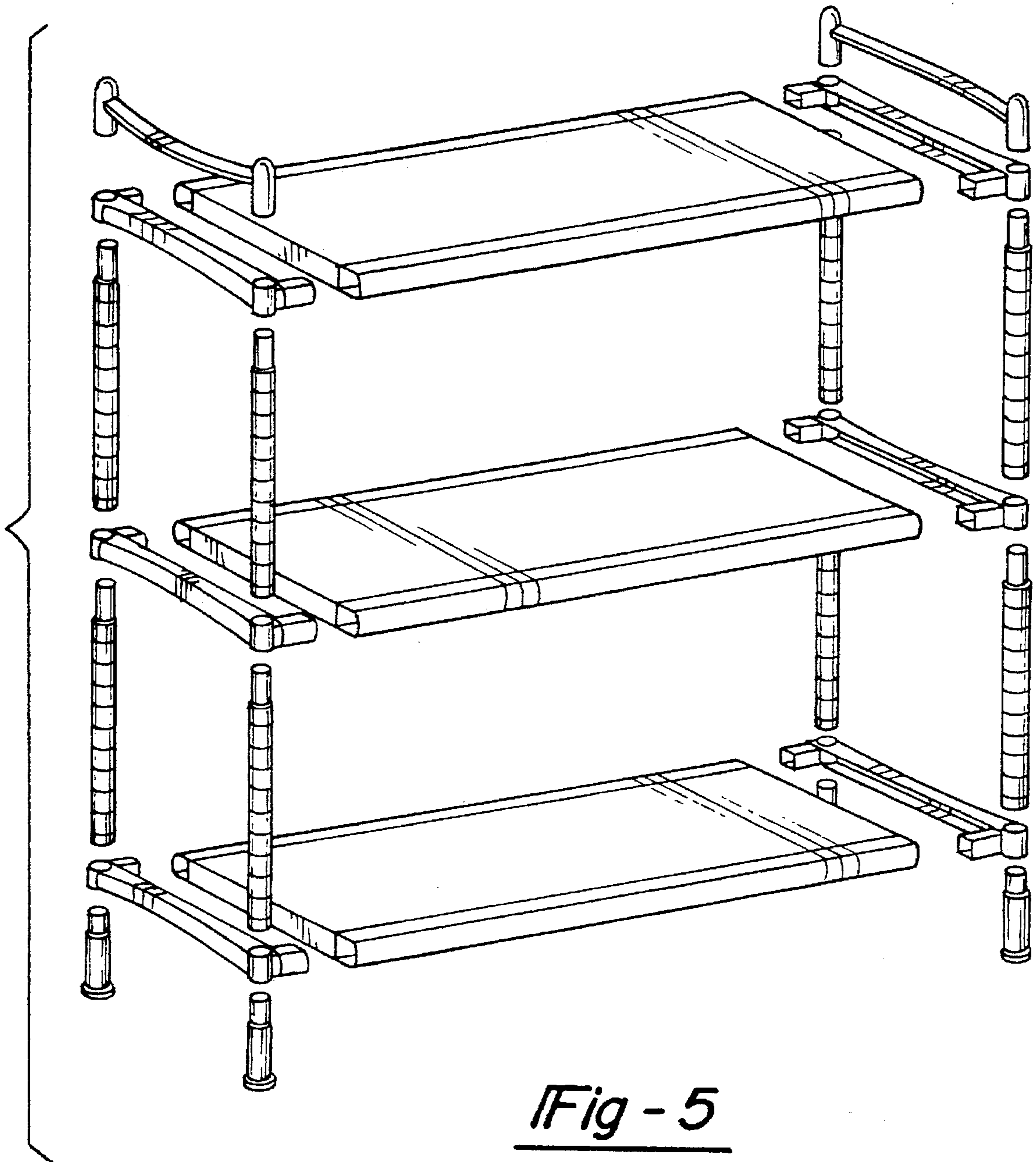


Fig - 3



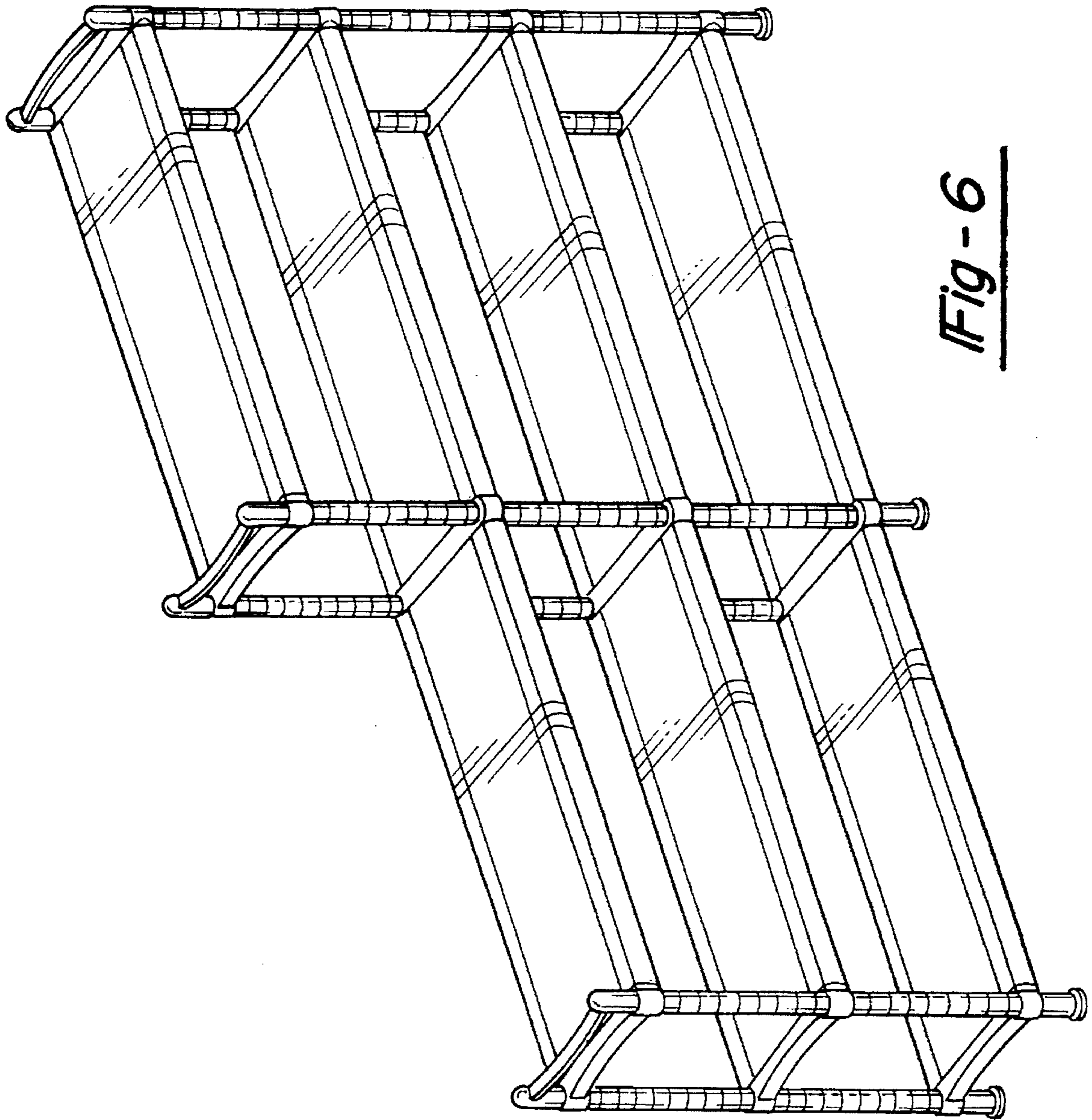


Fig - 6

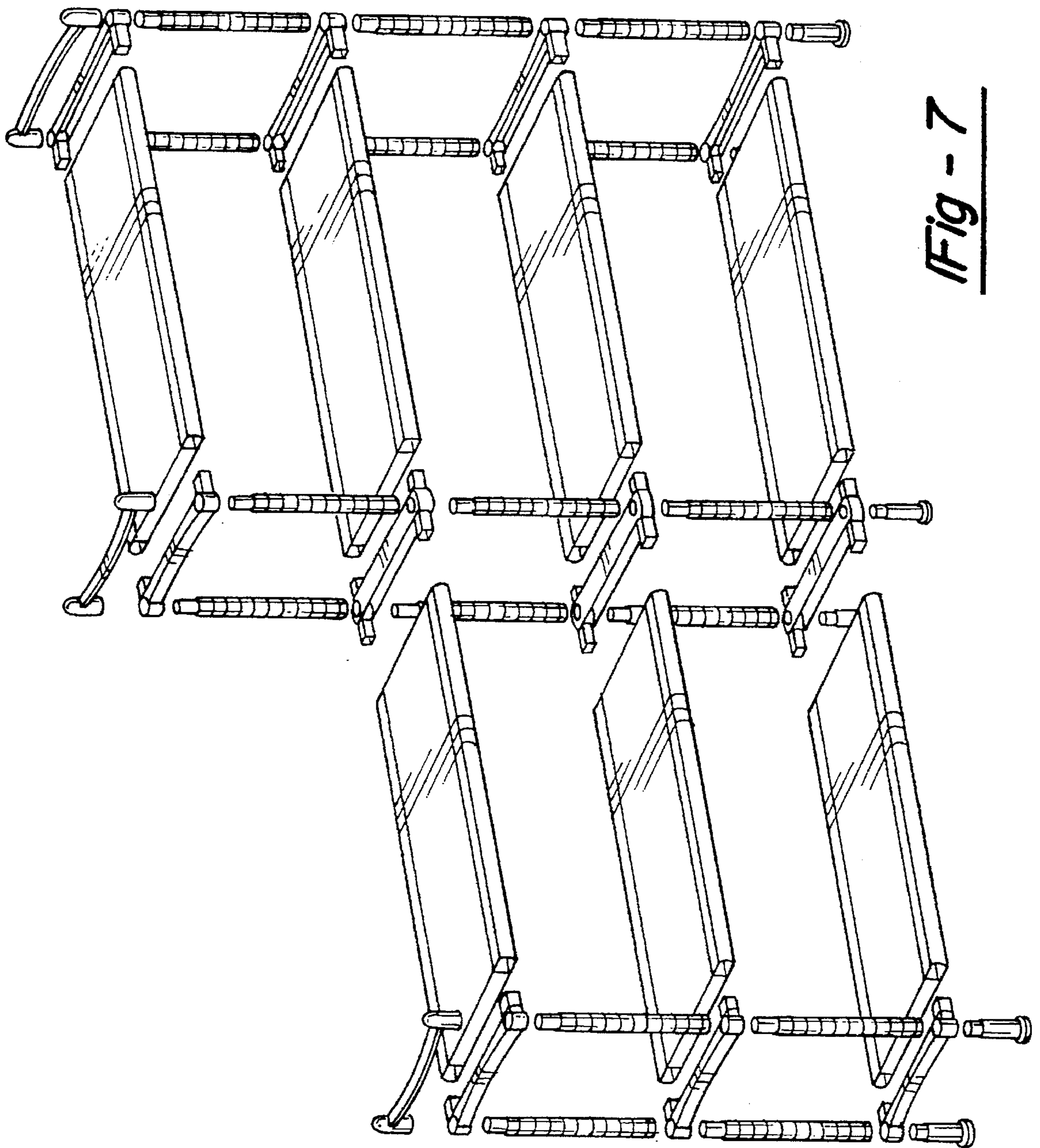


Fig - 7

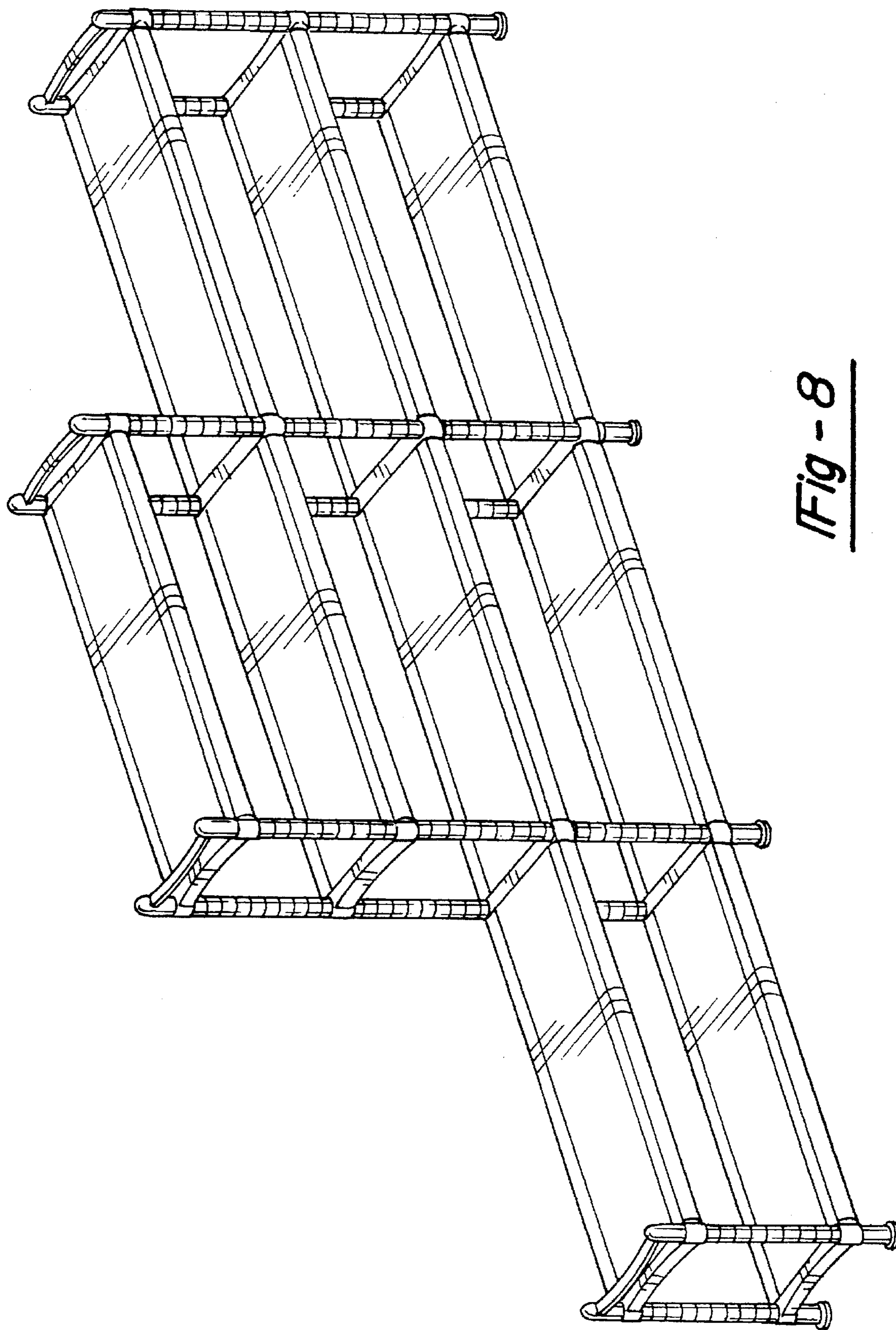


Fig - 8

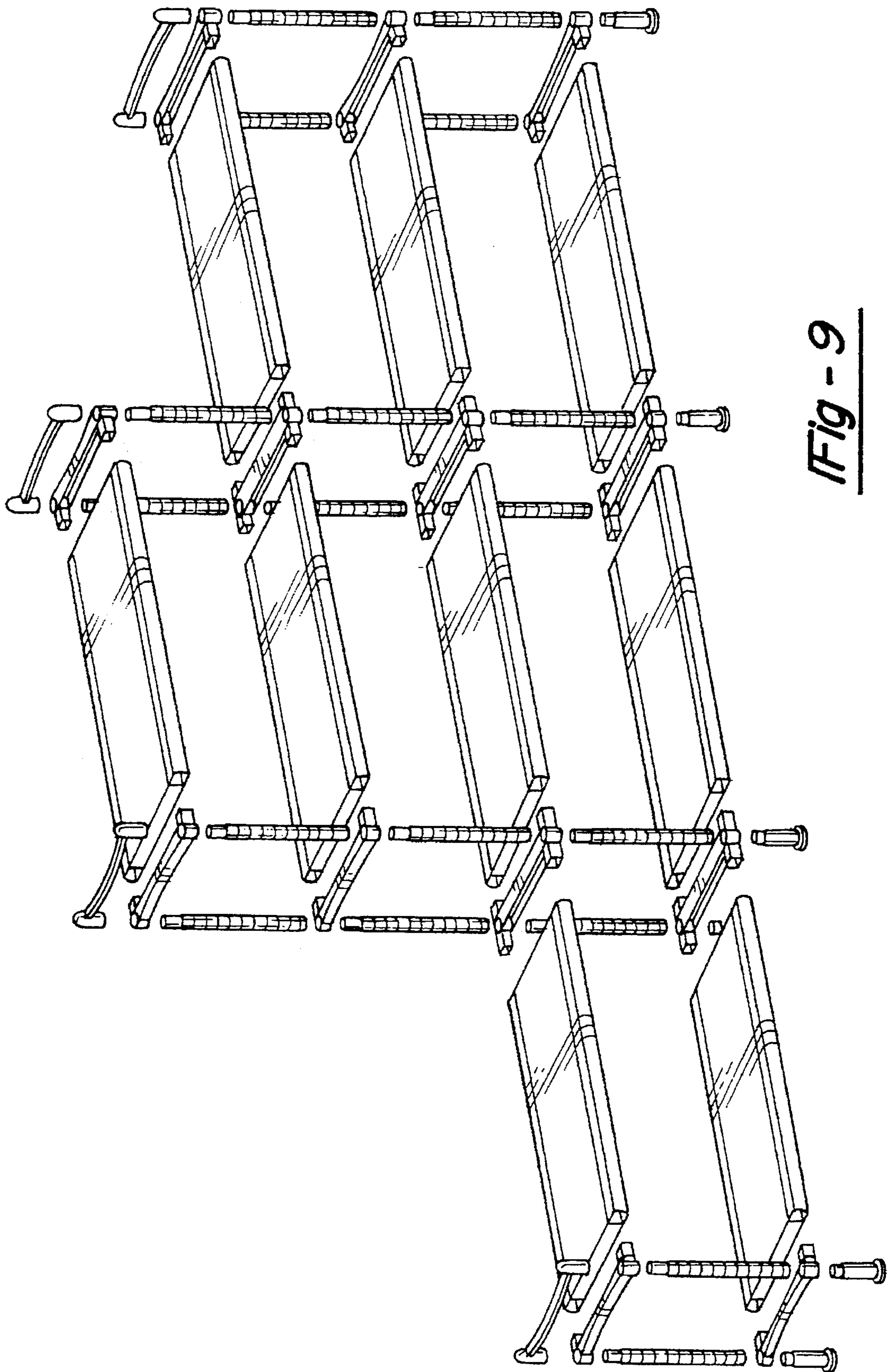


Fig - 9