



US00D383008S

United States Patent [19]

[11] Patent Number: **Des. 383,008**

Blaesing

[45] Date of Patent: ****Sep. 2, 1997**

[54] **SPORTS RECLINER CHAIR**

[76] Inventor: **Jeffrey L. Blaesing**, 122 Knollwood Dr., Hurt, Va. 24563

[**] Term: **14 Years**

[21] Appl. No.: **57,232**

[22] Filed: **Jul. 19, 1996**

[51] LOC (6) Cl. **06-01**

[52] U.S. Cl. **D6/358; D6/360; D6/367; D6/381**

[58] **Field of Search** **D6/334, 335, 336, D6/345, 351, 358, 360, 367, 371, 373, 381, 500, 501, 502; 297/181, 259.2, DIG. 7**

[56] **References Cited**

U.S. PATENT DOCUMENTS

D. 99,398	4/1936	Johnson et al.	D6/334
D. 106,990	11/1937	Salomon	D6/373
D. 106,991	11/1937	Salomon	D6/371
D. 160,639	10/1950	Luketa	D6/360
D. 171,900	4/1954	Leather	D6/334
D. 341,493	11/1993	Morgan et al.	D6/358
D. 361,904	9/1995	Reese	D6/371
D. 371,011	6/1996	Burstein	D6/373

Primary Examiner—Gary D. Watson
Attorney, Agent, or Firm—William J. Daniel

[57] **CLAIM**

The ornamental design for a sports recliner chair, as shown and described.

DESCRIPTION

FIG. 1 is a right side perspective view of one embodiment of the recliner chair of the invention in its upright position; FIG. 2 is a perspective view similar to FIG. 1 with the chair in reclined position;

FIG. 3 is a front elevation view of the chair of FIG. 1; FIG. 4 is a rear elevation view of the chair of FIG. 1; FIG. 5 is a right side elevation view of the chair of FIG. 1, the left side being a mirror image thereof;

FIG. 6 is a top plan view of the chair of FIG. 1; FIG. 7 is a bottom plan view of the chair of FIG. 1 and, FIG. 8 is a right side perspective view of an alternative embodiment of the chair of FIG. 1, the sole difference being a matter of length.

The broken line showing in FIGS. 1, 2, 5 and 8 is included for illustration purposes and does not form part of the design.

1 Claim, 5 Drawing Sheets

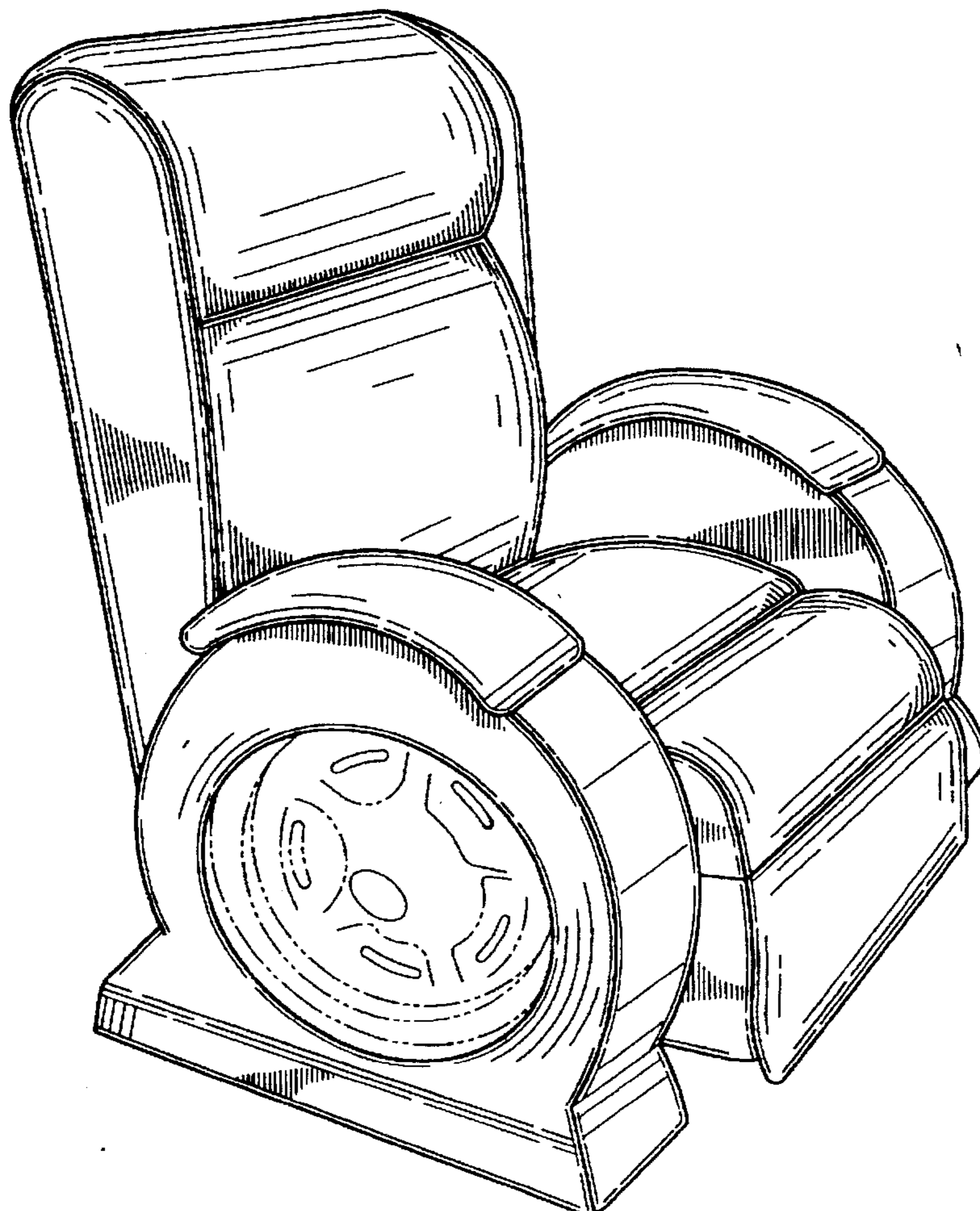


FIG. 1

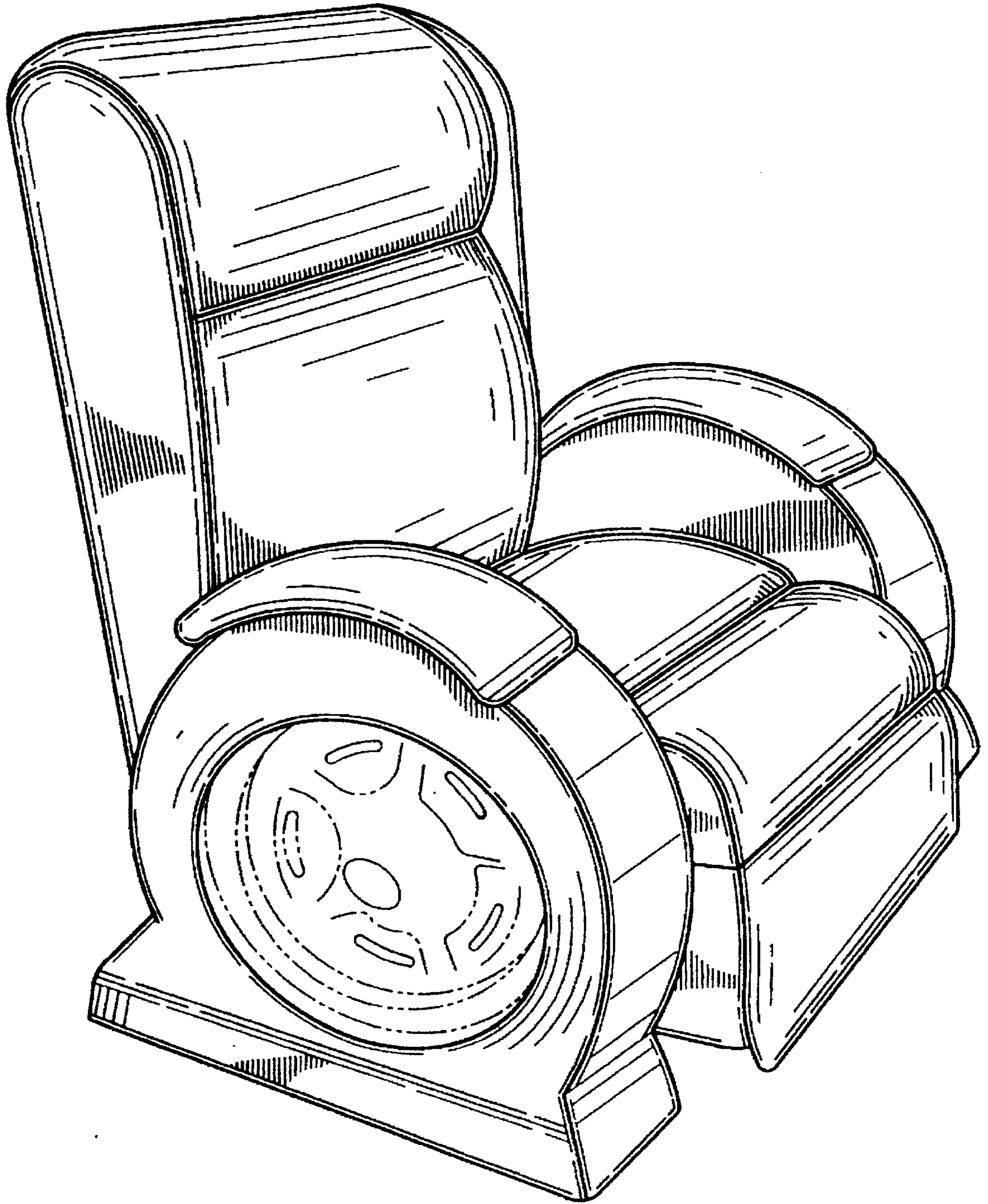
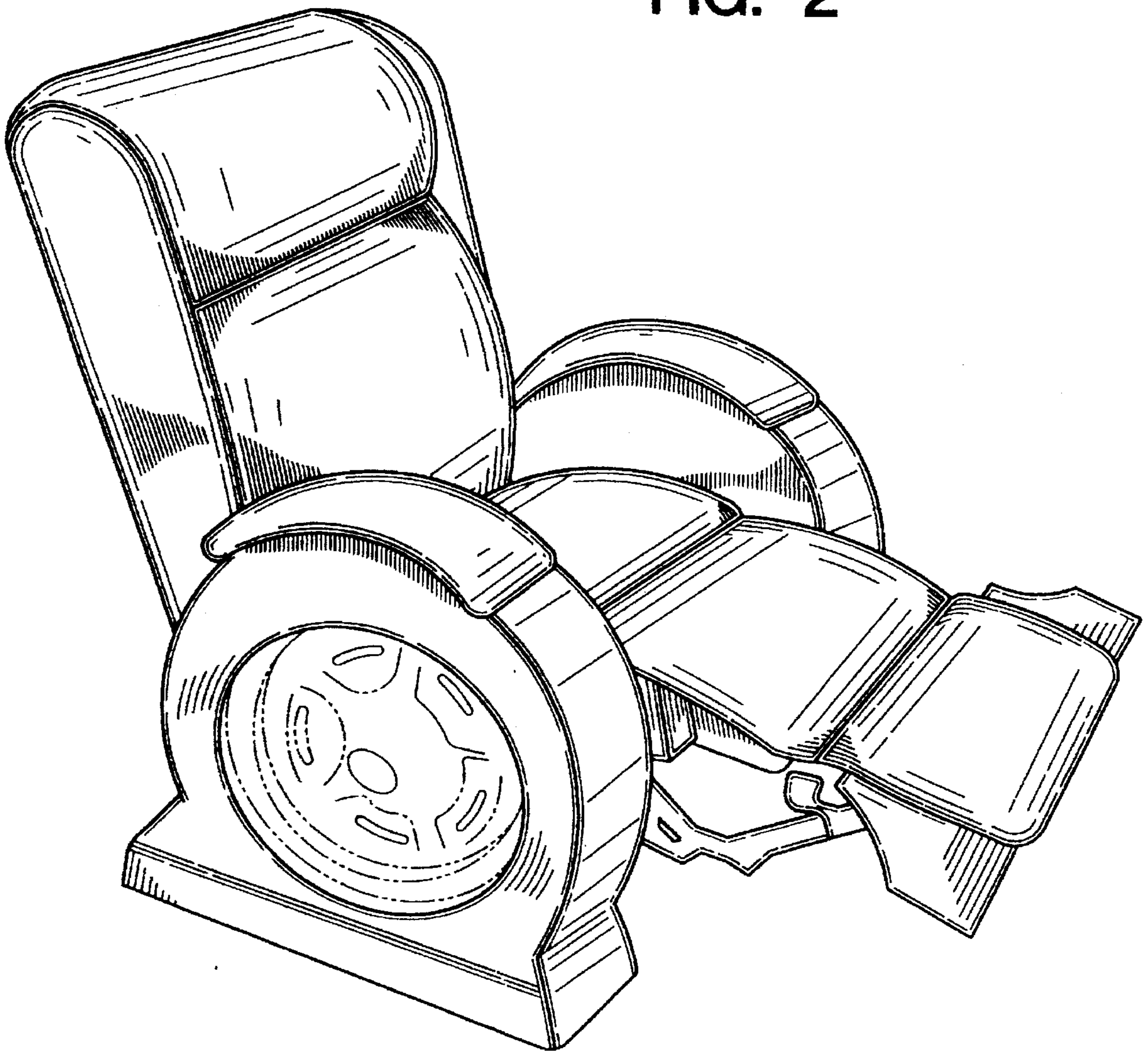


FIG. 2



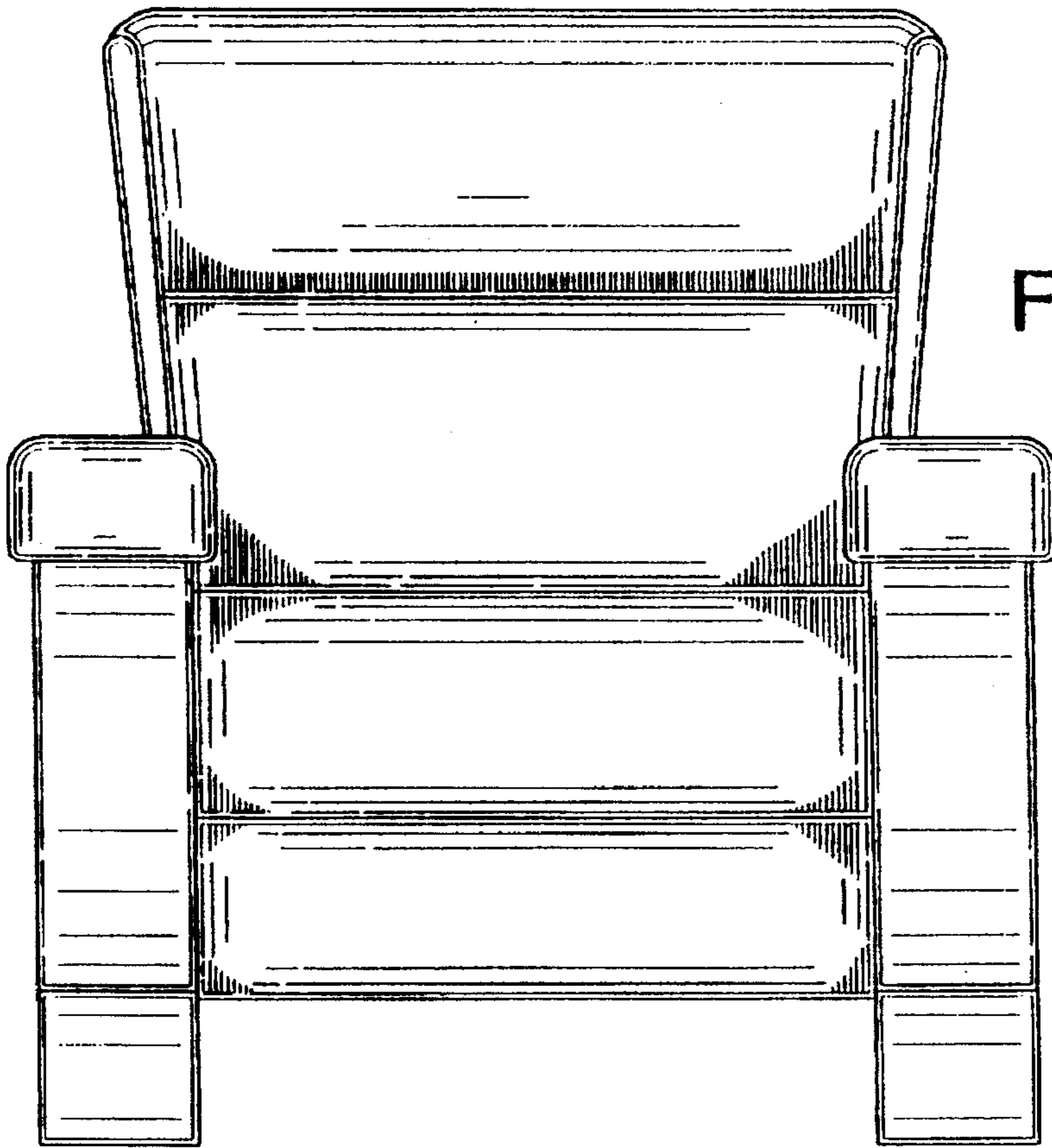


FIG. 3

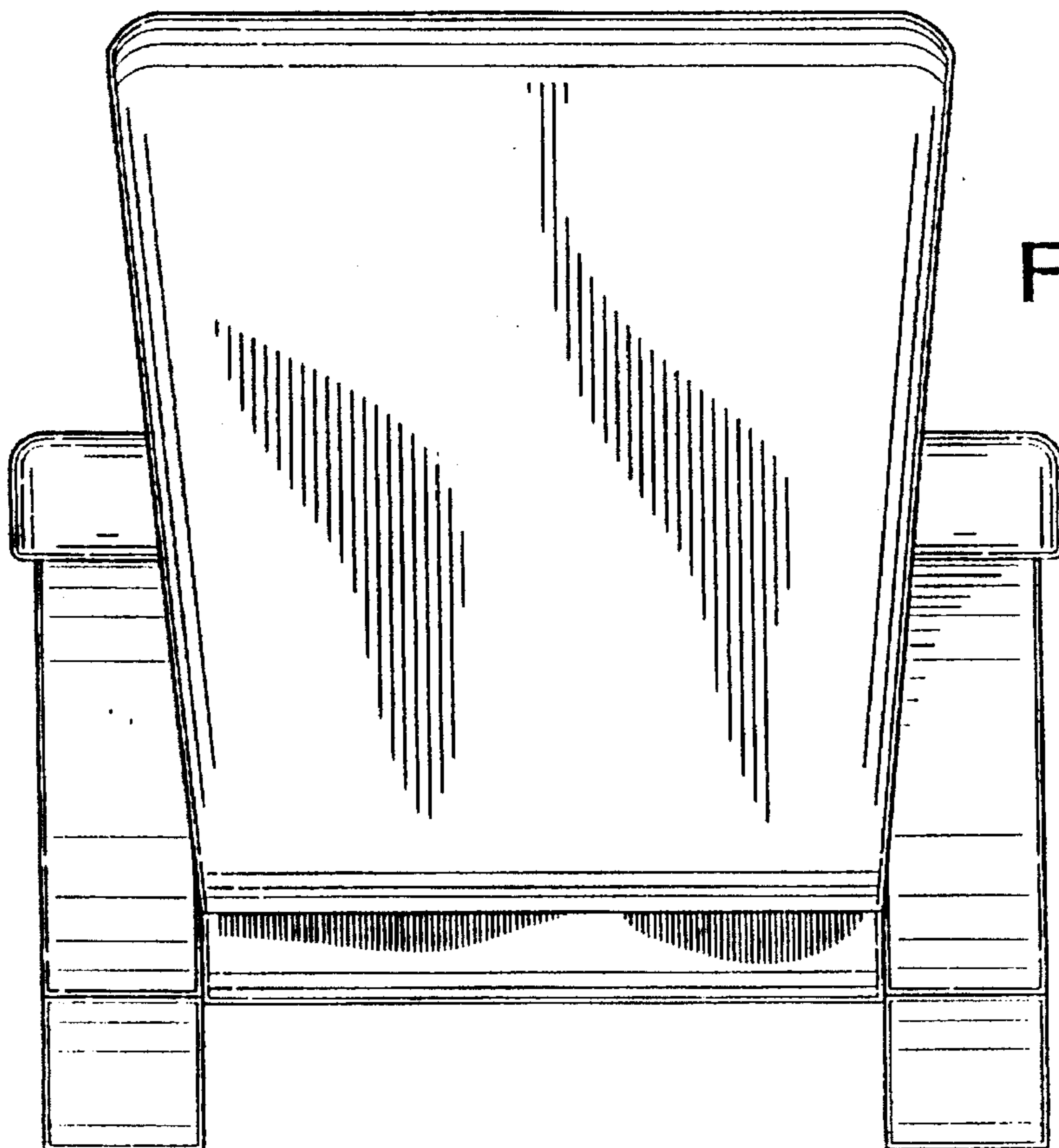


FIG. 4

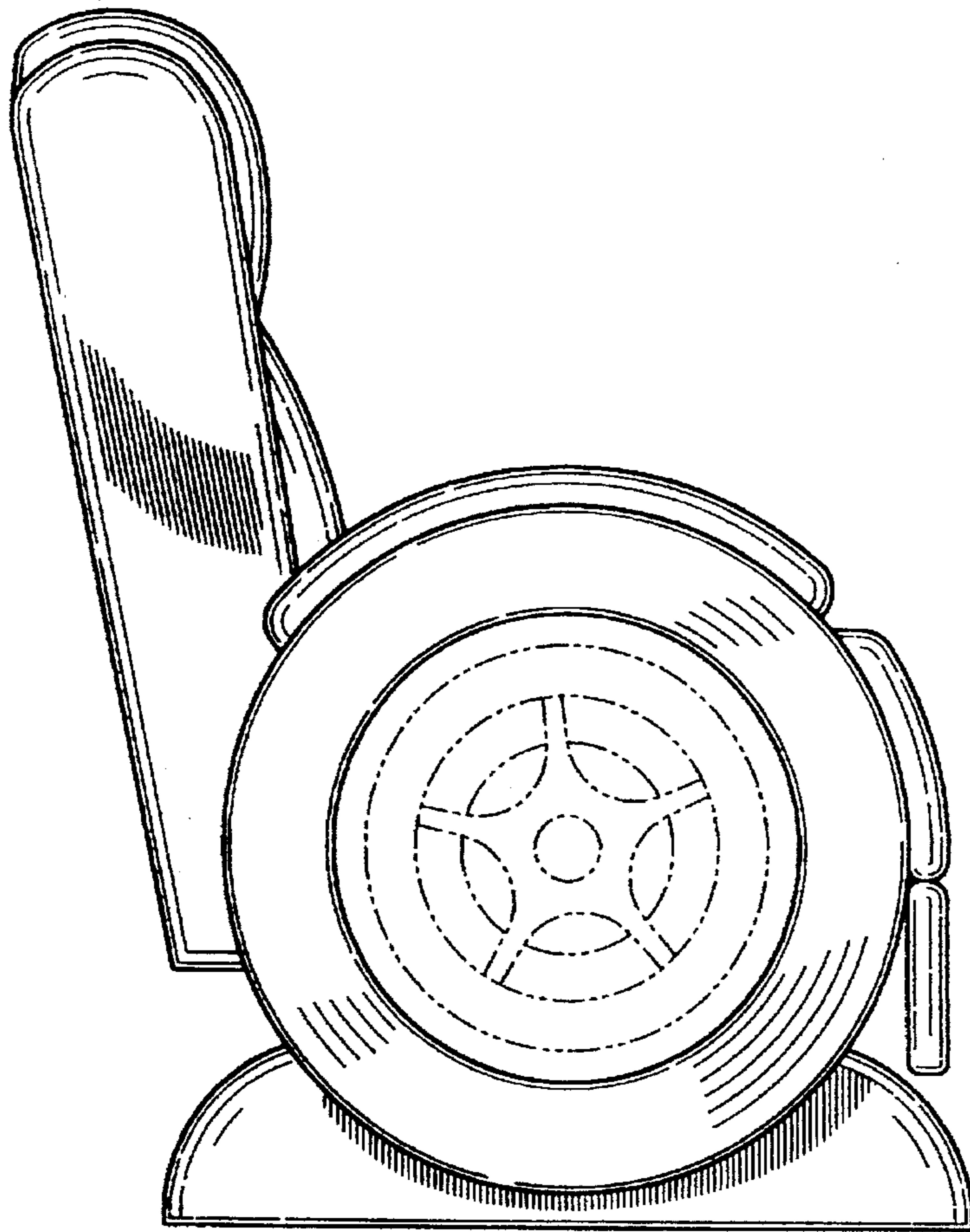
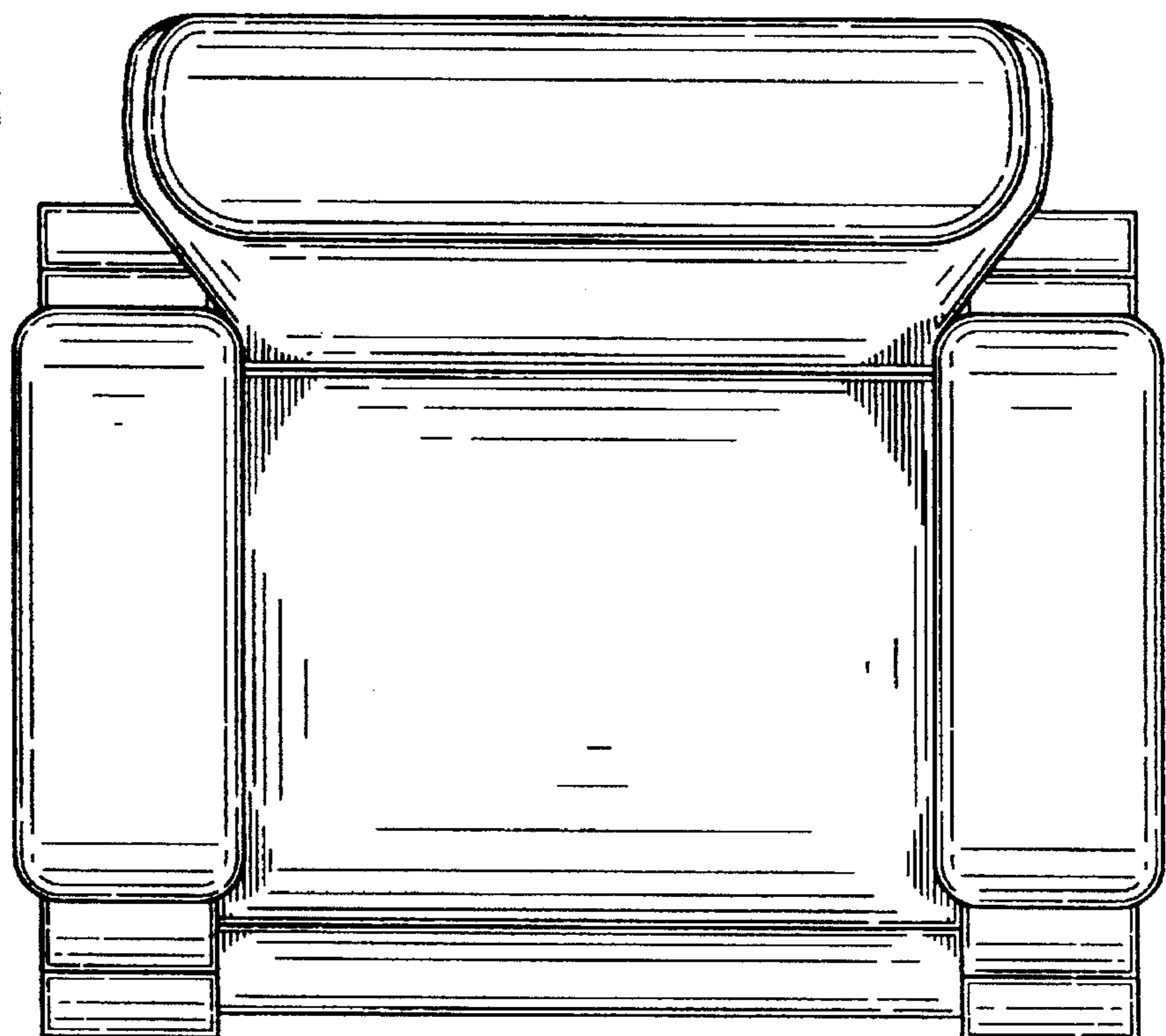


FIG. 5

FIG. 6



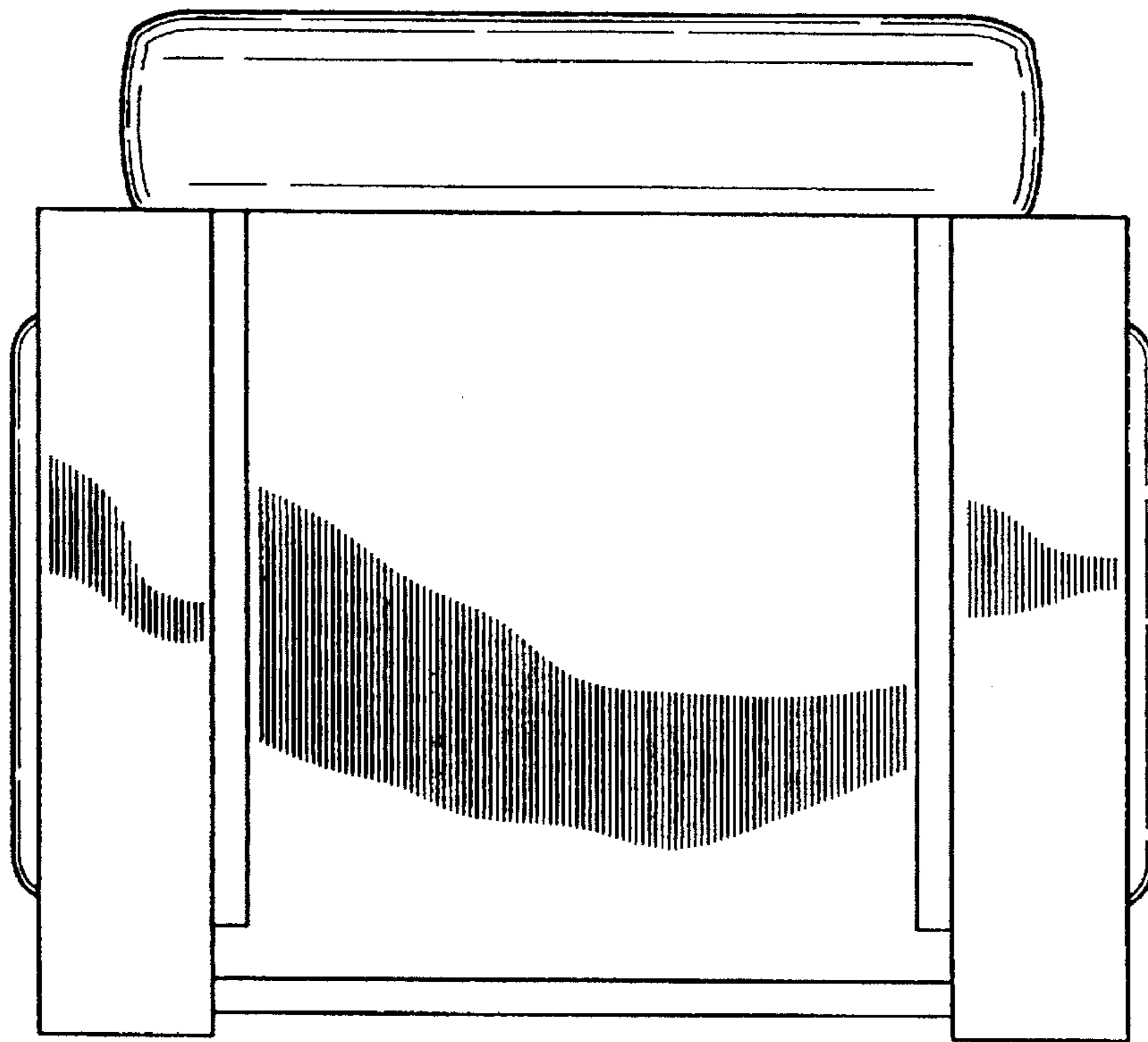


FIG. 7

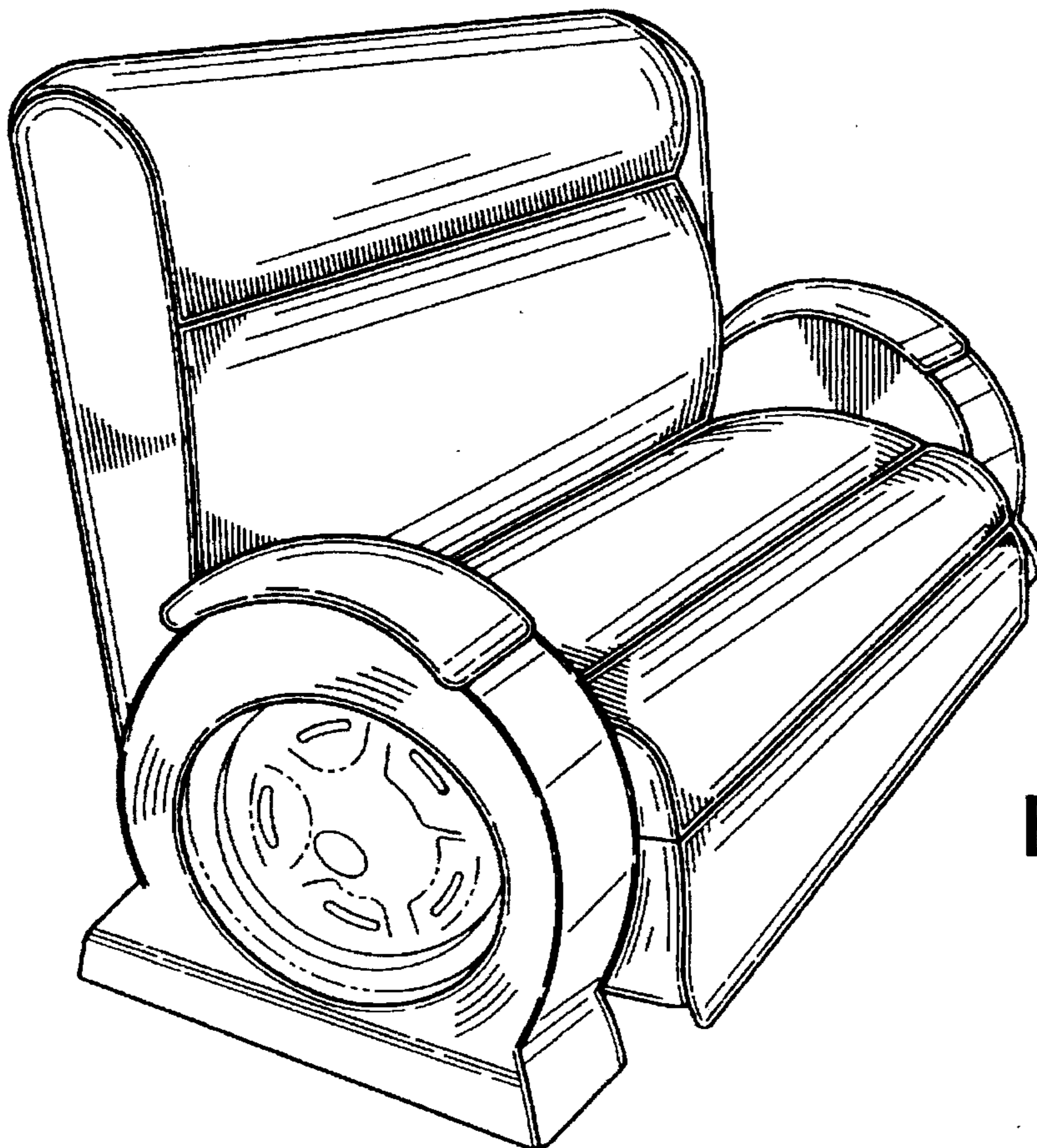


FIG. 8