



US00D383007S

# United States Patent [19] Opsvik

[11] Patent Number: **Des. 383,007**

[45] Date of Patent: **\*\*Sep. 2, 1997**

[54] **CHAIR**

[76] Inventor: **Peter Opsvik**, Josefinesgt 40, N-0258  
Oslo, Norway

[\*\*] Term: **14 Years**

[21] Appl. No.: **41,417**

[22] Filed: **Jul. 13, 1995**

[30] **Foreign Application Priority Data**

Jan. 16, 1995 [NO] Norway ..... 95.0025

[51] **LOC (6) Cl.** ..... **06-01**

[52] **U.S. Cl.** ..... **D6/348**

[58] **Field of Search** ..... D6/334, 335, 348,  
D6/374, 379, 380, 500, 501, 502; 297/258.1,  
DIG. 2

[56] **References Cited**

**U.S. PATENT DOCUMENTS**

D. 197,714	3/1964	Rodd	.....	D6/348
D. 259,598	6/1981	Locher	.....	D6/380
D. 286,822	11/1986	Opsvik	.....	D6/335
D. 286,824	11/1986	Opsvik	.....	D6/348
D. 334,671	4/1993	Mayer	.....	D6/348
D. 358,042	5/1995	Klein	.....	D6/379
3,907,363	9/1975	Baker et al.	.....	297/DIG. 2 X
3,947,068	3/1976	Buhk	.....	297/DIG. 2 X

*Primary Examiner*—Gary D. Watson  
*Attorney, Agent, or Firm*—Curtis, Morris & Safford P.C.

[57] **CLAIM**

The ornamental design for a chair, as shown and described.

**DESCRIPTION**

FIG. 1 is a front perspective view of one embodiment of a chair showing my design;

FIG. 2 is a rear perspective view of the chair shown in FIG. 1;

FIG. 3 is a front perspective view of another embodiment of the chair showing my design;

FIG. 4 is a rear perspective view of the chair shown in FIG. 3;

FIG. 5 is a front perspective view of the back rest cushion of the chair shown in FIG. 1;

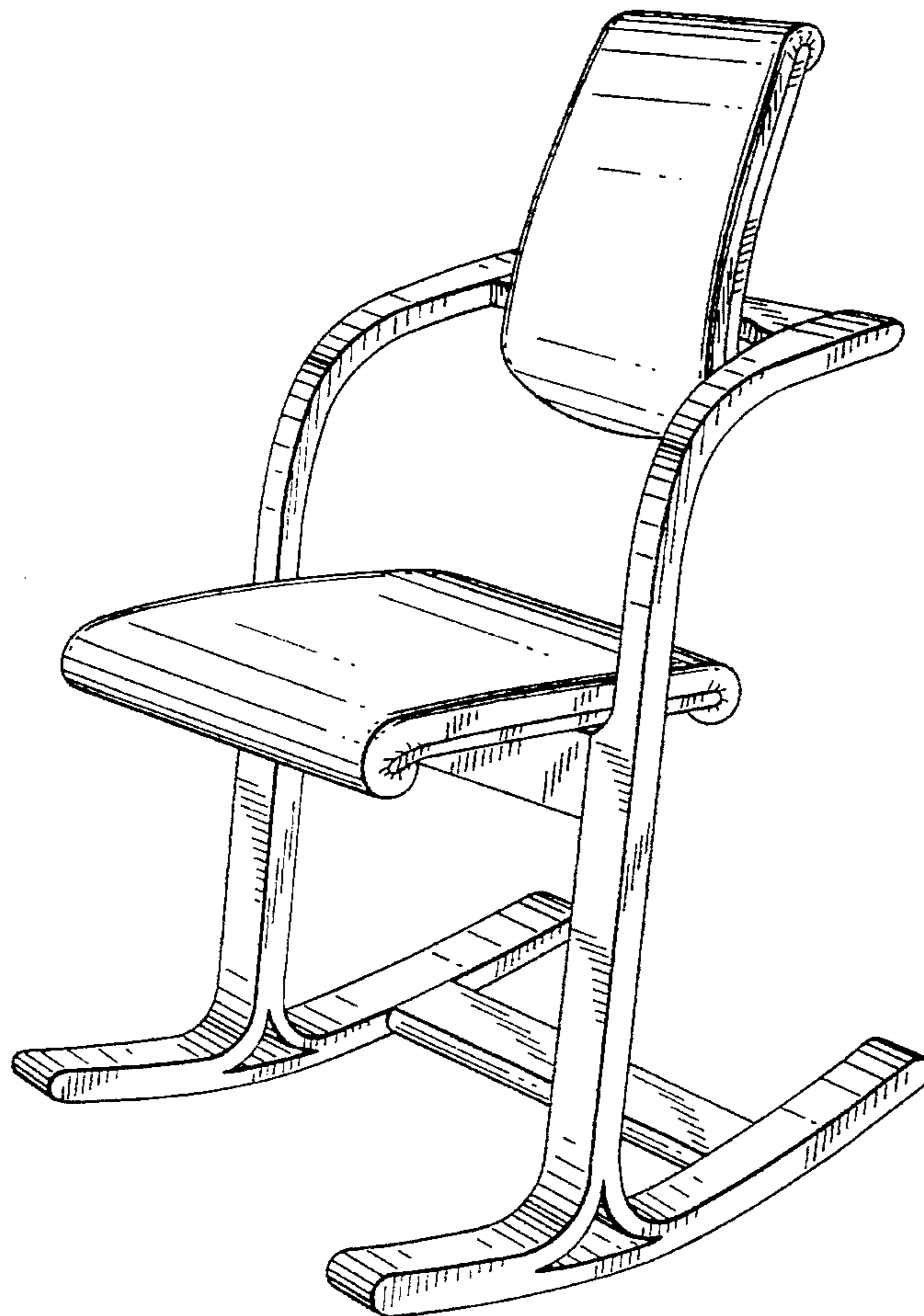
FIG. 6 is a rear perspective view of the back rest cushion shown in FIG. 5;

FIG. 7 is a bottom perspective view of a seat cushion for the chair shown in FIG. 1; and,

FIG. 8 is a top perspective view of the seat cushion shown in FIG. 7.

The cushions shown in FIGS. 5 through 8 have been shown without the remainder of the chair for ease of illustration. The broken lines shown on the cushions in FIGS. 5 through 8 represent stitching.

**1 Claim, 5 Drawing Sheets**



*FIG. 1*

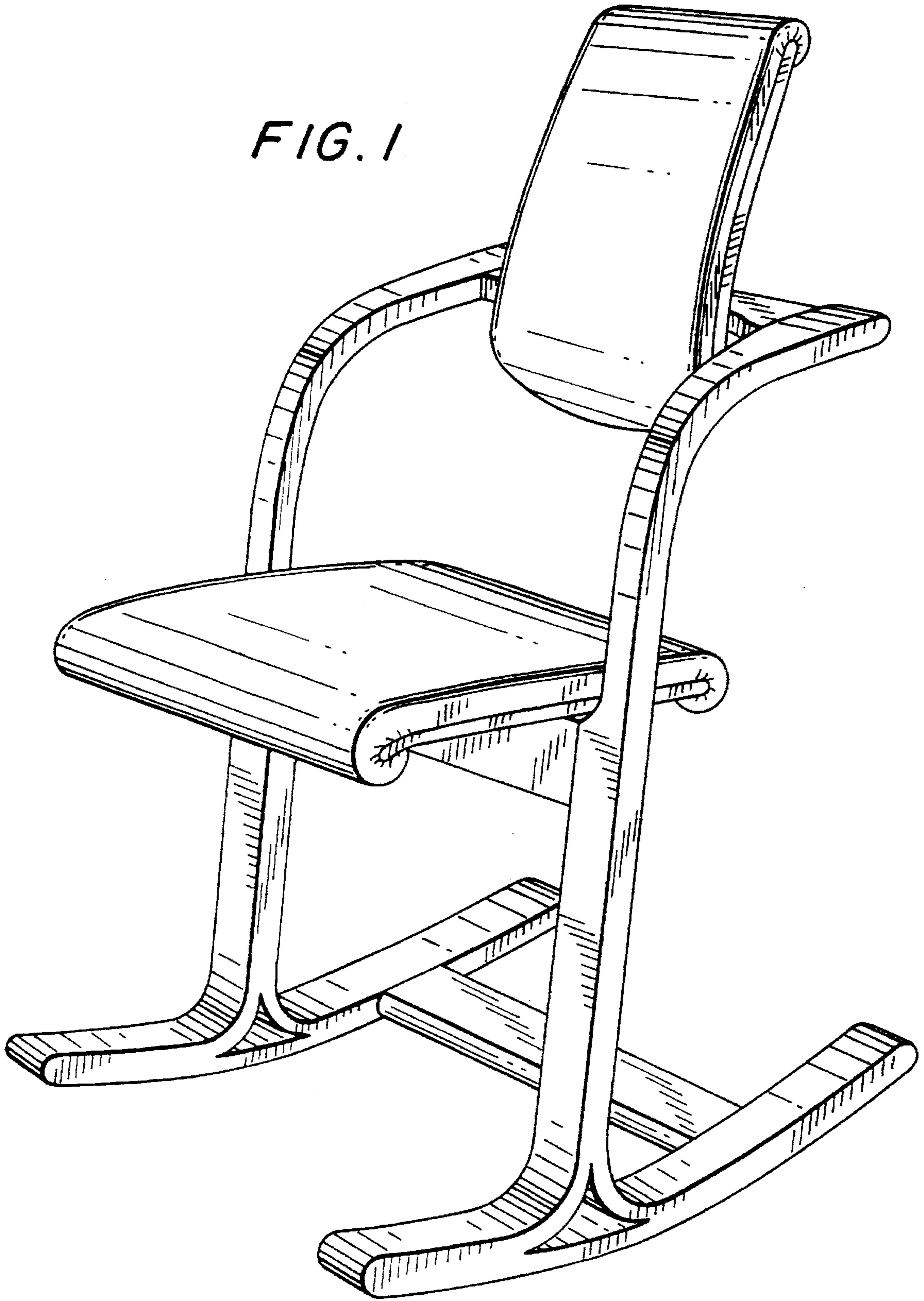


FIG. 2

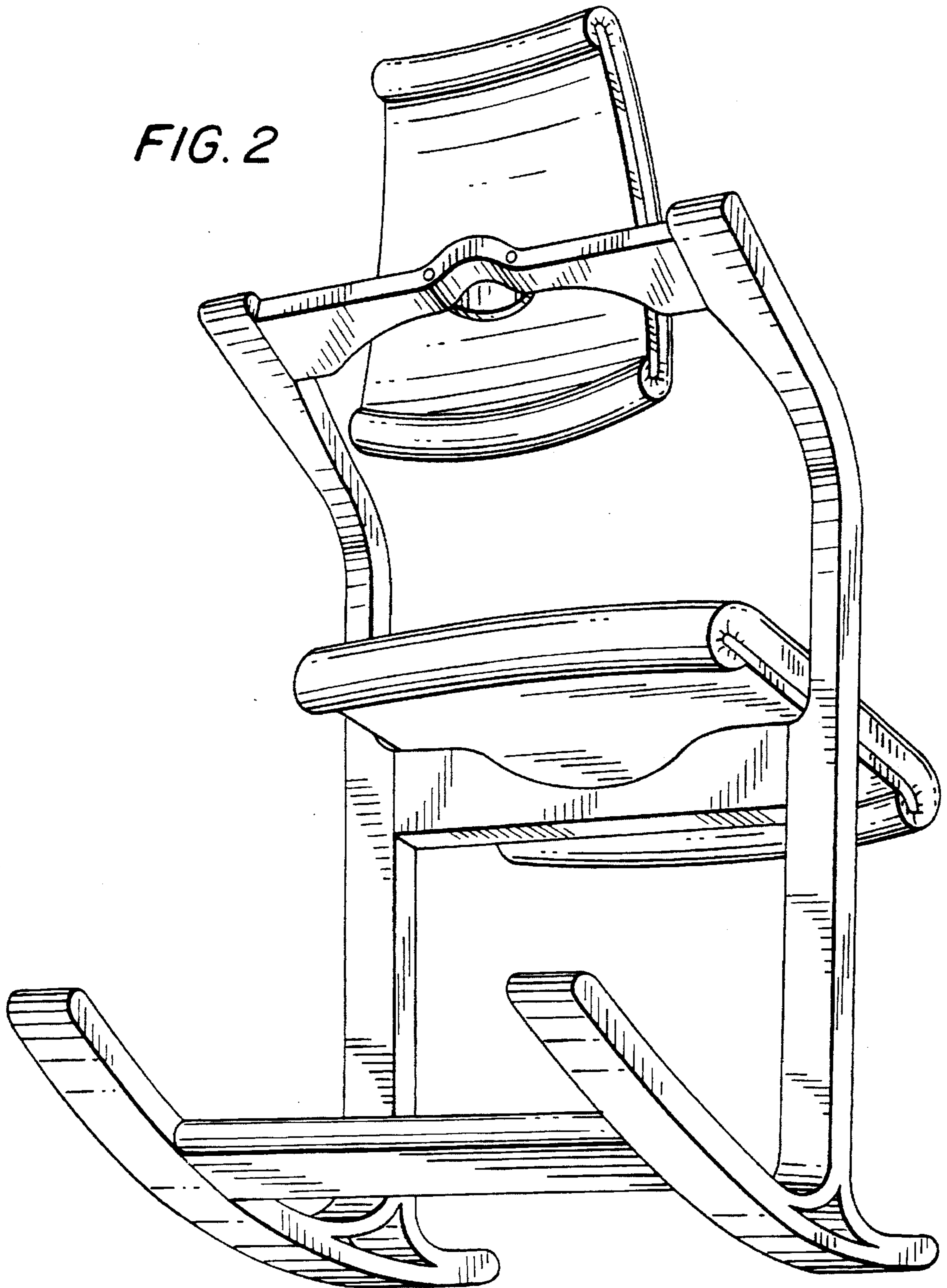




FIG. 3

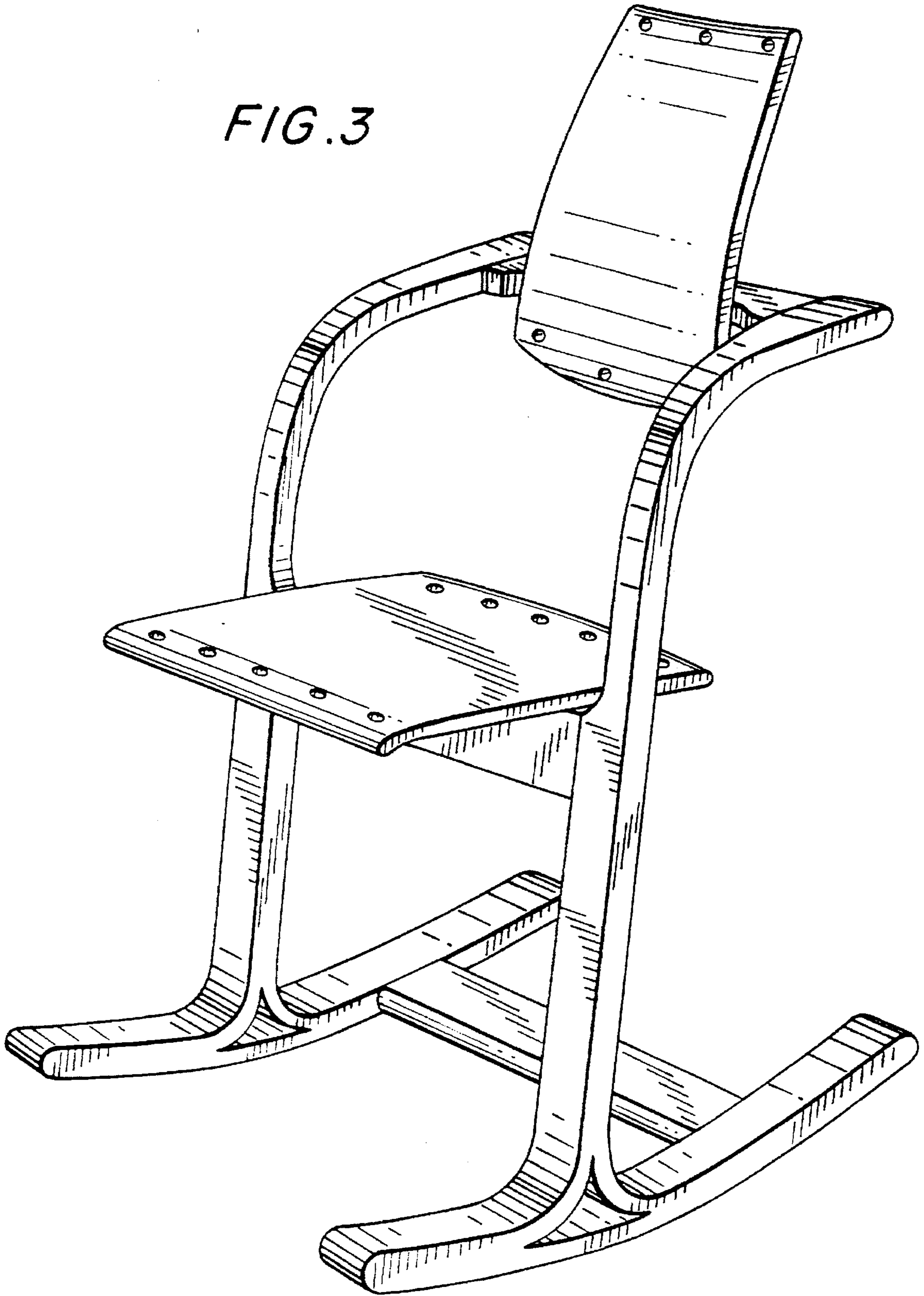


FIG. 4

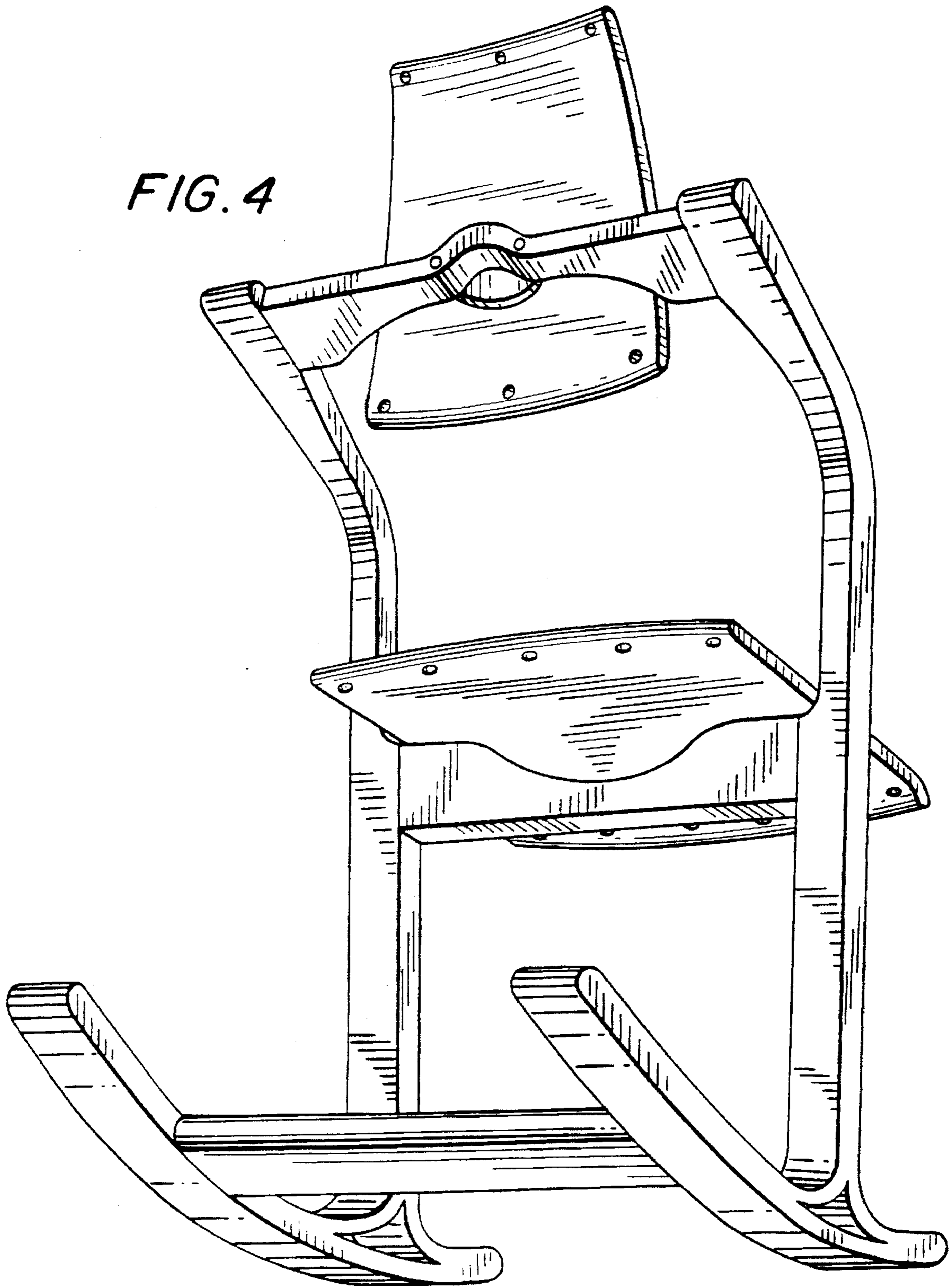


FIG. 5

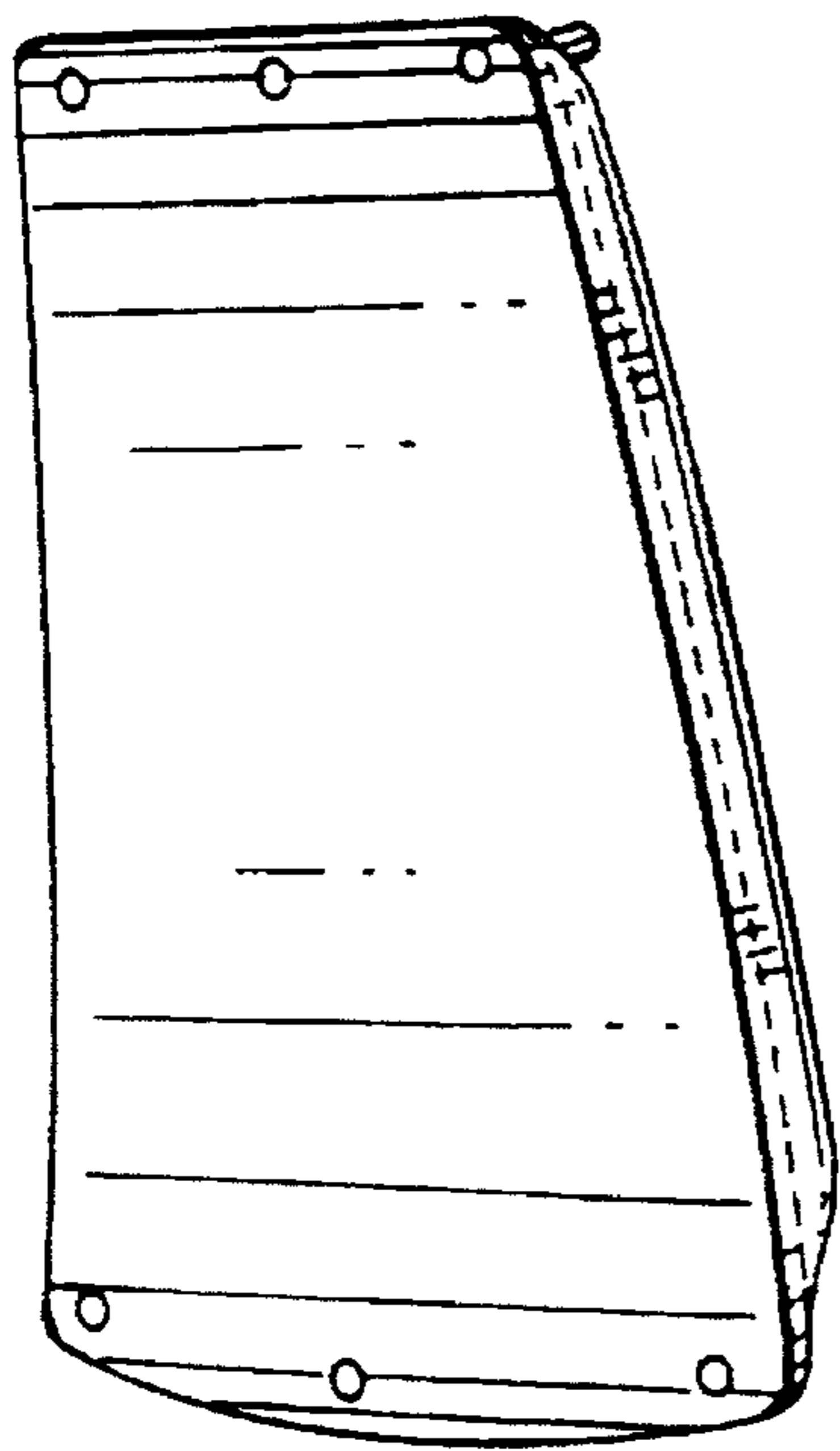


FIG. 6

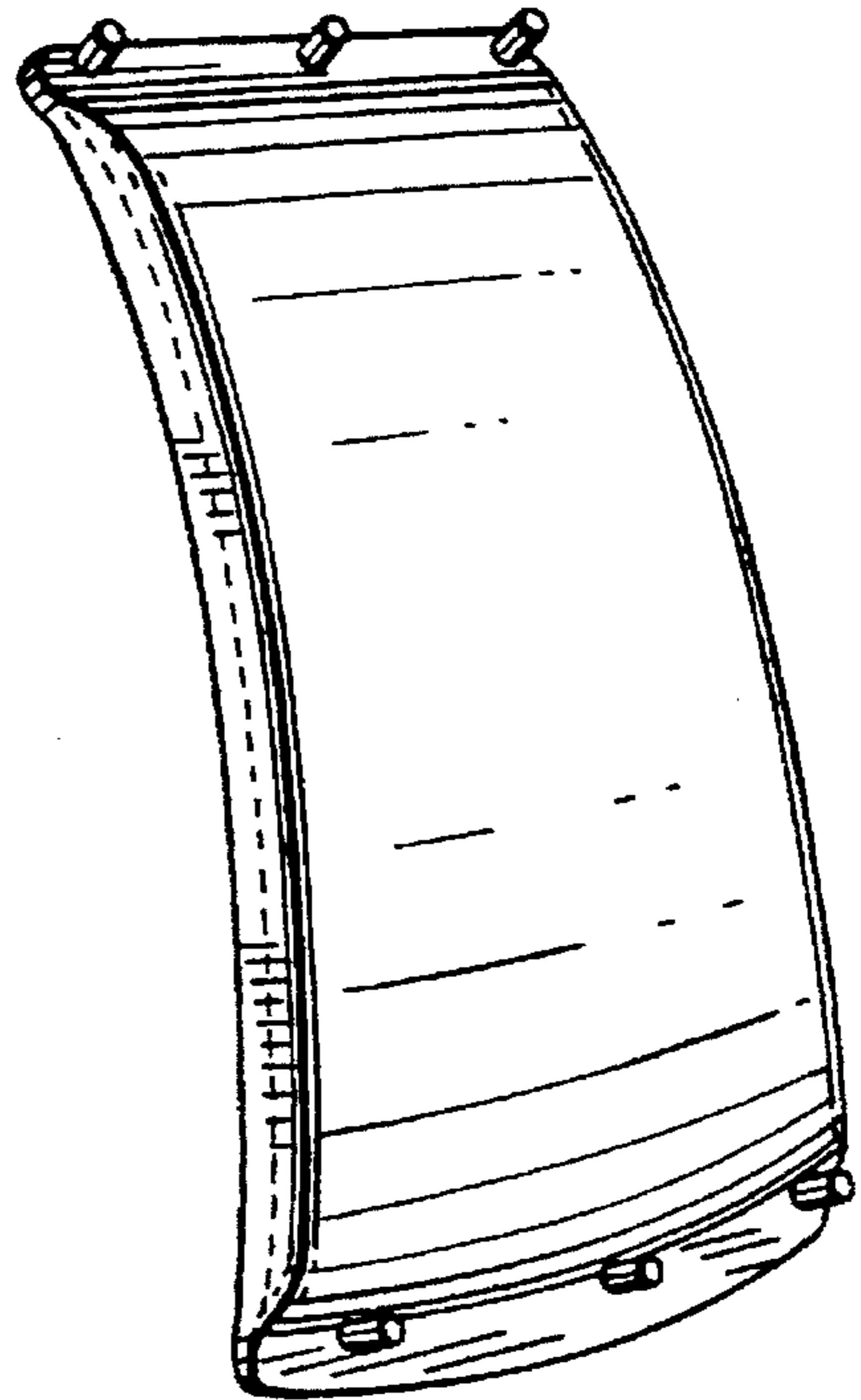


FIG. 7

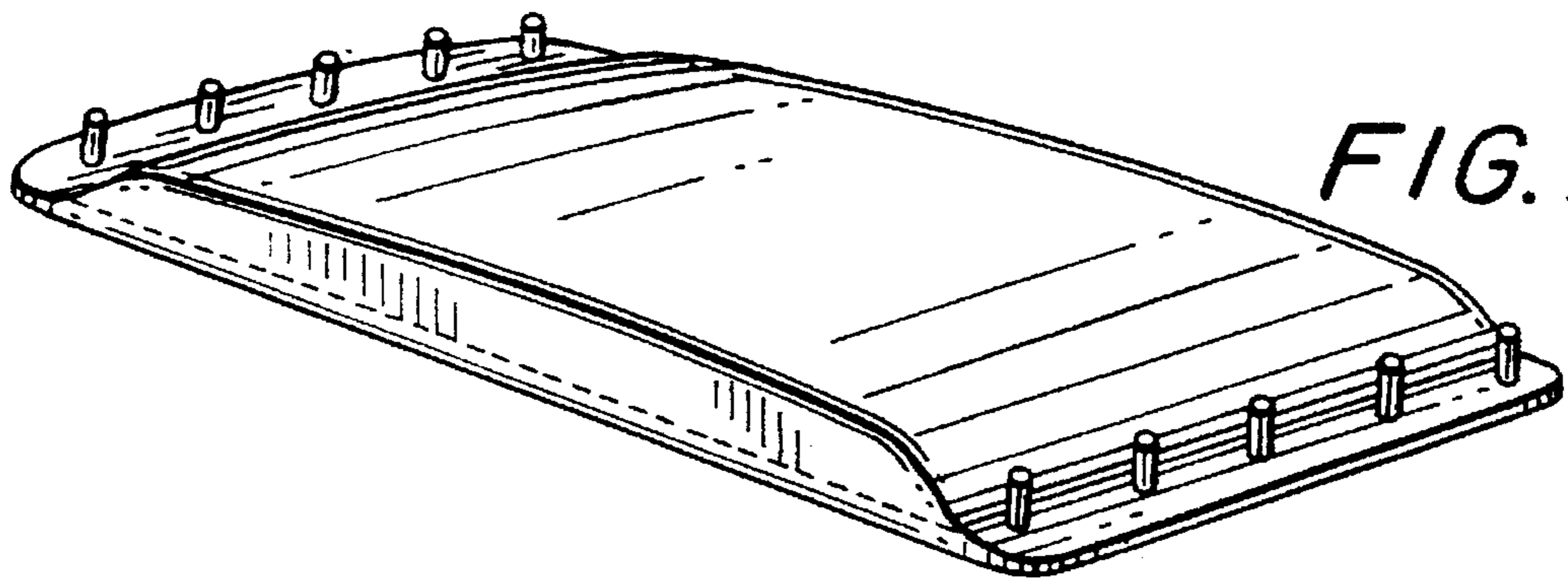


FIG. 8

