



US00D383005S

United States Patent [19]

[11] Patent Number: **Des. 383,005**

Betts

[45] Date of Patent: ****Sep. 2, 1997**

[54] **SPRING HANGER REPLACEMENT PAD**

D. 373,524	9/1996	Mainville	D8/395
3,001,258	9/1961	Anderson	24/511
5,018,650	5/1991	Mauffette	223/93
5,457,858	10/1995	Lin	24/511

[76] Inventor: **W. Michael Betts**, 123 Requa,
Piedmont, Calif. 94611

[**] Term: **14 Years**

Primary Examiner—Raphael Barkai
Attorney, Agent, or Firm—Bruce & McCoy

[21] Appl. No.: **41,625**

[57] **CLAIM**

[22] Filed: **Jul. 18, 1995**

The ornamental design for a spring hanger replacement pad,
as shown and described.

[51] LOC (6) Cl. **06-08**

[52] U.S. Cl. **D6/328**

[58] Field of Search D6/328; D8/395;
24/511; 223/90, 91, 93, 96, DIG. 2

DESCRIPTION

FIG. 1 is a perspective view showing my new design;
FIG. 2 is a top plan view thereof;
FIG. 3 is a bottom plan view thereof;
FIG. 4 is a side elevation thereof;
FIG. 5 is a rear elevation thereof;
FIG. 6 is an end elevation thereof; and,
FIG. 7 is an opposite end elevation thereof.

[56] References Cited

U.S. PATENT DOCUMENTS

D. 199,007	8/1964	Eklind	D6/328
D. 216,845	3/1970	Wheeler	D6/328
D. 233,103	10/1974	Landin	D6/328
D. 307,650	5/1990	Murdock	D8/395
D. 368,567	4/1996	Chase	D8/395

1 Claim, 1 Drawing Sheet

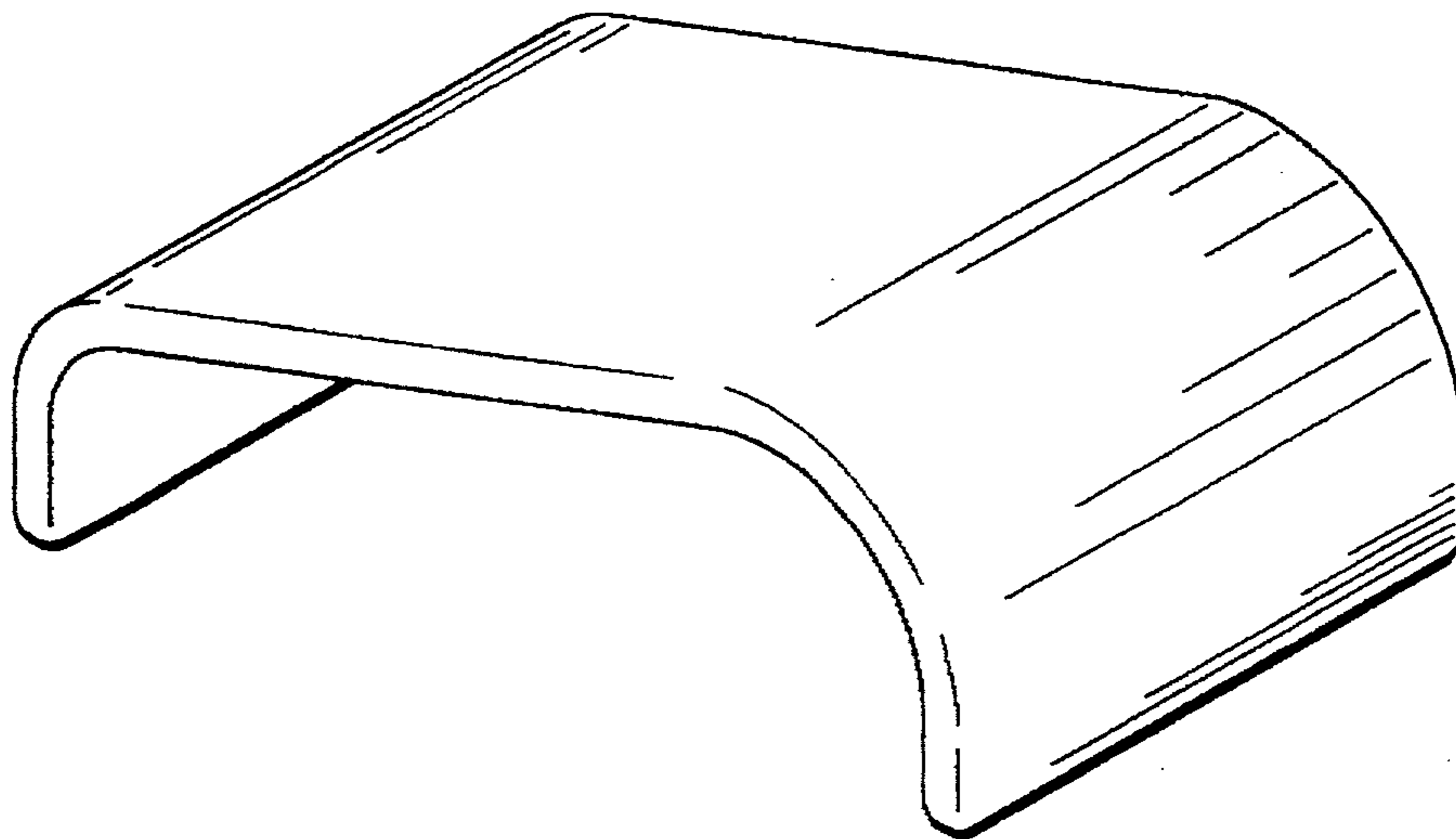


FIG.-1

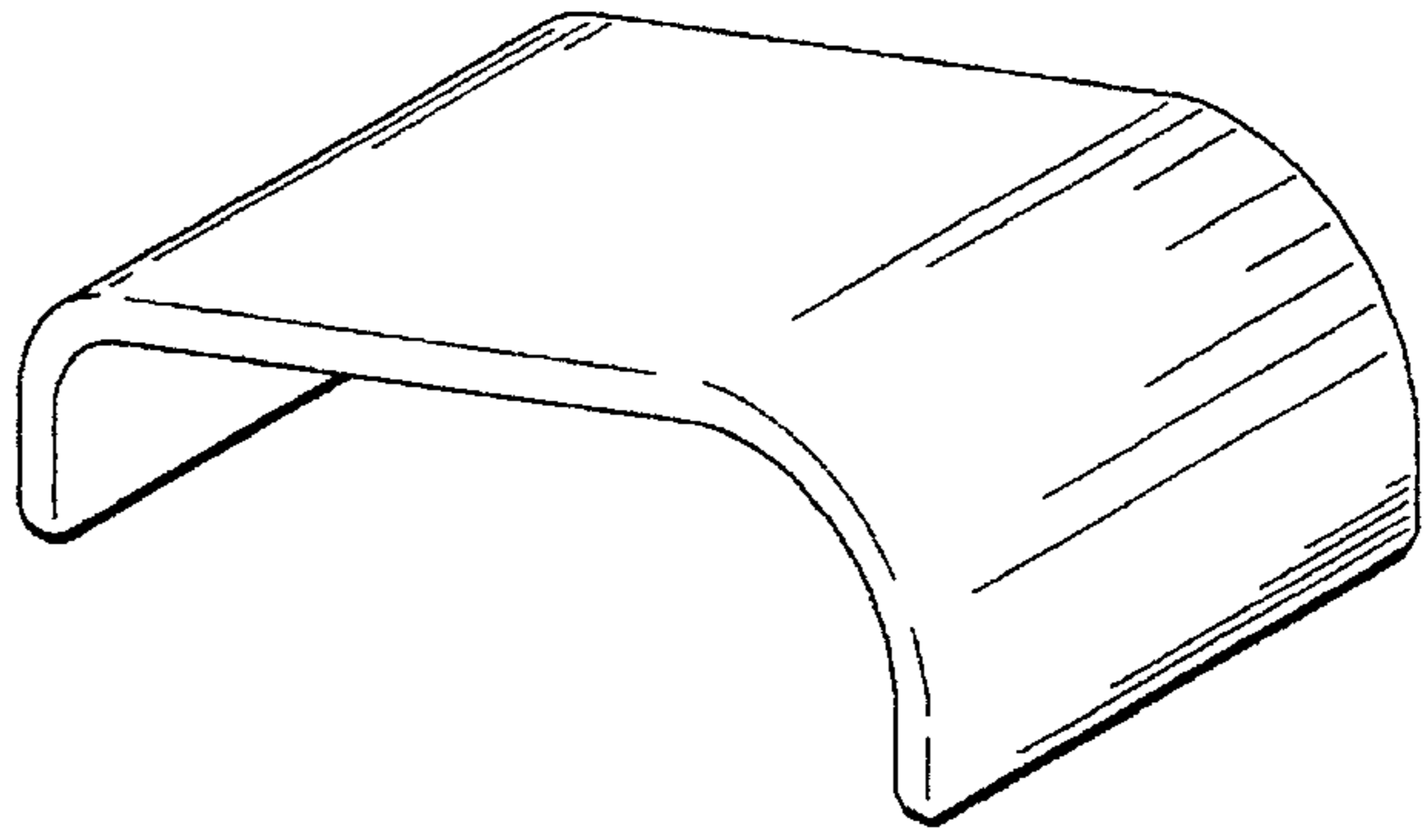


FIG.-2

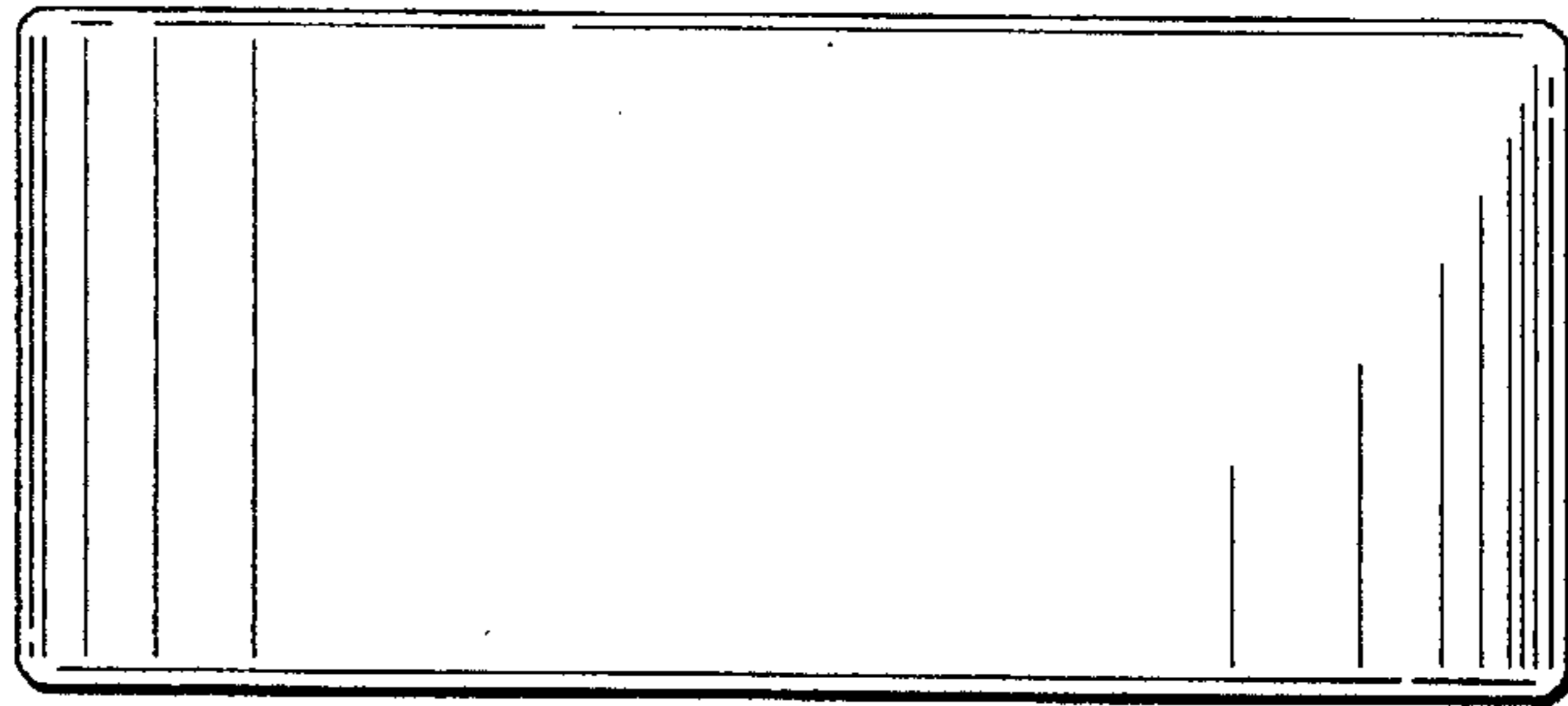


FIG.-3

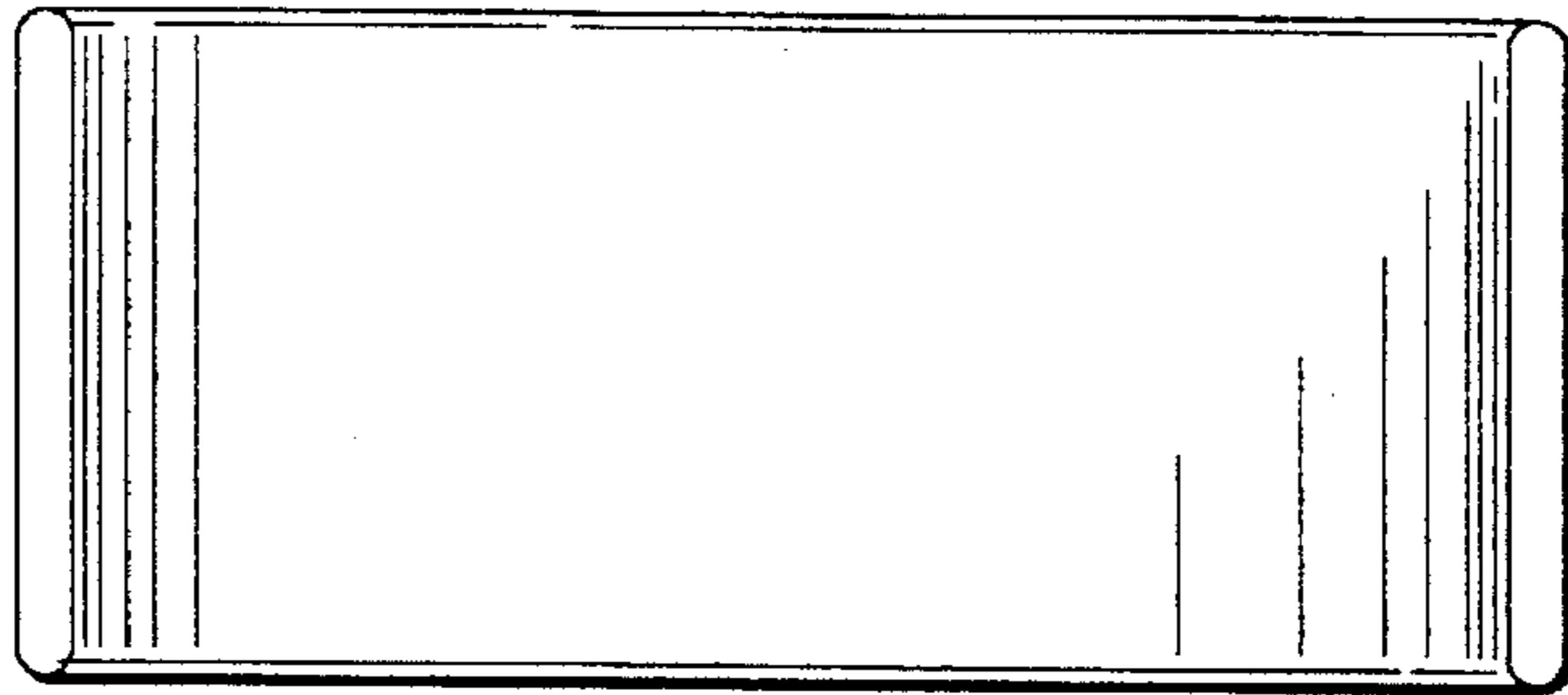


FIG.-4



FIG.-5

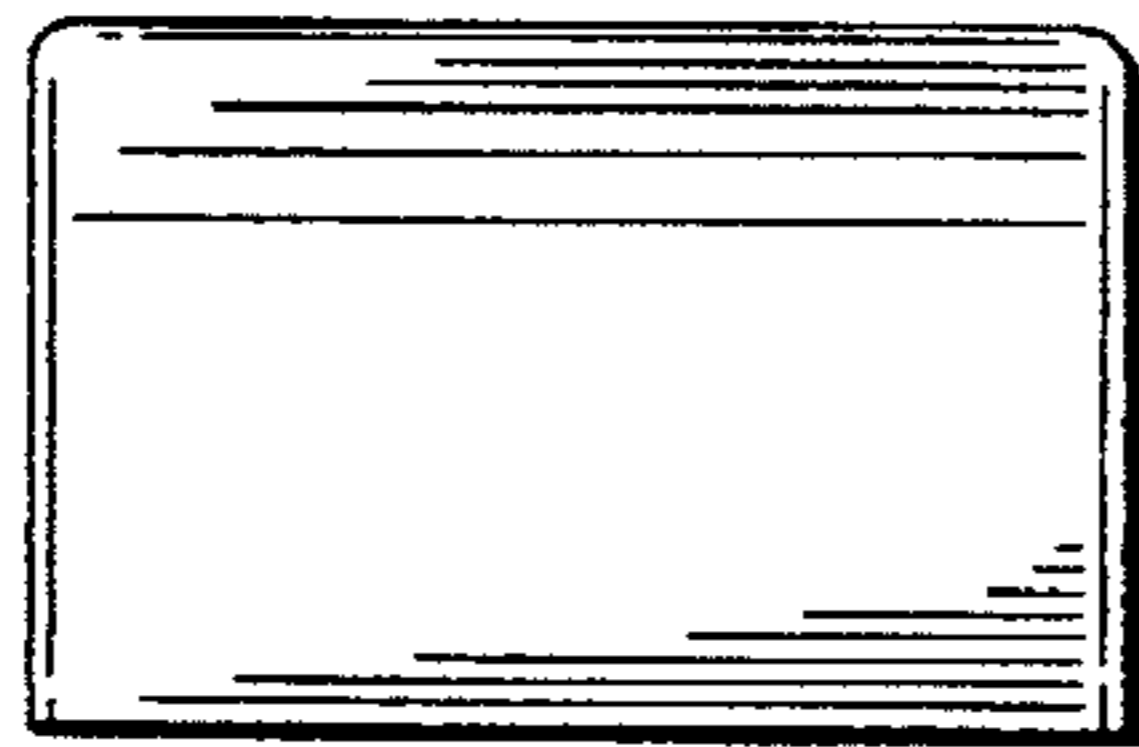


FIG.-6

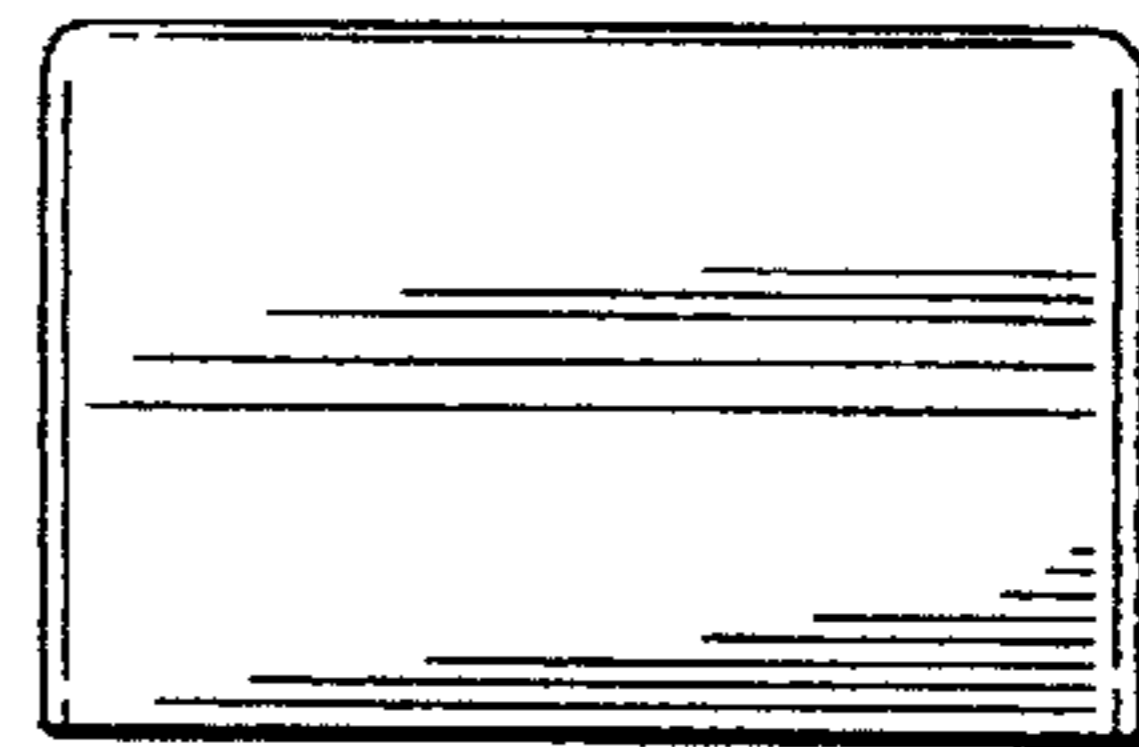


FIG.-7