



US00D383002S

United States Patent [19]
Rigney

[11] **Patent Number: Des. 383,002**

[45] **Date of Patent: **Sep. 2, 1997**

[54] **COMBINED BRUSH, DUSTPAN, AND WASTE CAN**

[76] **Inventor: Jack C. Rigney, 916 Prescott Blvd., Deltona, Fla. 32738**

[**] **Term: 14 Years**

[21] **Appl. No.: 40,327**

[22] **Filed: Jun. 15, 1995**

[51] **LOC (6) Cl. 04-01**

[52] **U.S. Cl. D4/116; D4/129; D32/74; D34/1**

[58] **Field of Search** D4/116, 121, 130, D4/132, 135, 199; D32/74; D34/1, 7; 15/105, 159.1, 160, 186, 187, 257.1-257.9; 220/904, 908, DIG. 12-DIG. 14

[56] **References Cited**

U.S. PATENT DOCUMENTS

D. 182,580	4/1958	Fredrickson	D4/121
D. 324,122	2/1992	Brüssing	D34/1 X
D. 335,728	5/1993	Dziersk et al.	D34/1
D. 355,739	2/1995	Bird et al.	D34/1
2,676,728	4/1954	Smith	15/257.1 X
3,156,941	11/1964	Tomaiuolo	15/257.1
3,170,183	2/1965	Leatherman	15/257.1

FOREIGN PATENT DOCUMENTS

1021750	3/1966	United Kingdom	15/257.2
---------	--------	----------------	-------	----------

Primary Examiner—A. Hugo Word

Assistant Examiner—Lavone Tabor

Attorney, Agent, or Firm—Larry D. Johnson

[57] **CLAIM**

The ornamental design for a combined brush, dustpan, and waste can, as shown and described.

DESCRIPTION

FIG. 1 is a perspective view of a combined brush, dustpan, and waste can showing my new design;

FIG. 2 is an exploded perspective view thereof;

FIG. 3 is an enlarged front elevational view of the waste can portion of FIG. 1 shown separately for clarity of illustration only;

FIG. 4 is a rear elevational view of FIG. 3;

FIG. 5 is a top plan view of FIG. 3;

FIG. 6 is a bottom plan view of FIG. 3;

FIG. 7 is a right side elevational view of FIG. 3, the left side being a mirror image thereof;

FIG. 8 is an enlarged front elevational view of the dustpan portion of FIG. 1, shown separately for clarity of illustration only;

FIG. 9 is a right side elevational view of FIG. 8, the left side being a mirror image thereof;

FIG. 10 is a rear elevational view of FIG. 8;

FIG. 11 is a top plan view of FIG. 8;

FIG. 12 is a bottom plan view of FIG. 8;

FIG. 13 is an enlarged, inverted front elevational view of brush portion of FIG. 1, shown separately for clarity of illustration only;

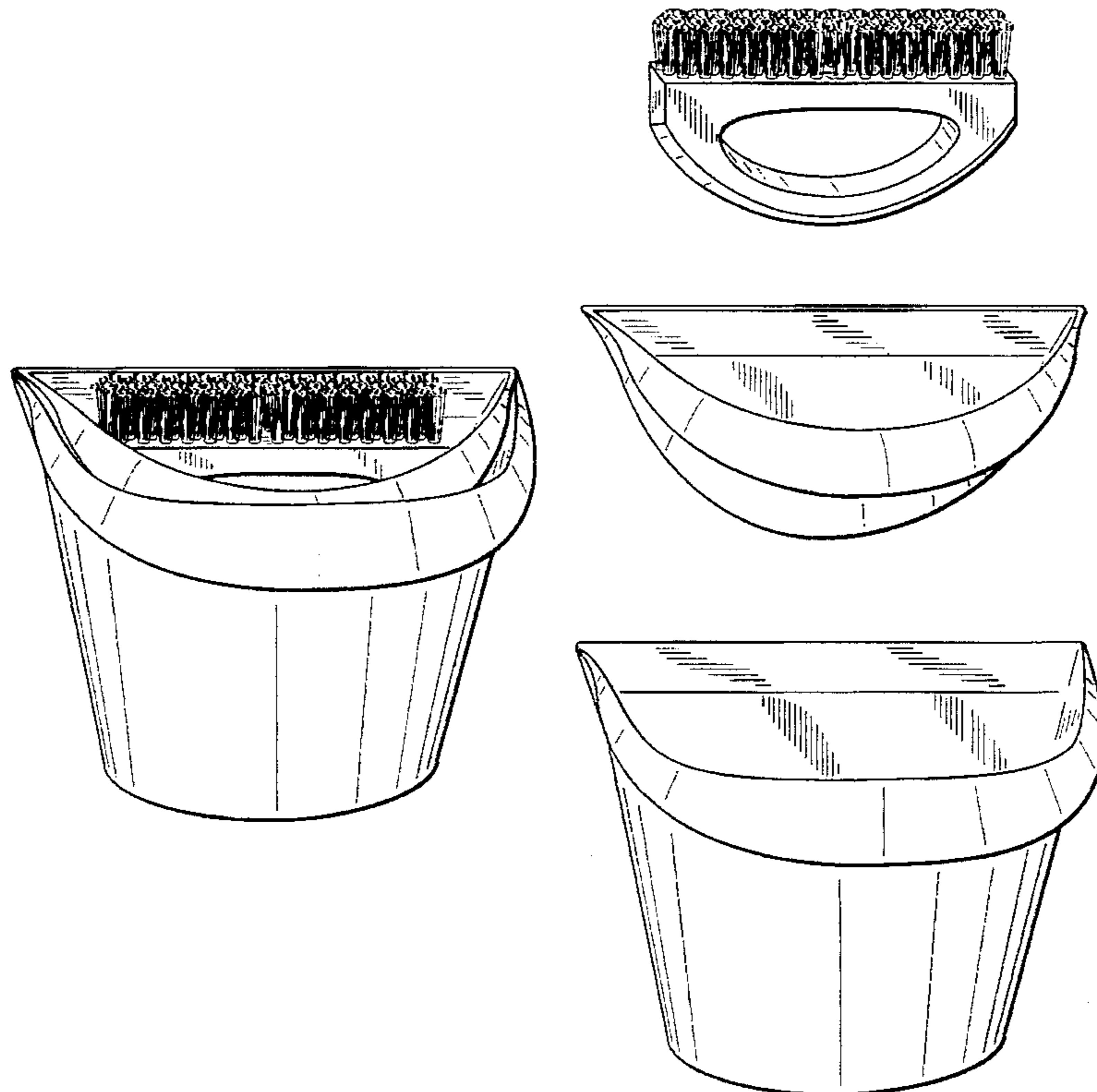
FIG. 14 is a right side elevational view of FIG. 13, the left side being a mirror image thereof;

FIG. 15 is a rear elevational view of FIG. 13;

FIG. 16 is a top plan view of FIG. 13; and,

FIG. 17 is a bottom plan view of FIG. 13.

1 Claim, 7 Drawing Sheets



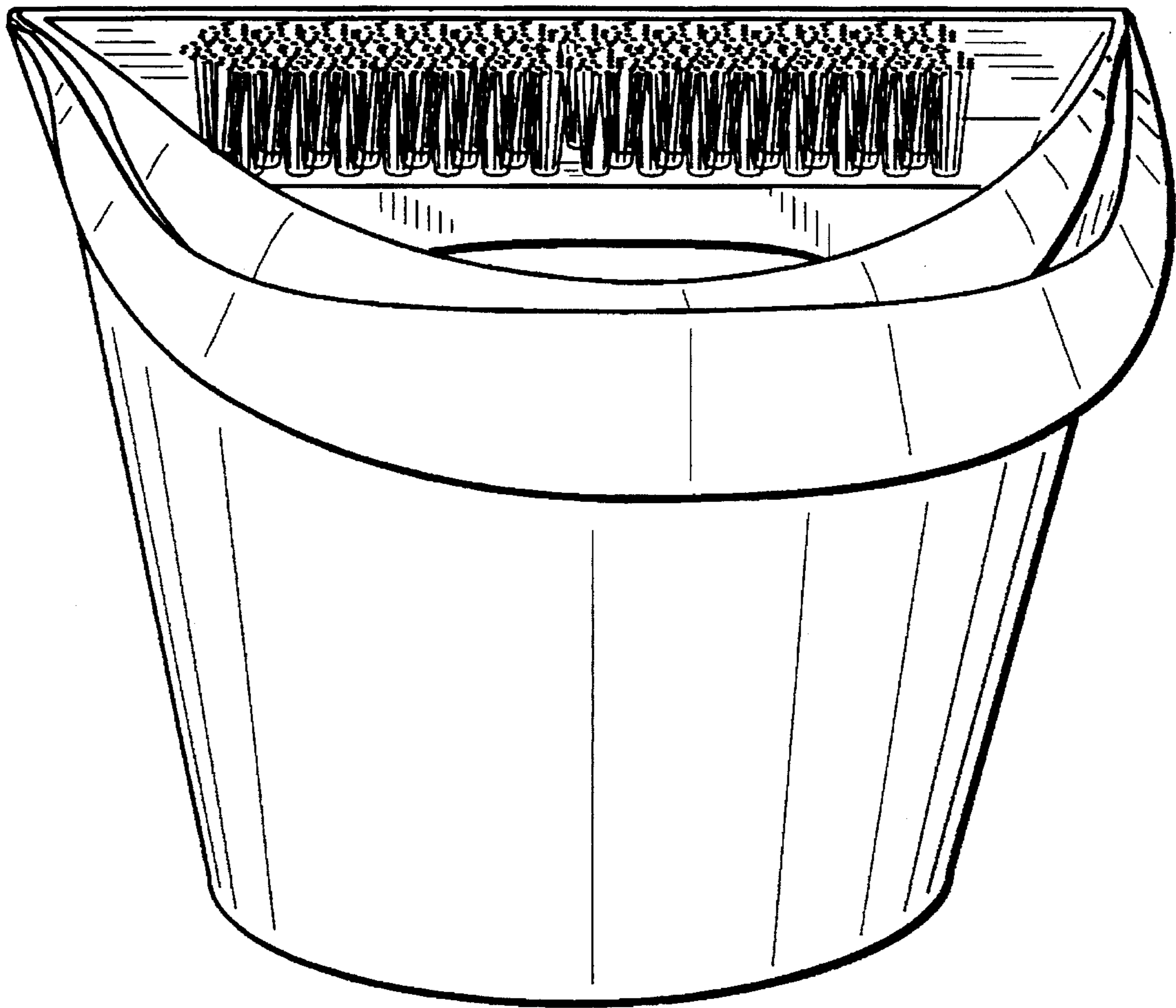
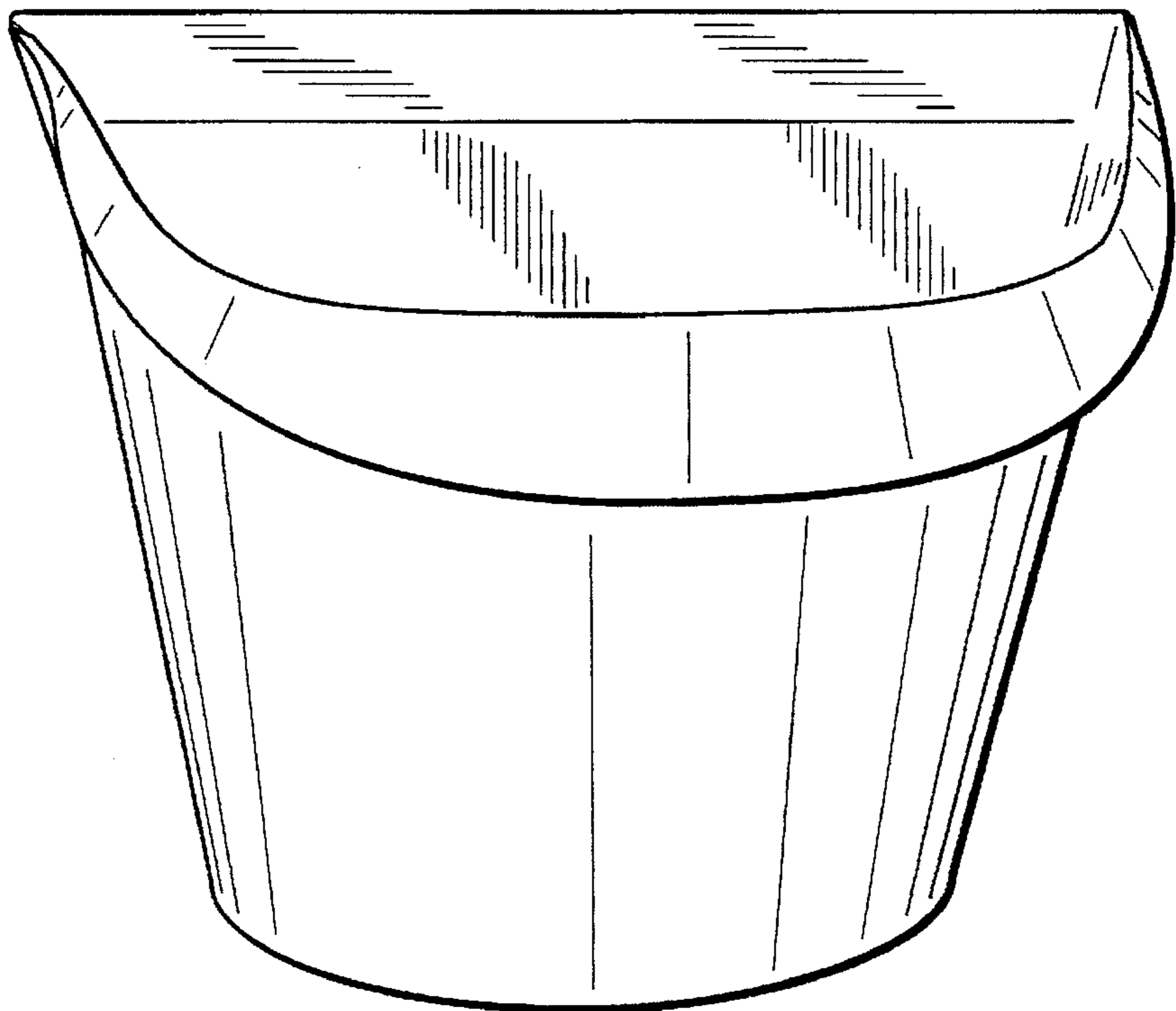
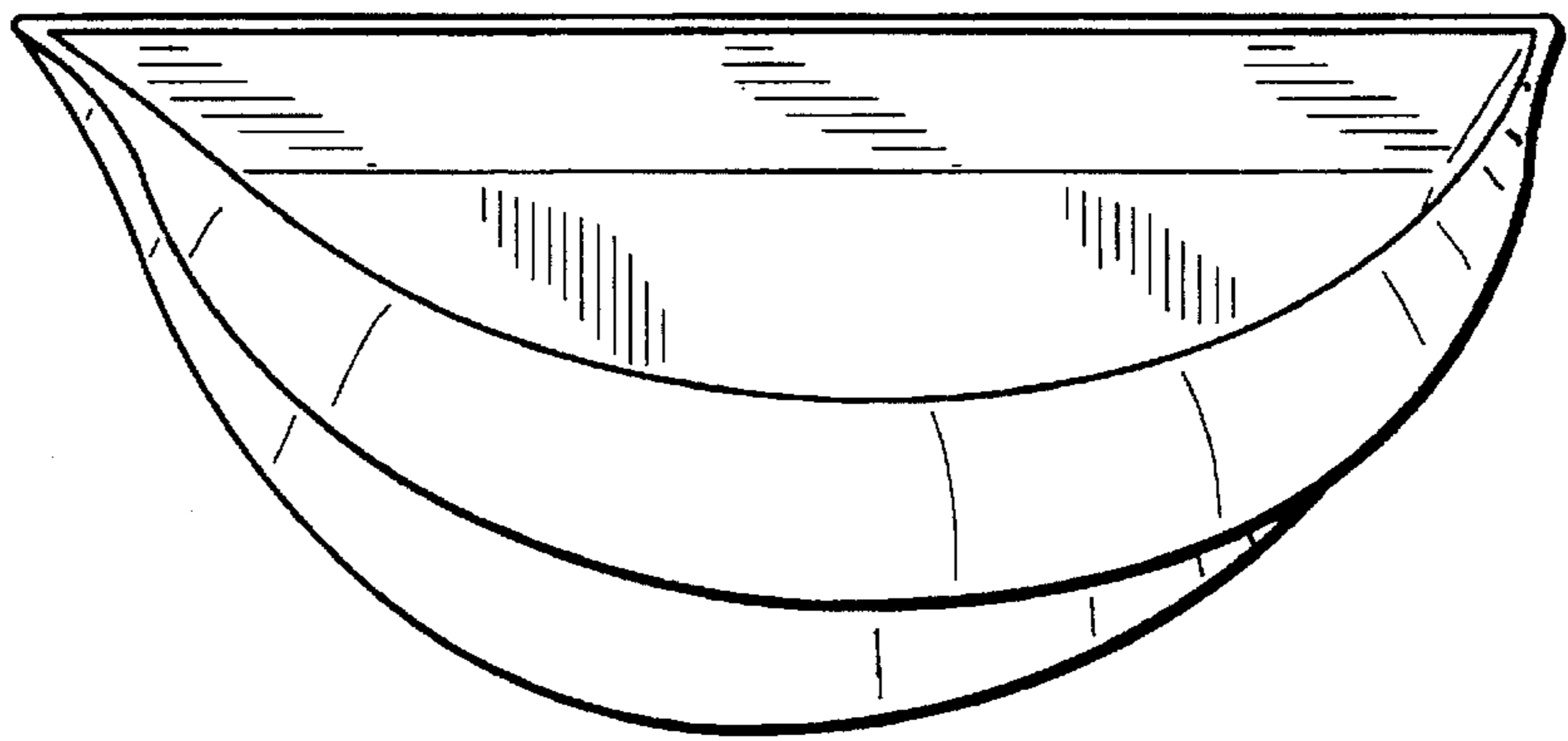
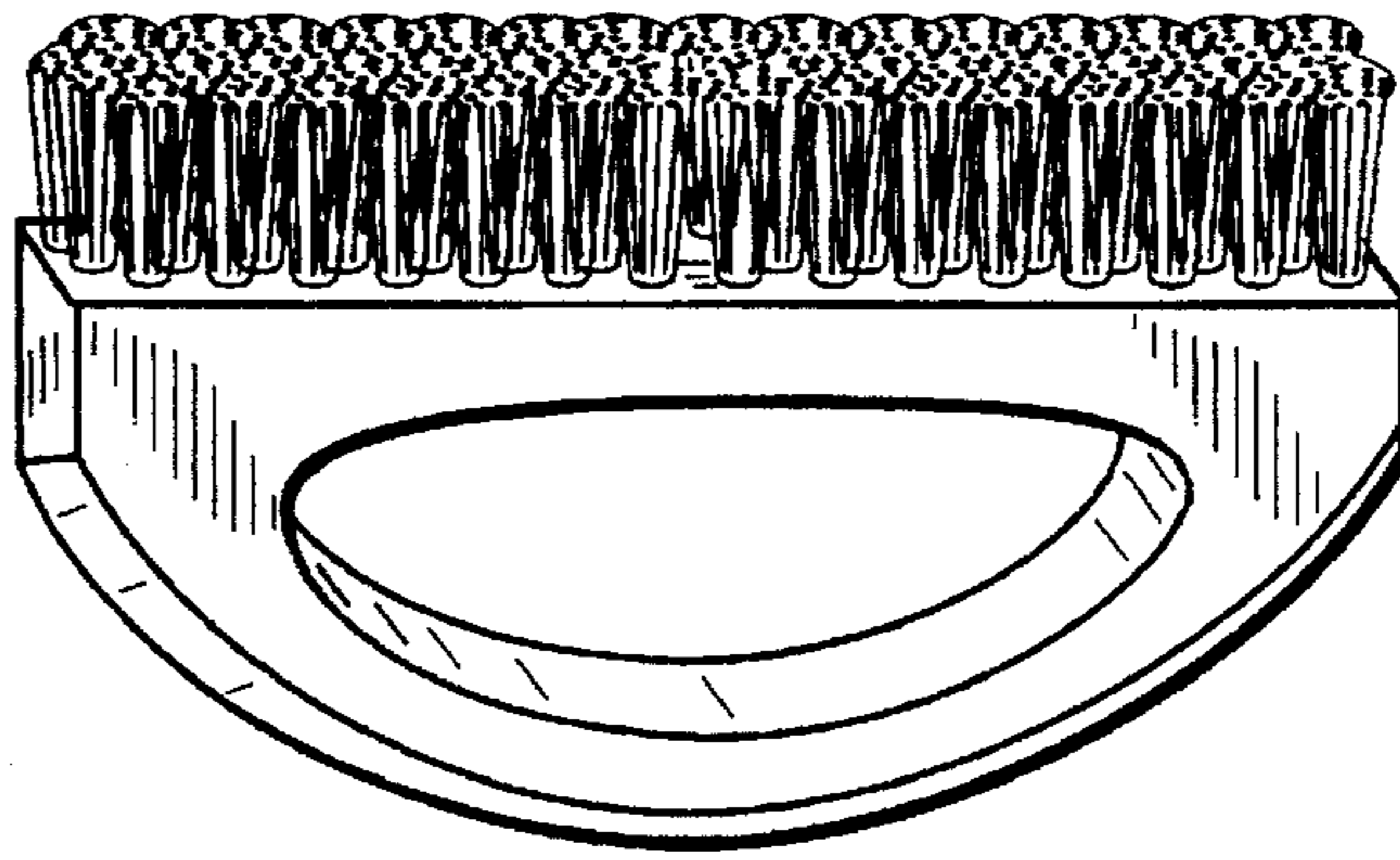
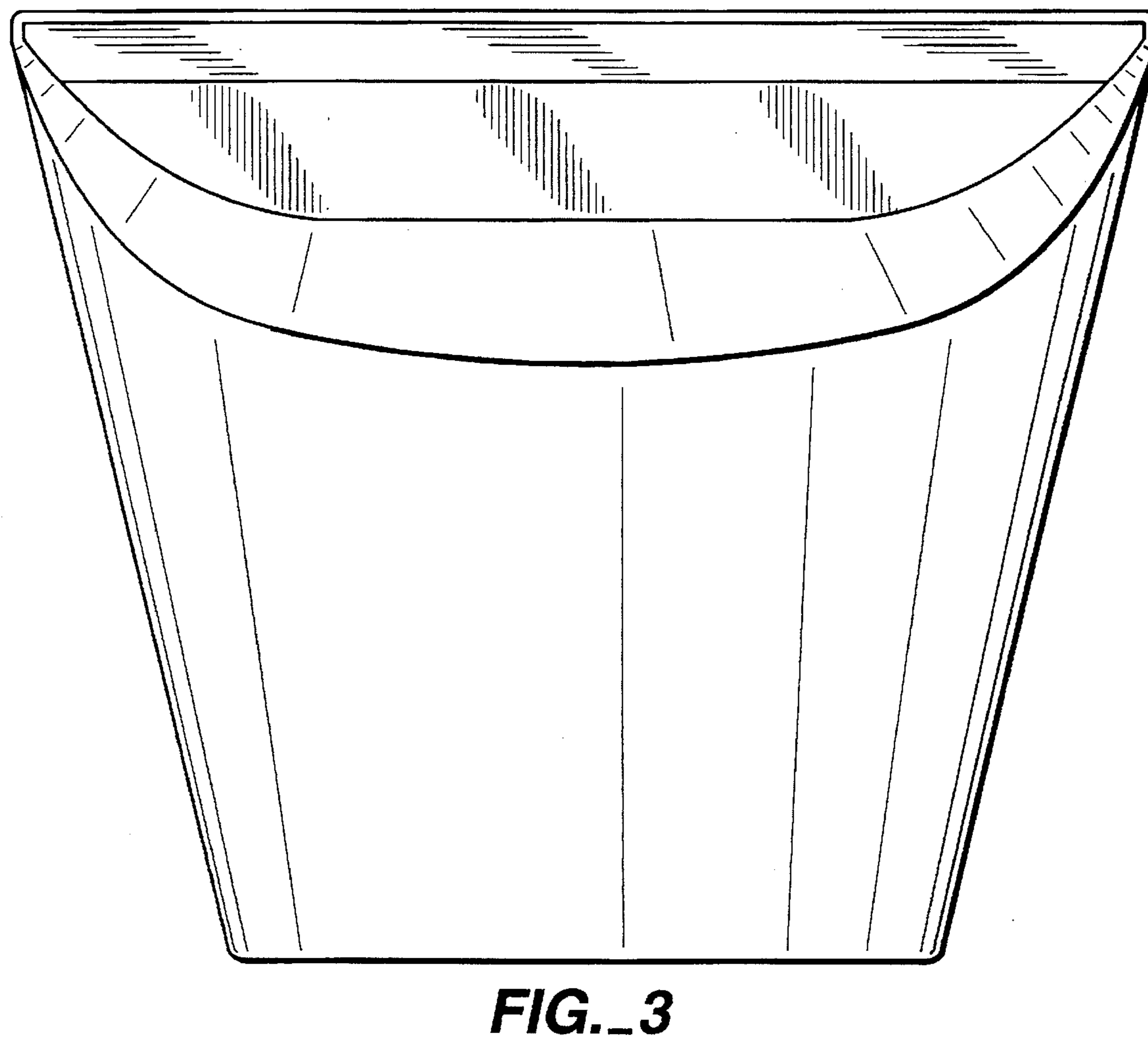
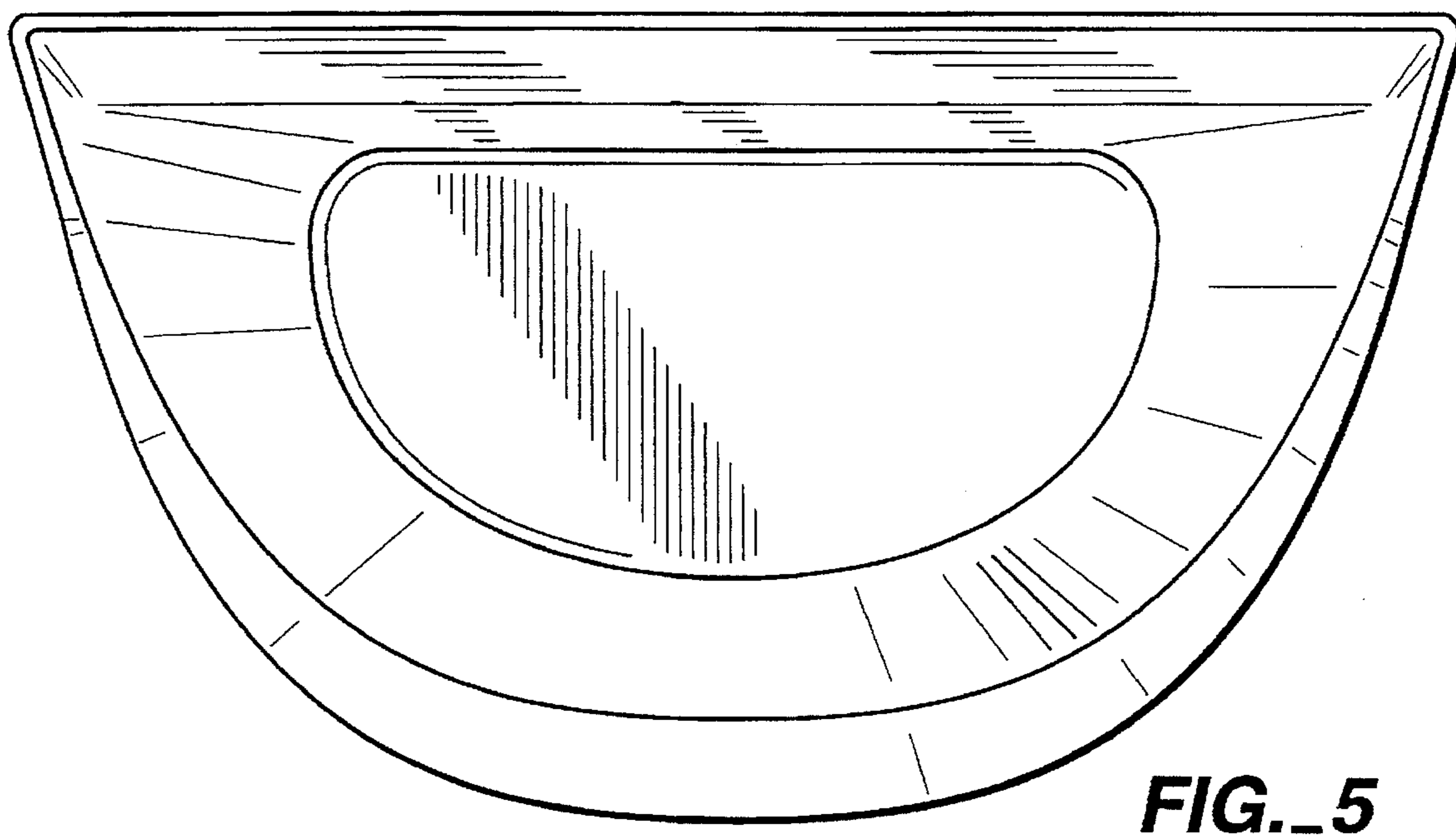


FIG. 1

FIG. 2





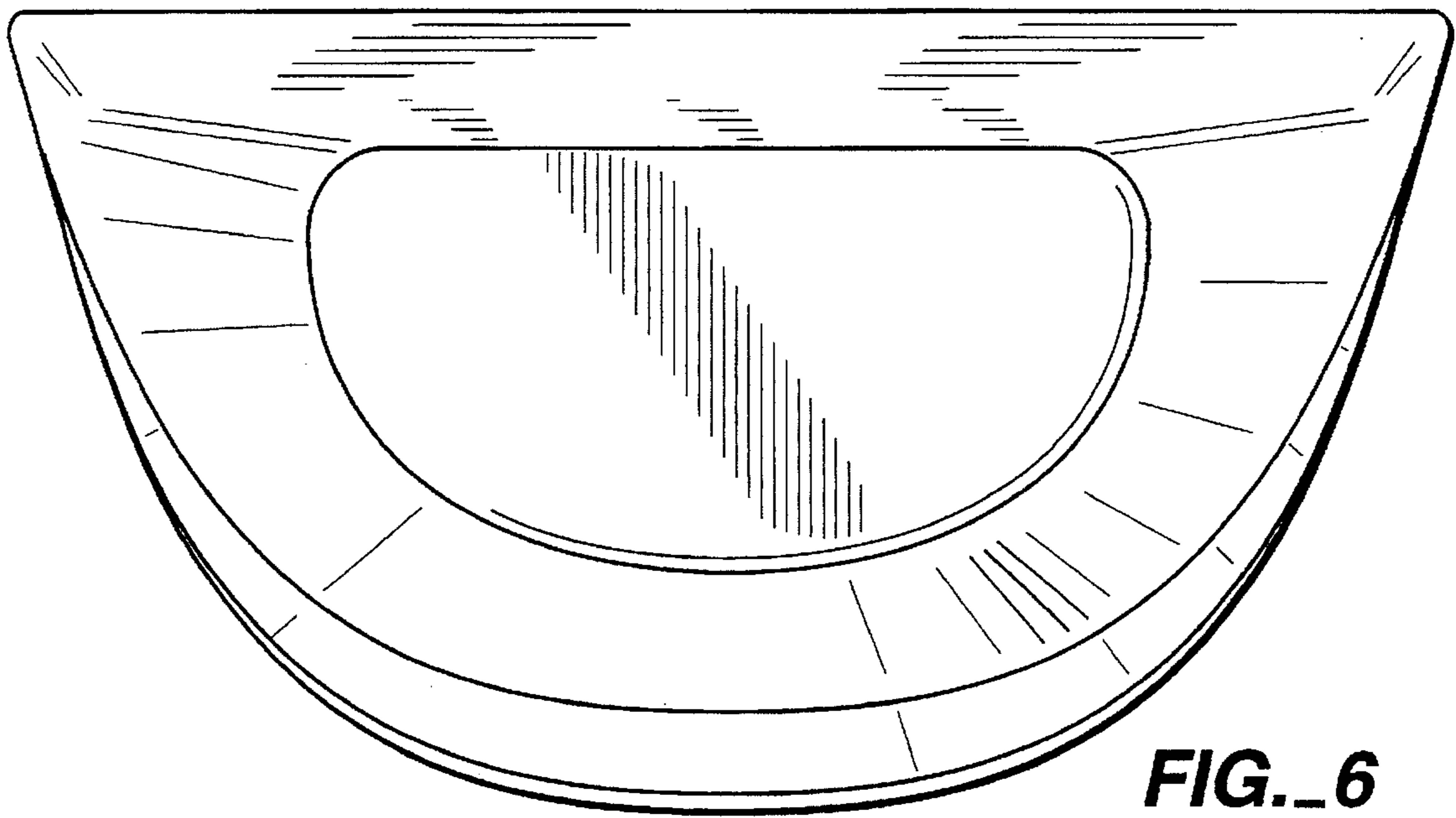


FIG._6

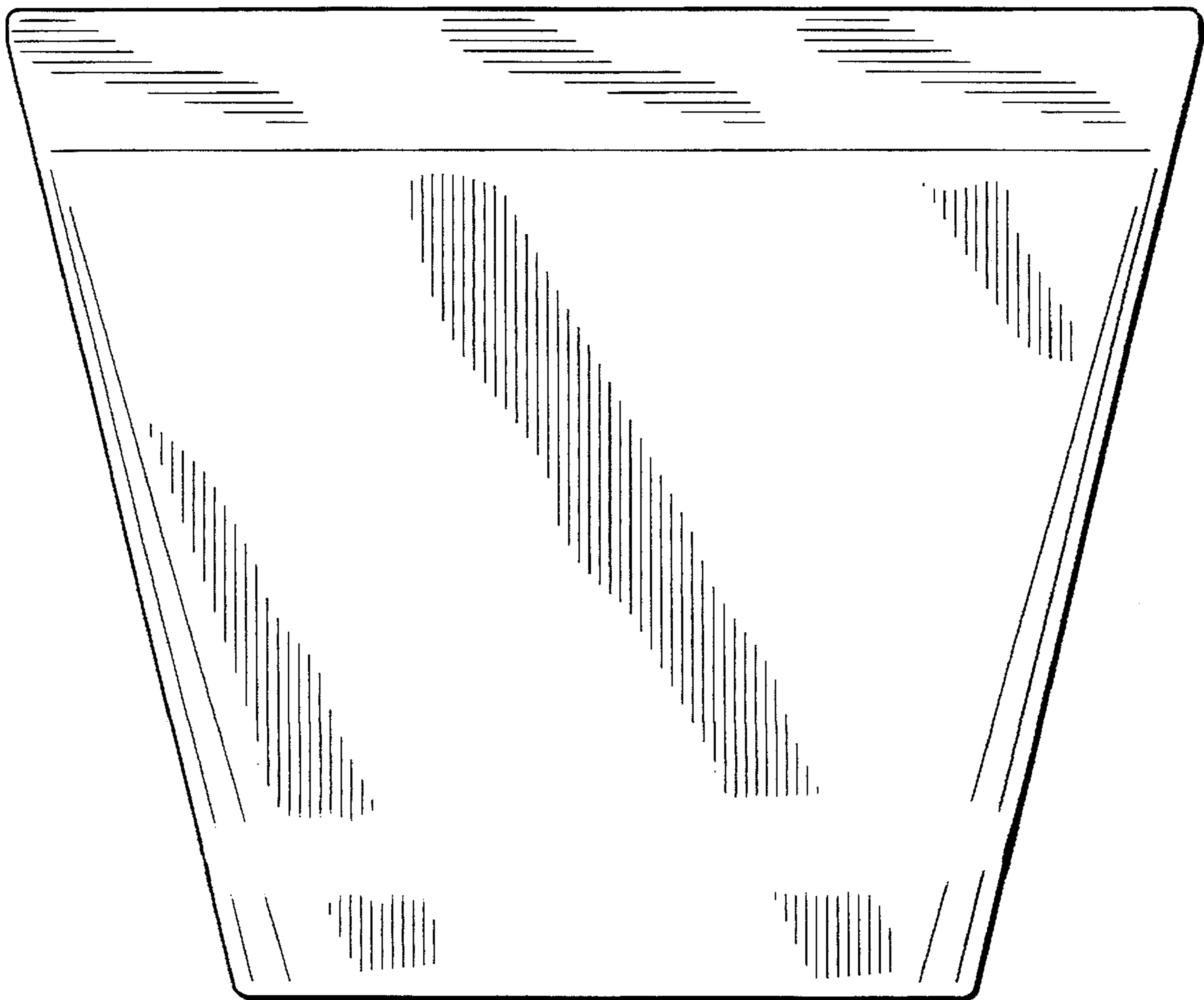


FIG._4

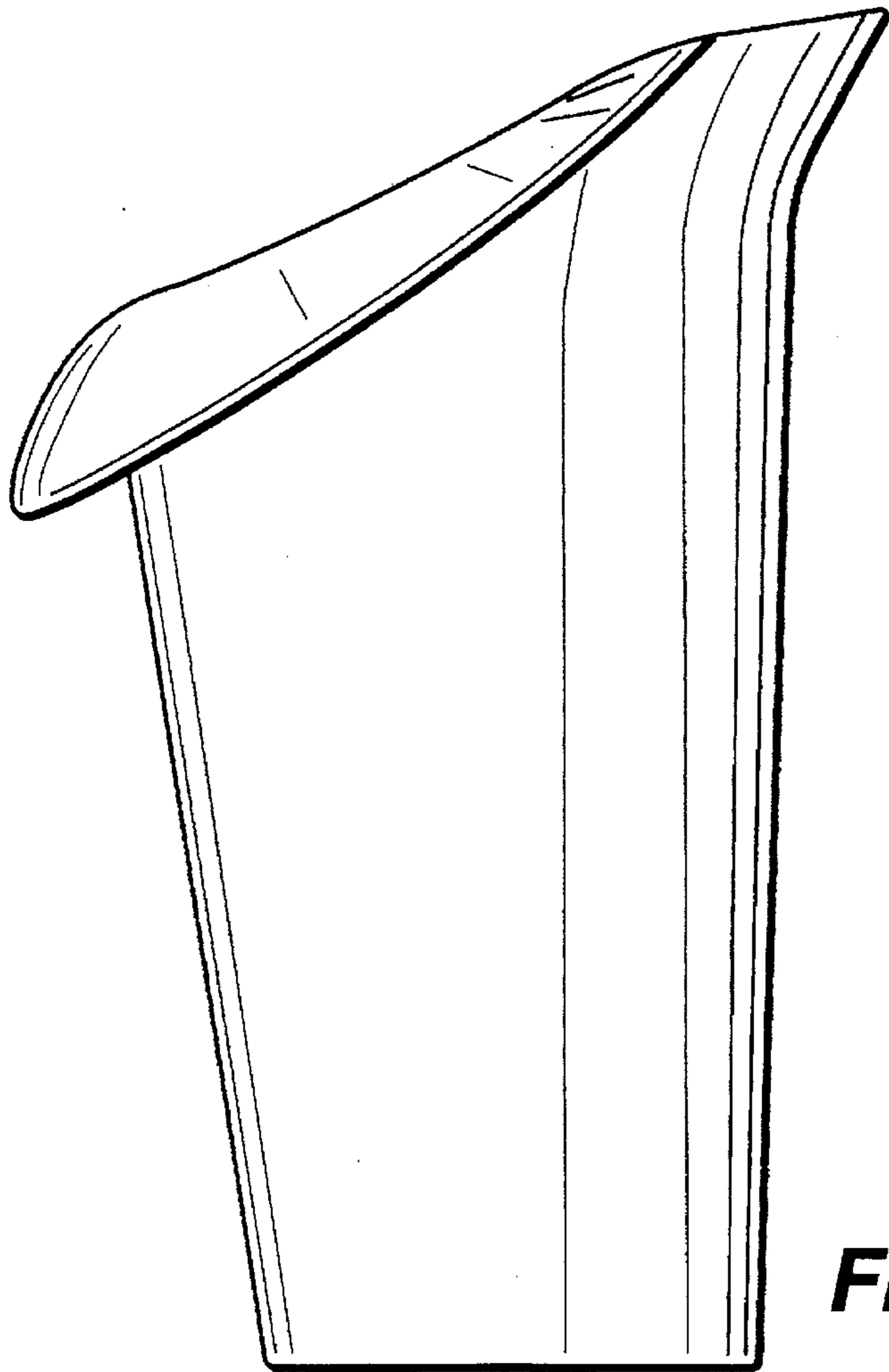


FIG._7

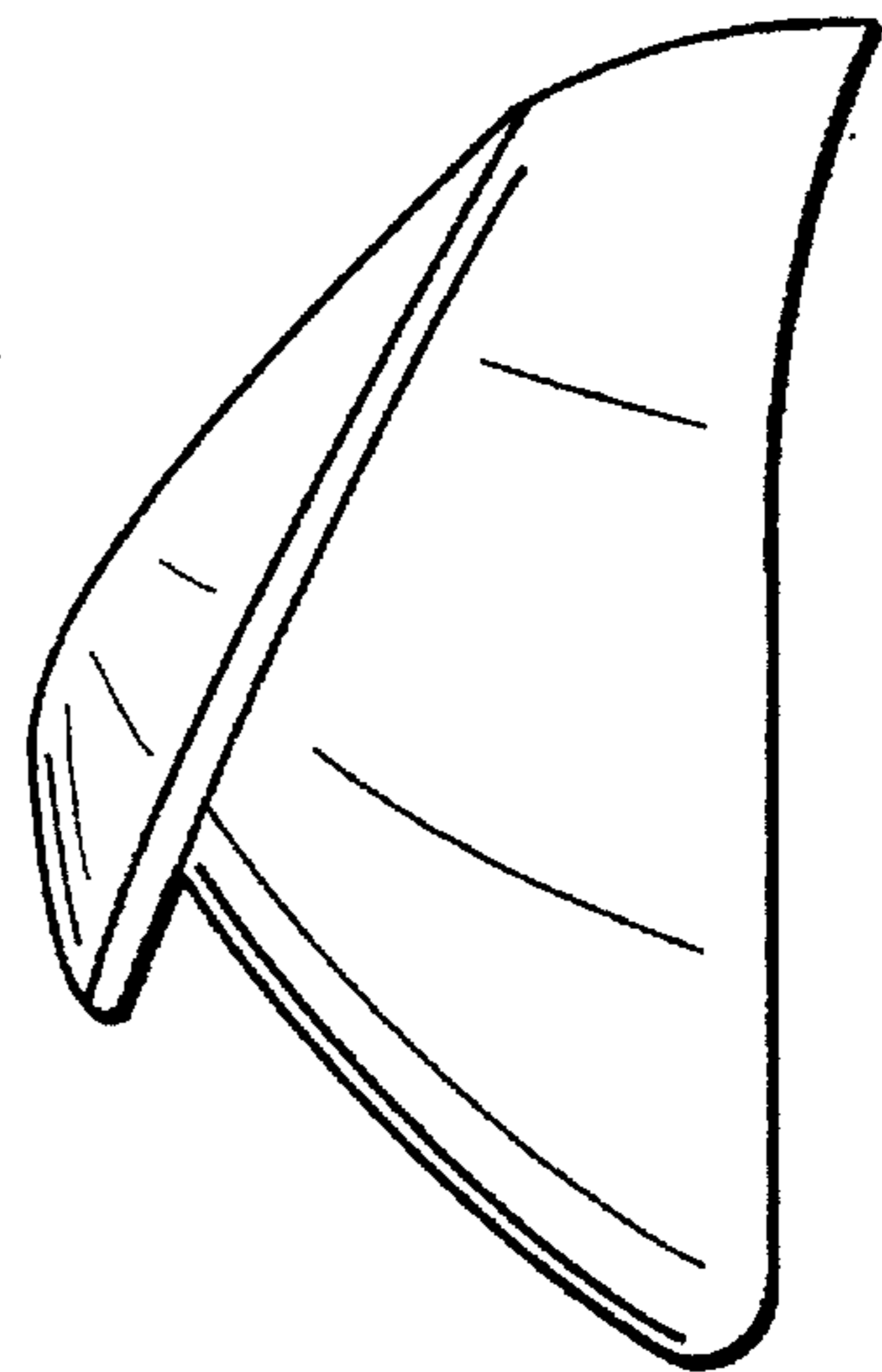


FIG._9

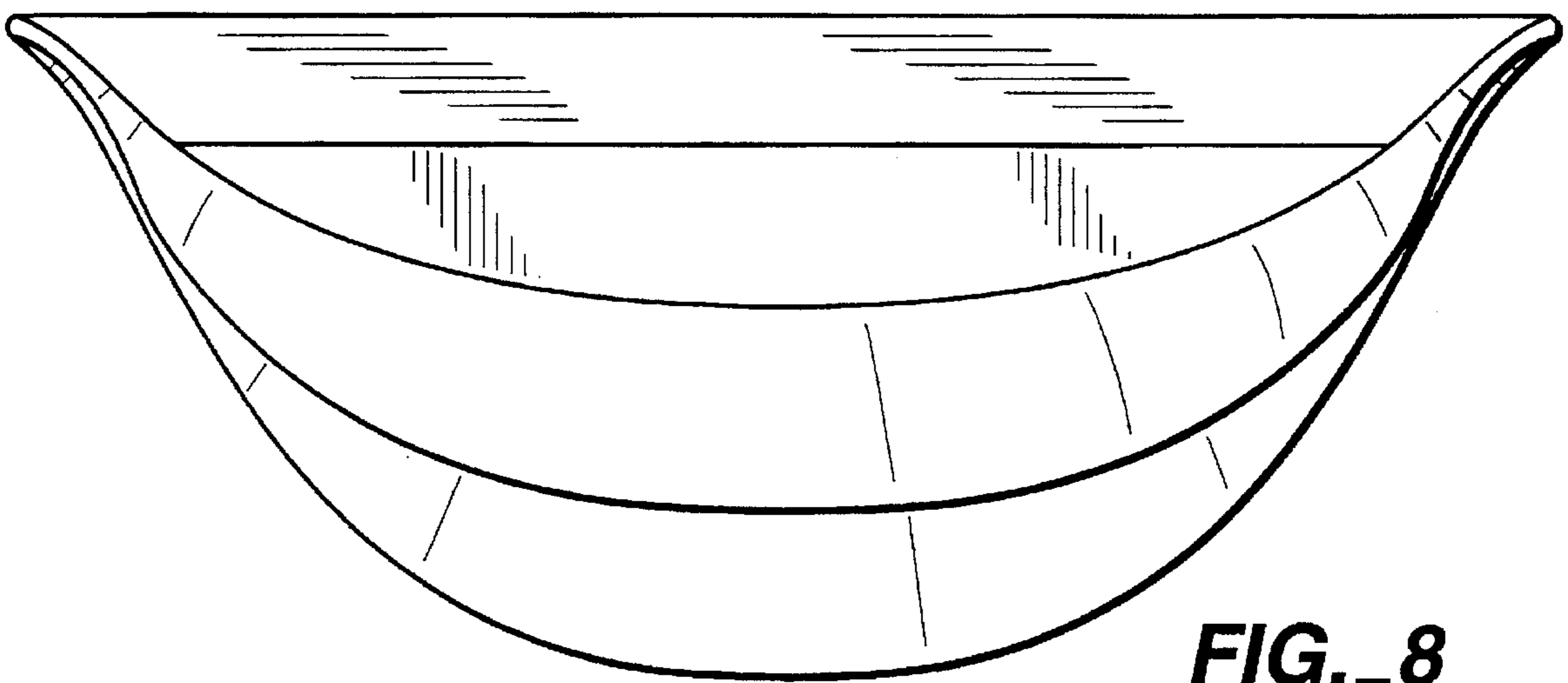
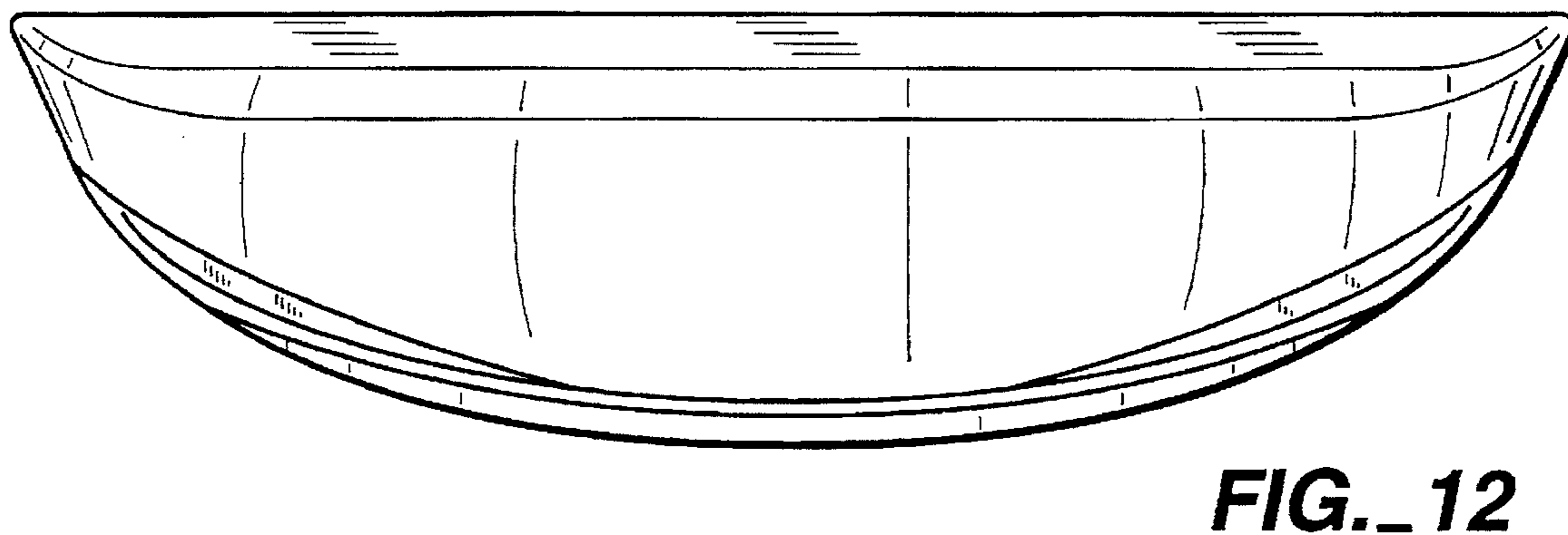
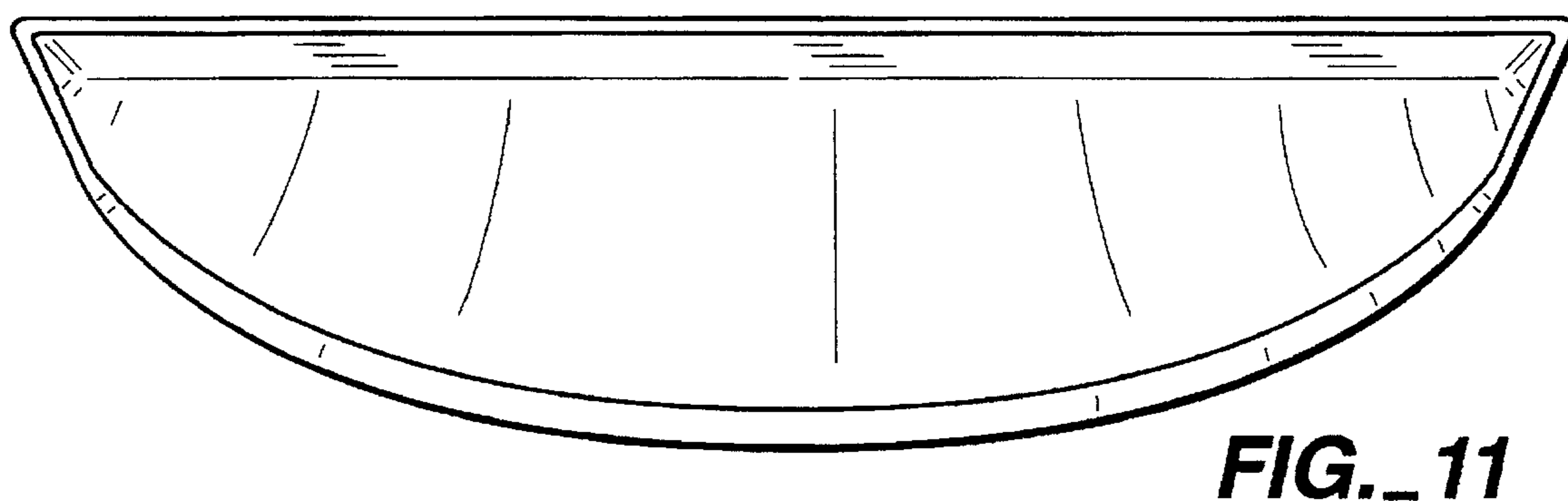
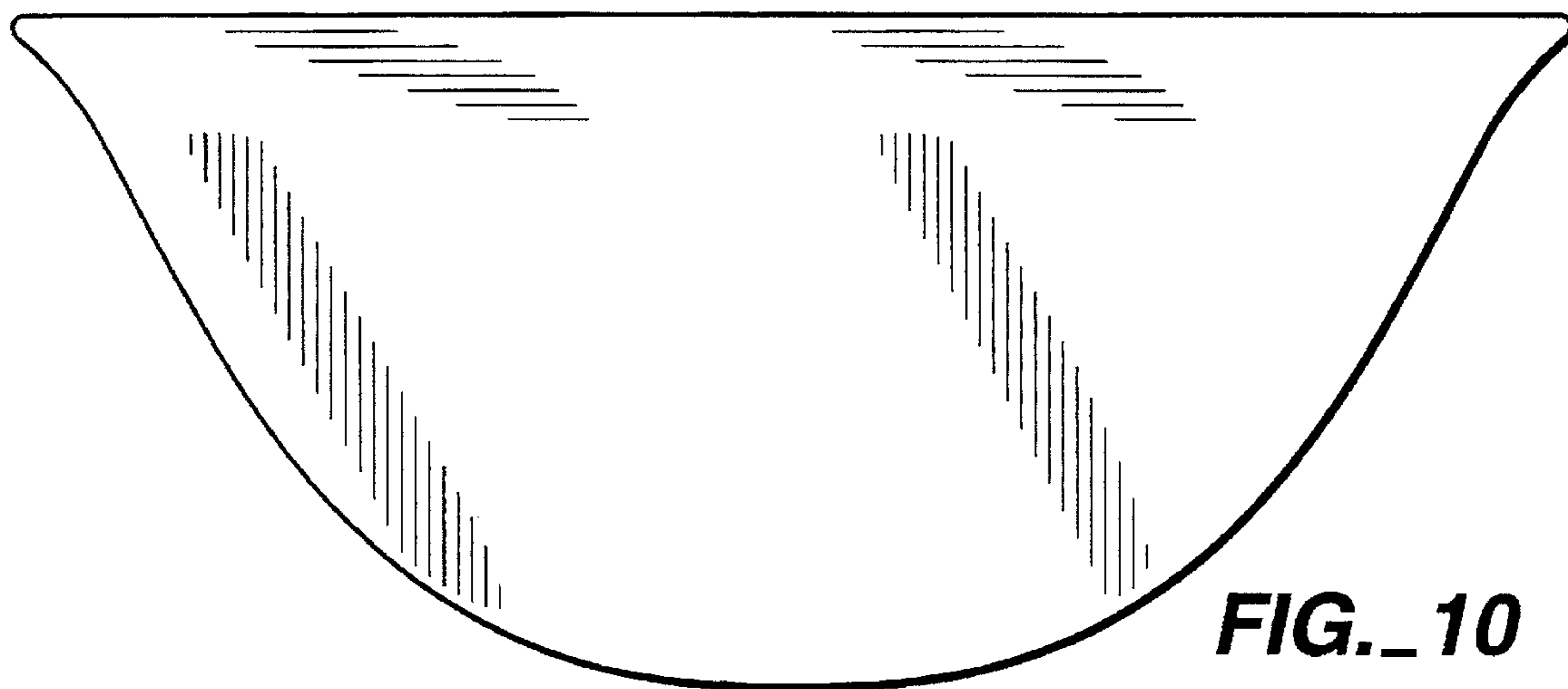


FIG._8



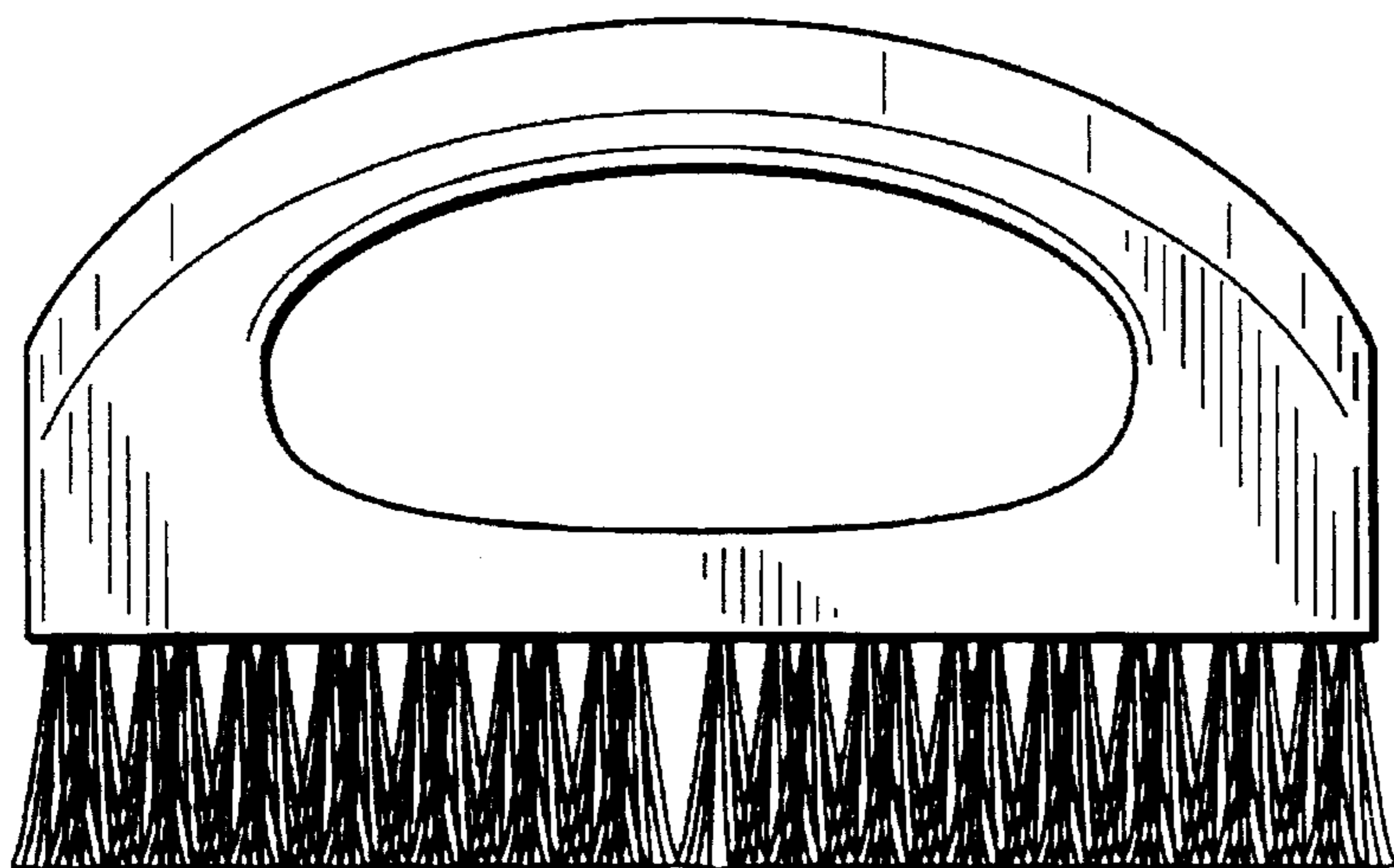


FIG._13



FIG._14

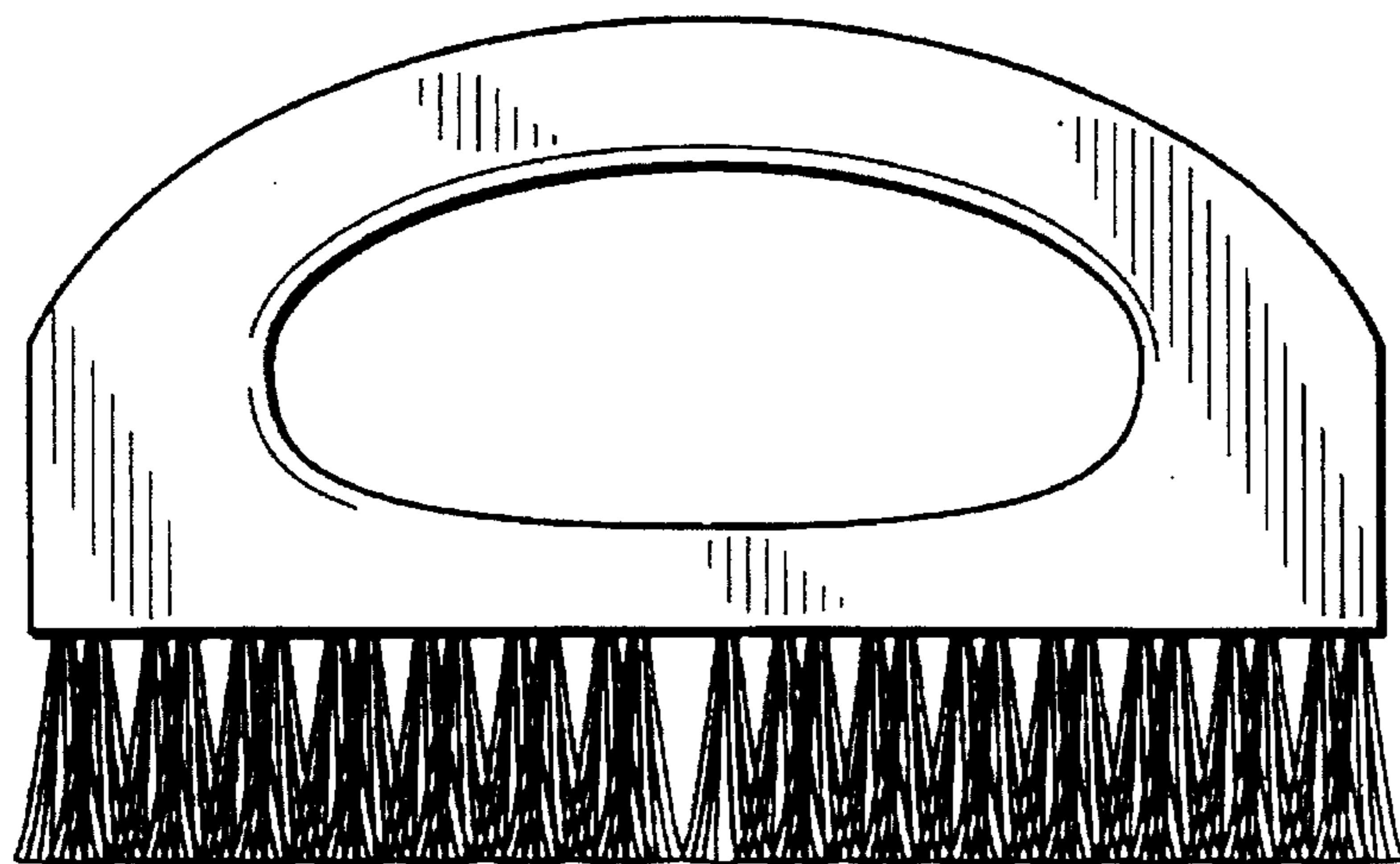


FIG._15



FIG._16



FIG._17