



US00D383000S

**United States Patent** [19]  
**Fendi**

[11] **Patent Number: Des. 383,000**

[45] **Date of Patent: \*\*\*Sep. 2, 1997**

[54] **CLASP FOR PURSES AND HANDBAGS**

[75] **Inventor: Paola Fendi, Rome, Italy**

[73] **Assignee: Fendi Paola & S.ile S.a.s., Rome, Italy**

[\*] **Notice:** The portion of the term of this patent subsequent to Jan. 7, 2011, has been disclaimed.

[\*\*] **Term: 14 Years**

[21] **Appl. No.: 34,613**

[22] **Filed: Feb. 8, 1995**

[30] **Foreign Application Priority Data**

Aug. 11, 1994 [XH] Hague Agreement ..... DM/030.395

[51] **LOC (6) Cl. .... 03-99**

[52] **U.S. Cl. .... D3/324; D3/323; D3/318**

[58] **Field of Search** ..... D3/201, 232, 318, D3/322, 327, 328; D11/200, 201, 216, 217, 218, 219; D19/65; 24/170, 335, 616; 150/118, 120; D2/627; 248/305; D8/367, 382; D30/139

[56] **References Cited**

**U.S. PATENT DOCUMENTS**

D. 77,791 2/1929 Slote ..... D11/218  
209,233 10/1878 Cox ..... 24/335 X

D. 335,476 5/1993 Stathis ..... D11/216  
D. 349,664 8/1994 Ueno ..... D11/218 X  
2,137,920 11/1938 Manickas ..... 24/616  
2,368,543 1/1945 Hattenrath ..... 24/616

**FOREIGN PATENT DOCUMENTS**

839731 6/1952 Germany ..... 24/335

*Primary Examiner*—Louis S. Zarfes  
*Assistant Examiner*—Monica A. Weingart  
*Attorney, Agent, or Firm*—Barnes, Kisselle, Raisch, Choate, Whittemore & Hulbert, P.C.

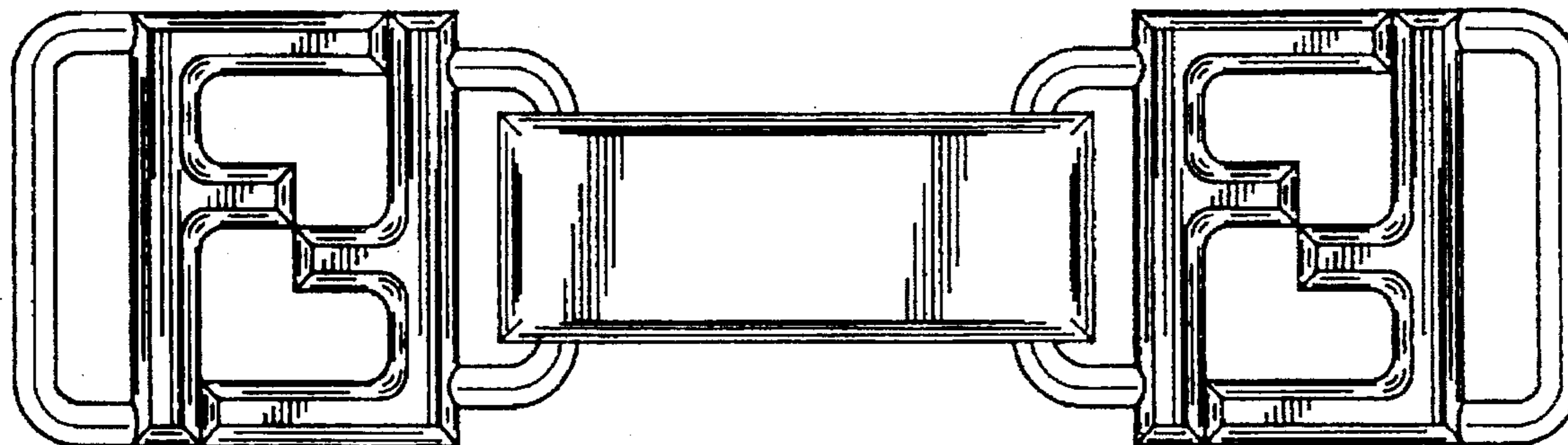
[57] **CLAIM**

The ornamental design for a clasp for purses and handbags, as shown.

**DESCRIPTION**

FIG. 1 is a top plan view of the clasp for purses and handbags embodying my new design;  
FIG. 2 is a plan view of the clasp for purses and handbags in open position;  
FIG. 3 is an exploded view of the clasp for purses and handbags in open position;  
FIG. 4 is a bottom view of the clasp for purses and handbags in closed position;  
FIG. 5 is a front view; and,  
FIG. 6 is a top perspective view.

**1 Claim, 3 Drawing Sheets**



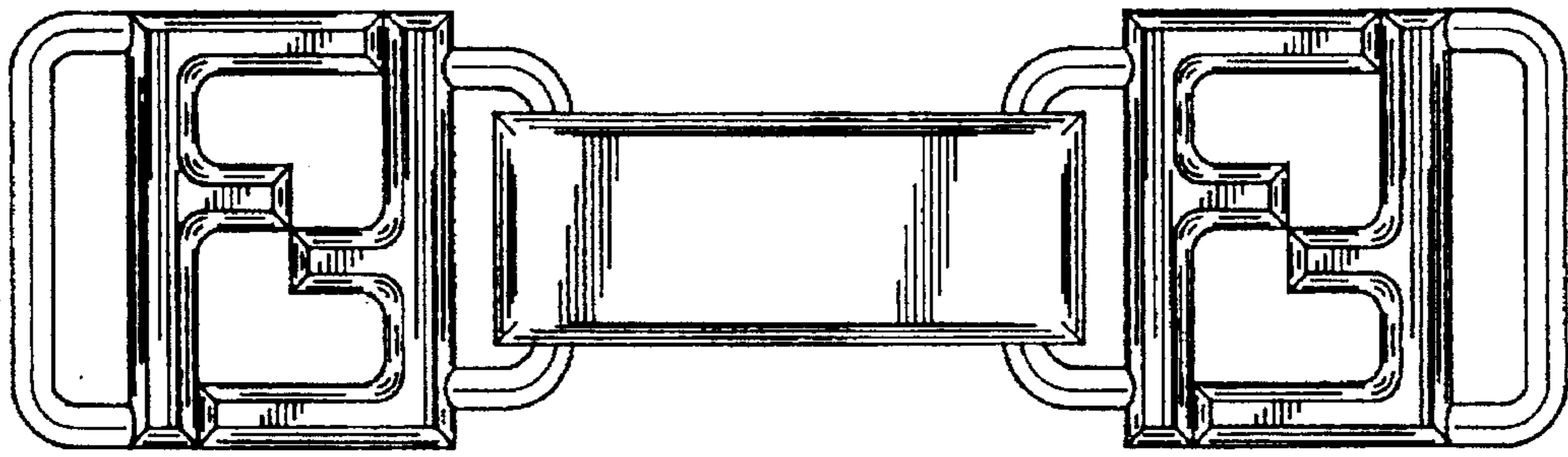


FIG. 1

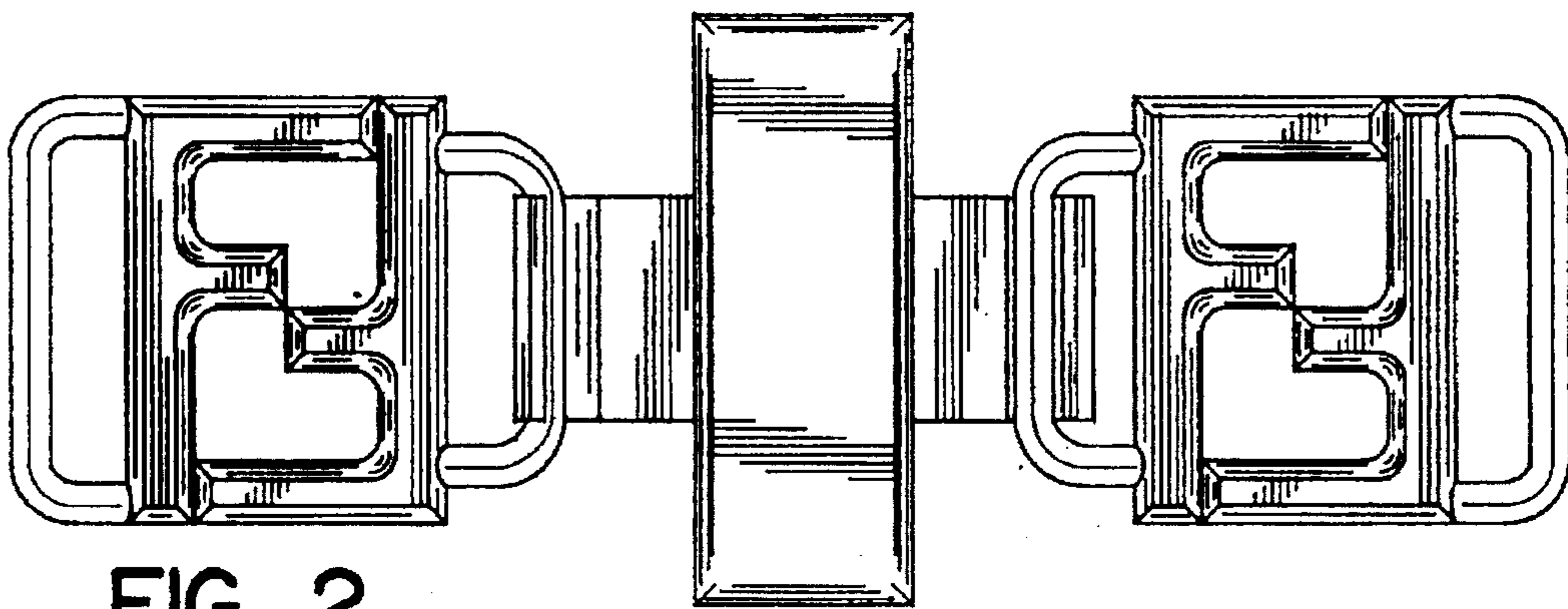


FIG. 2

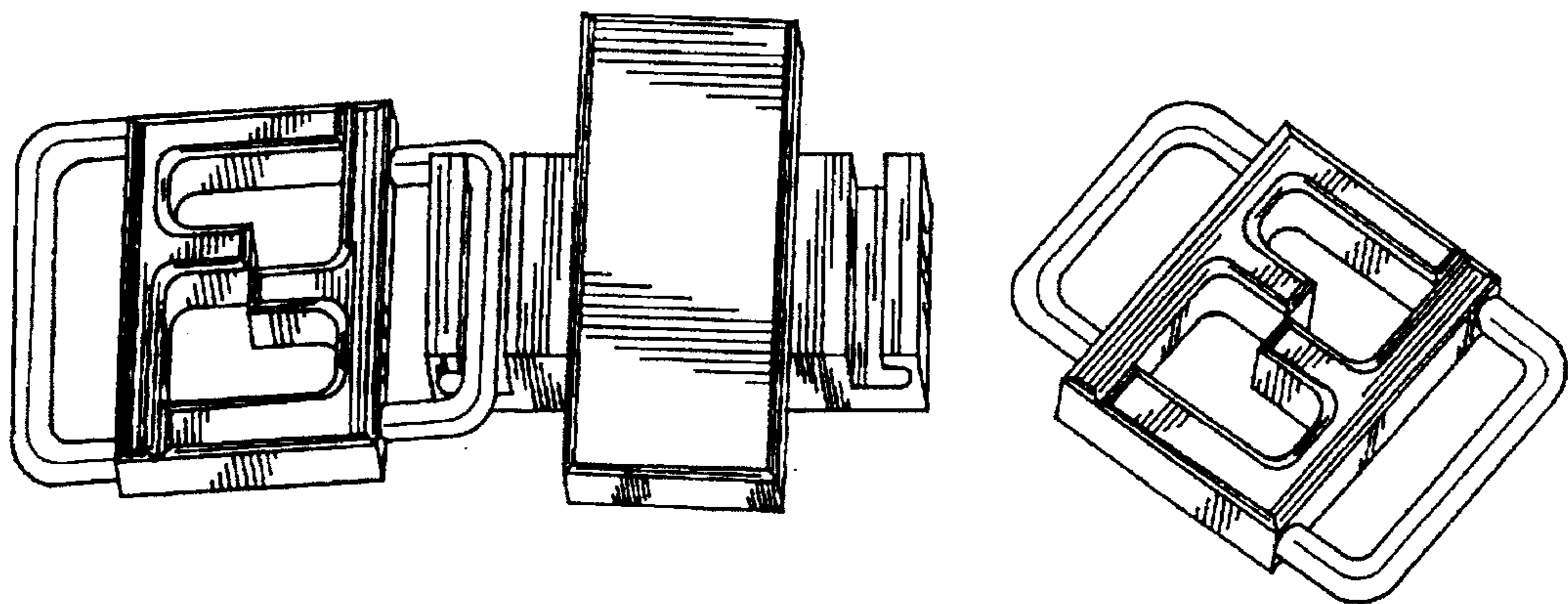


FIG. 3

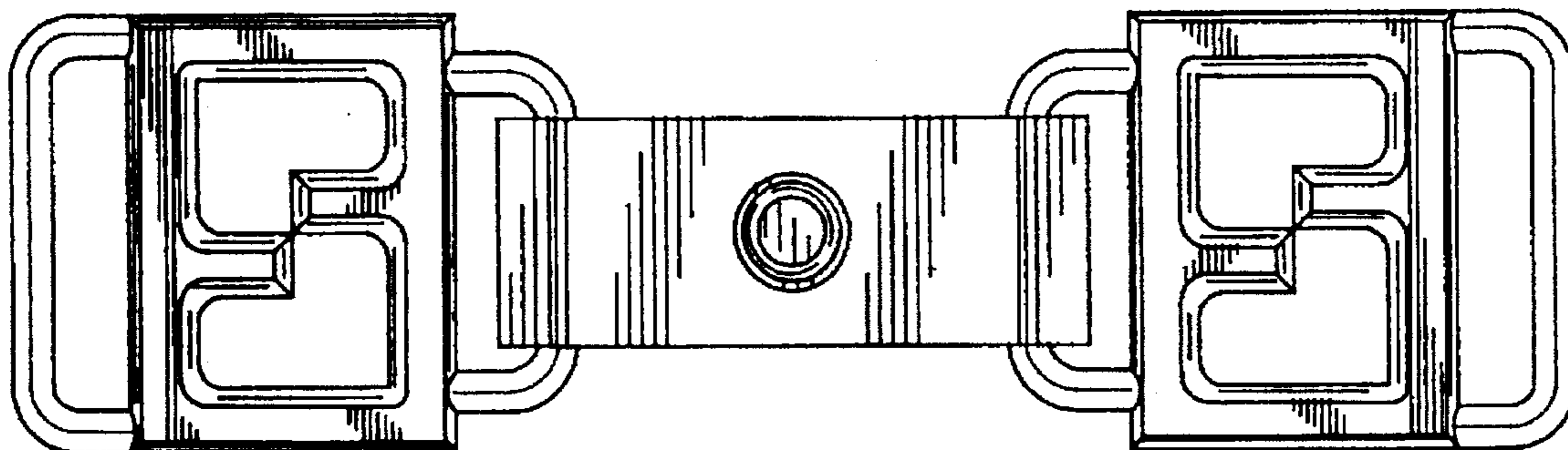


FIG. 4

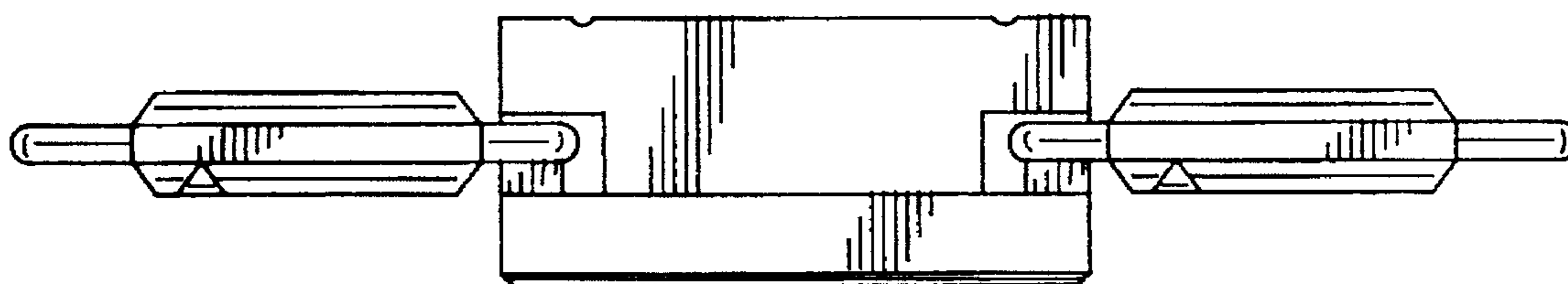


FIG. 5

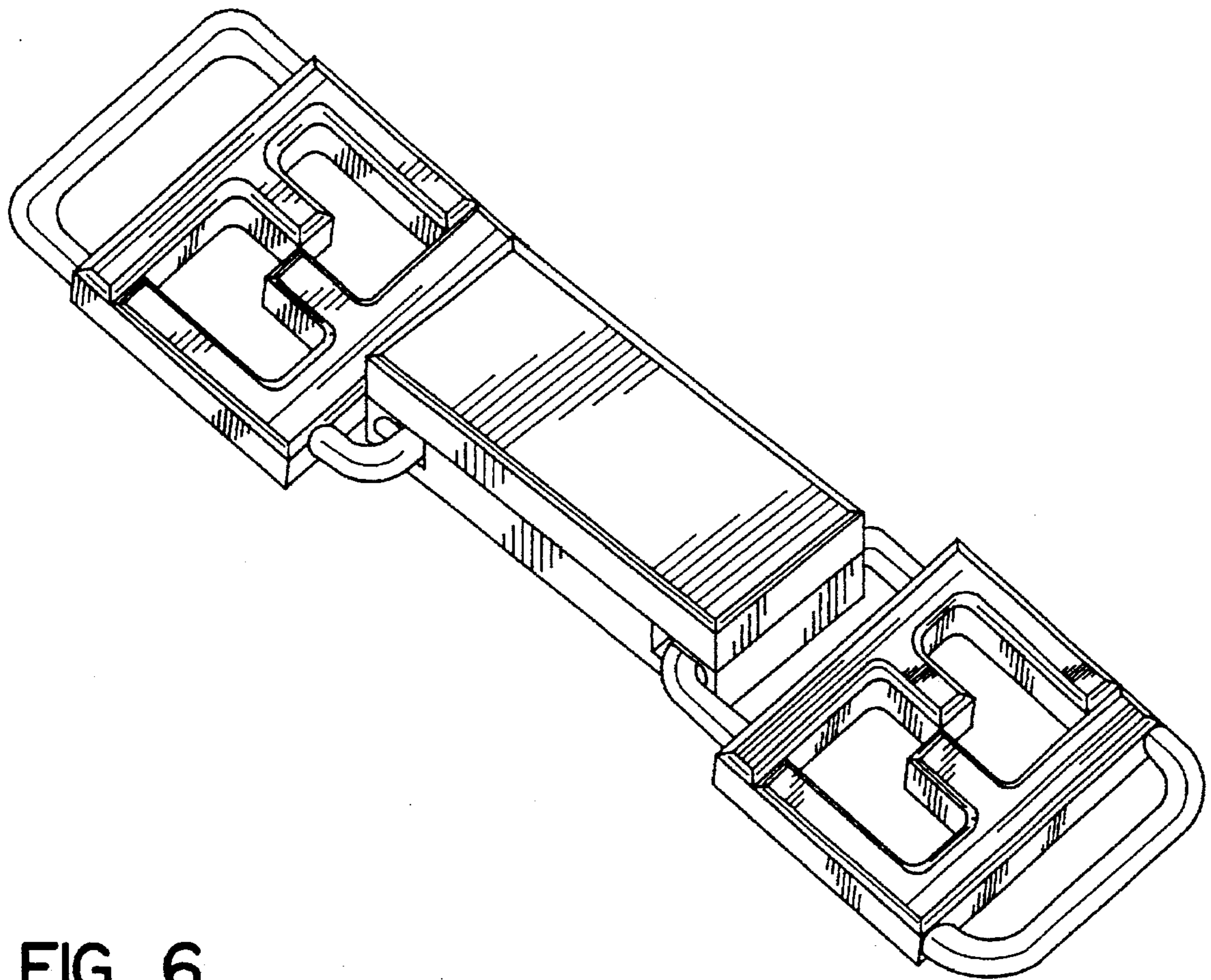


FIG. 6