



US00D382995S

United States Patent [19] Hale

[11] Patent Number: **Des. 382,995**

[45] Date of Patent: ****Sep. 2, 1997**

[54] **ARM BAND CARRIER**

[76] Inventor: **Armand Hale**, 1925 N. 23rd St.,
Philadelphia, Pa. 19121-2024

[**] Term: **14 Years**

[21] Appl. No.: **40,780**

[22] Filed: **Jun. 27, 1995**

[51] LOC (6) Cl. **03-01**

[52] U.S. Cl. **D3/215**

[58] Field of Search D3/215, 224, 226,
D3/229, 218; 224/148, 219, 222, 267, 240,
250, 253; D6/553, 512, 567

[56] **References Cited**

U.S. PATENT DOCUMENTS

D. 320,714	10/1991	Singley	D3/218 X
D. 342,740	12/1993	Parker	D14/218
D. 346,085	4/1994	Wagner	D3/218 X
D. 355,302	2/1995	Eva et al.	D3/218 X
D. 368,095	3/1996	McCallister, III	D3/218 X
4,136,805	1/1979	Storms	224/219
4,500,019	2/1985	Curley, Jr.	224/222

4,586,506	5/1986	Nangle	224/240 X
4,746,043	5/1988	Booker	224/219
4,913,326	4/1990	Echelson	224/222
4,974,762	12/1990	Boretsky et al.	224/148
5,309,328	5/1994	Lum	224/219

Primary Examiner—Doris V. Coles
Assistant Examiner—Catherine R. Oliver
Attorney, Agent, or Firm—Panitch Schwartz Jacobs & Nadel, P.C.

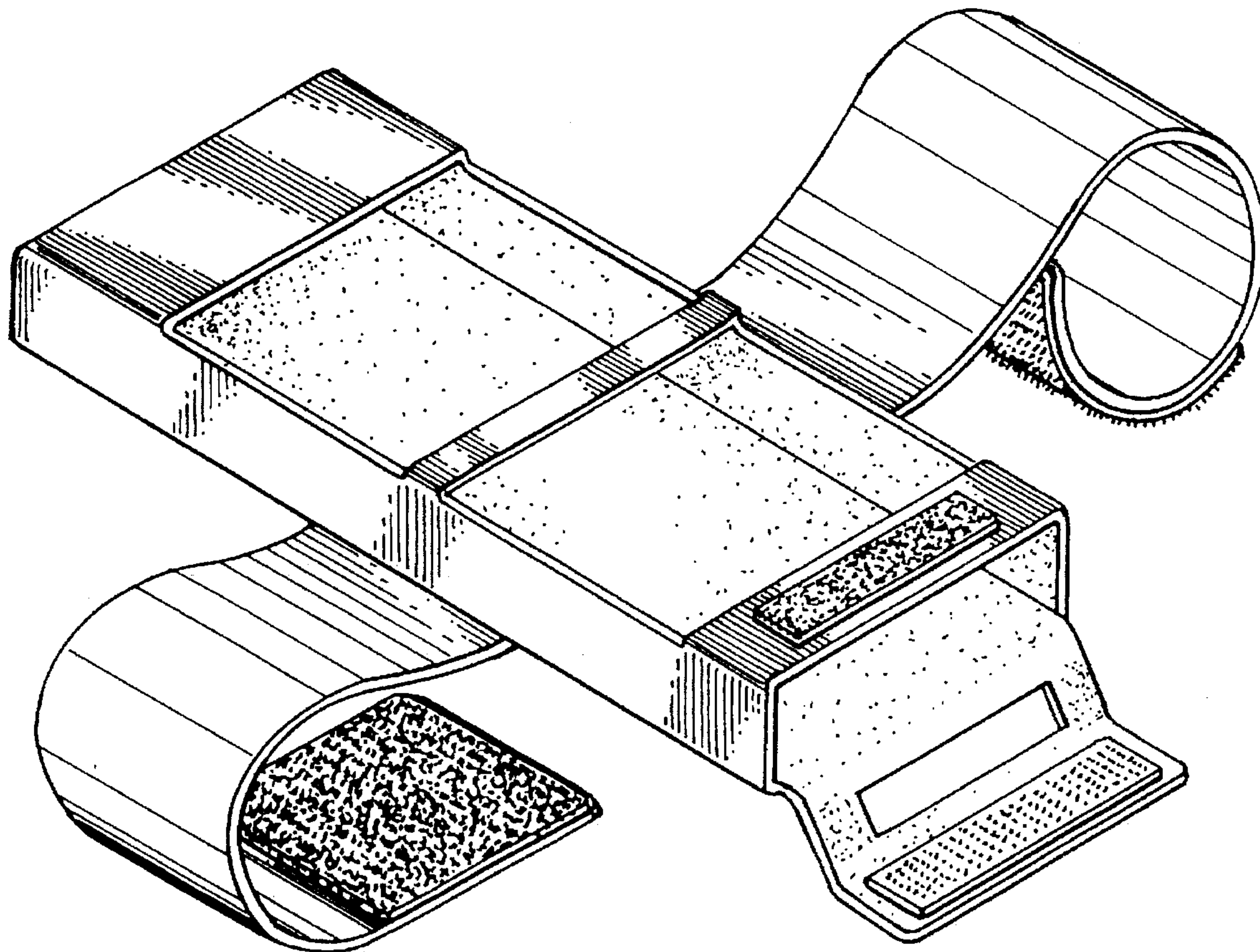
[57] **CLAIM**

The ornamental design for an arm band carrier, as shown and described.

DESCRIPTION

FIG. 1 is a front perspective view of an arm band carrier showing my new design;
FIG. 2 is a top plan view thereof;
FIG. 3 is a bottom plan view thereof;
FIG. 4 is a front elevational view thereof;
FIG. 5 is a rear elevational view thereof; and,
FIG. 6 is a right side elevational view thereof, a mirror image of which is a left side elevational view thereof.

1 Claim, 2 Drawing Sheets



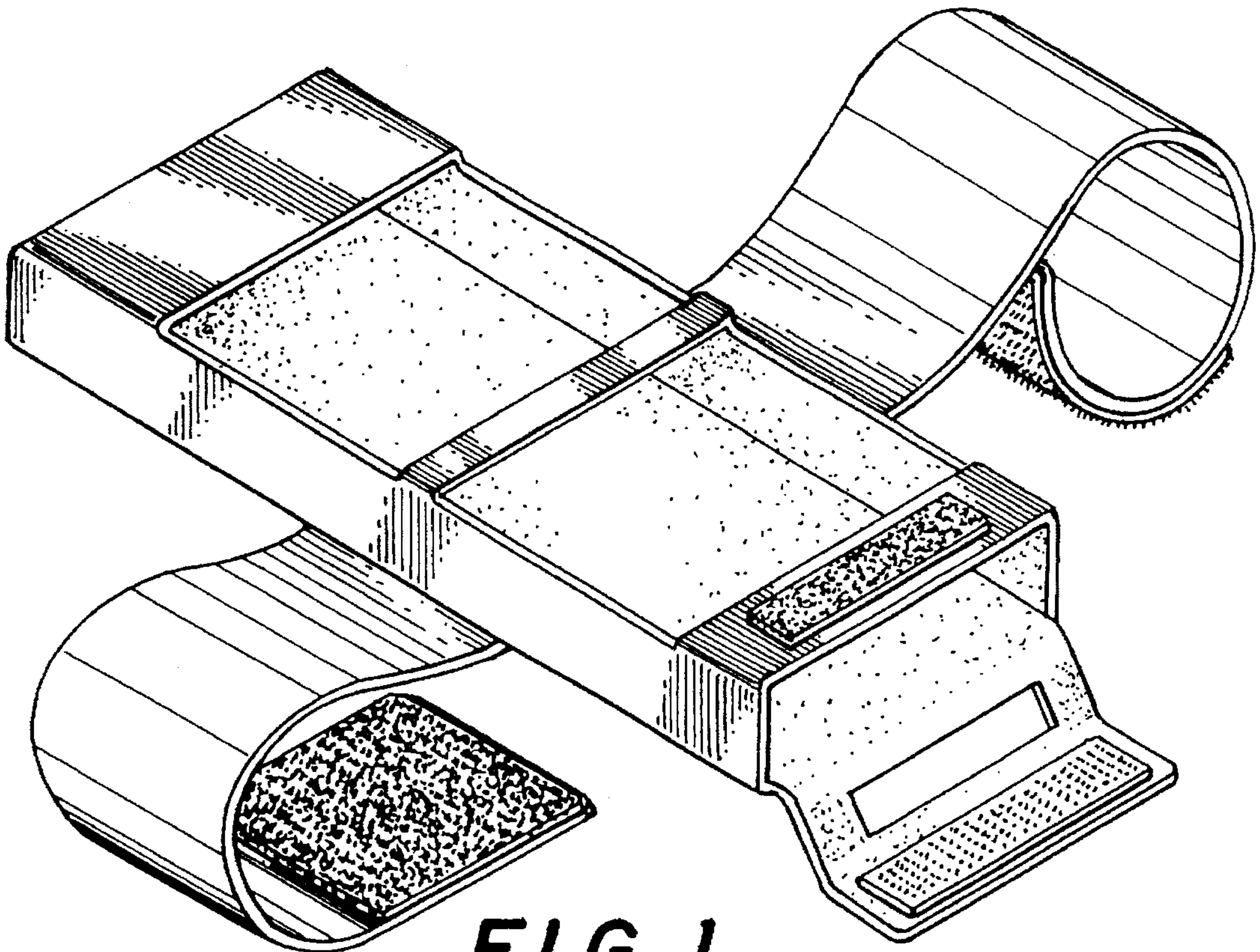


FIG. 1

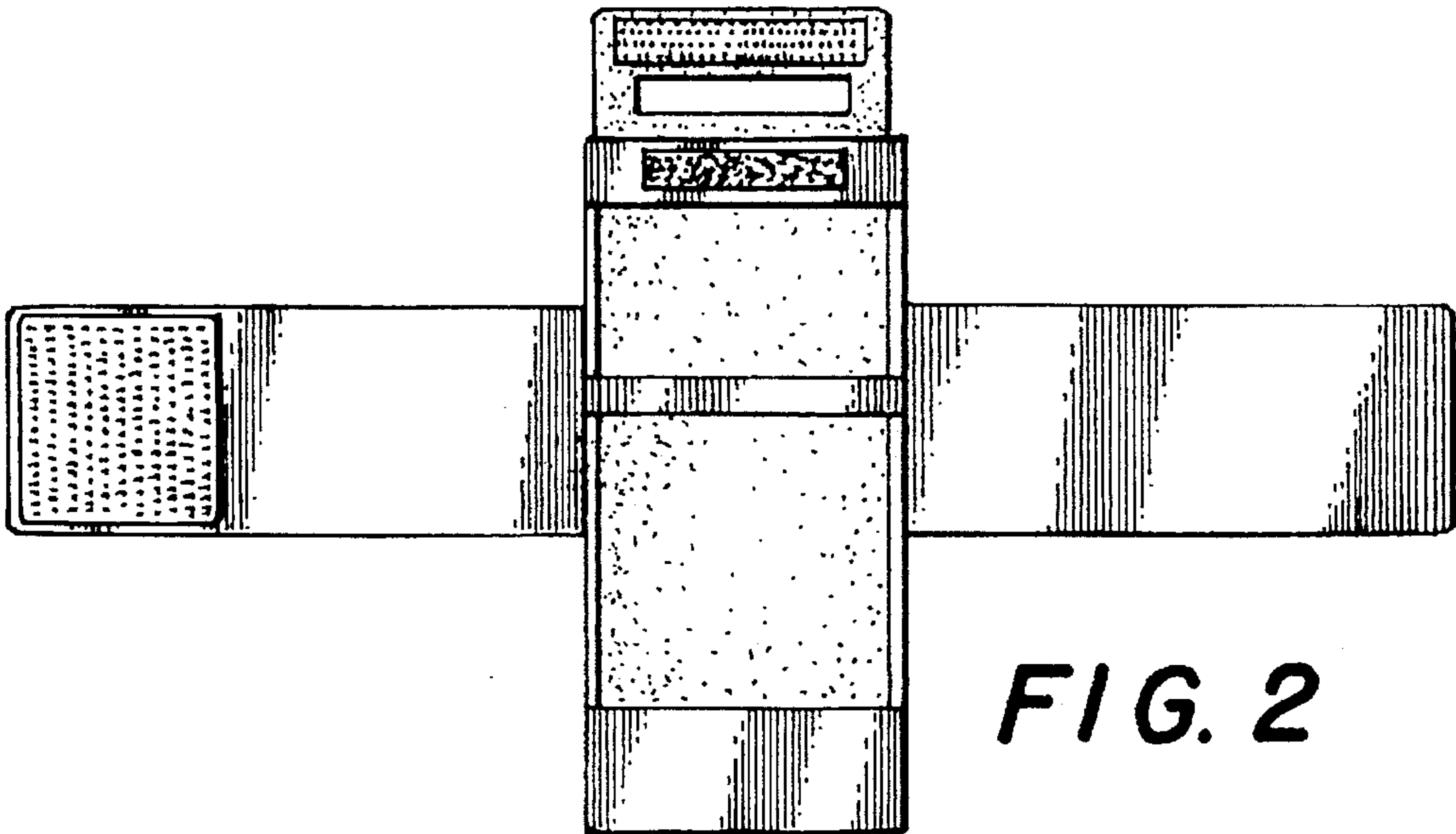


FIG. 2

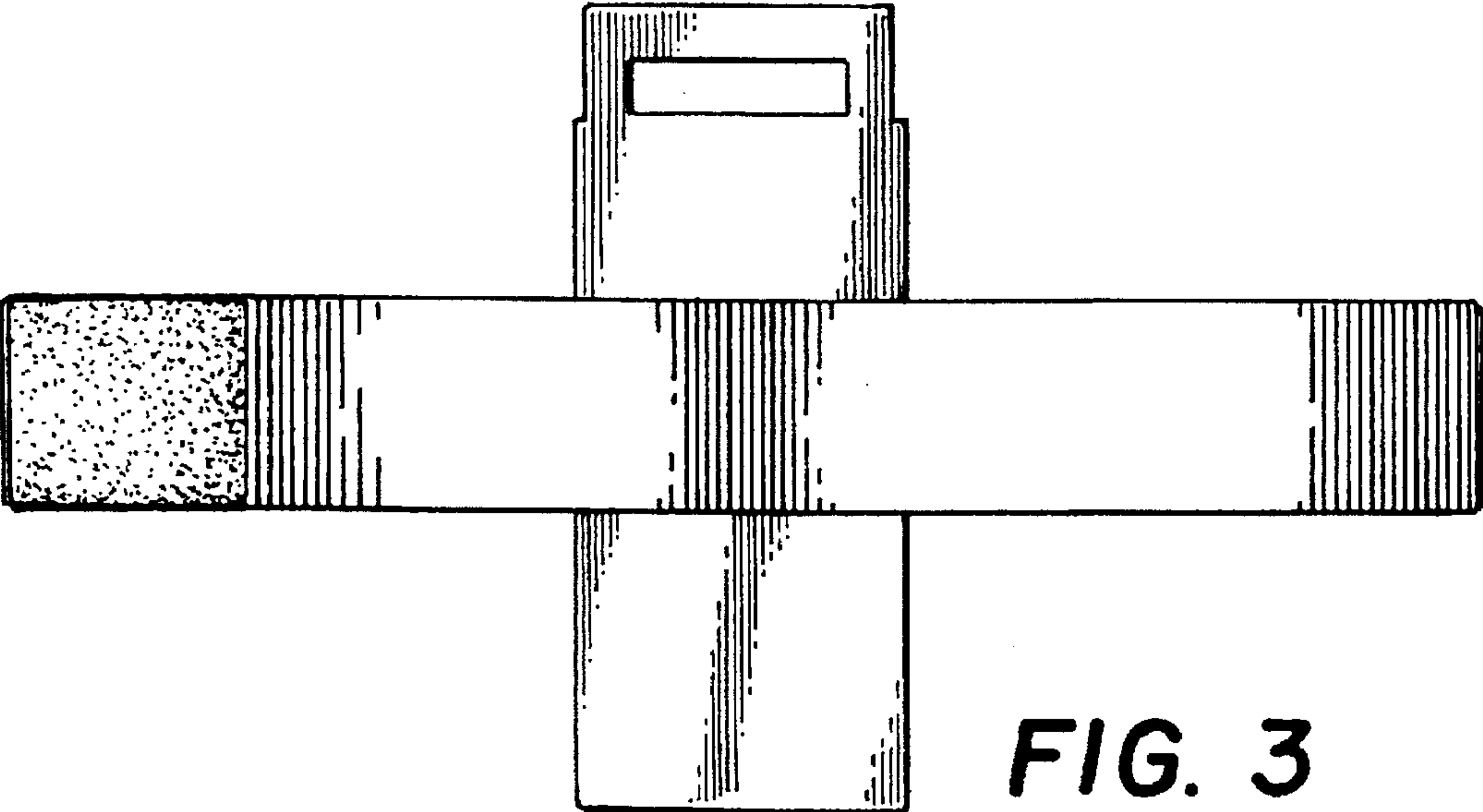


FIG. 3

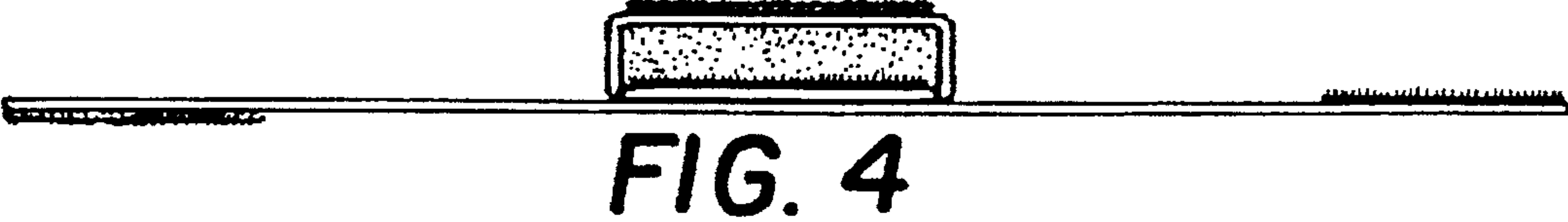


FIG. 4

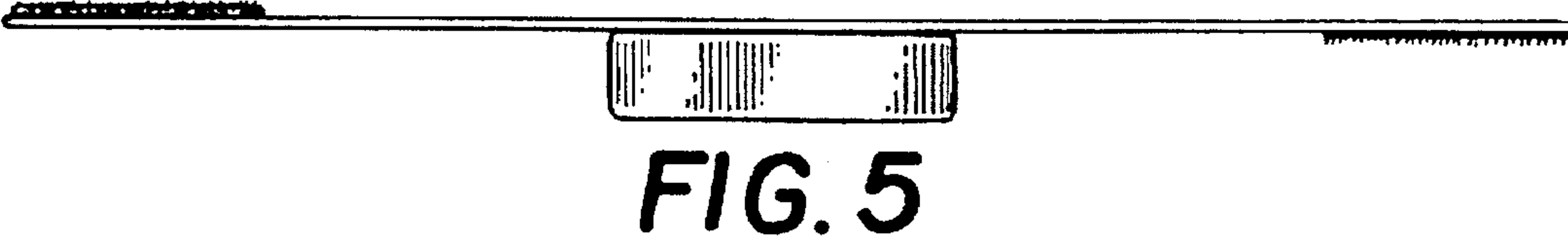


FIG. 5



FIG. 6