

US00D382987S

# United States Patent [19]

Johnson, Jr.

[11] Patent Number: **Des. 382,987**

[45] Date of Patent: **\*\*Sep. 2, 1997**

- [54] **BIB**
- [76] Inventor: **Lanell O. Johnson, Jr.**, 34025 SW.  
Ladd Hill Rd., Wilsonville, Oreg. 97070
- [\*\*] Term: **14 Years**
- [21] Appl. No.: **39,128**
- [22] Filed: **May 22, 1995**
- [51] LOC (6) Cl. .... **02-02**
- [52] U.S. Cl. .... **D2/861**
- [58] Field of Search ..... D2/861, 862, 863,  
D2/864; 2/49.1, 49.2, 49.3; 224/197, 265,  
270

- 4,860,381 8/1989 Bartley ..... 224/270 X
- 5,062,558 11/1991 Stang ..... 224/270
- 5,421,499 6/1995 Bauer ..... 224/270

*Primary Examiner*—Doris V. Coles  
*Assistant Examiner*—Catherine R. Oliver  
*Attorney, Agent, or Firm*—Harold H. Dutton, Jr.; Diane F. Liebman

## [57] CLAIM

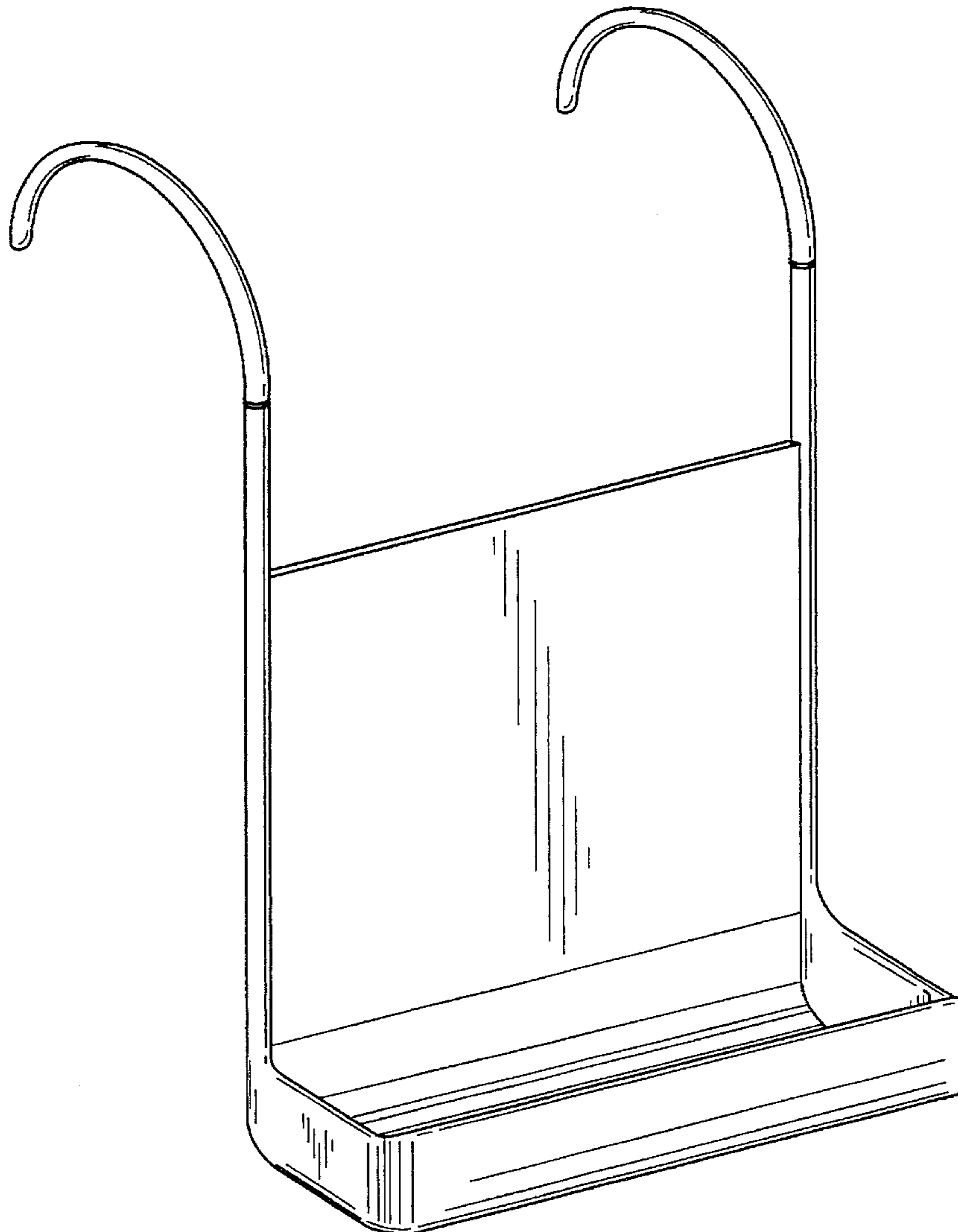
The ornamental design for a bib, as shown.

## DESCRIPTION

FIG. 1 is a front perspective view of a bib showing my new design;  
 FIG. 2 is a rear elevational view, with the right support member rotated 90 degrees;  
 FIG. 3 is a left side elevational view;  
 FIG. 4 is a right side elevational view;  
 FIG. 5 is a top plan view; and,  
 FIG. 6 is a bottom plan view.

- [56] **References Cited**
- U.S. PATENT DOCUMENTS
- D. 152,879 3/1949 Grassi ..... D2/864
- 2,289,945 7/1942 Wadsack ..... 224/197
- 2,510,646 6/1950 Meers ..... 224/265
- 3,009,613 11/1961 Noland ..... 224/270 X
- 3,407,407 10/1968 Hollander et al. .... D2/864 X

**1 Claim, 4 Drawing Sheets**



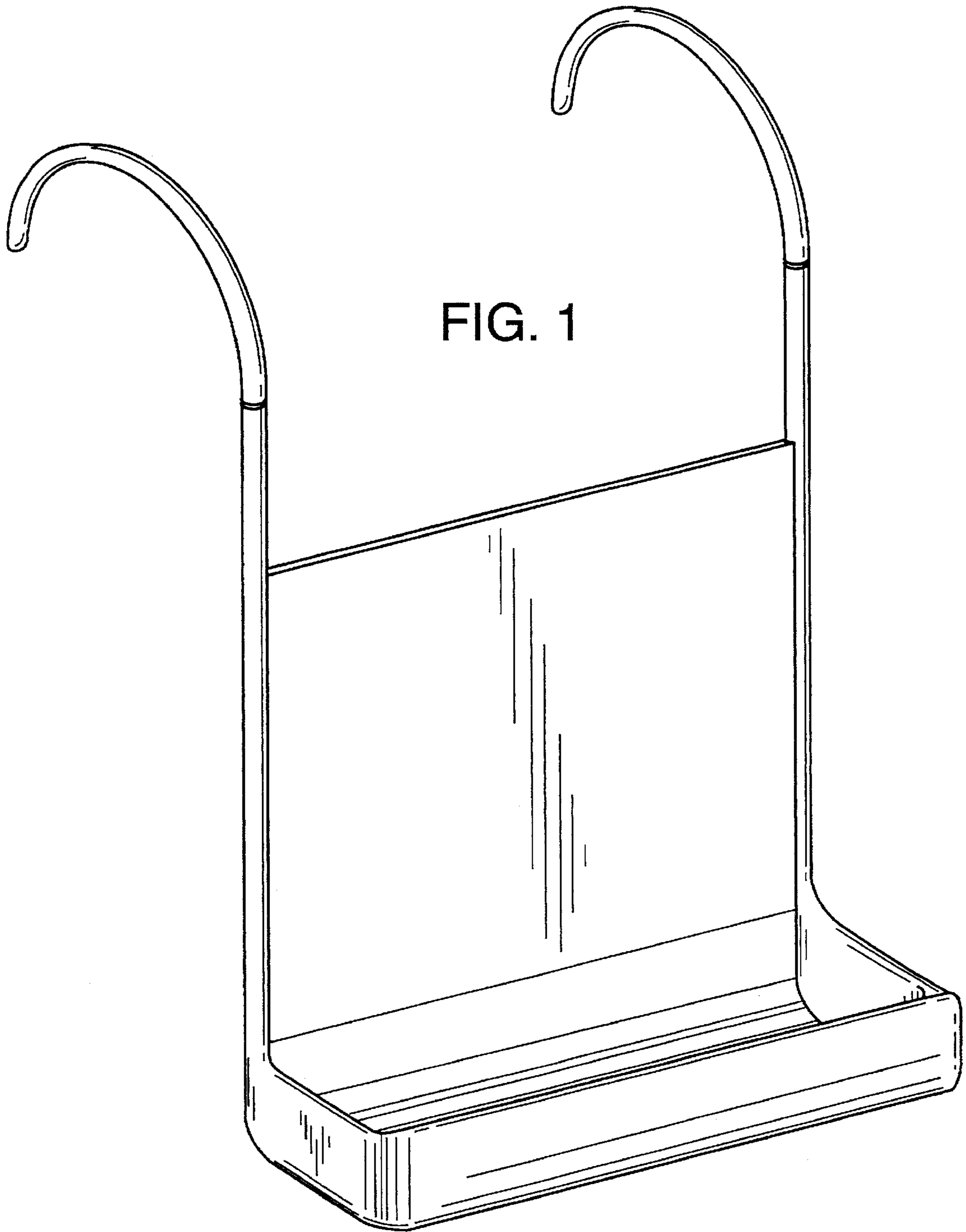
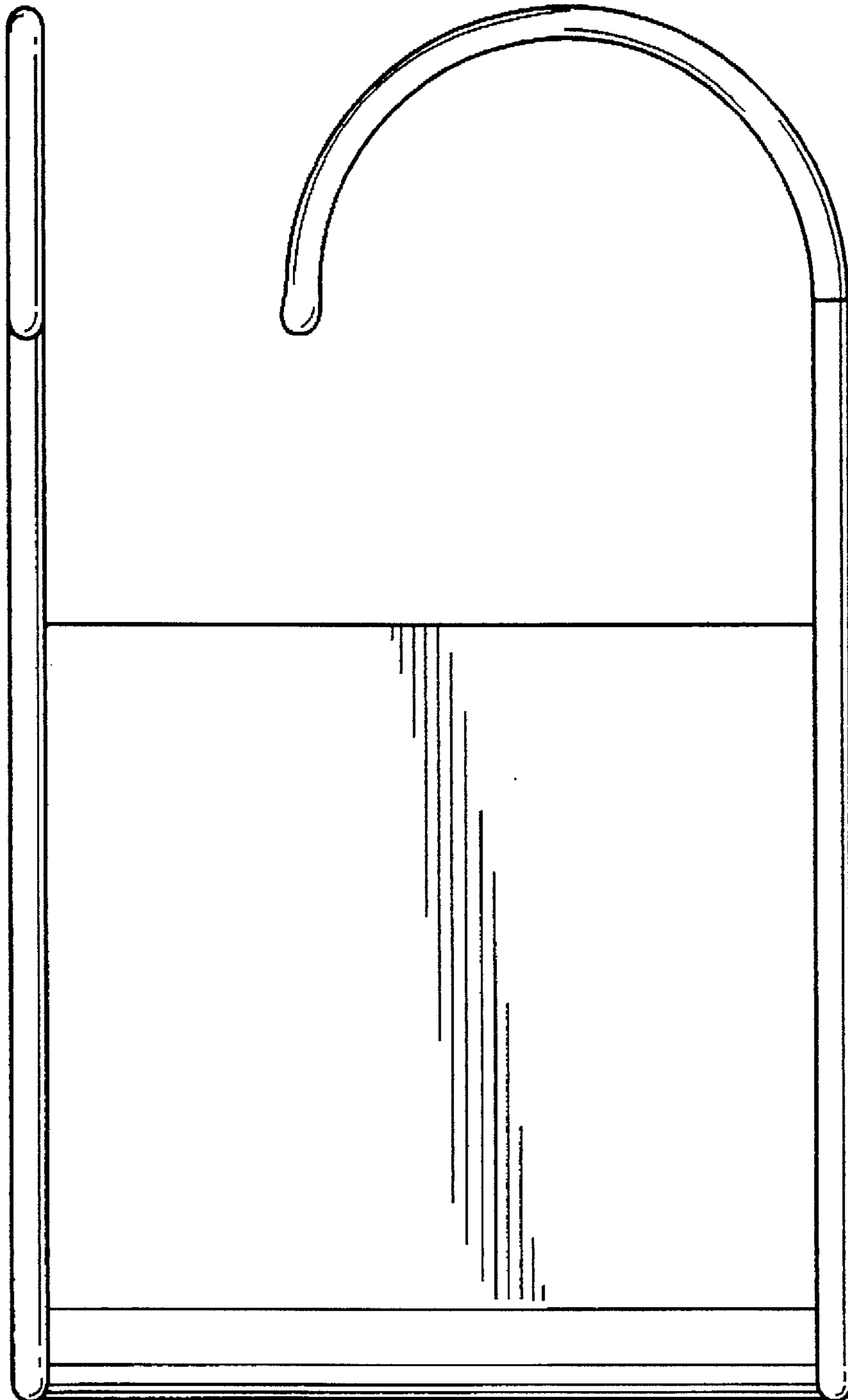


FIG. 2



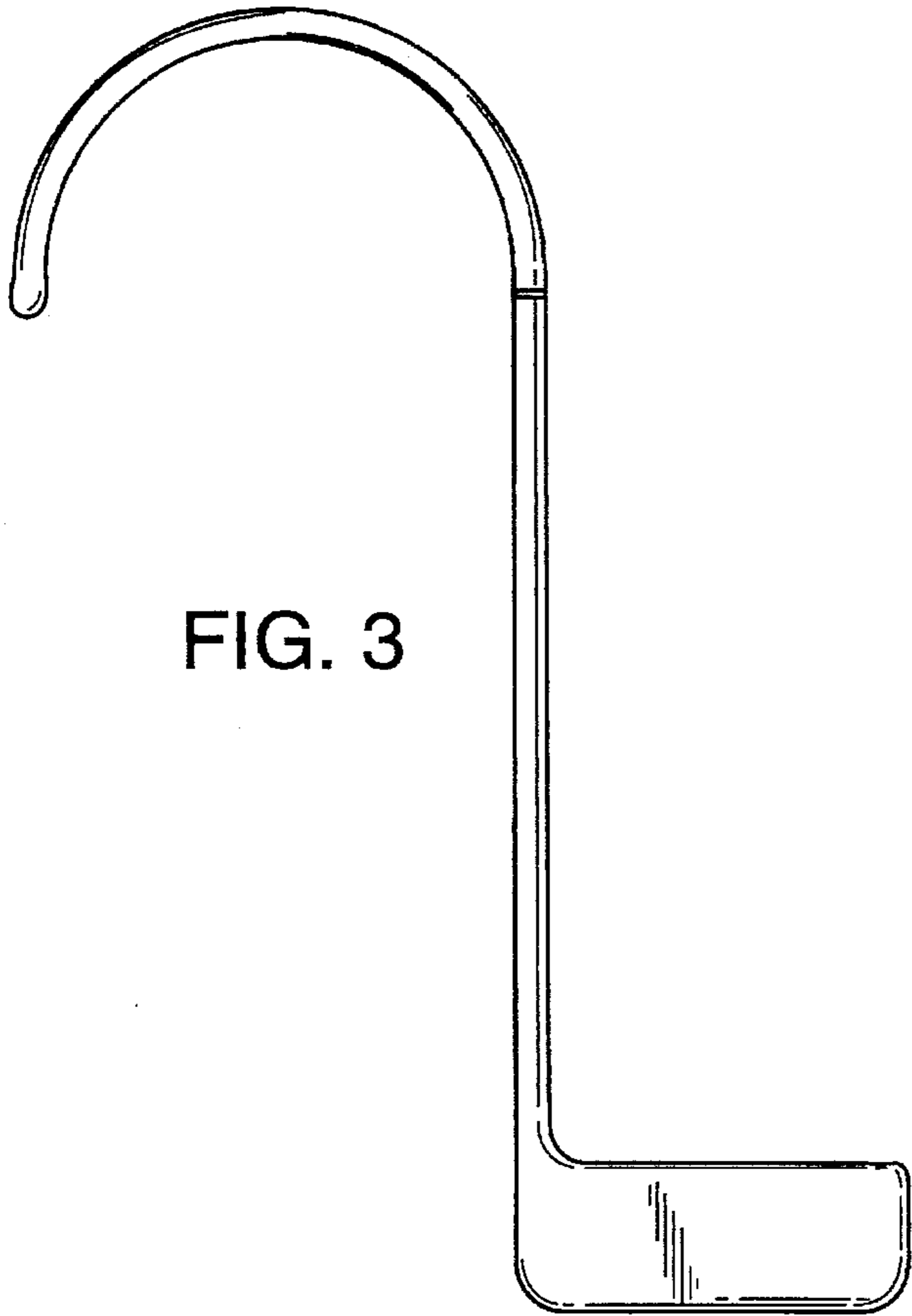


FIG. 3

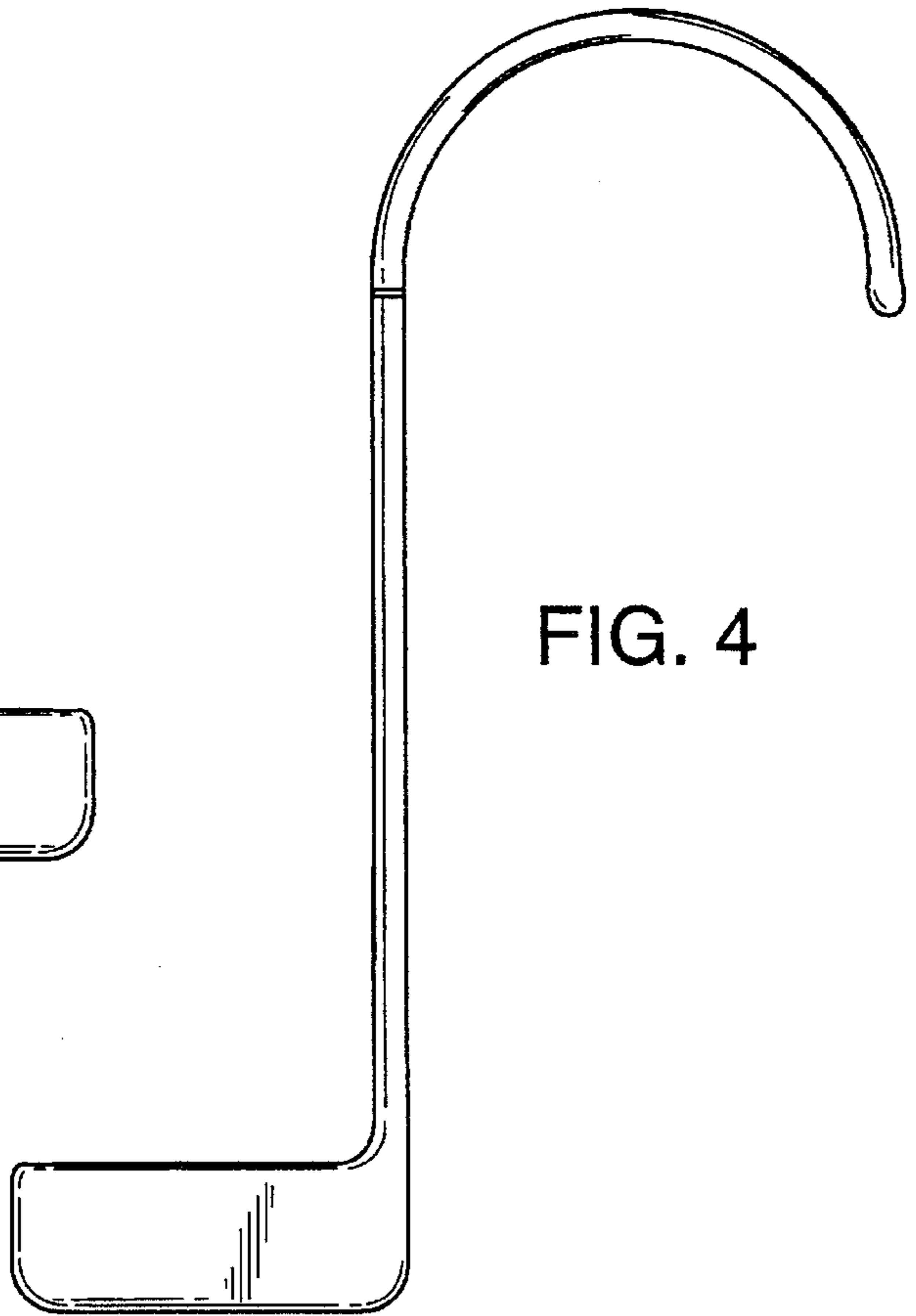


FIG. 4

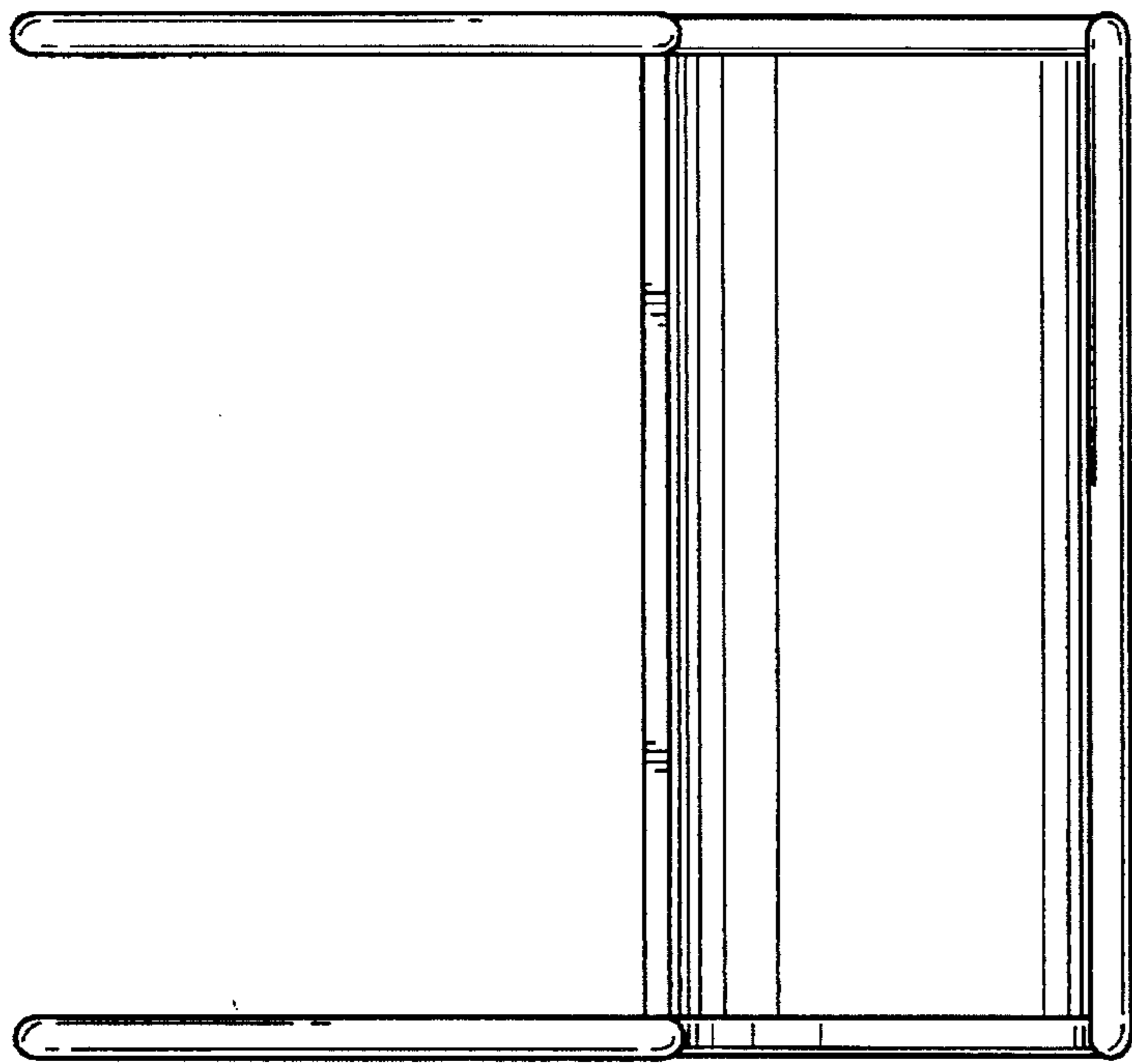


FIG. 5

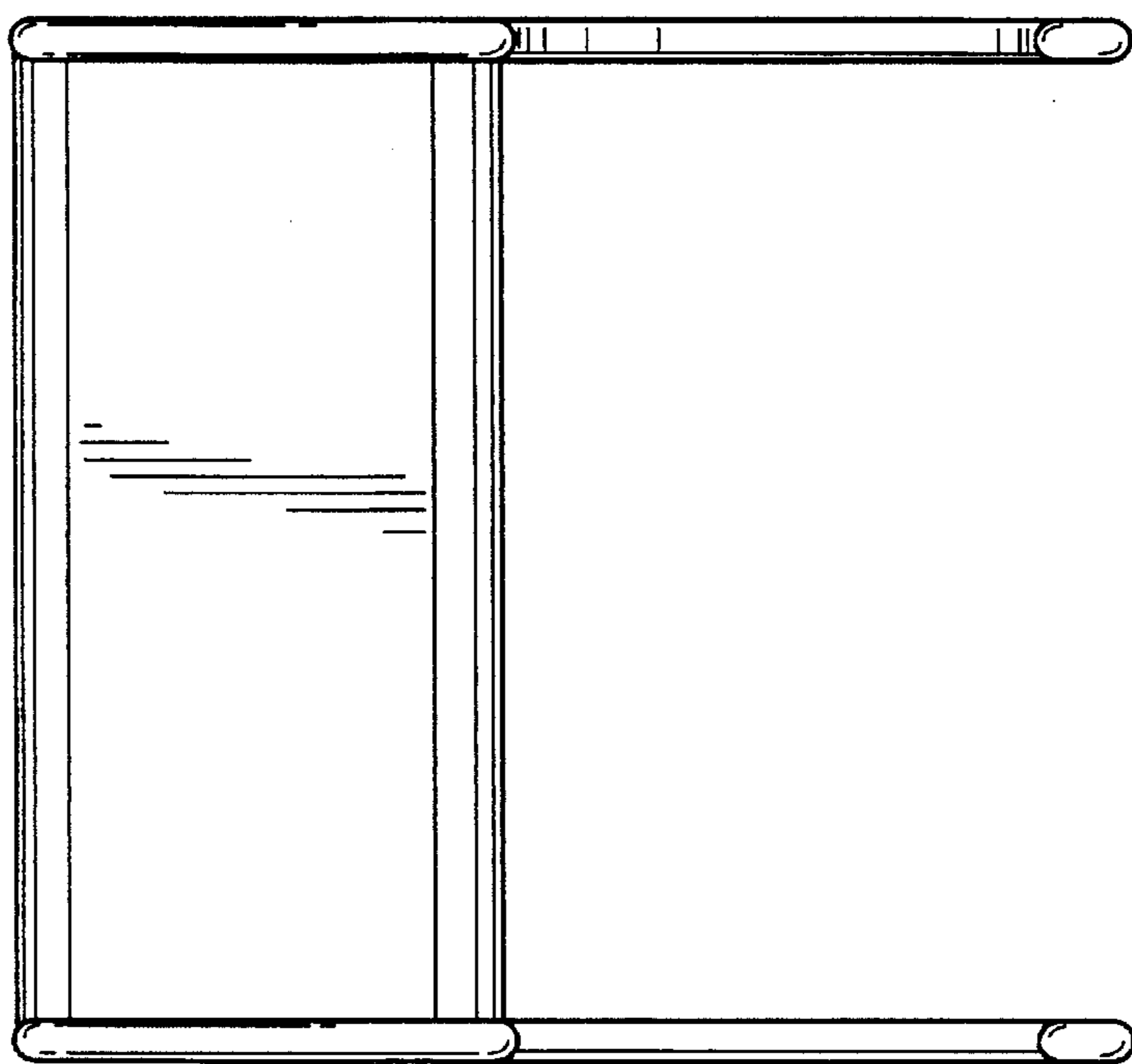


FIG. 6