



US00D382984S

United States Patent [19] Junell

[11] Patent Number: **Des. 382,984**
[45] Date of Patent: ****Aug. 26, 1997**

[54] **END CAP FOR A RAILING SYSTEM**

2,999,671 9/1961 Blyden 256/65

[76] Inventor: **Jack S. Junell**, 10014 64th Pl. West,
Mukilteo, Wash. 98275

Primary Examiner—Doris Clark
Attorney, Agent, or Firm—Todd N. Hathaway

[**] Term: **14 Years**

[57] **CLAIM**

[21] Appl. No.: **54,980**

The ornamental design for an end cap for a railing system,
as shown and described.

[22] Filed: **May 28, 1996**

DESCRIPTION

[51] LOC (6) Cl. **25-01**

FIG. 1 is a front, perspective view of an end cap showing my
new design;

[52] U.S. Cl. **D25/135**

FIG. 2 is a front, elevational view thereof;

[58] Field of Search D25/135; 256/11,
256/65; 52/300

FIG. 3 is a top plan view thereof;

FIG. 4 is a bottom plan view thereof;

[56] **References Cited**

FIG. 5 is a first side elevational view thereof, the second side
elevational view being mirror-image identical thereto; and,

FIG. 6 is a rear elevational view thereof.

U.S. PATENT DOCUMENTS

D. 231,780 6/1974 Hallock D25/135
2,873,095 2/1959 Blum 256/65

1 Claim, 1 Drawing Sheet

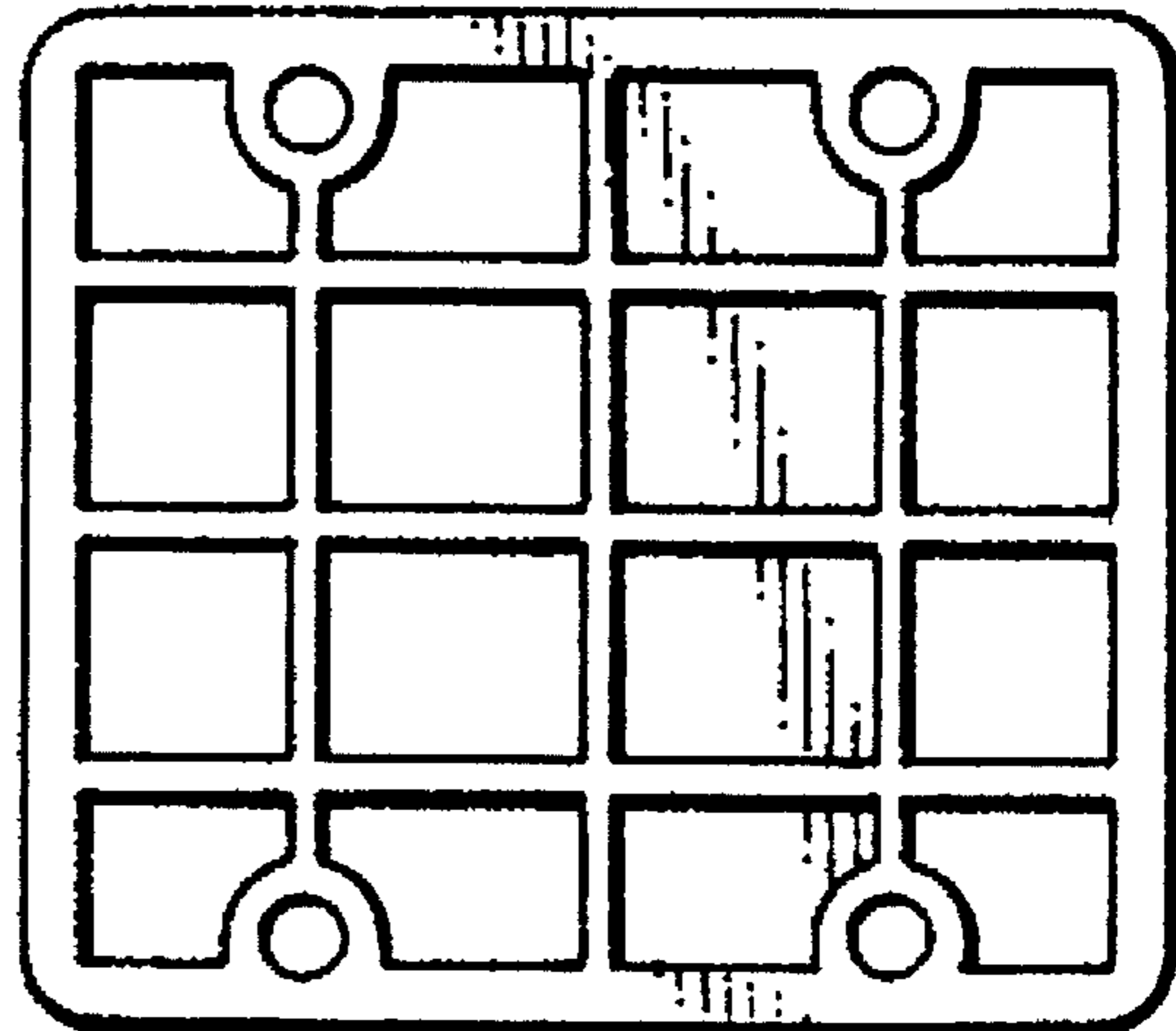
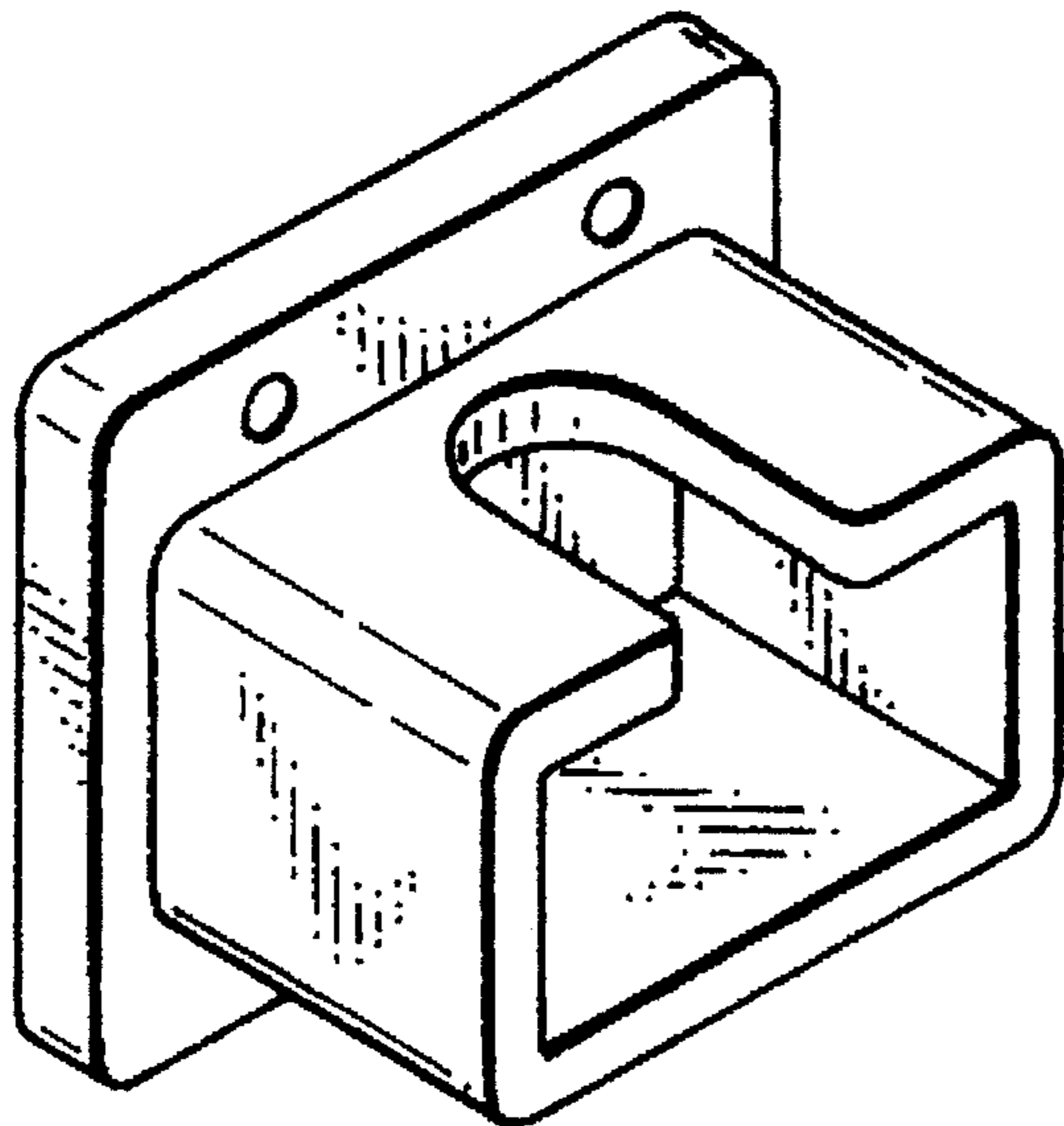


FIG. 1

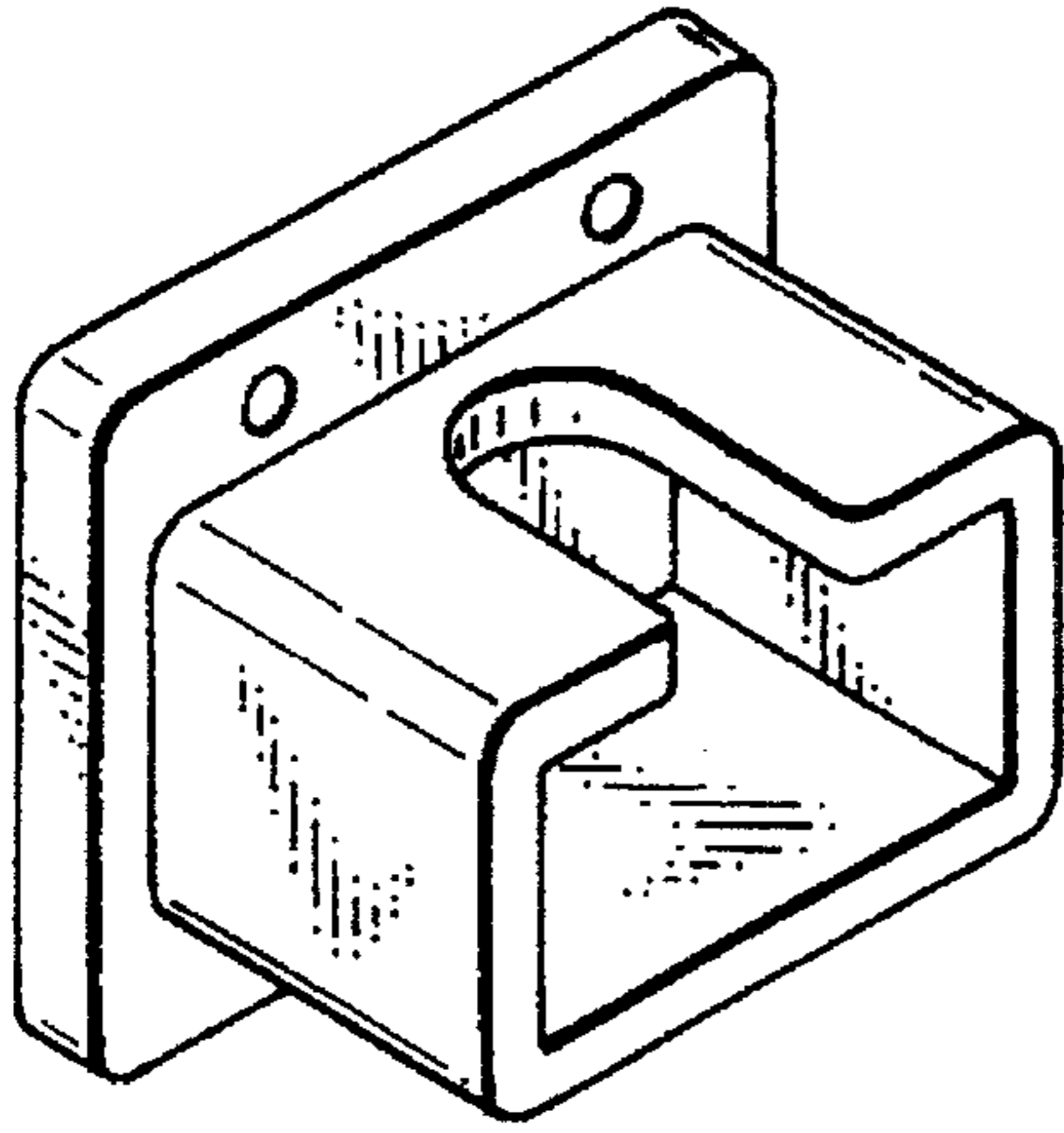


FIG. 2

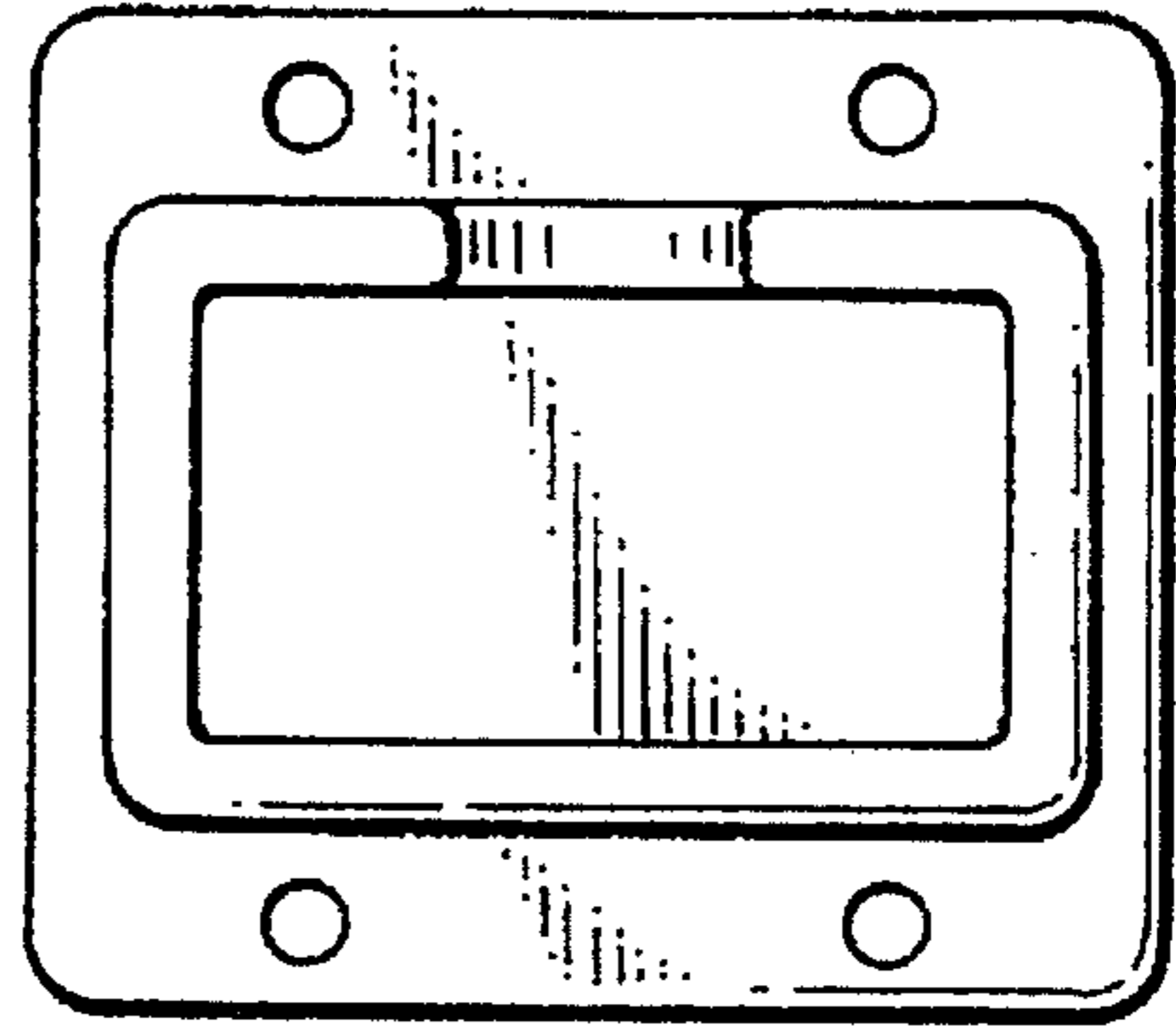


FIG. 3

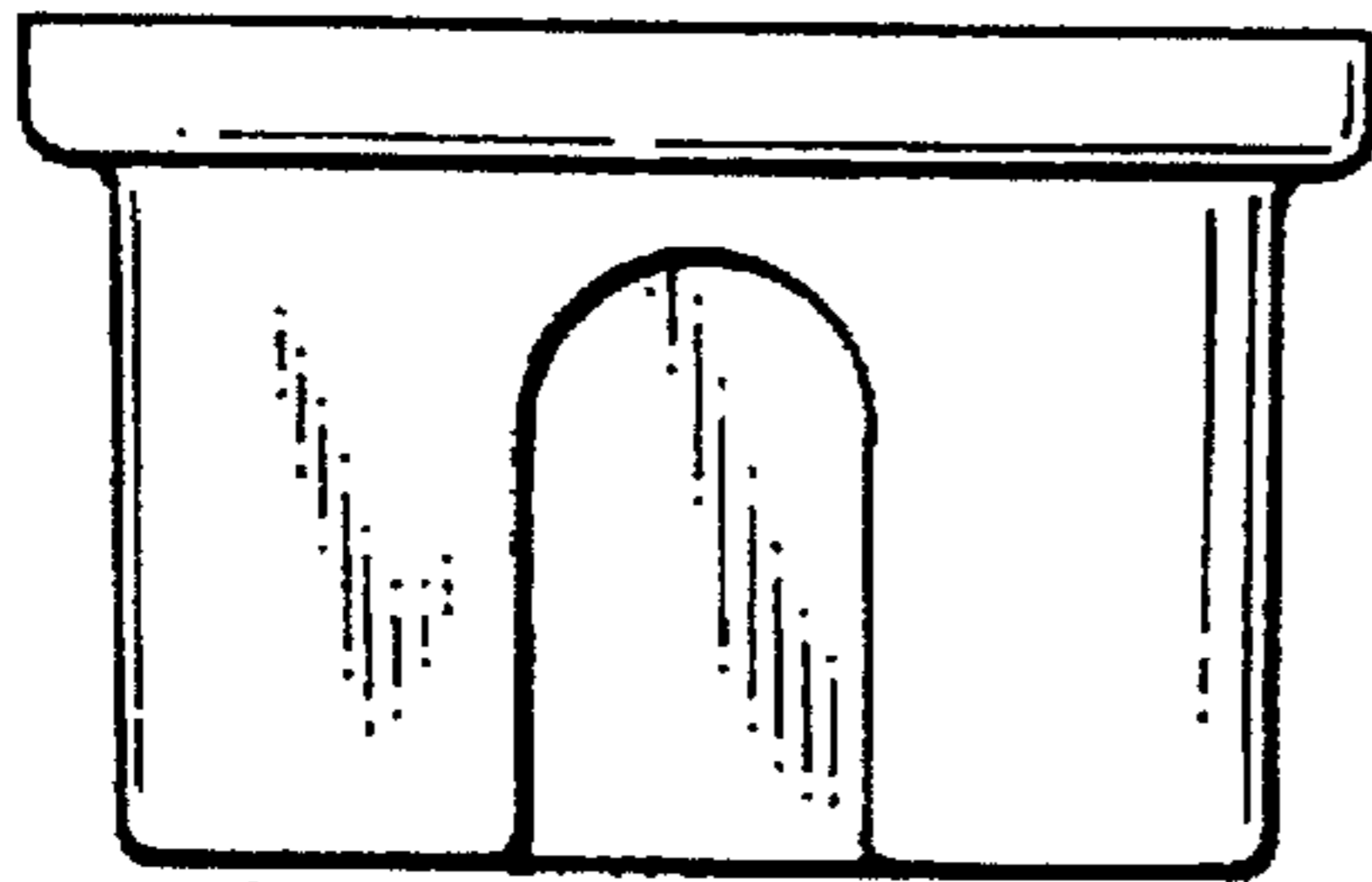


FIG. 4

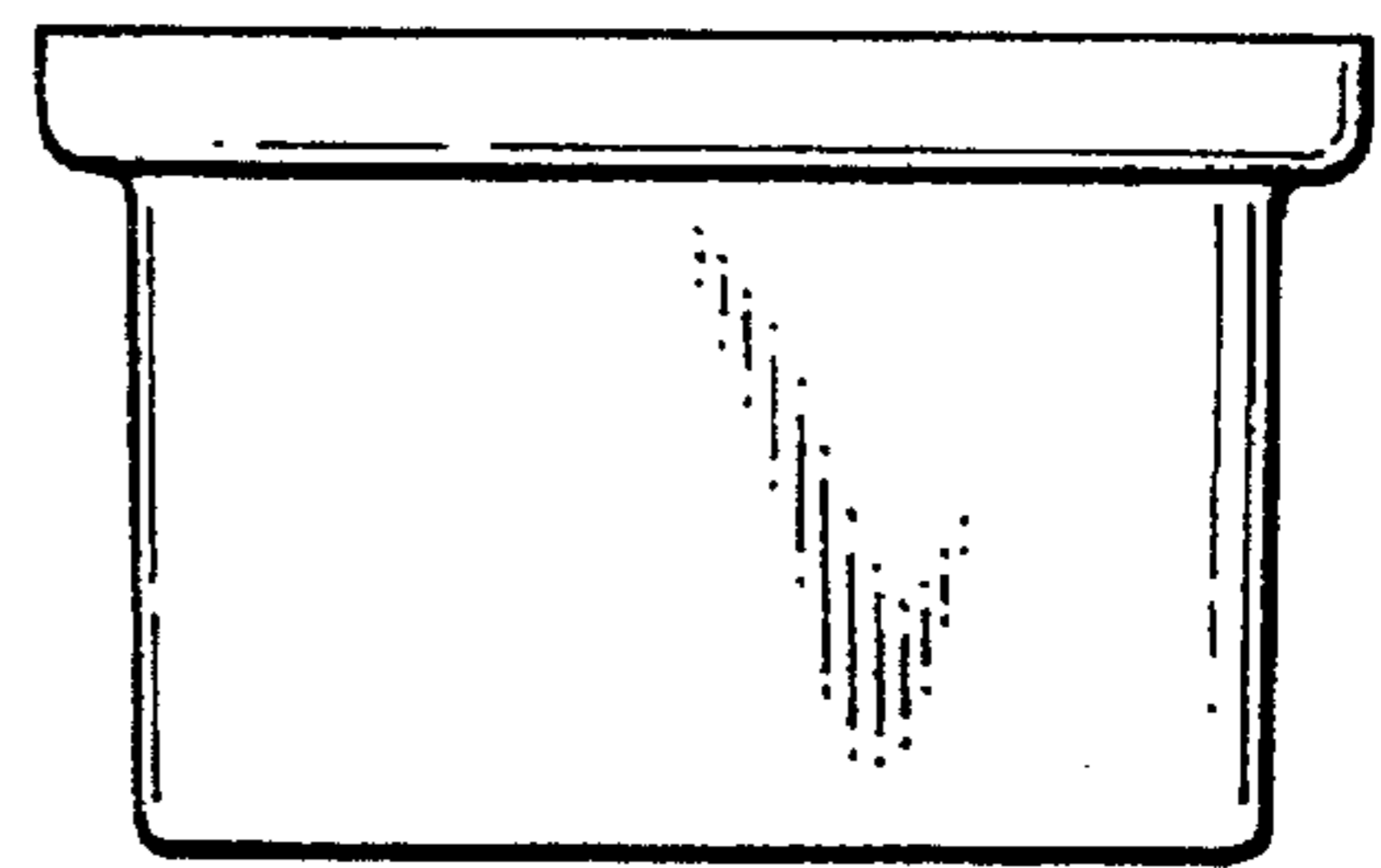


FIG. 5

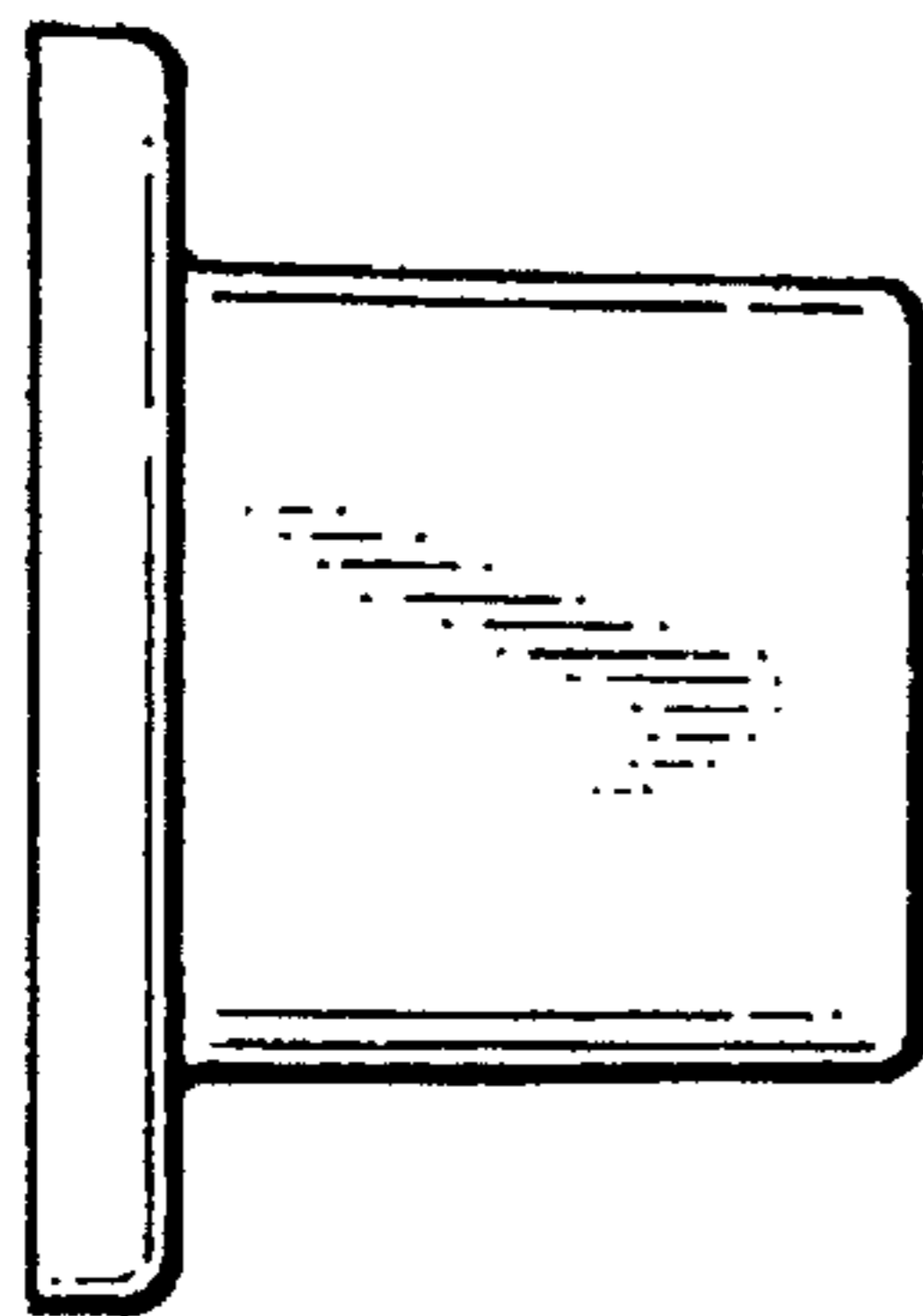


FIG. 6

