



US00D382982S

United States Patent [19]
DiGiorgio

[11] **Patent Number:** **Des. 382,982**
[45] **Date of Patent:** ****Aug. 26, 1997**

[54] **FRAME COMPONENT**

Primary Examiner—Doris Clark

[75] Inventor: **Tony DiGiorgio**, Woodbridge, Canada

[57] **CLAIM**

[73] Assignee: **Dominion Plastics Inc.**, Woodbridge, Canada

The ornamental design for a frame component, as shown and described.

[**] Term: **14 Years**

DESCRIPTION

[21] Appl. No.: **55,957**

FIG. 1 is a perspective view from one side of the frame component; and,

[22] Filed: **Jun. 17, 1996**

FIG. 2 is a perspective view from the other side of the frame component.

[51] LOC (6) Cl. **25-01**

[52] U.S. Cl. **D25/124**

[58] Field of Search **D25/60, 52, 124;**
52/204.5; 49/501, 504, DIG. 2

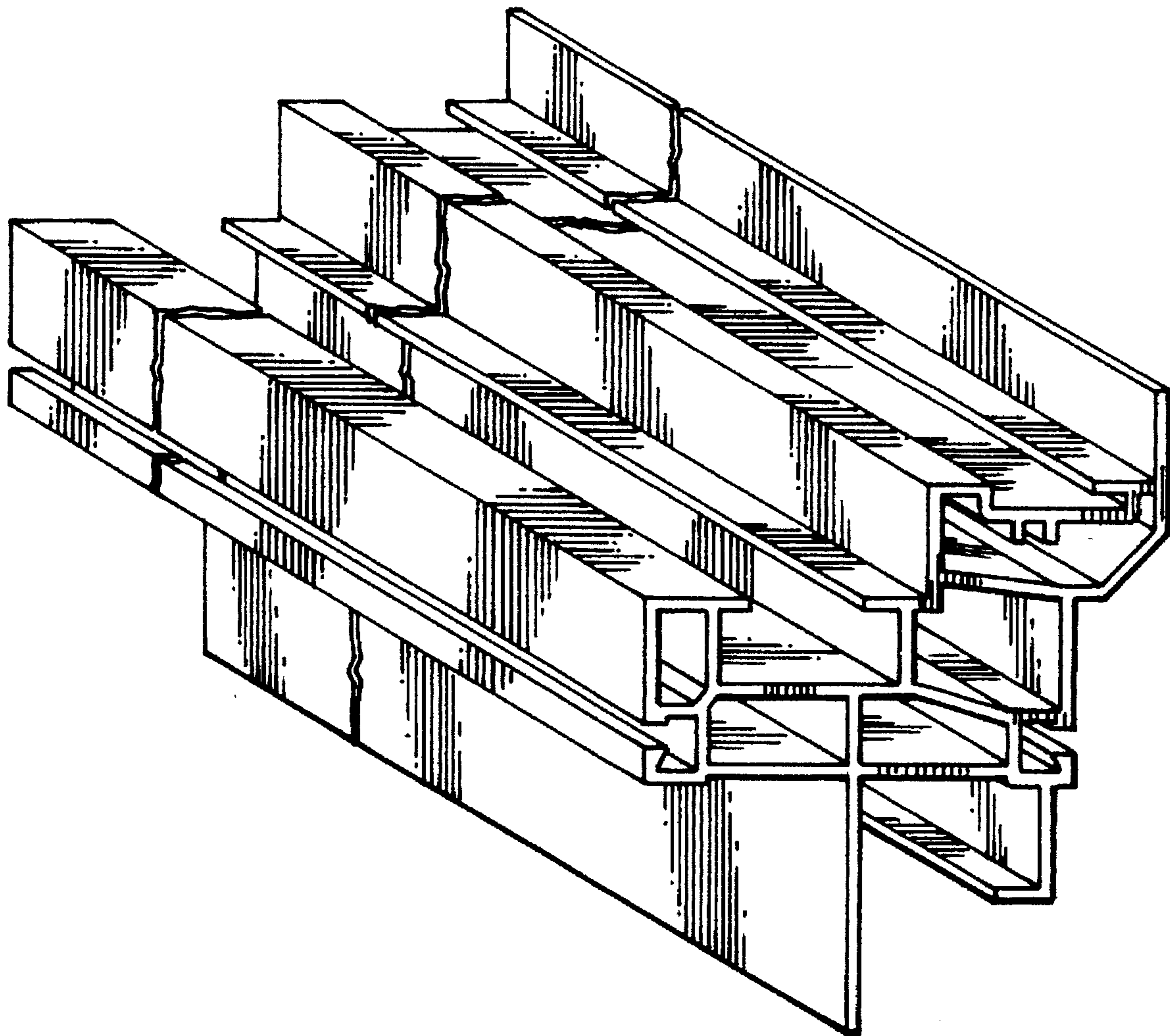
The frame component is broken away on the end to indicate indeterminate length.

[56] **References Cited**

U.S. PATENT DOCUMENTS

D. 339,644 9/1993 Cole **D25/124**

1 Claim, 1 Drawing Sheet



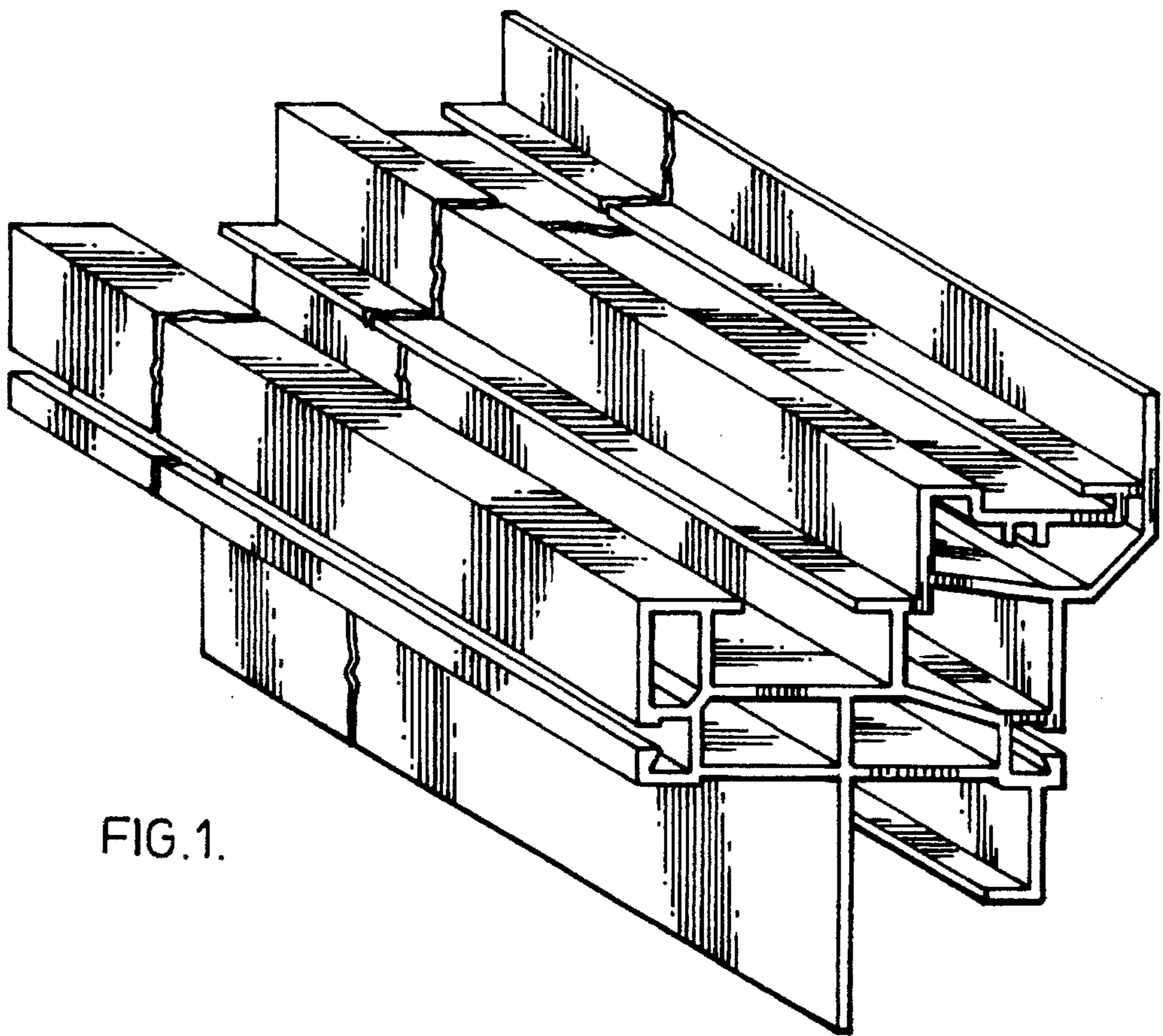


FIG. 1.

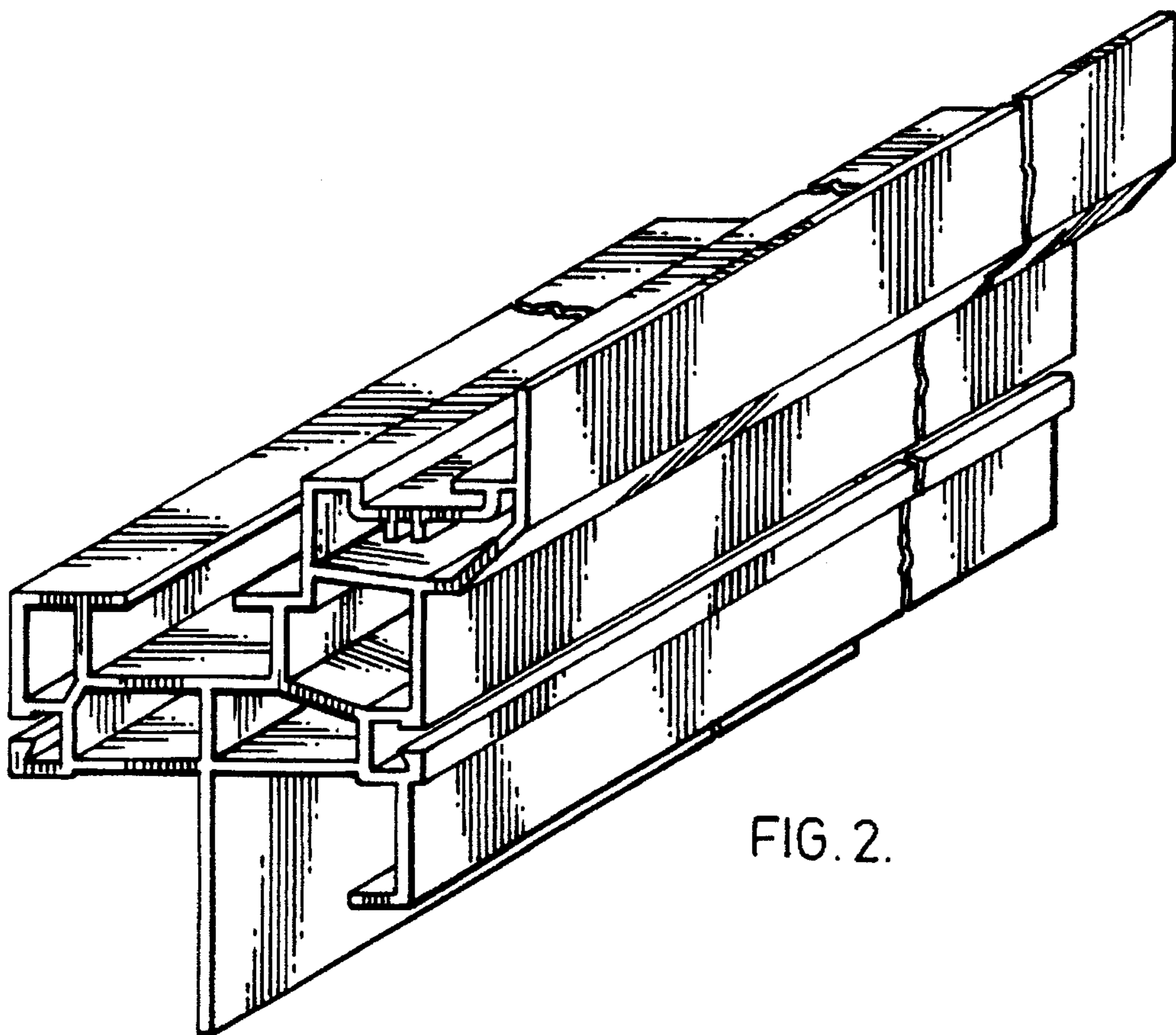


FIG. 2.