



US00D382981S

United States Patent [19]
DiGiorgio

[11] **Patent Number: Des. 382,981**

[45] **Date of Patent: **Aug. 26, 1997**

[54] **FRAME COMPONENT**

Primary Examiner—Doris Clark

[75] **Inventor: Tony DiGiorgio**, Woodbridge, Canada

[57] **CLAIM**

[73] **Assignee: Dominion Plastics Inc.**, Woodbridge, Canada

The ornamental design for a frame component, as shown and described.

[**] **Term: 14 Years**

DESCRIPTION

[21] **Appl. No.: 55,864**

FIG. 1 is a perspective view from one side of the frame component; and,

[22] **Filed: Jun. 14, 1996**

FIG. 2 is a perspective view from the other side of the frame component.

[51] **LOC (6) Cl. 25-01**

[52] **U.S. Cl. D25/124**

[58] **Field of Search D25/60, 52, 124; 52/204.5; 49/501, 504, DIG. 2**

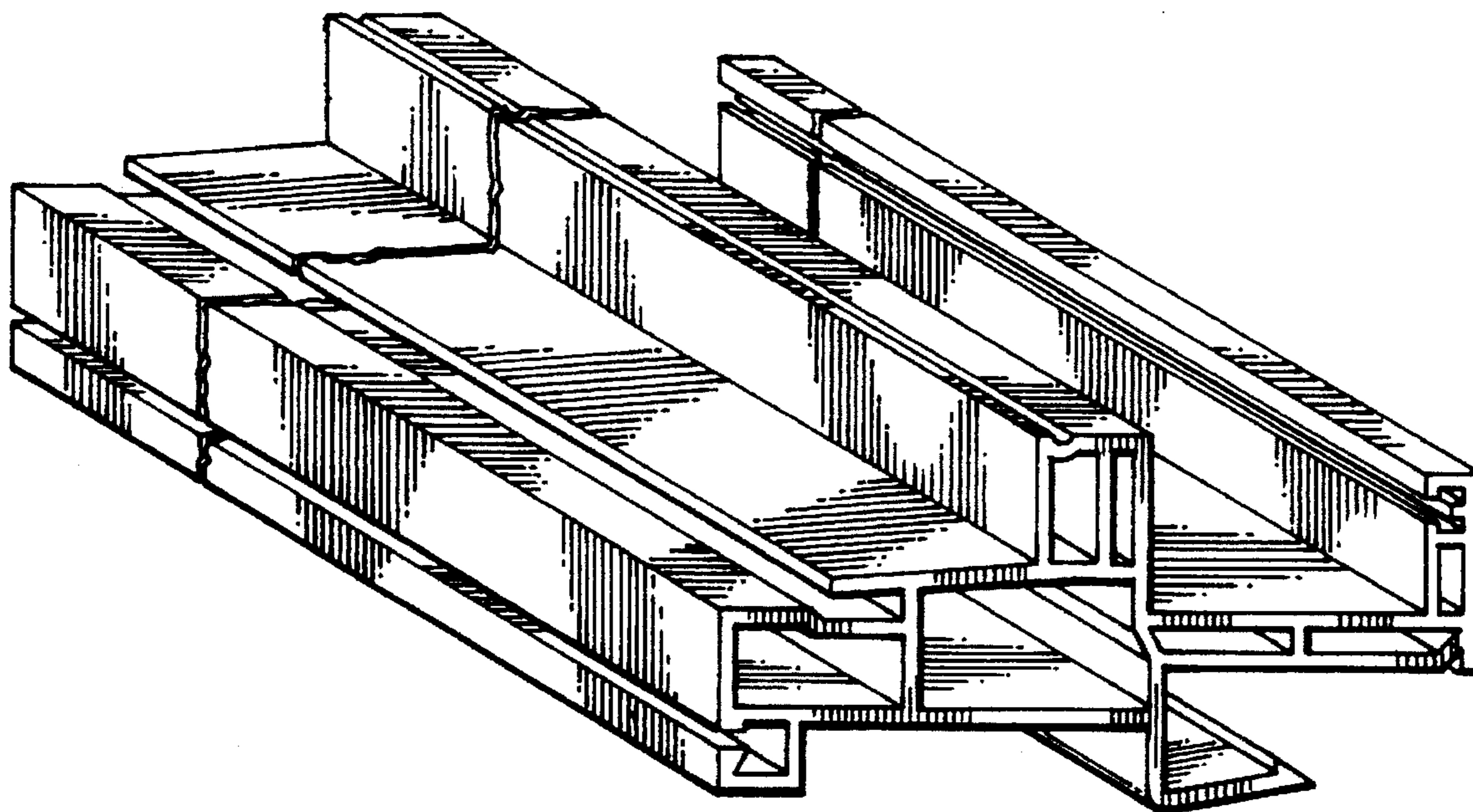
The frame component is broken away on the end to indicate indeterminate length.

[56] **References Cited**

U.S. PATENT DOCUMENTS

D. 346,668 5/1994 Bancroft D25/124

1 Claim, 1 Drawing Sheet



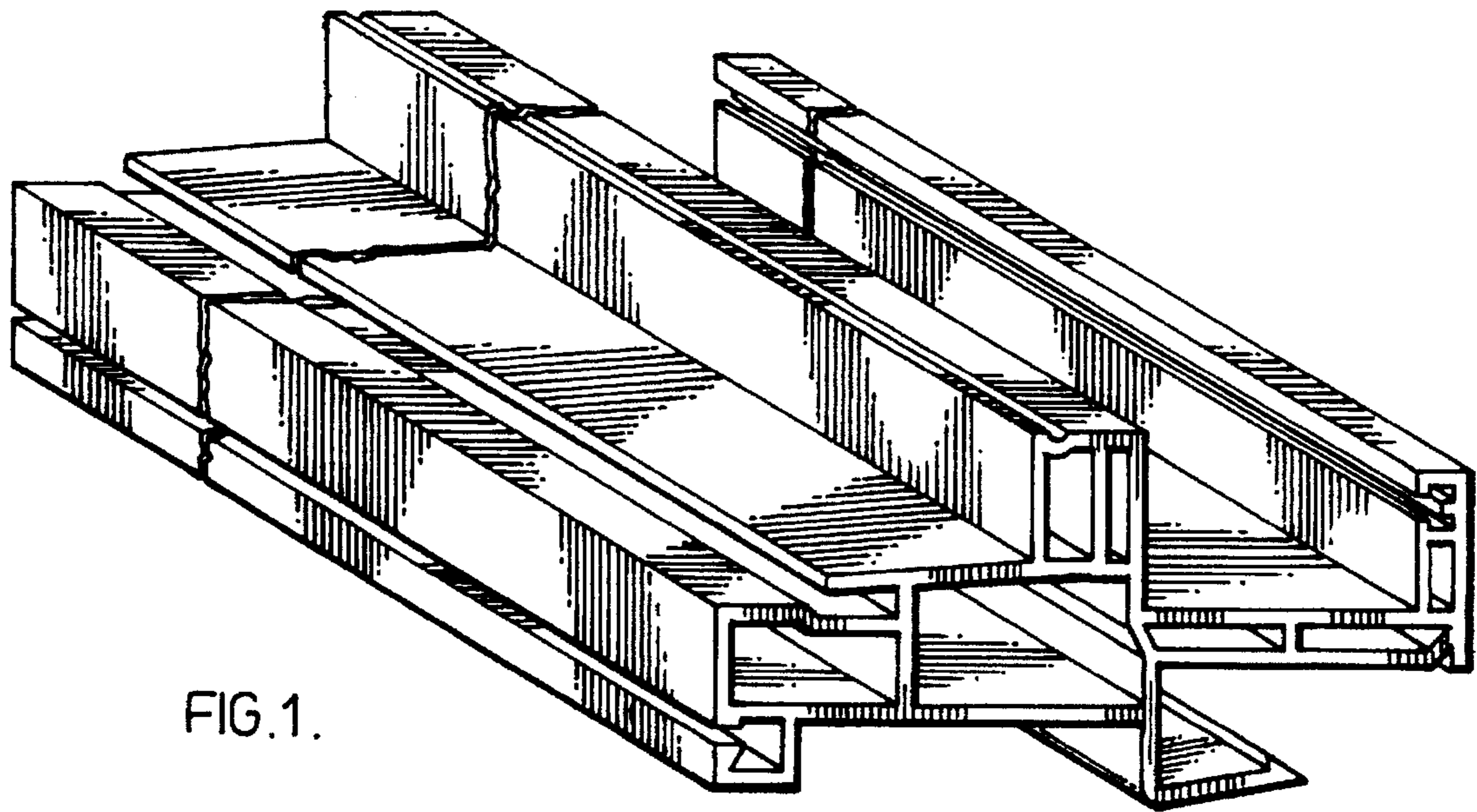


FIG. 1.

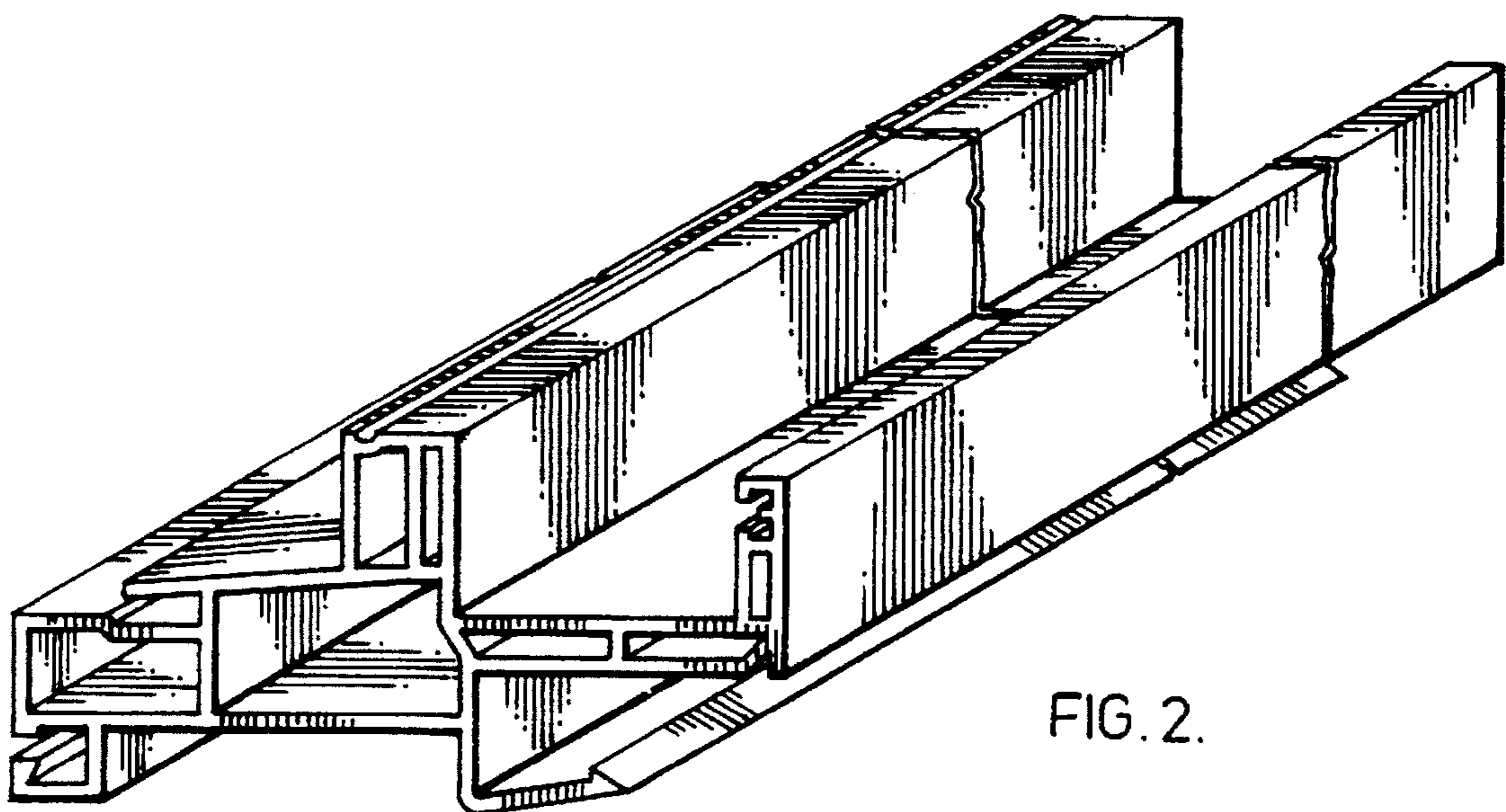


FIG. 2.