



US00D382979S

United States Patent [19]
DiGiorgio

[11] **Patent Number: Des. 382,979**

[45] **Date of Patent: **Aug. 26, 1997**

[54] **MULLION**

5,435,106 7/1995 Carries et al. 52/730.3

[75] **Inventor: Tony DiGiorgio, Woodbridge, Canada**

Primary Examiner—Doris Clark

[73] **Assignee: Dominion Plastics Inc., Woodbridge, Canada**

[57] **CLAIM**

[**] **Term: 14 Years**

The ornamental design for a mullion, as shown and described.

[21] **Appl. No.: 55,170**

[22] **Filed: May 31, 1996**

DESCRIPTION

[51] **LOC (6) Cl. 25-01**

FIG. 1 is a perspective view of the mullion; and,

[52] **U.S. Cl. D25/124**

FIG. 2 is an end view of the mullion.

[58] **Field of Search D25/60, 52, 124; 52/230.3, 204.5; 49/504, 505, DIG. 1, 501**

The mullion is broken away near the end to indicate indeterminate length.

[56] **References Cited**

U.S. PATENT DOCUMENTS

D. 336,141 6/1993 Cole D25/124

1 Claim, 1 Drawing Sheet

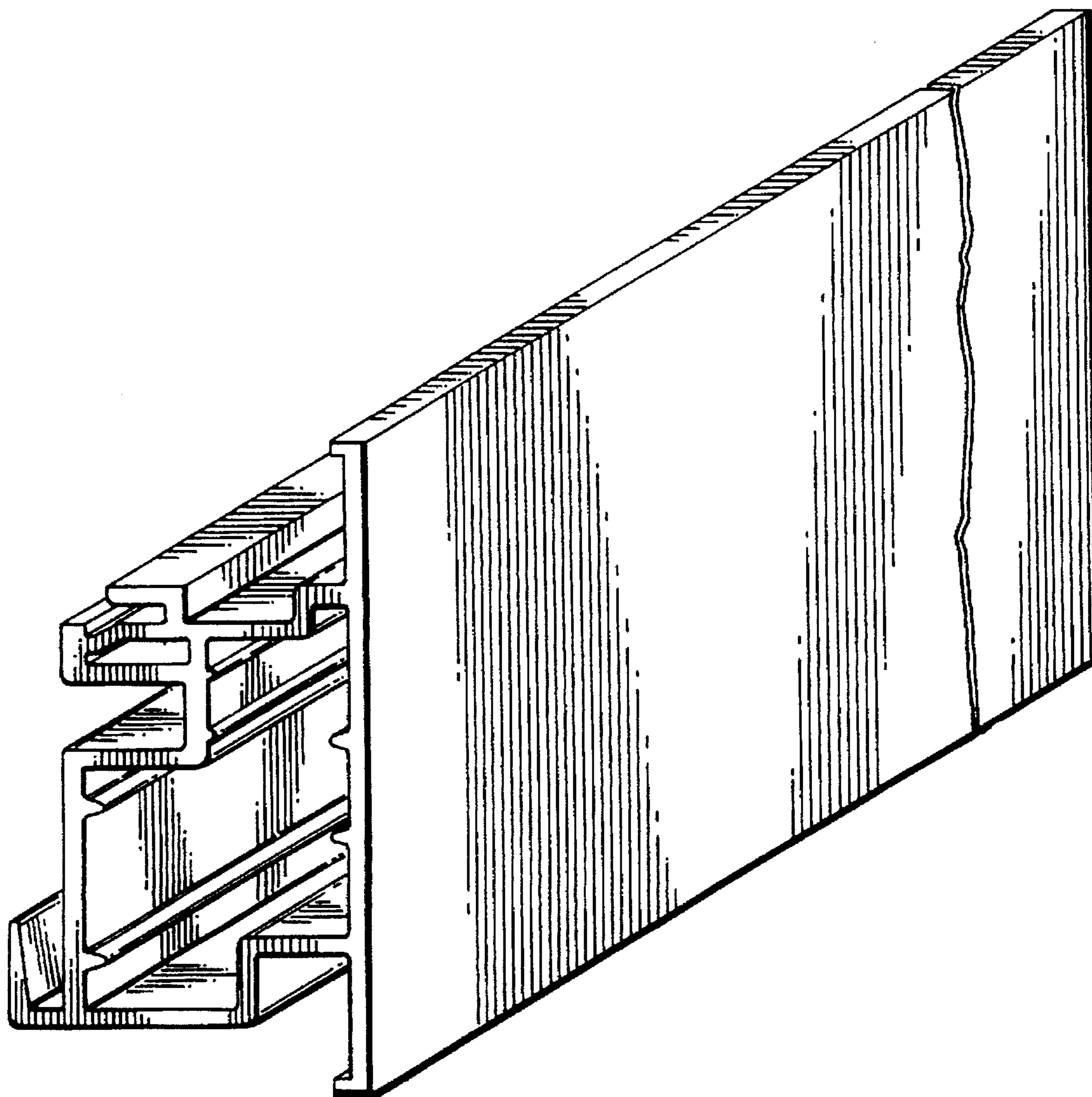


FIG. 1.

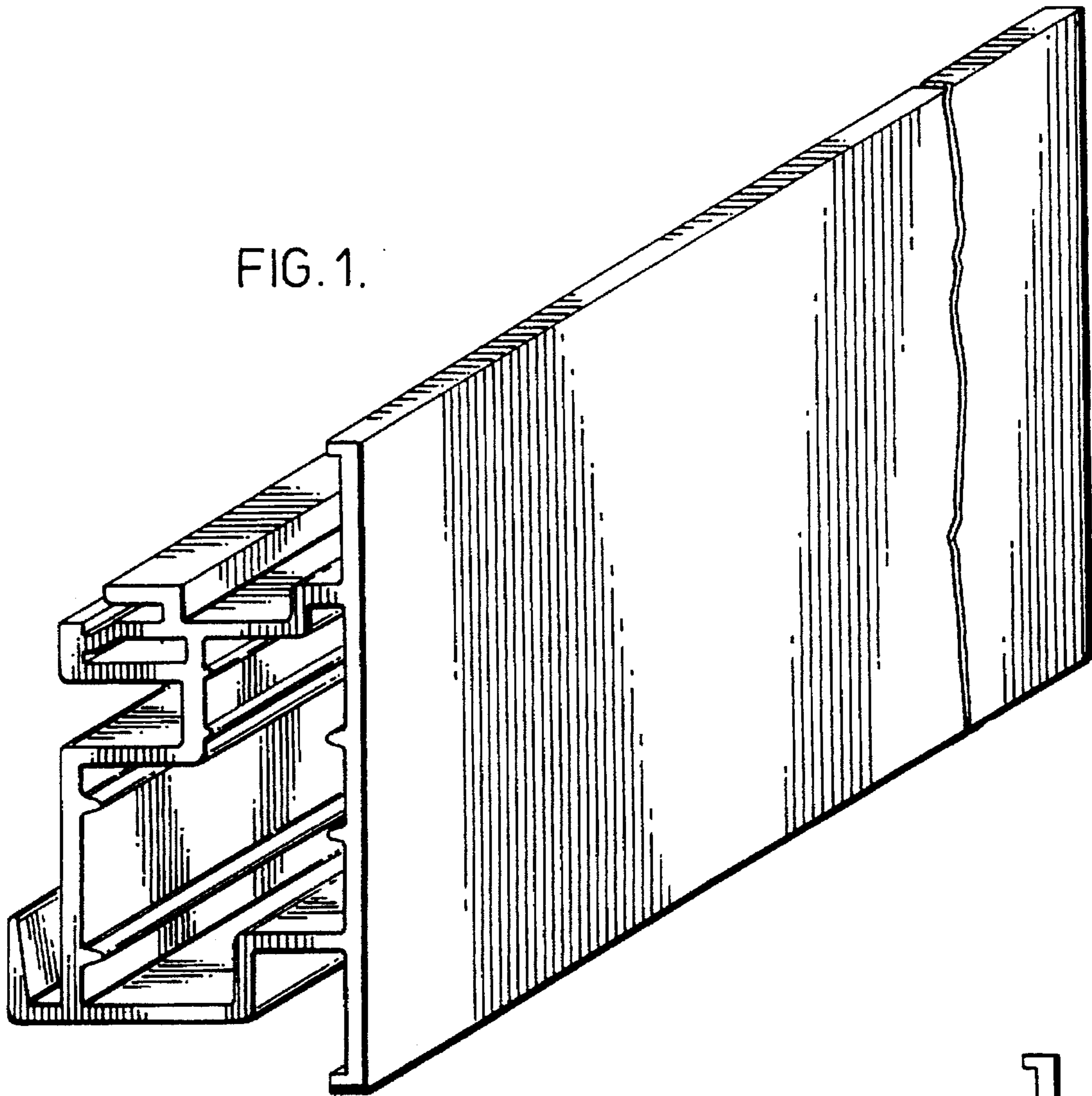


FIG. 2.

